



US00D371346S

United States Patent [19]

[11] Patent Number: **Des. 371,346**

Martino et al.

[45] Date of Patent: ****Jul. 2, 1996**

[54] **COMPUTER WITH INTERGRATED TELEPHONE**

341,583	11/1993	Bevilacqua et al.	D14/115
344,074	2/1994	Collins	D14/106
D. 348,056	6/1994	Savio	D14/144 X

[75] Inventors: **Rocco L. Martino**, Villanova, Pa.;
David Conroy, Brooklyn, N.Y.

Primary Examiner—Freda Nunn
Attorney, Agent, or Firm—Woodcock Washburn Kurtz
Mackiewicz & Norris

[73] Assignee: **PC Phone, Inc.**, Villanova, Pa.

[**] Term: **14 Years**

[57] CLAIM

[21] Appl. No.: **34,032**

The ornamental design for a computer with intergrated telephone, as shown and described.

[22] Filed: **Jan. 25, 1995**

DESCRIPTION

[52] U.S. Cl. **D14/101**; D14/150

[58] Field of Search D14/100, 101,
D14/106, 113, 115, 142, 130, 144, 147,
149, 150, 151; D18/1; 235/145 A, 145 R;
345/104, 156, 168, 173, 901-905, 87; 361/680-686;
364/708.1, 709.04, 709.12; 400/486, 489

FIG. 1 is a front perspective view of a computer with intergrated telephone according to a preferred embodiment of the design;

FIG. 2 is a top view of the embodiment of the design that is depicted in FIG. 1;

FIG. 3 is a rear view of the embodiment of the design that is depicted in FIGS. 1 and 2;

FIG. 4 is a right side view of the embodiment of the design that is depicted in FIGS. 1 through 3;

FIG. 5 is a left side view of the embodiment of the design that is depicted in FIGS. 1 through 4;

FIG. 6 is a front view of the embodiment of the design that is depicted in FIGS. 1 through 5; and,

FIG. 7 is a rear perspective view of the embodiment of the design that is depicted in FIGS. 1 through 6.

The bottom view of the embodiment of the design that is depicted in FIGS. 1-7 is unornamented and is not part of the claimed design.

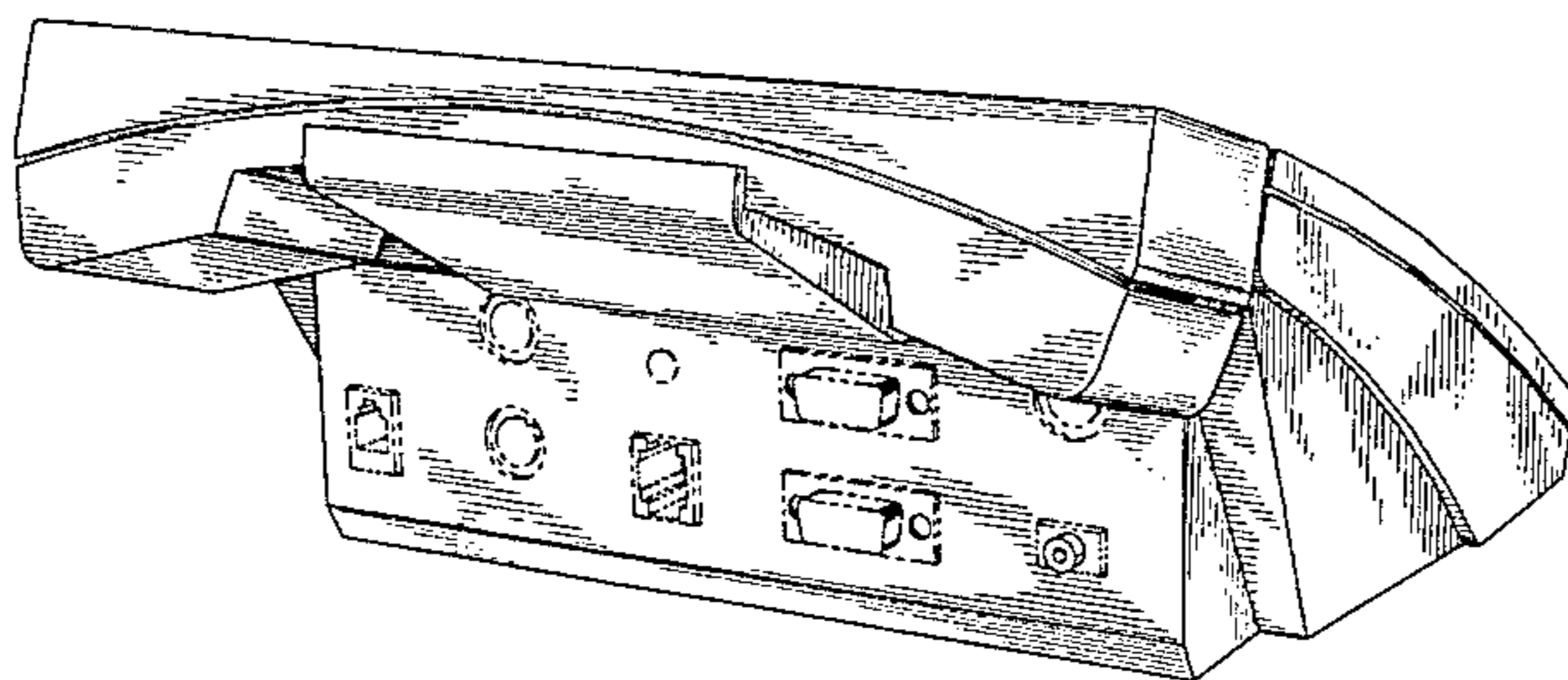
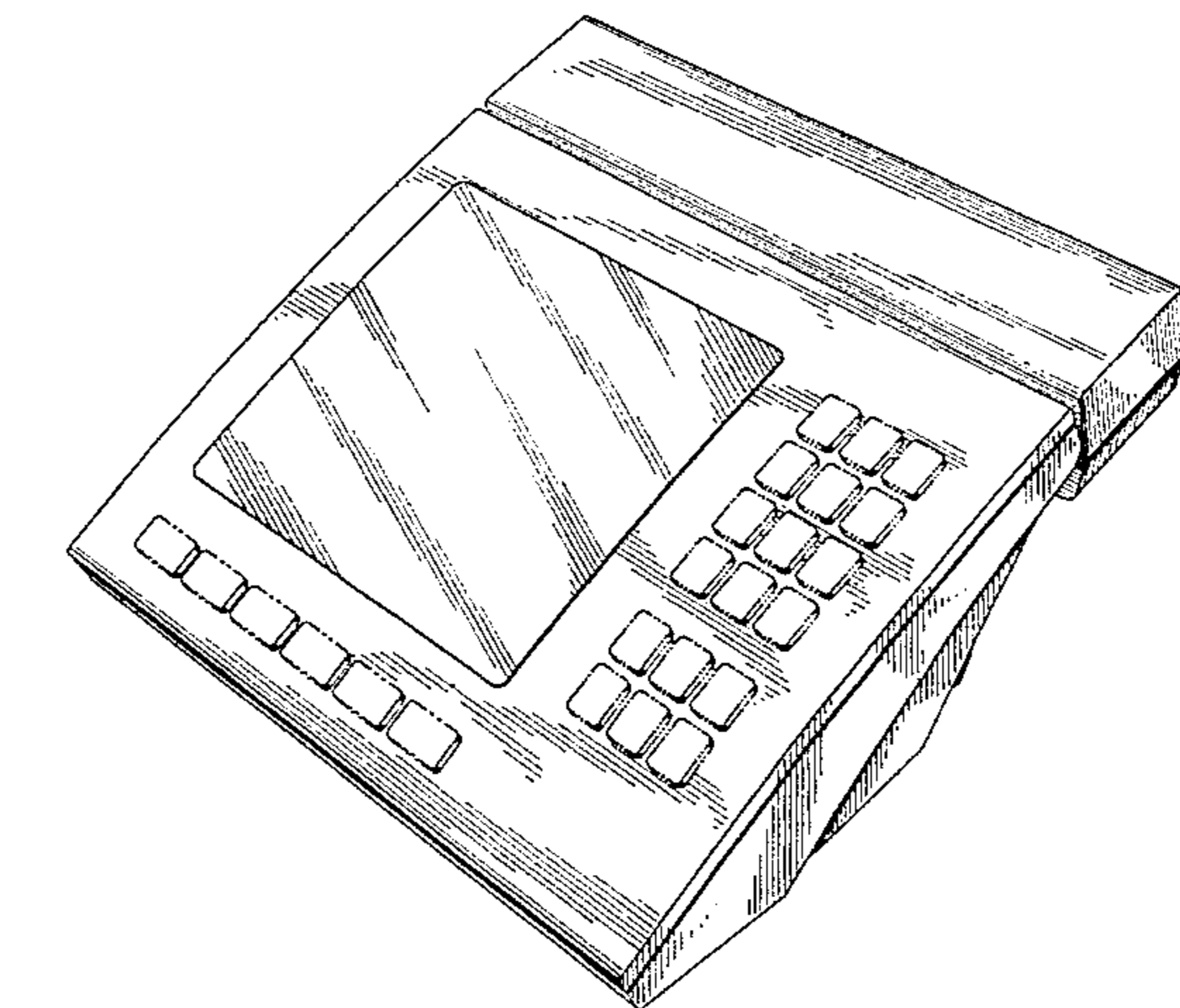
The broken lines are shown in the views for illustrative purposes only and form no part of the claimed design.

[56] References Cited

U.S. PATENT DOCUMENTS

284,193	6/1986	Marshall	D14/101
292,403	10/1987	Renard	D14/101
300,533	4/1989	Oura et al.	D14/101
300,744	4/1989	Oura et al.	D14/101
304,932	12/1989	Oura et al.	D14/101
D. 306,727	3/1990	Fritzsche	D14/149 X
312,457	11/1990	Inatomi	D14/144
D. 313,793	1/1991	Kato	D14/100
315,156	3/1991	Diehl	D14/151
315,347	3/1991	Walker	D14/147
315,721	3/1991	Wright	D14/100
323,156	1/1992	Nishida	D14/101
324,036	2/1992	Wakasa	D14/101
337,570	7/1993	Bevilacqua et al.	D14/101

1 Claim, 7 Drawing Sheets



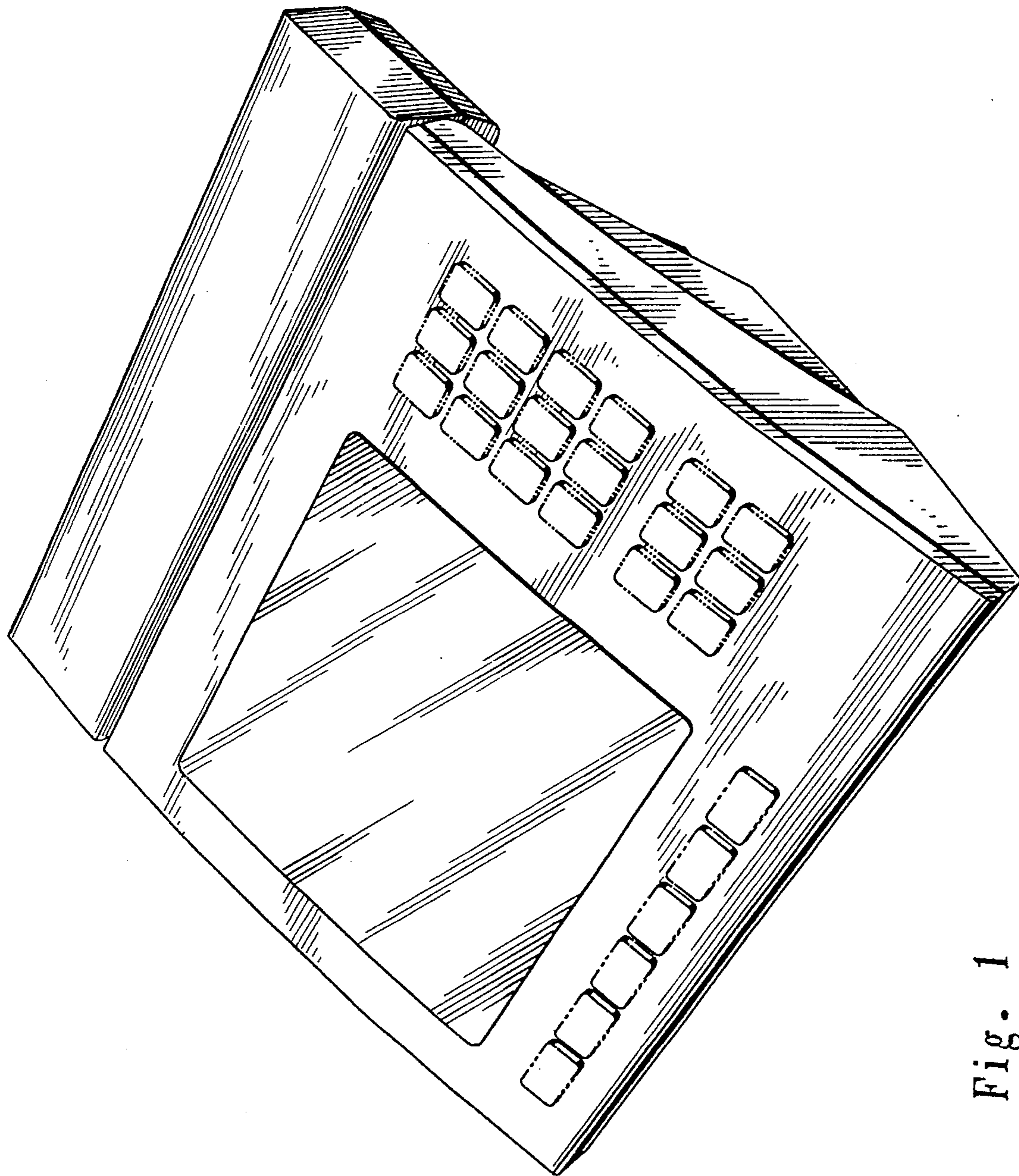


Fig. 1

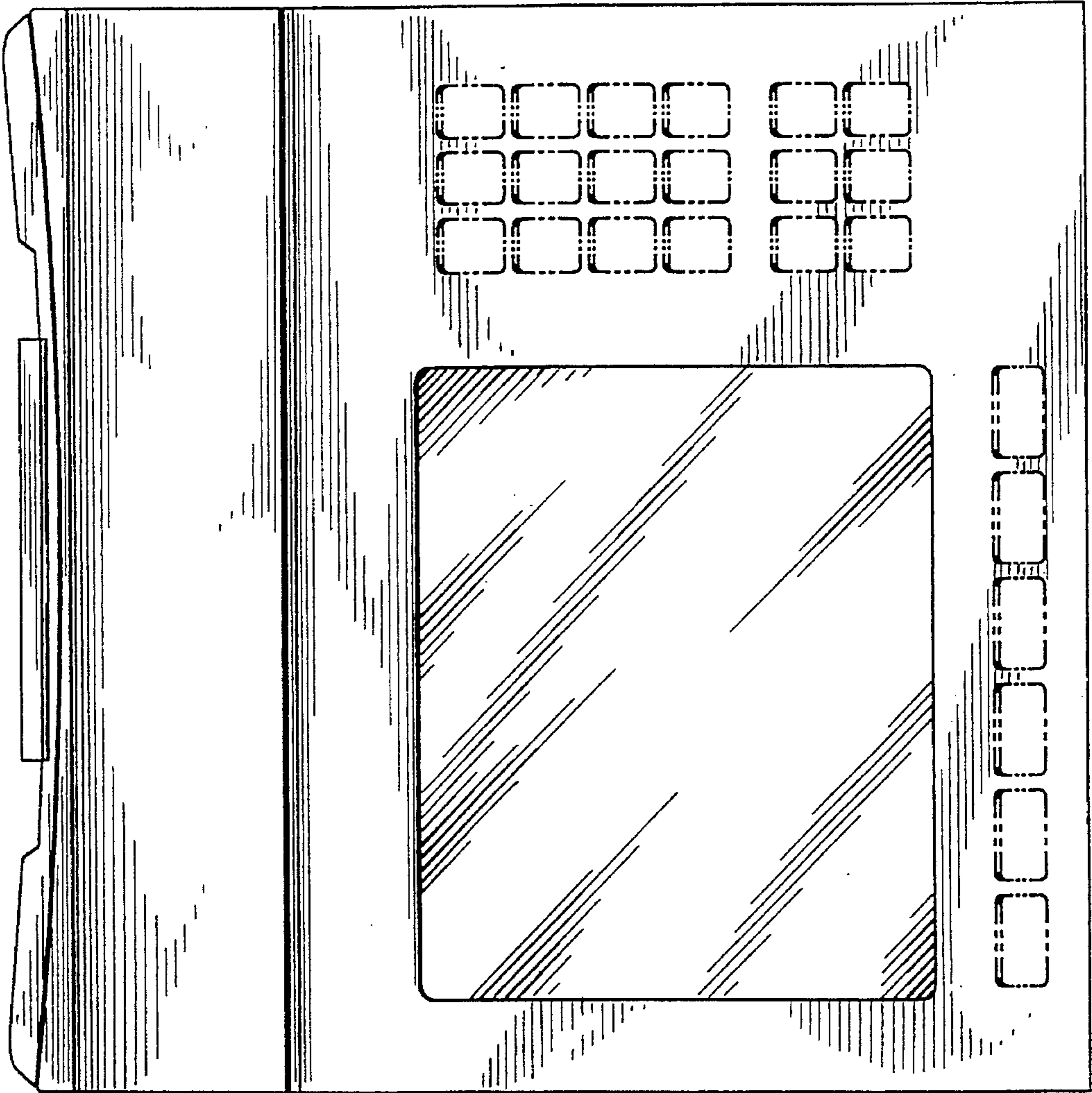


Fig. 2

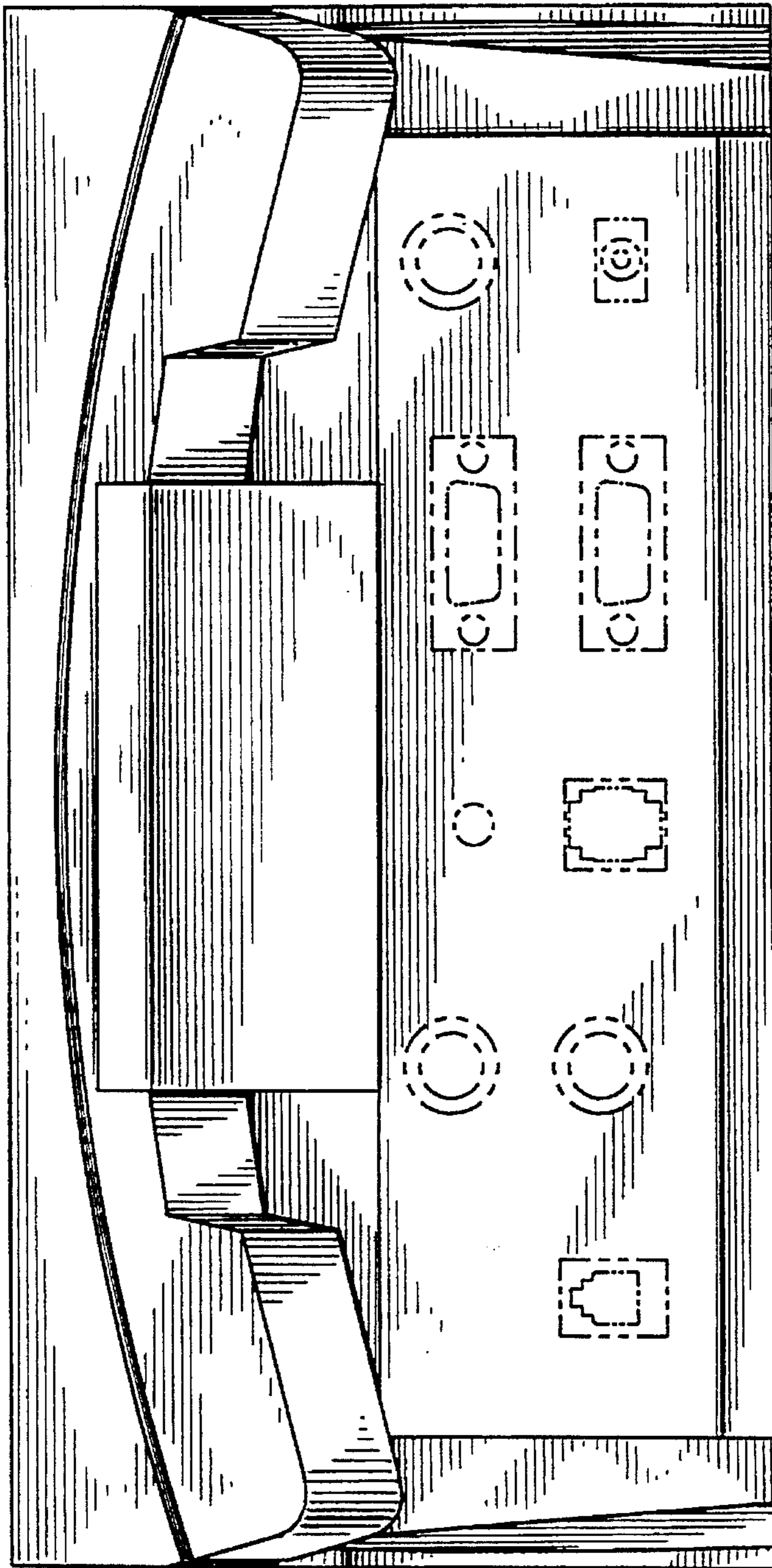


Fig. 3

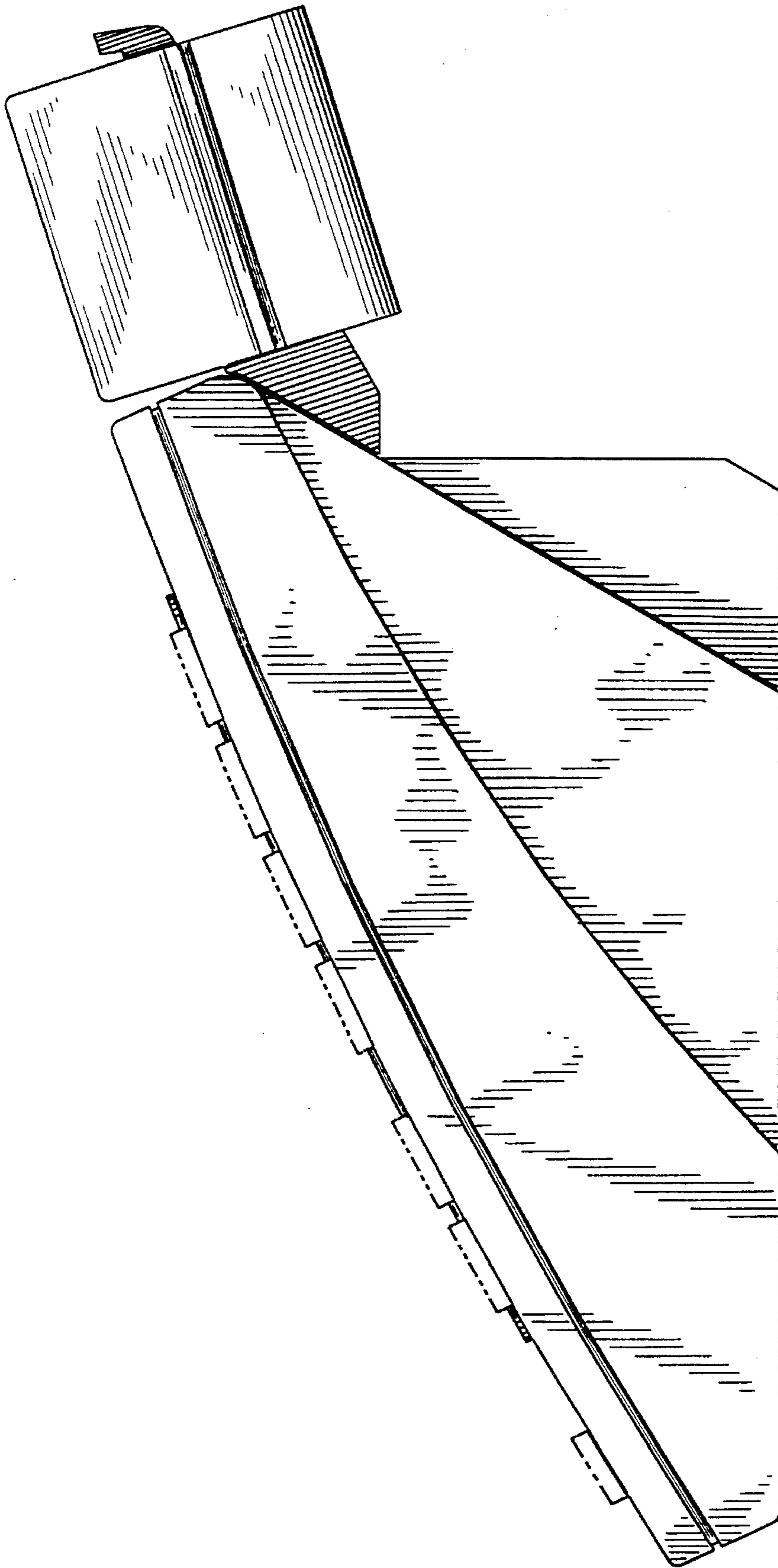


Fig. 4

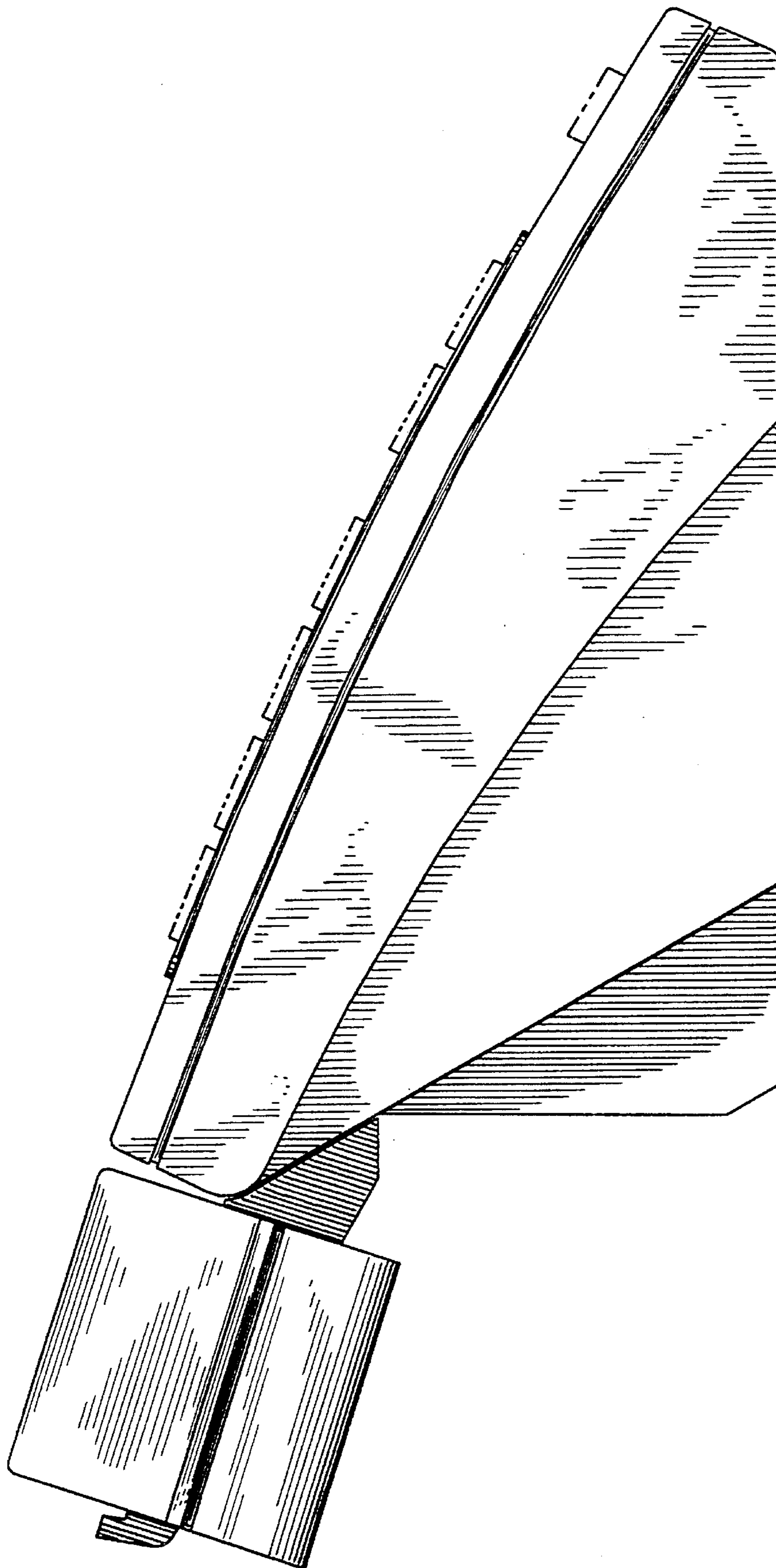


Fig. 5

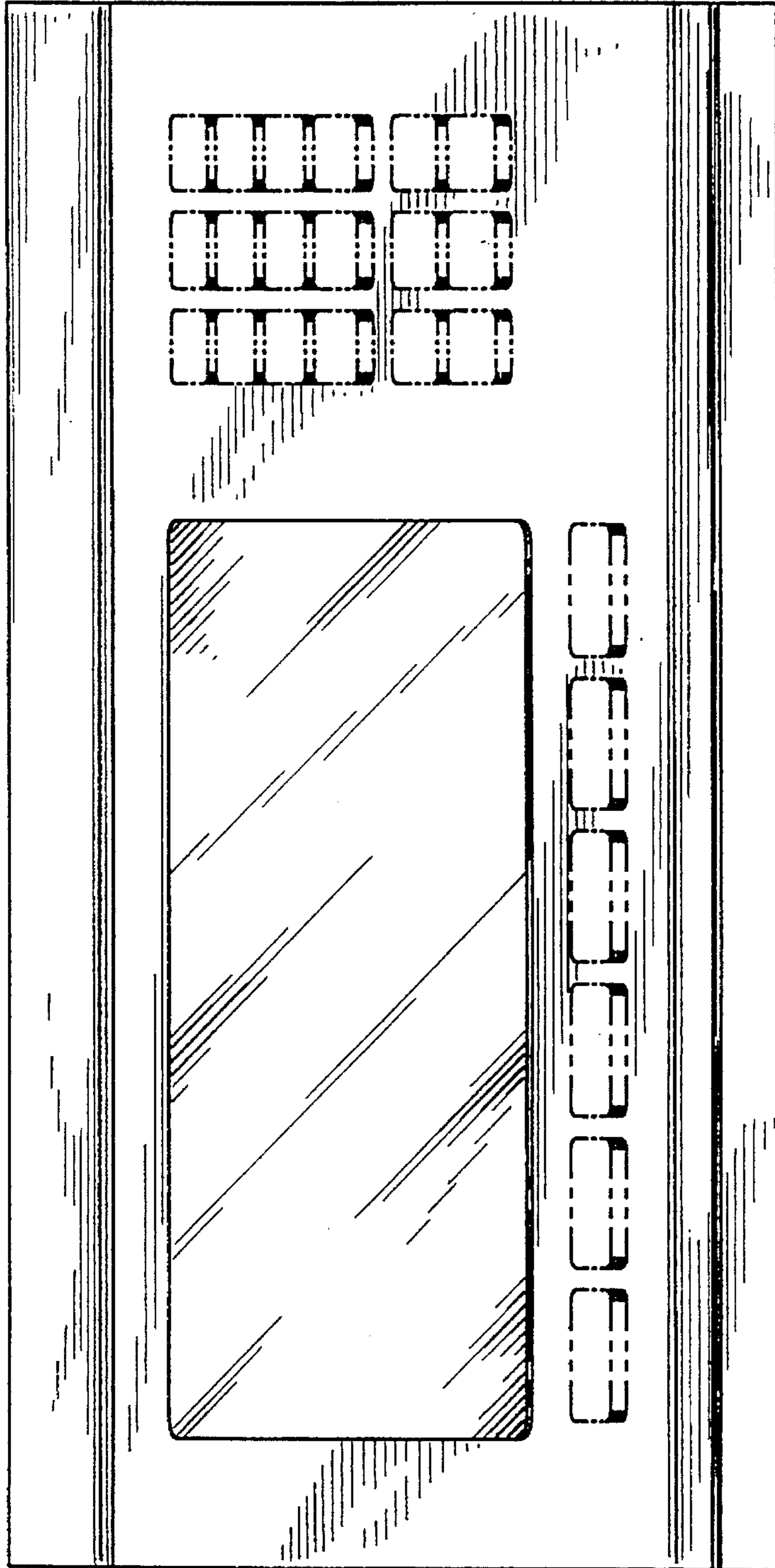


Fig. 6

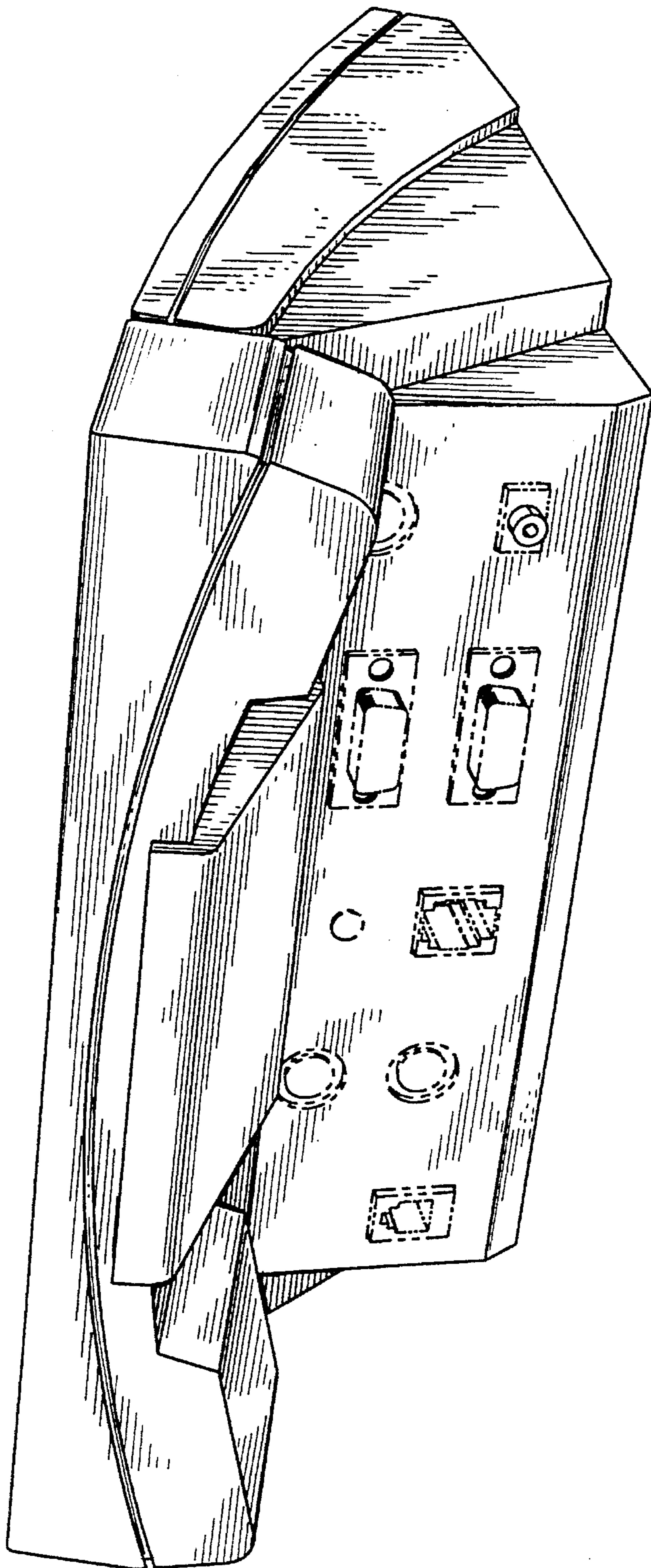


Fig. 7