



US00D371343S

# United States Patent [19]

[11] Patent Number: **Des. 371,343**

Loftus

[45] Date of Patent: **\*\*Jul. 2, 1996**

[54] **CONDUIT FOR MANAGING WIRES**

Attorney, Agent, or Firm—Sanford Astor

[75] Inventor: **John M. Loftus**, Costa Mesa, Calif.

[57] **CLAIM**

[73] Assignee: **Doug Mockett & Company, Inc.**,  
Manhattan Beach, Calif.

The ornamental design for a conduit for managing wires, as shown and described.

[\*\*] Term: **14 Years**

### DESCRIPTION

[21] Appl. No.: **26,608**

[22] Filed: **Aug. 1, 1994**

[52] U.S. Cl. .... **D13/155**

[58] Field of Search ..... **D13/155; D25/136;**  
174/48

FIG. 1 is a cross-sectional perspective view of the conduit for managing wires of my new design showing the environment in broken line;

FIG. 2 is a top plan view thereof;

FIG. 3 is a front elevational view thereof;

FIG. 4 is a bottom plan view thereof, both sides being the same;

FIG. 5 is a rear elevational view thereof;

FIG. 6 is a cross-sectional view thereof shown on an enlarged scale, taken along ling 7—7 of FIG. 5; and,

FIG. 7 is a cross-sectional view thereof shown on an enlarged scale taken on lines 7—7 of FIG. 5 showing the device in the open condition.

The irregular ends in FIGS. 1-5 are intended to indicate an article of undeterminate length.

The broken line showing throughout the views is included for the purpose of illustrating environmental structure only and forms no part of the claimed design.

### [56] References Cited

#### U.S. PATENT DOCUMENTS

D. 295,521	5/1988	Mockett	13/155
D. 314,757	2/1991	Gecchelin	D13/155
D. 330,193	10/1992	Zorndort	13/155
D. 352,791	11/1994	Manaras	D25/136
3,786,171	1/1974	Shira	174/48
5,357,053	10/1994	Manaras	174/48

#### FOREIGN PATENT DOCUMENTS

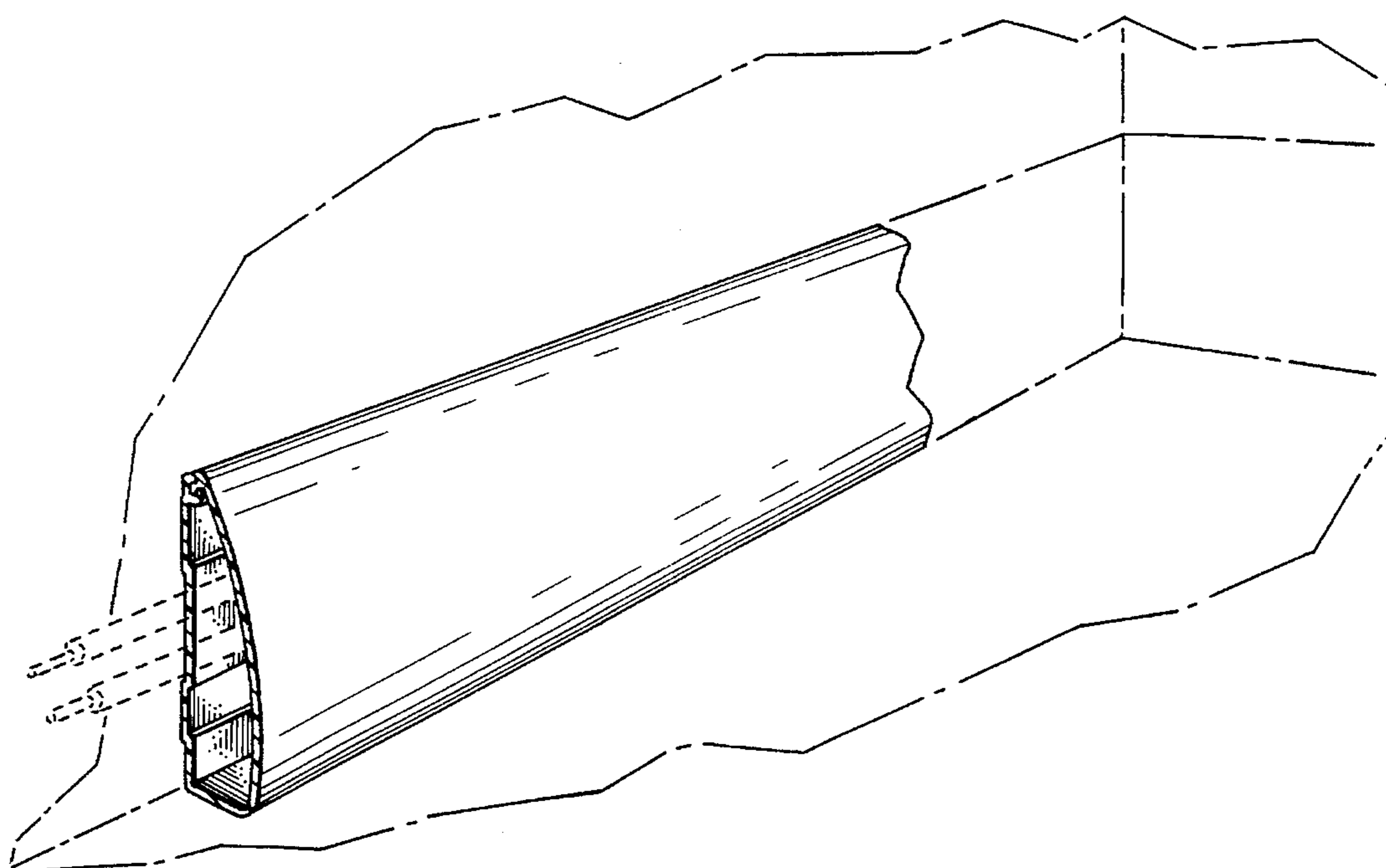
5-49143	2/1993	Japan	174/48
141248	3/1961	U.S.S.R.	174/48
966921	8/1964	United Kingdom	174/48
274954	5/1965	United Kingdom	174/48
1218323	6/1971	United Kingdom	174/48

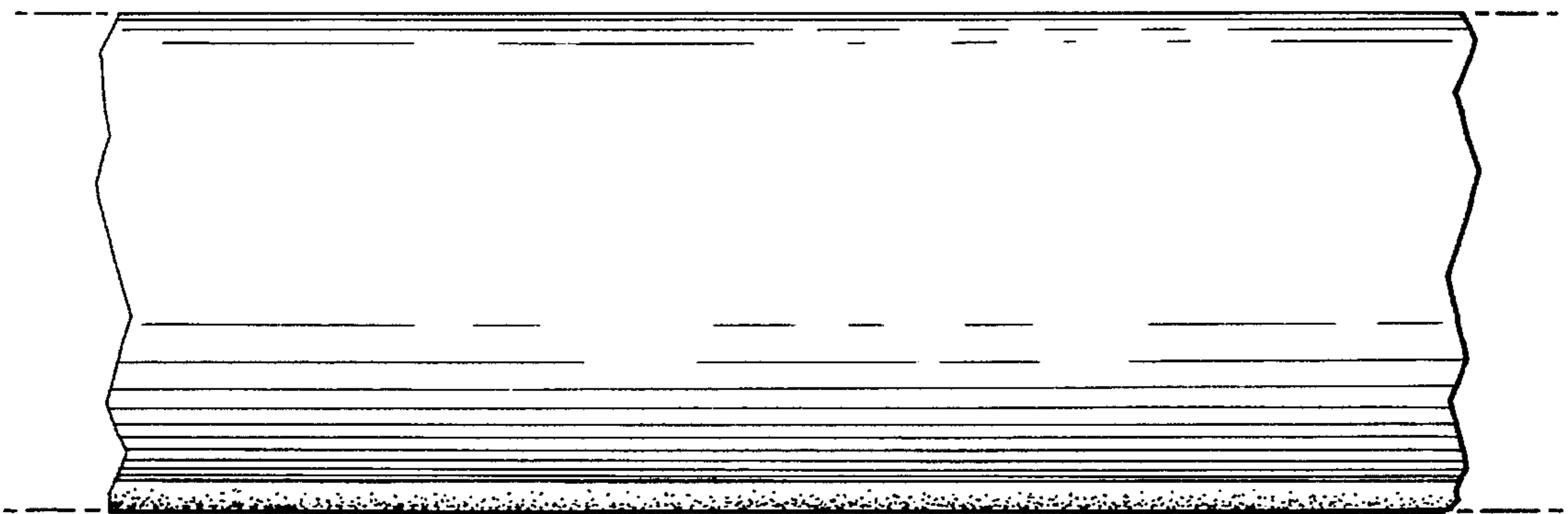
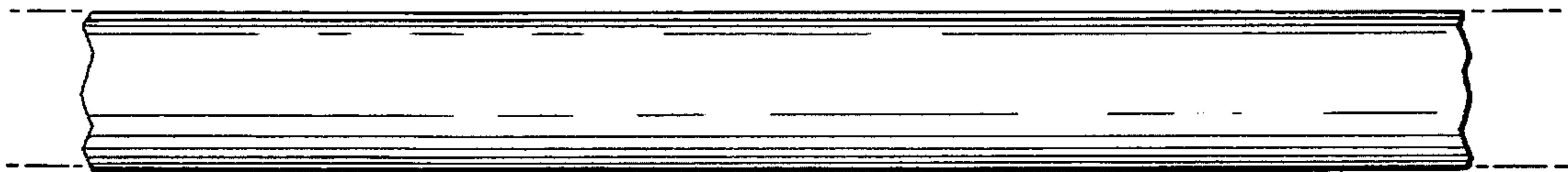
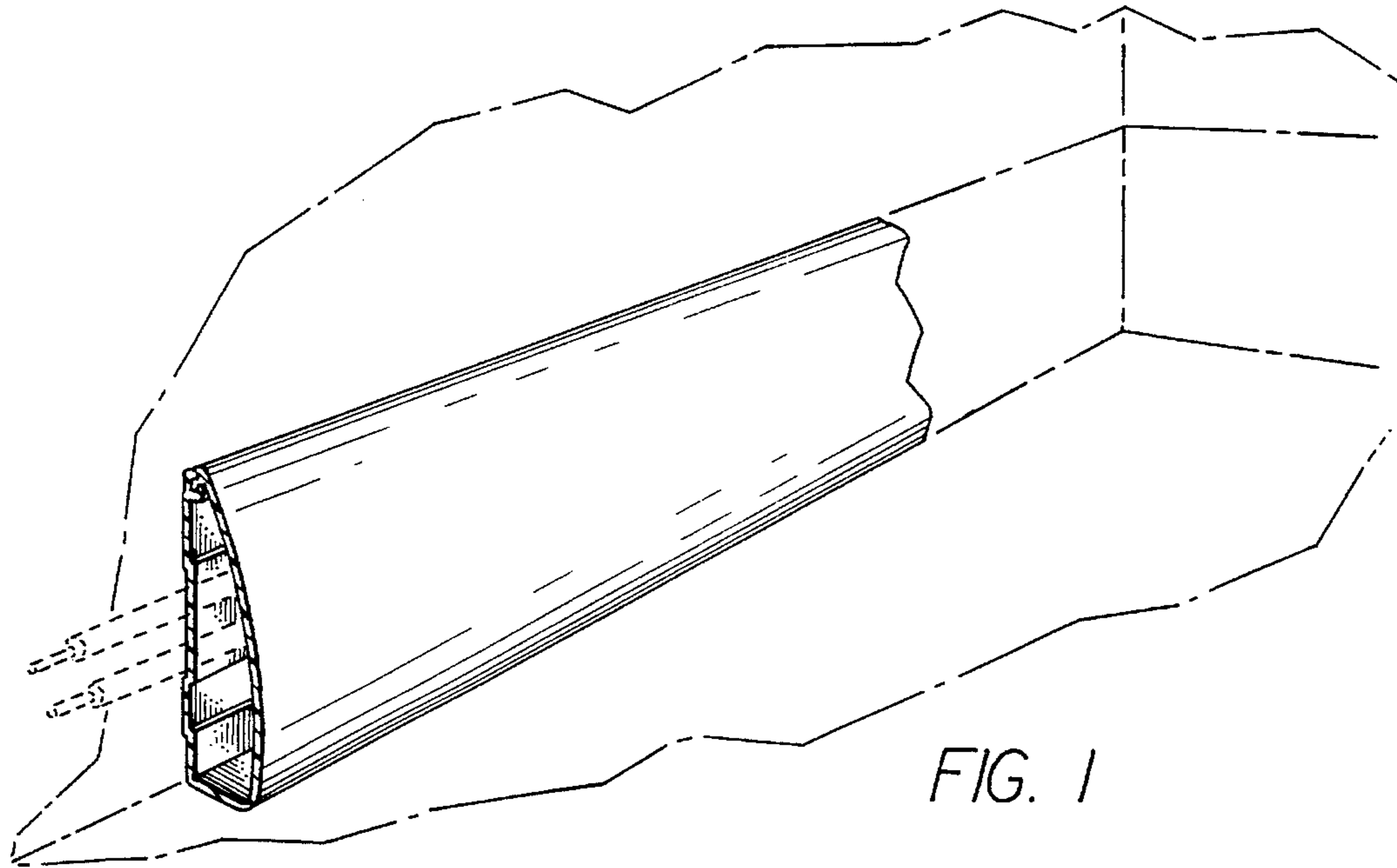
#### OTHER PUBLICATIONS

Casings on p. 10 od *WP/Series Moulding Patterns* publication, 1967.

Primary Examiner—Joel Sincavage

1 Claim, 2 Drawing Sheets





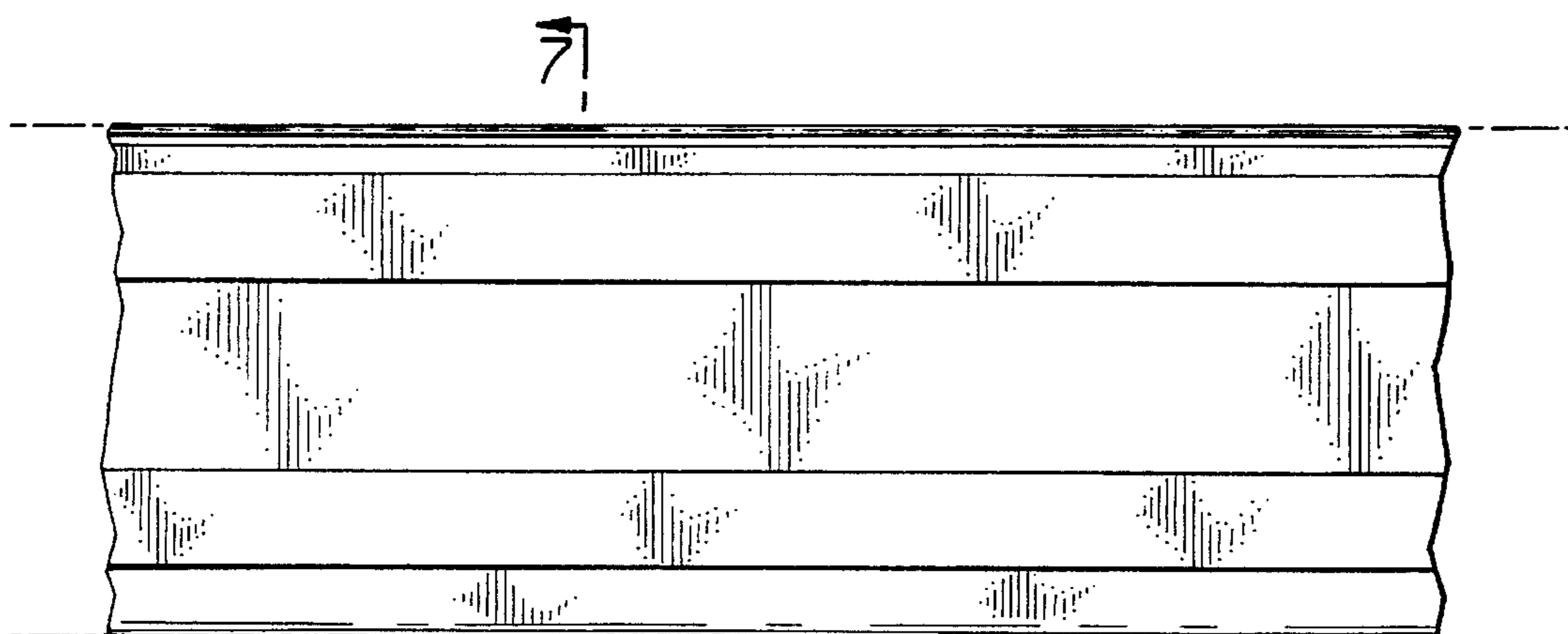


FIG. 5

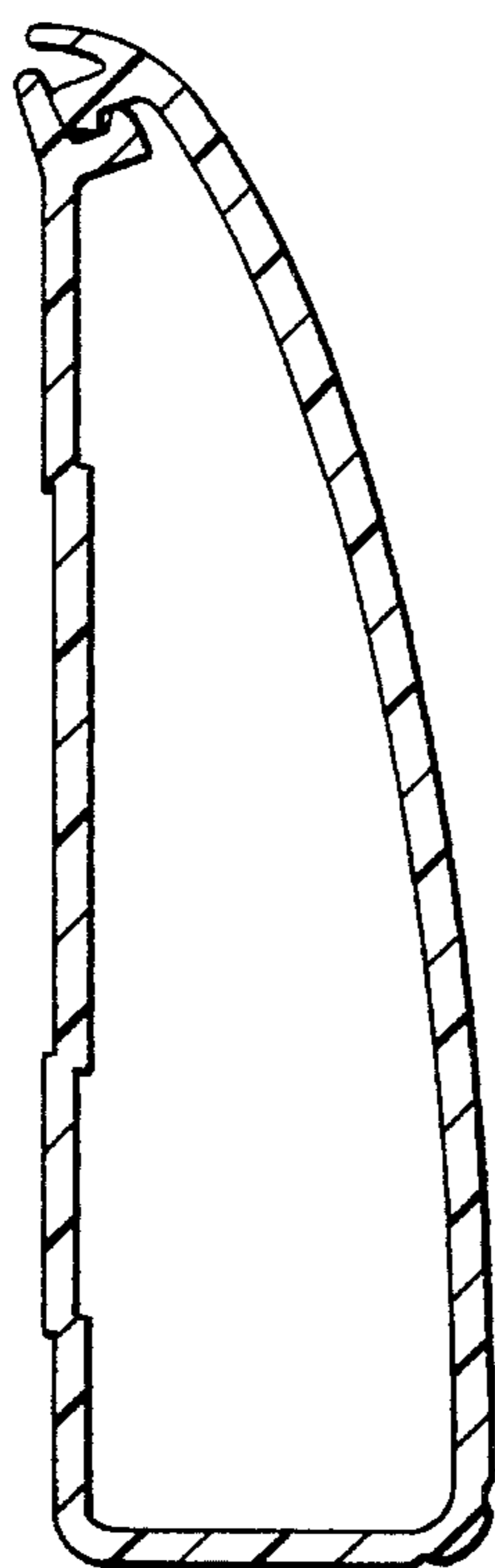


FIG. 6

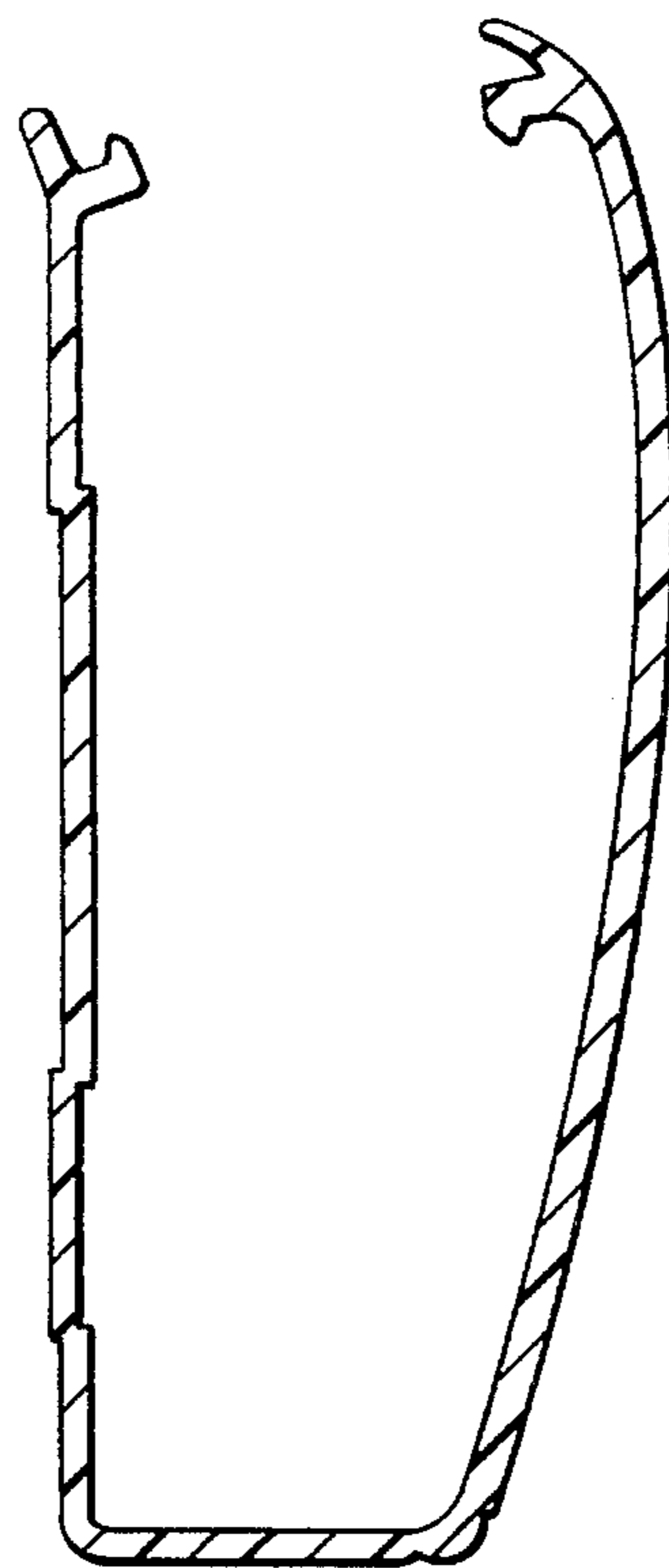


FIG. 7