



US00D371342S

**United States Patent** [19]  
**Lundbäck**

[11] **Patent Number: Des. 371,342**

[45] **Date of Patent: \*\*Jul. 2, 1996**

[54] **COAXIAL COUPLING FOR RADIO,  
TELEVISION AND CORDLESS TELEPHONE  
TRANSMITTERS**

D. 342,054	12/1993	Woodman	.....	D13/146
4,592,616	6/1986	Drew et al.	.....	439/578
5,041,004	8/1991	Waldorf	.....	439/306
5,137,470	8/1992	Doles	.....	439/578

[75] Inventor: **Hans O. Lundbäck**, Markaryd, Sweden

**FOREIGN PATENT DOCUMENTS**

[73] Assignee: **Teracom Components AB**, Horby, Sweden

1259984 2/1968 Germany ..... 439/20

[\*\*] Term: **14 Years**

*Primary Examiner*—Joel Sincavage

[21] Appl. No.: **38,649**

[57] **CLAIM**

[22] Filed: **May 10, 1995**

The ornamental design for a coaxial coupling for radio, television and cordless telephone transmitters, as shown and described.

[30] **Foreign Application Priority Data**

**DESCRIPTION**

Dec. 7, 1994 [SE] Sweden ..... 94-2463

[52] **U.S. Cl.** ..... **213/151**

[58] **Field of Search** ..... D13/133, 146,  
D13/151; 439/20, 22, 306, 578, 583, 805

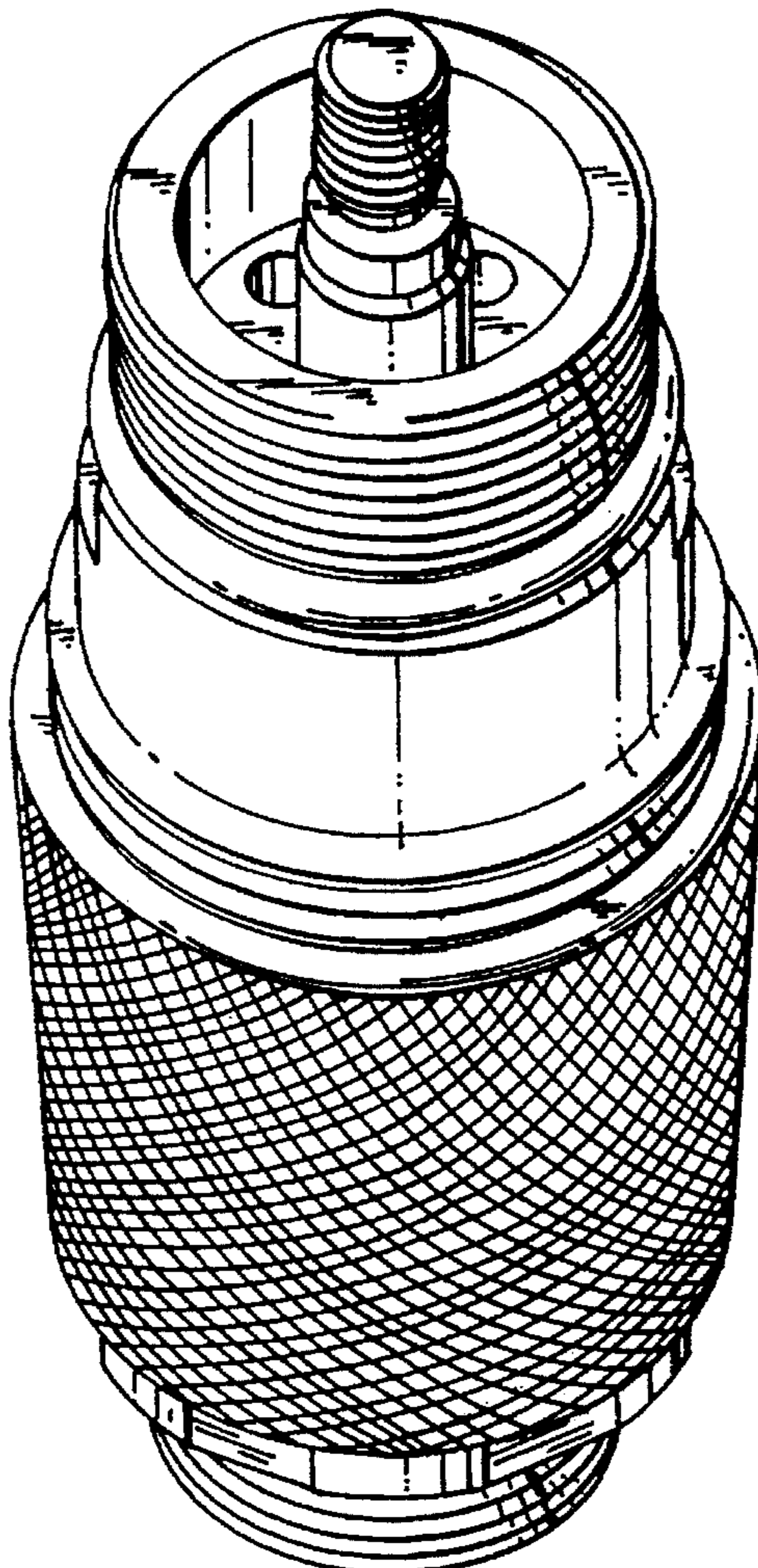
FIG. 1 is a perspective view of the coaxial coupling;  
FIG. 2 is an elevational view of the coaxial coupling;  
FIG. 3 is a bottom plan view of the coaxial coupling;  
FIG. 4 is a top plan view of the coaxial coupling.

[56] **References Cited**

**U.S. PATENT DOCUMENTS**

D. 333,511 2/1993 Mikiya et al. .... D13/151 X

**1 Claim, 3 Drawing Sheets**



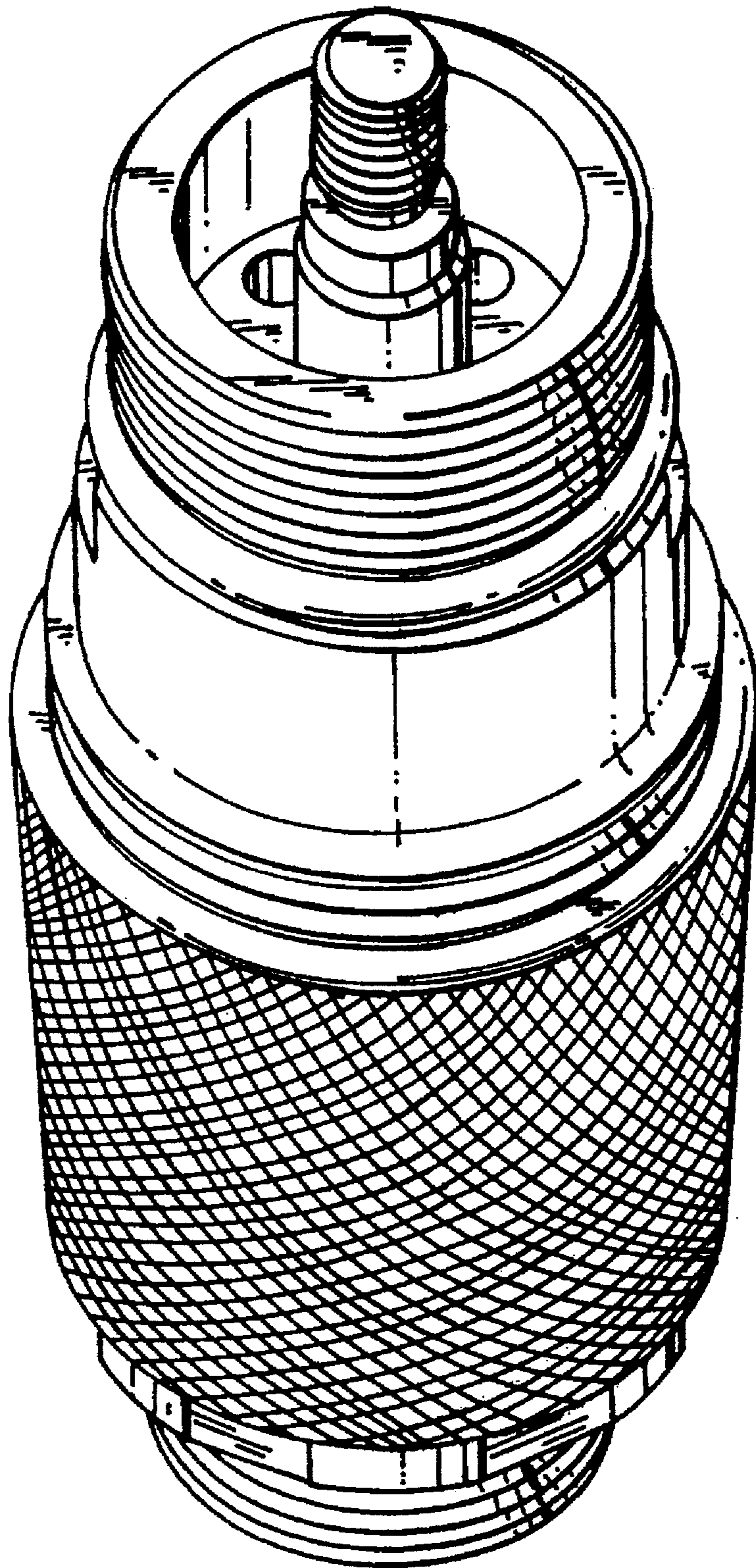


FIG. 1

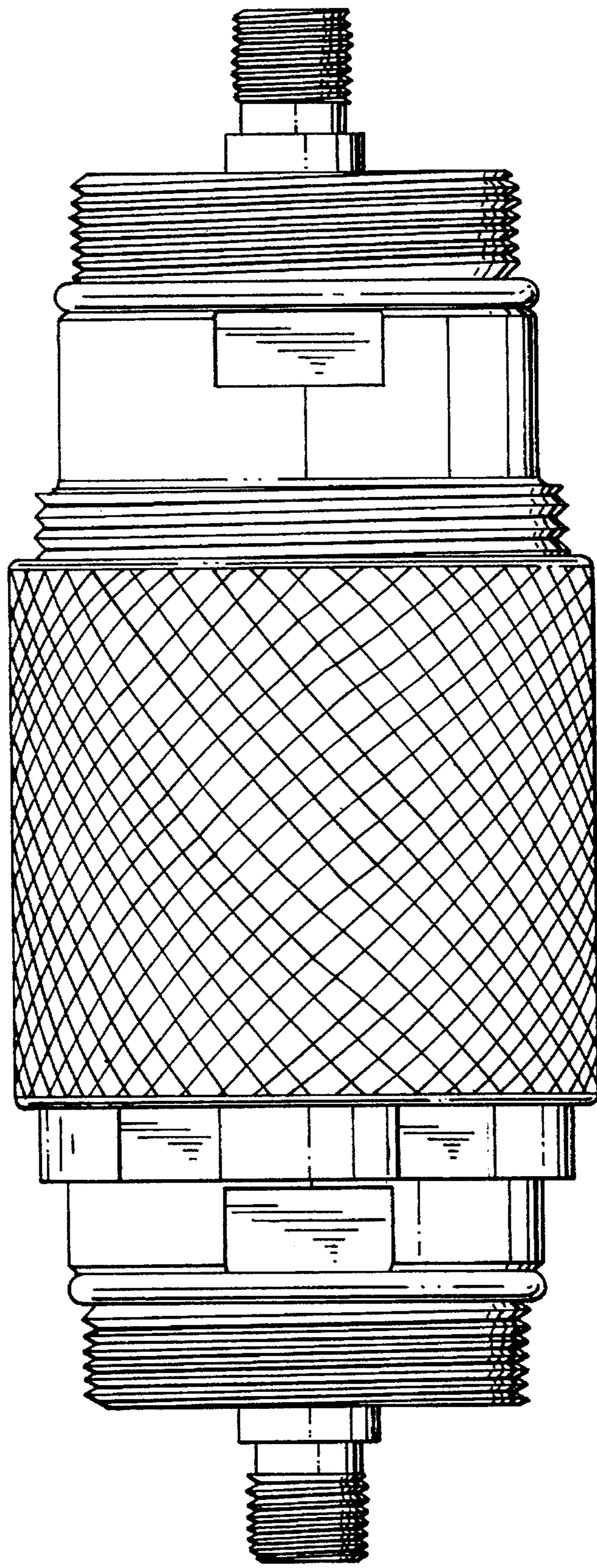


FIG. 2

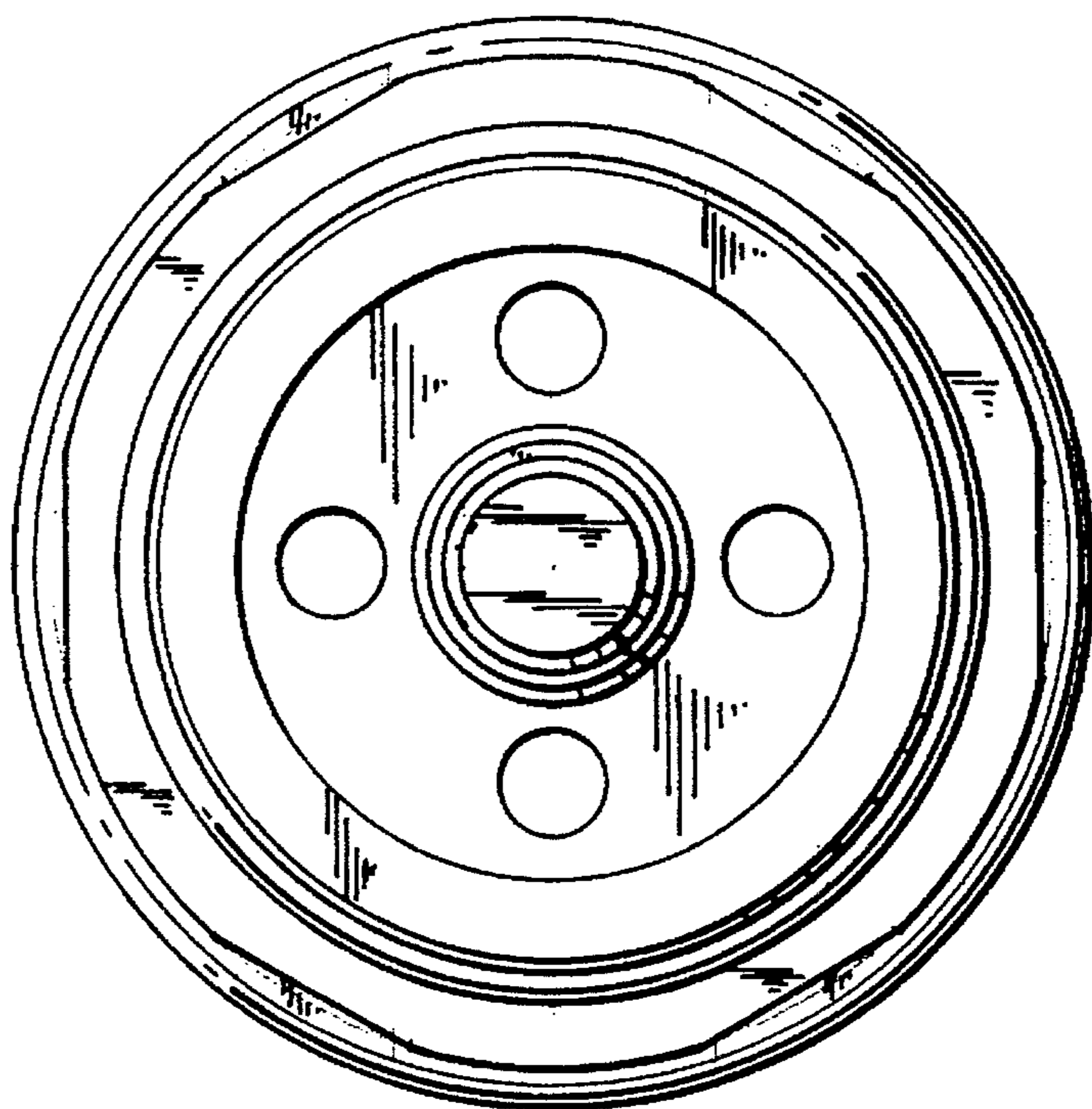


FIG. 3

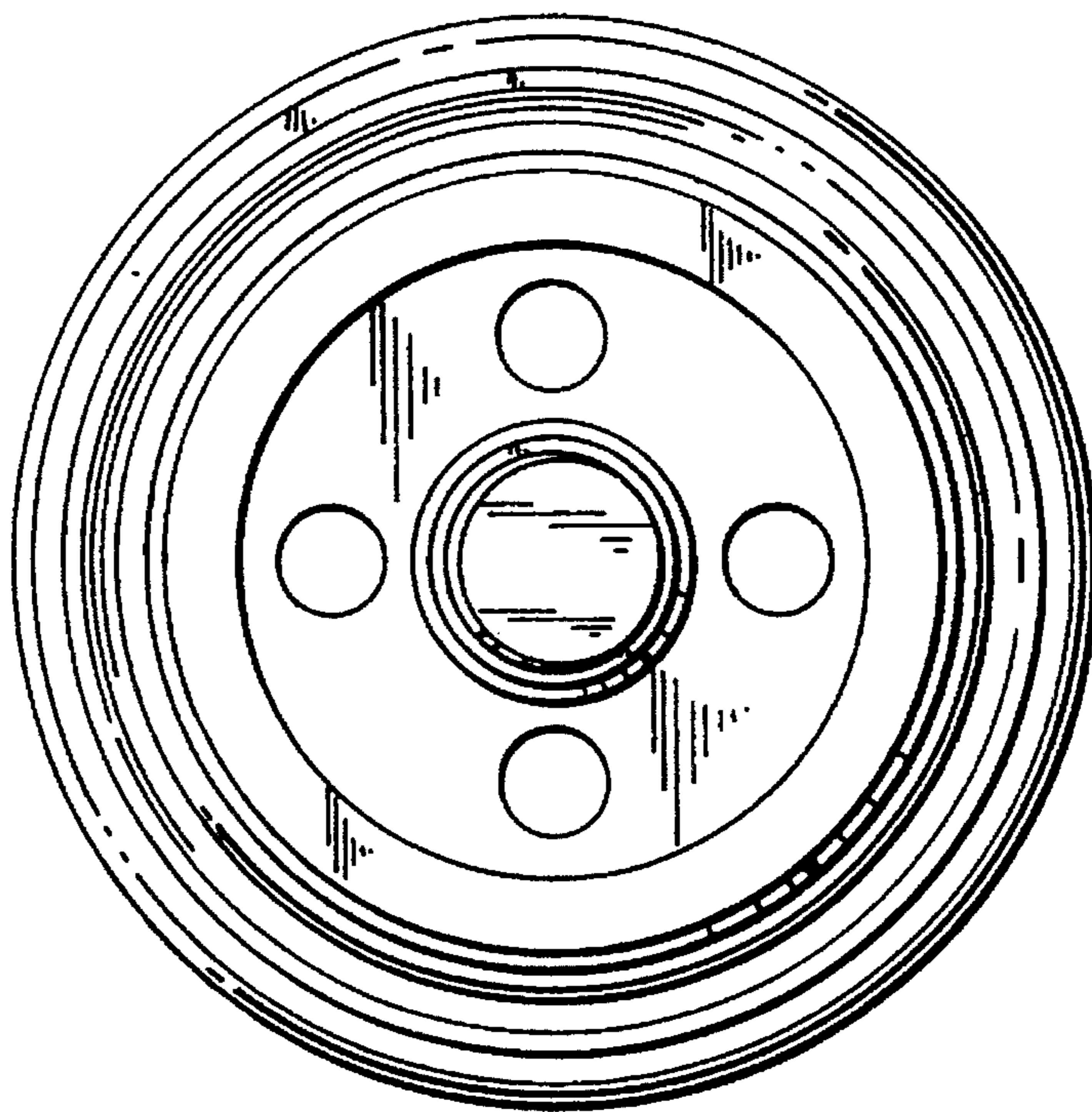


FIG. 4