



US00D371340S

# United States Patent [19]

Suzuki et al.

[11] Patent Number: **Des. 371,340**

[45] Date of Patent: **\*\*Jul. 2, 1996**

[54] **RF SEPARATOR**

[75] Inventors: **Masakazu Suzuki; Tatsuo Kato; Toshifumi Nakakuki**, all of Tokyo, Japan

[73] Assignees: **Sony Corporation; SMK Corporation**, both of Tokyo, Japan

[\*\*] Term: **14 Years**

[21] Appl. No.: **20,792**

[22] Filed: **Feb. 22, 1994**

### [30] Foreign Application Priority Data

Oct. 1, 1993 [JP] Japan ..... 5-29508

[52] U.S. Cl. .... **D13/123; D13/133**

[58] Field of Search ..... **D13/179; 257/706, 257/707, 718, 719, 720, 721, 722; 361/704, 709, 710, 718; 165/180, 185**

### [56] References Cited

#### U.S. PATENT DOCUMENTS

3,777,219 12/1973 Winters ..... 333/260 X

4,855,611 8/1989 Isobe et al. .... D13/146 X  
4,984,990 1/1991 Lindahl ..... 439/581 X  
5,043,696 8/1991 Wang ..... 333/260 X

*Primary Examiner*—Joel Sincavage  
*Attorney, Agent, or Firm*—Nikaido Marmelstein Murray & Oram

### [57] CLAIM

The ornamental design for RF separator, as shown and described.

### DESCRIPTION

FIG. 1 is a perspective view of the RF separator showing my new design;  
FIG. 2 is a front elevational view thereof;  
FIG. 3 is a rear elevational view thereof;  
FIG. 4 is a top plan view thereof;  
FIG. 5 is a bottom plan view thereof;  
FIG. 6 is a left side elevational view thereof; and  
FIG. 7 is a right side elevational view thereof; and  
FIG. 8 is a front and lower right perspective view thereof.

1 Claim, 3 Drawing Sheets

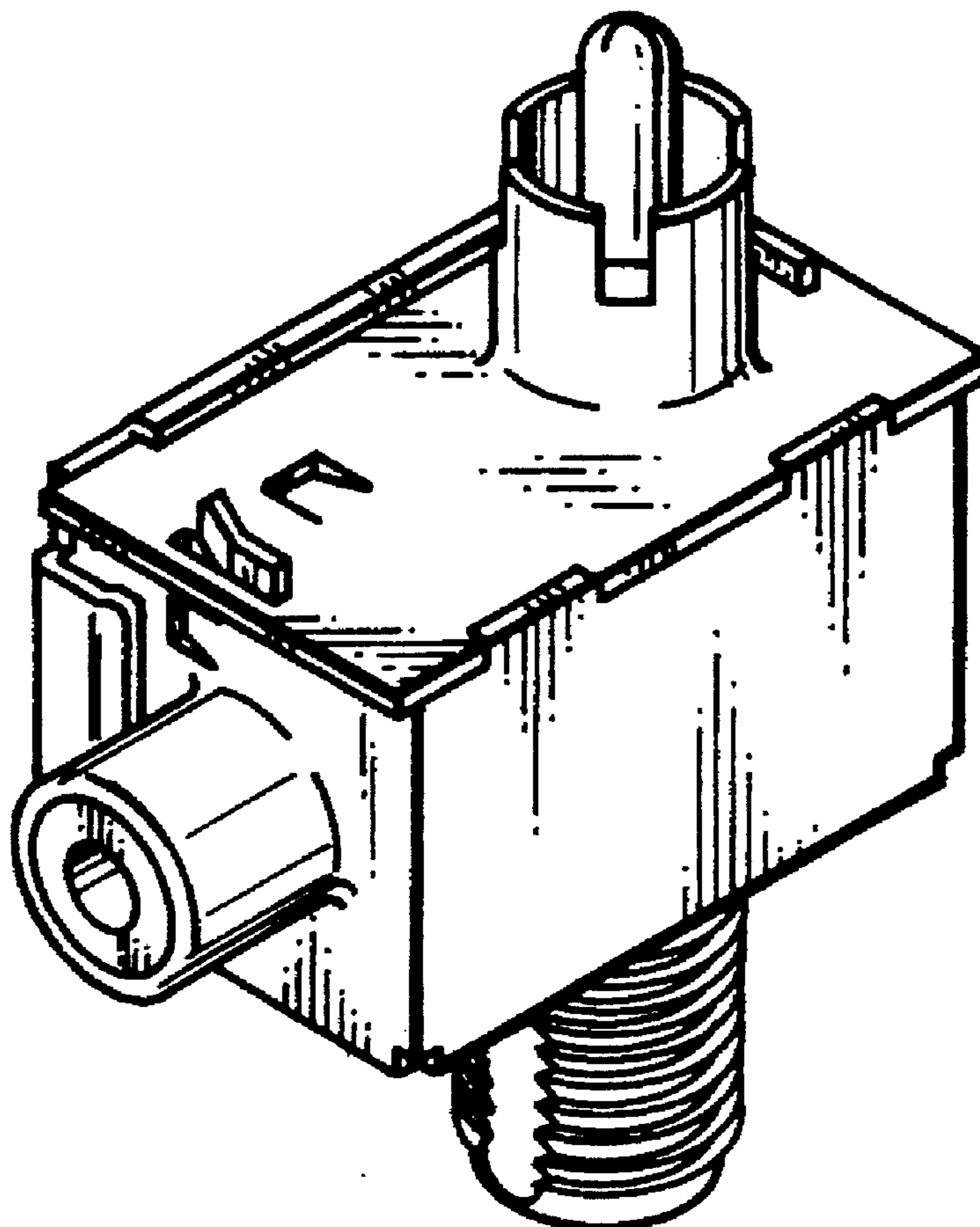


FIG. 1

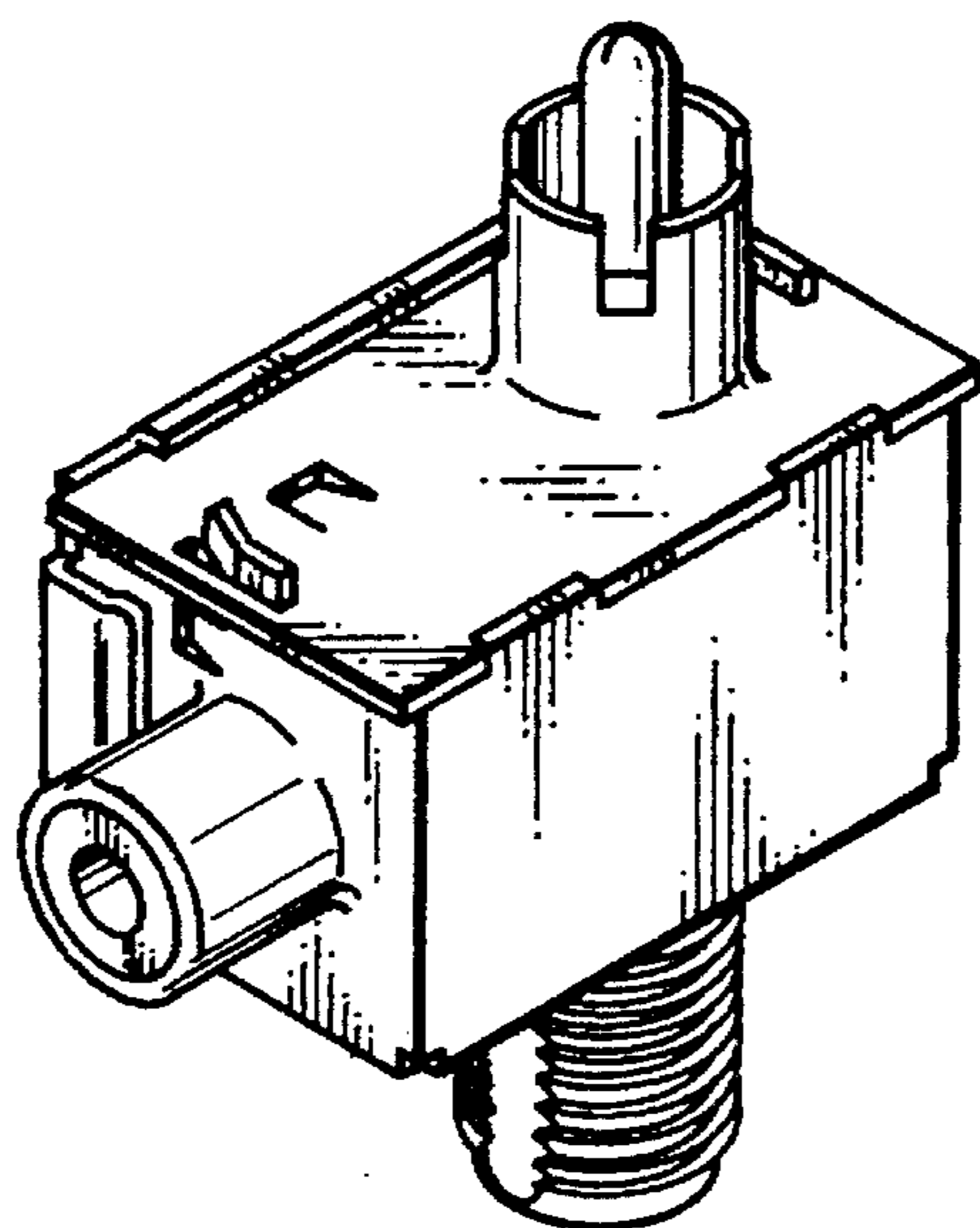


FIG. 2

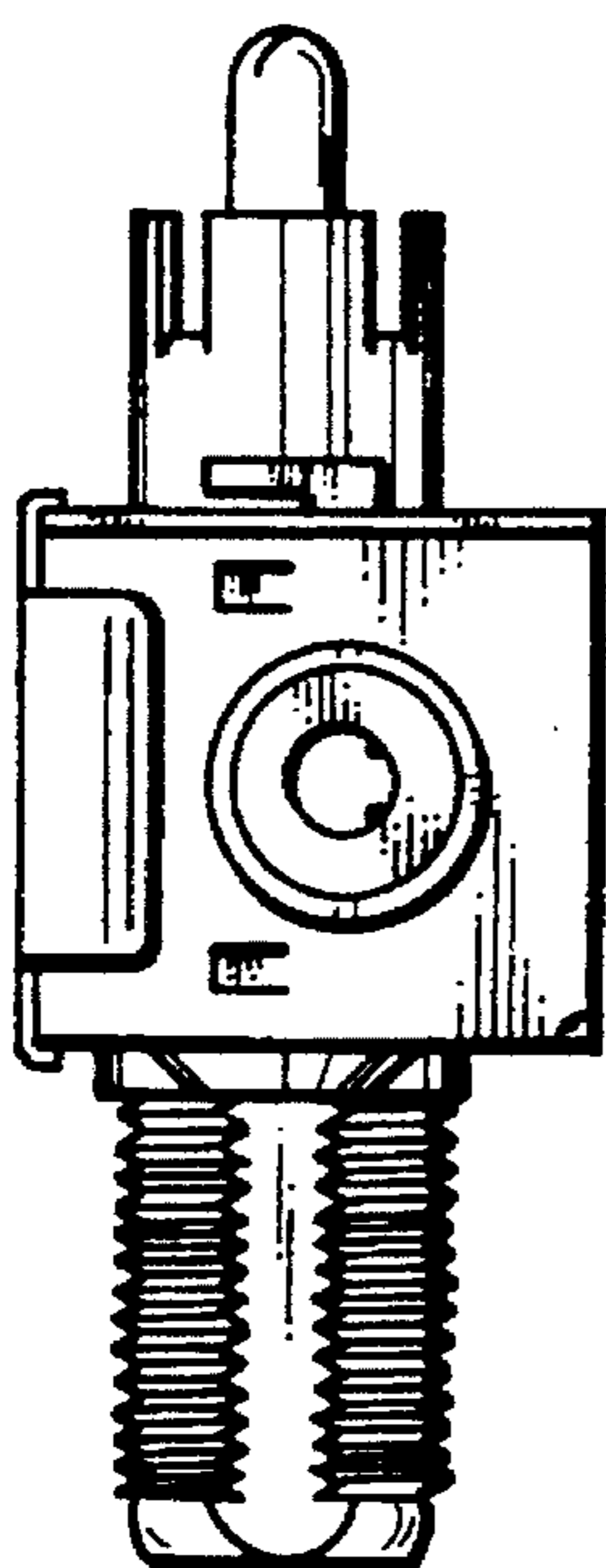


FIG. 3

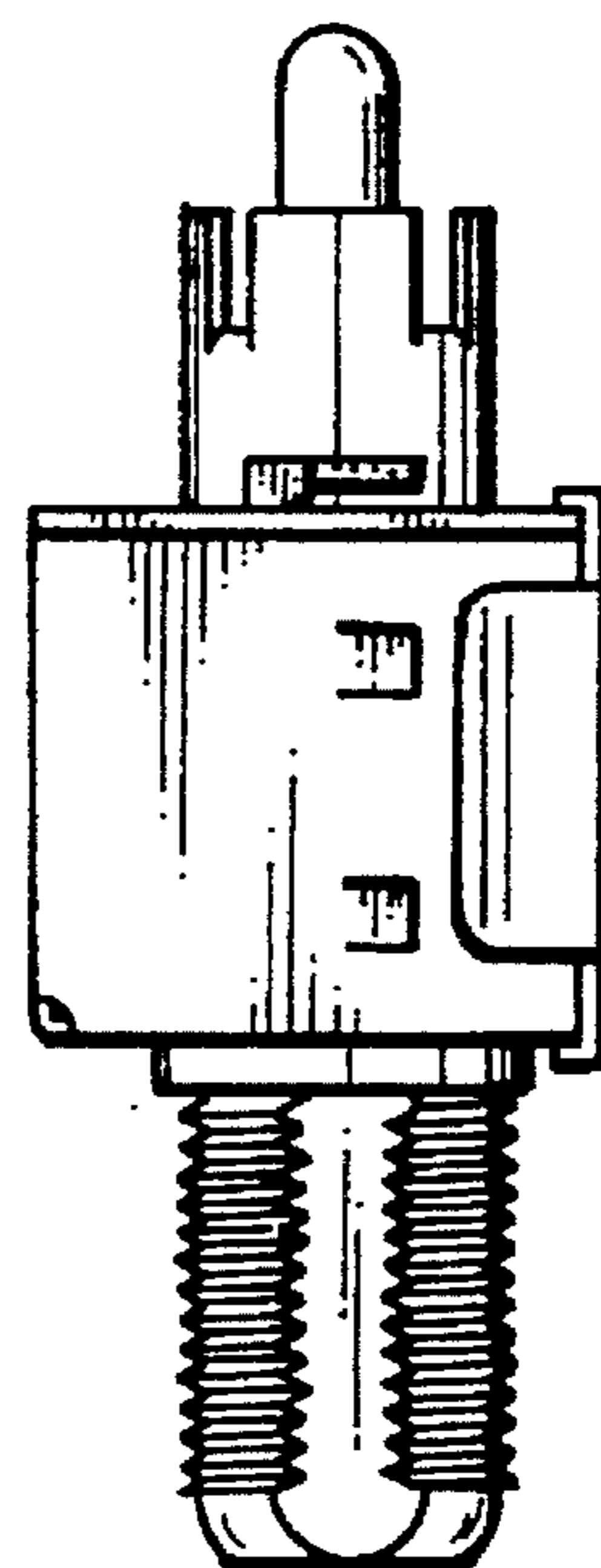


FIG. 4

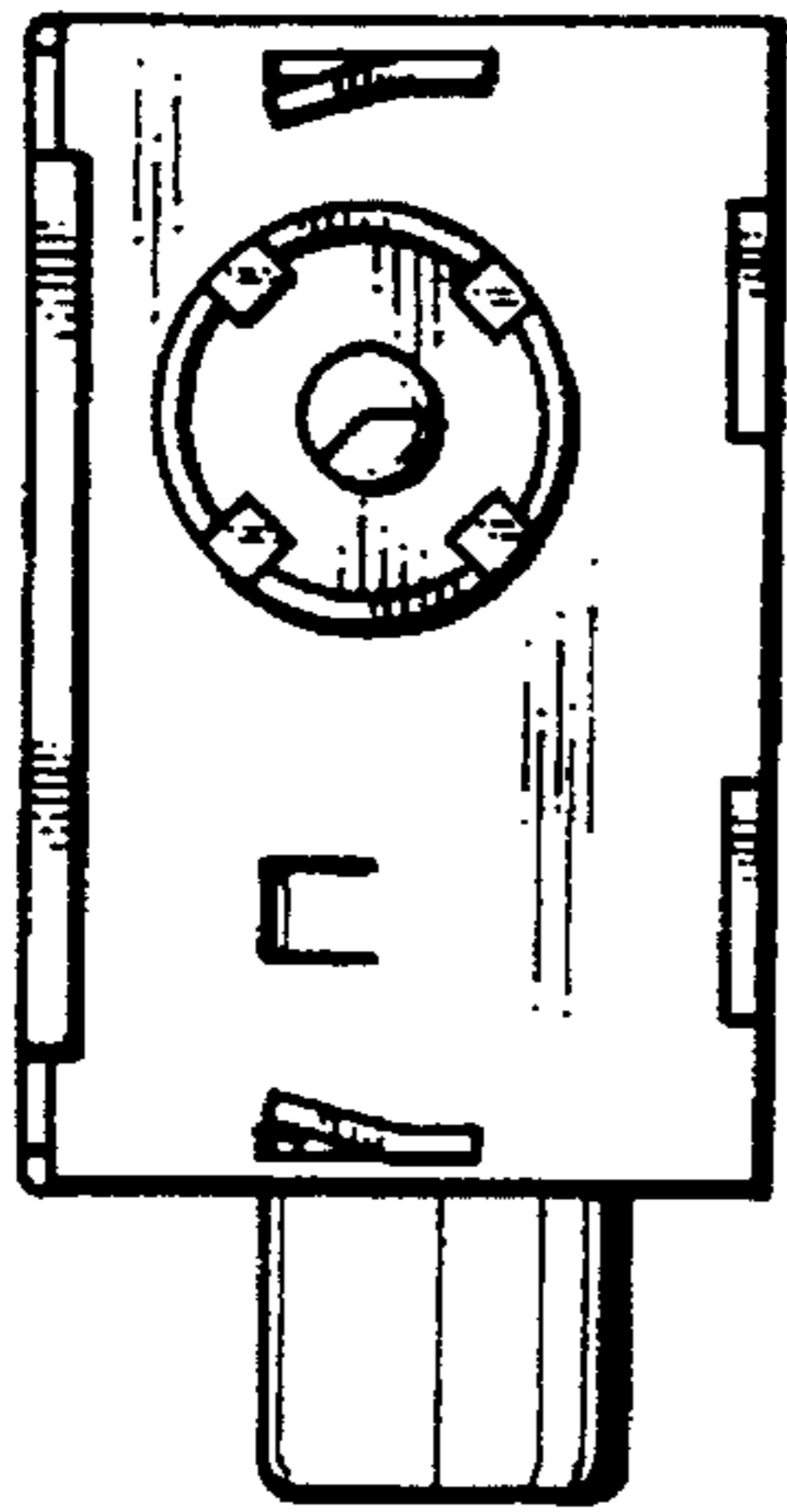


FIG. 5

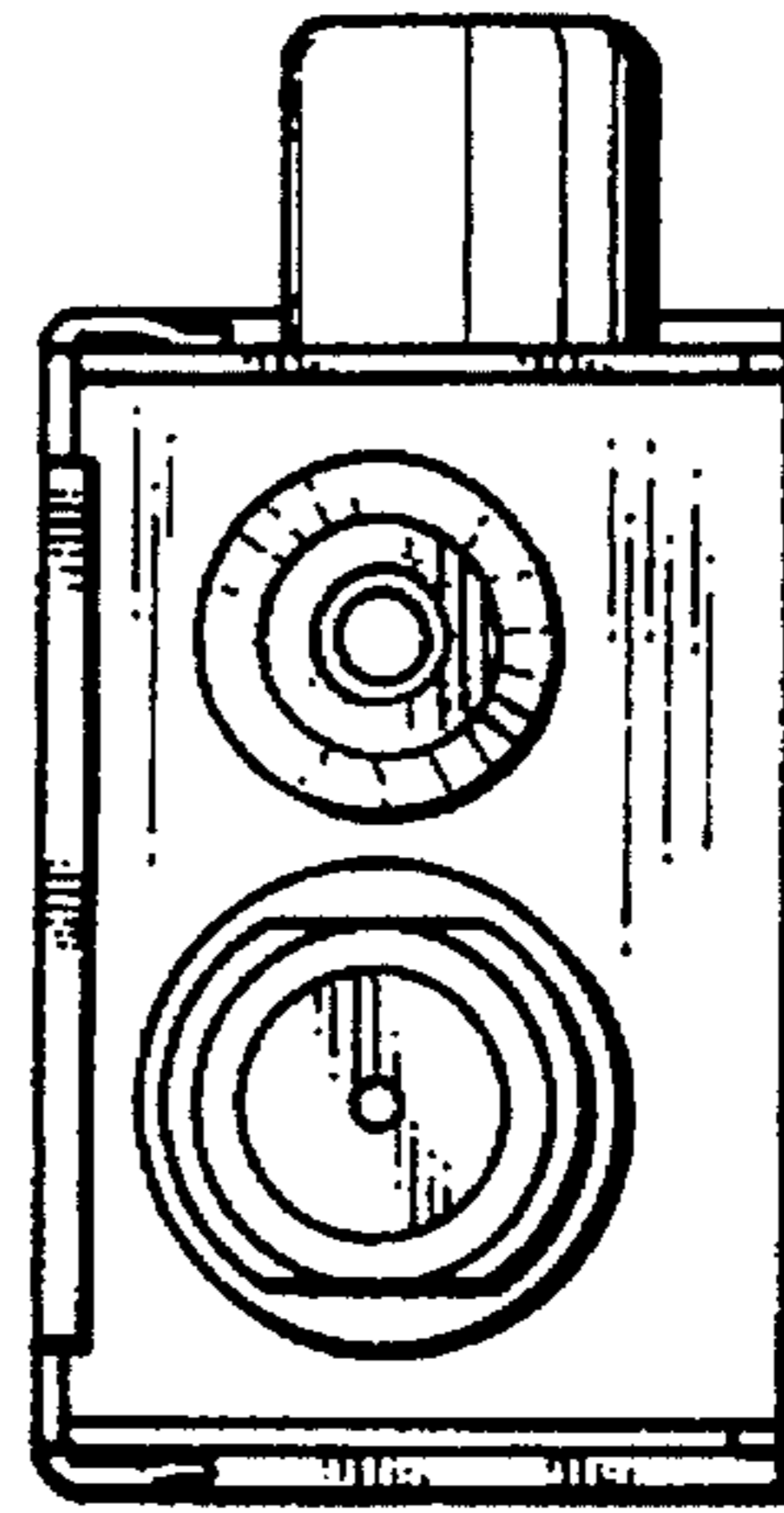


FIG. 6

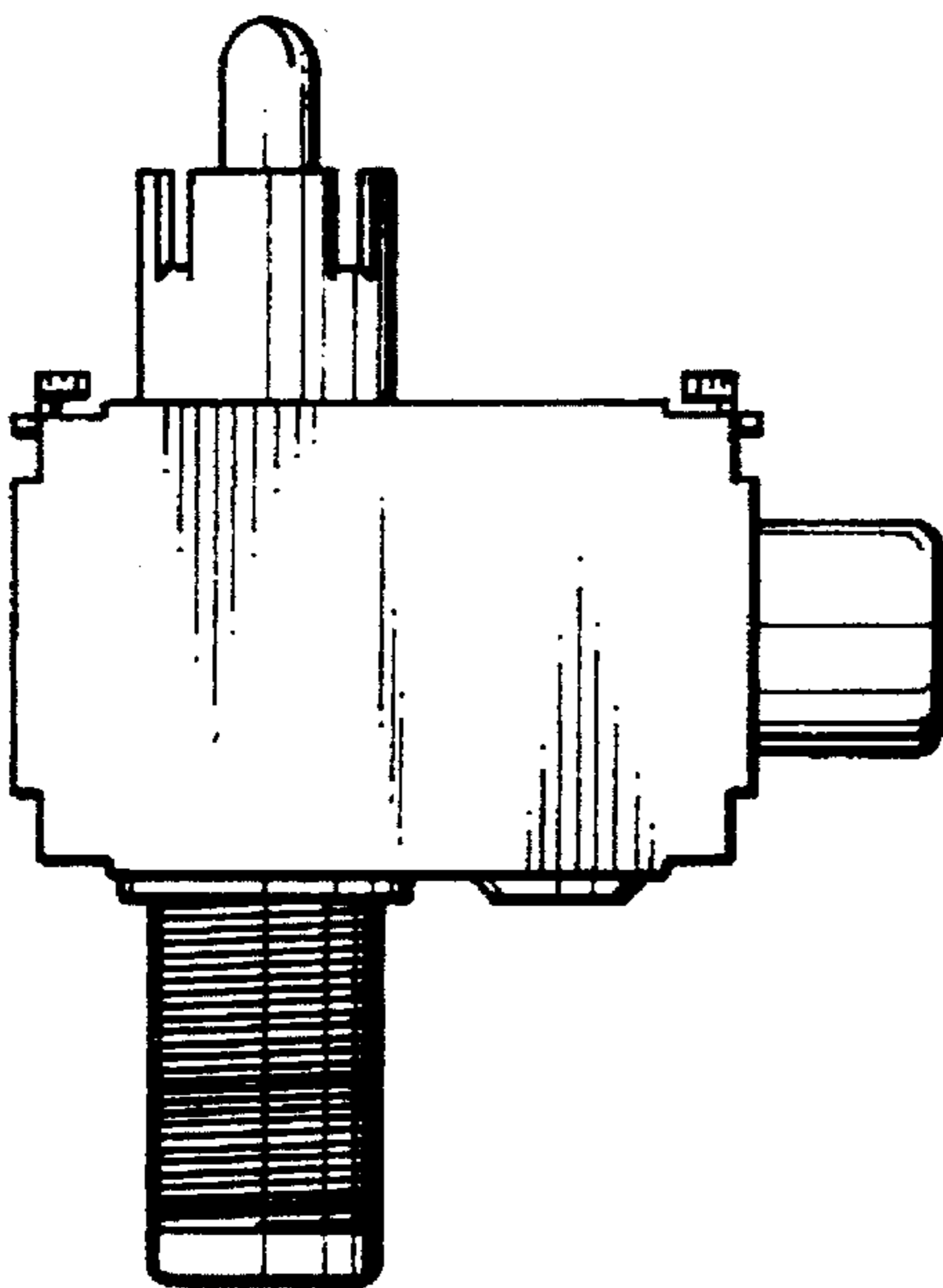
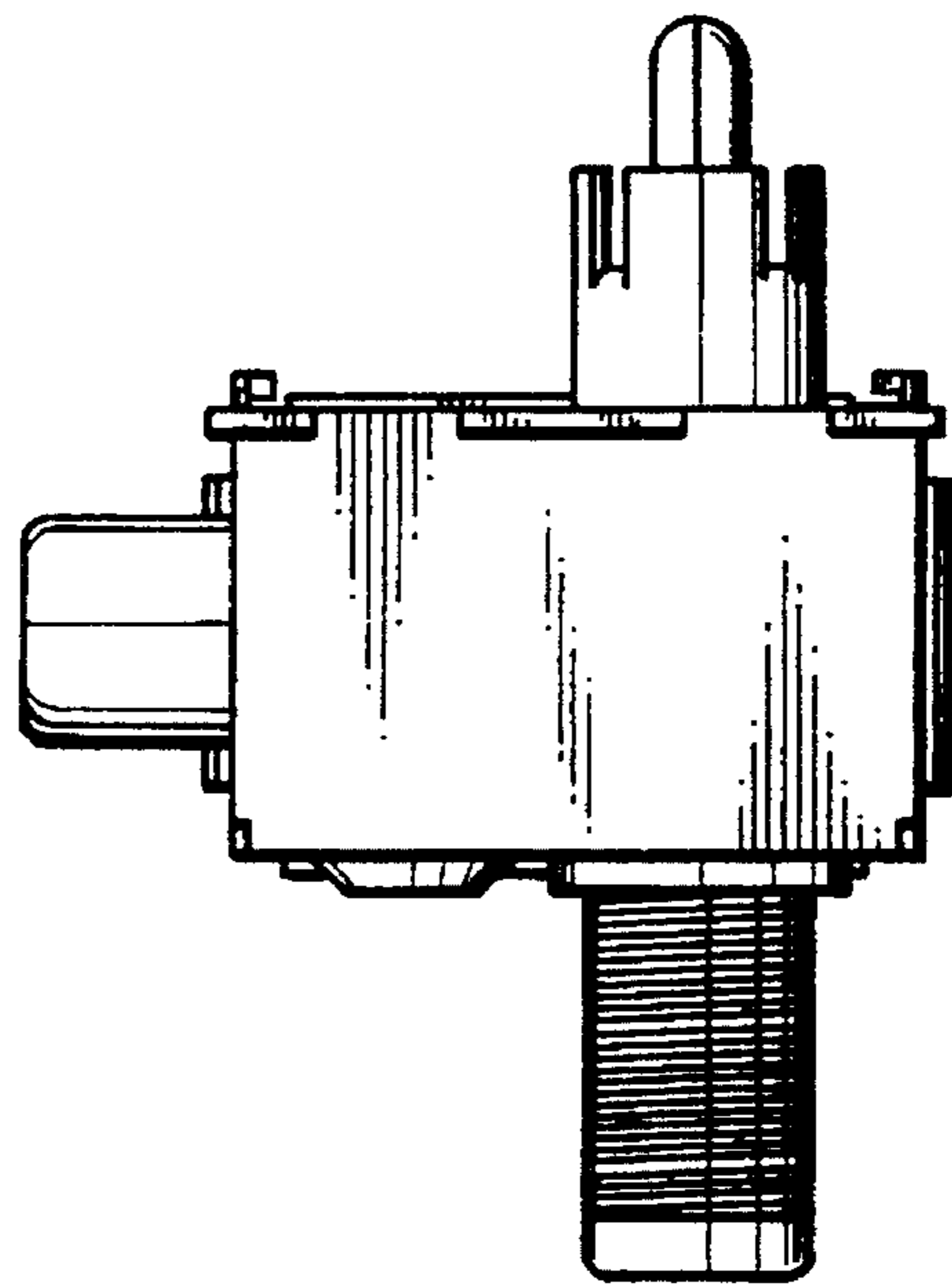


FIG. 7



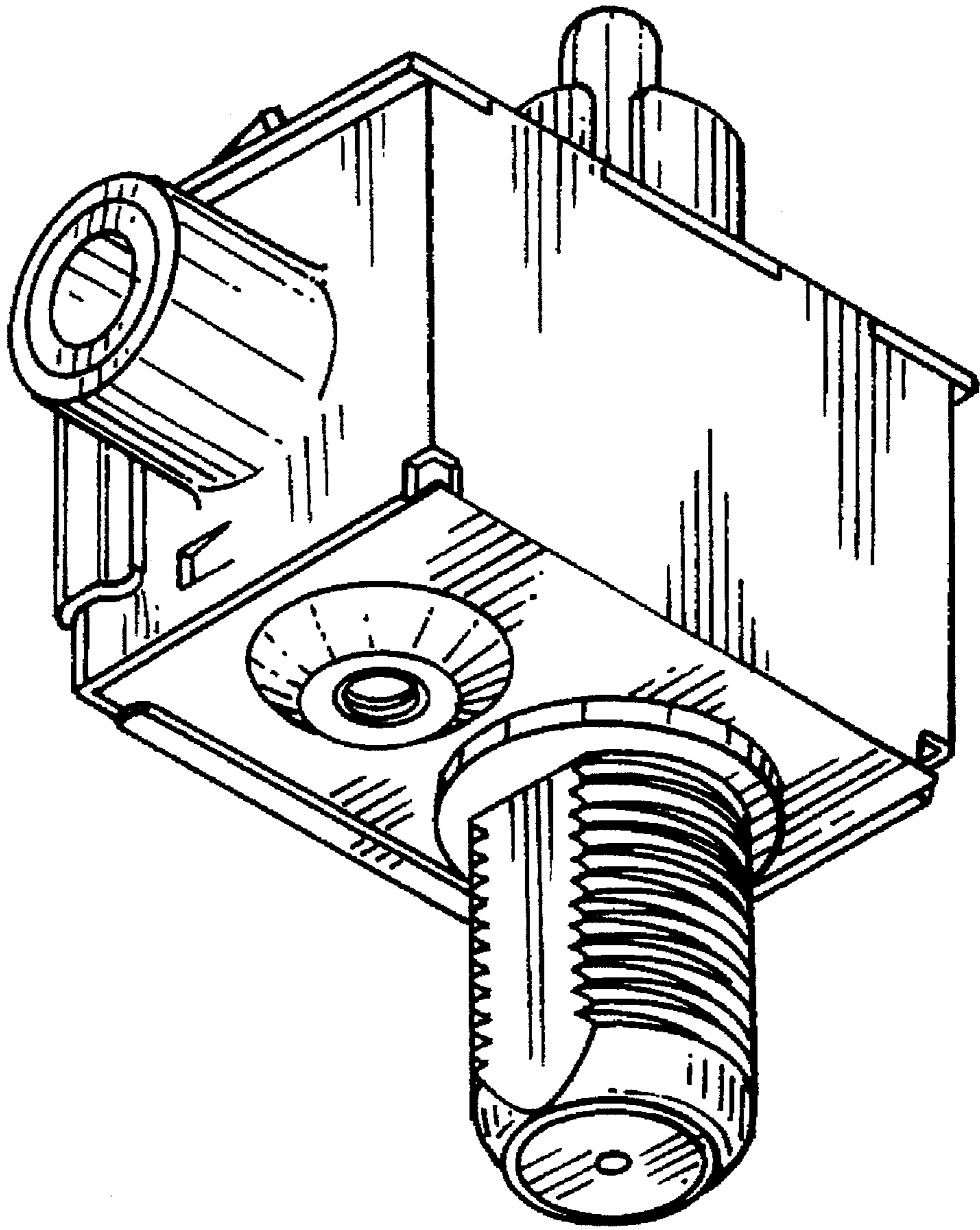


FIG. 8