



US00D371339S

United States Patent [19]
Schultz

[11] **Patent Number: Des. 371,339**

[45] **Date of Patent: **Jul. 2, 1996**

[54] **DRAIN FOR BOAT COVERINGS**

[76] Inventor: **Donald F. Schultz**, 3073 Hayes Ave.,
Costa Mesa, Calif. 92626

[**] Term: **14 Years**

[21] Appl. No.: **34,428**

[22] Filed: **Feb. 6, 1995**

[52] **U.S. Cl.** **D12/318**

[58] **Field of Search** D12/317, 318;
114/361, 222

[56] **References Cited**

U.S. PATENT DOCUMENTS

5,143,014	9/1992	Gabison	114/361
5,341,760	8/1994	Summers	114/361
5,439,256	8/1995	Brainard	114/361

Primary Examiner—Kay H. Chin
Attorney, Agent, or Firm—Roy A. Ekstrand

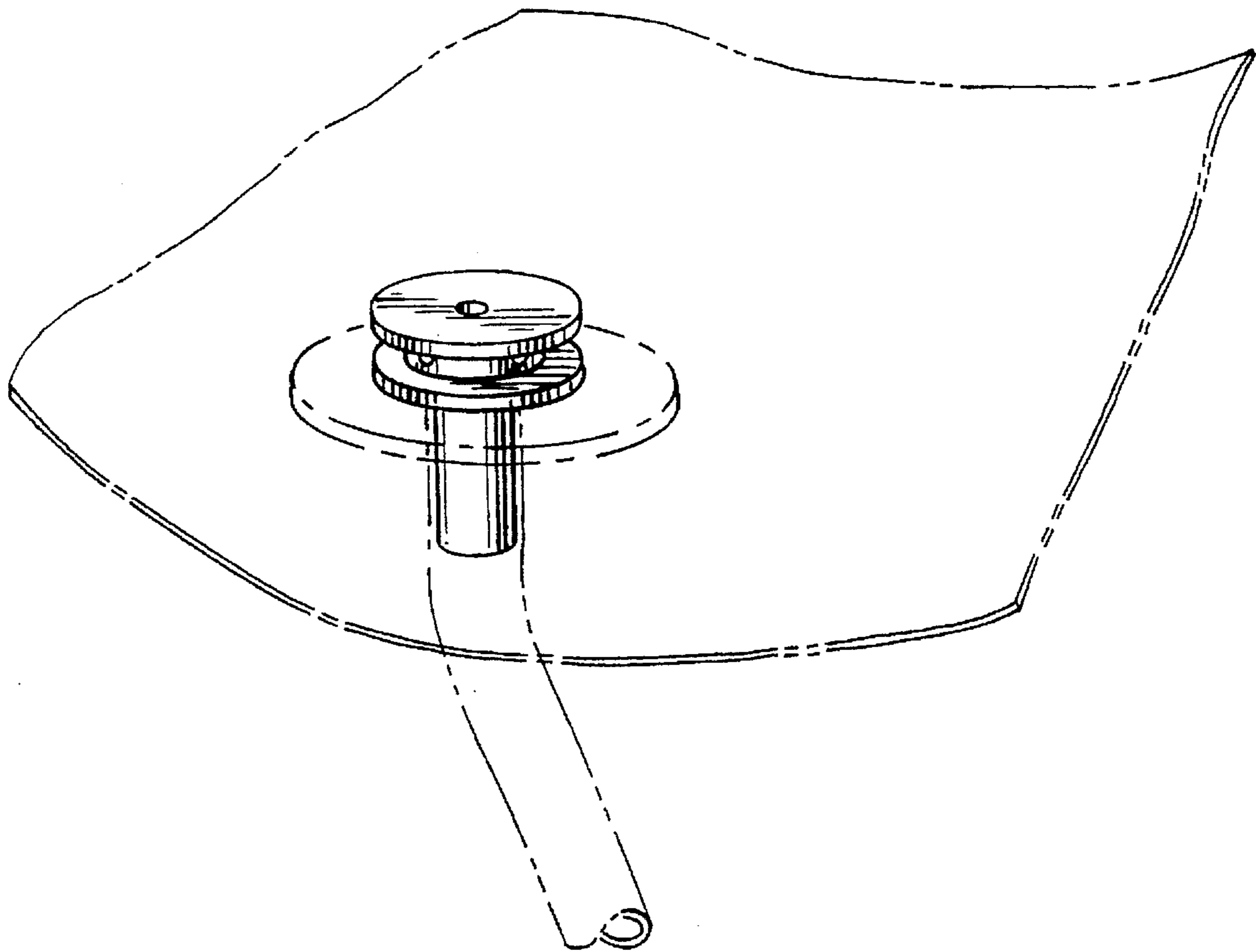
[57] **CLAIM**

The ornamental design for a drain for boat coverings, as shown and described.

DESCRIPTION

FIG. 1 is a top perspective view of a drain for boat coverings showing my new design, the broken lines are for illustrative purpose only and form no part of the claimed design; FIG. 2 is a right side view thereof, the left side being the same; FIG. 3 is a top view thereof; FIG. 4 is a bottom view thereof; FIG. 5 is a front view thereof; and, FIG. 6 is a rear view thereof.

1 Claim, 1 Drawing Sheet



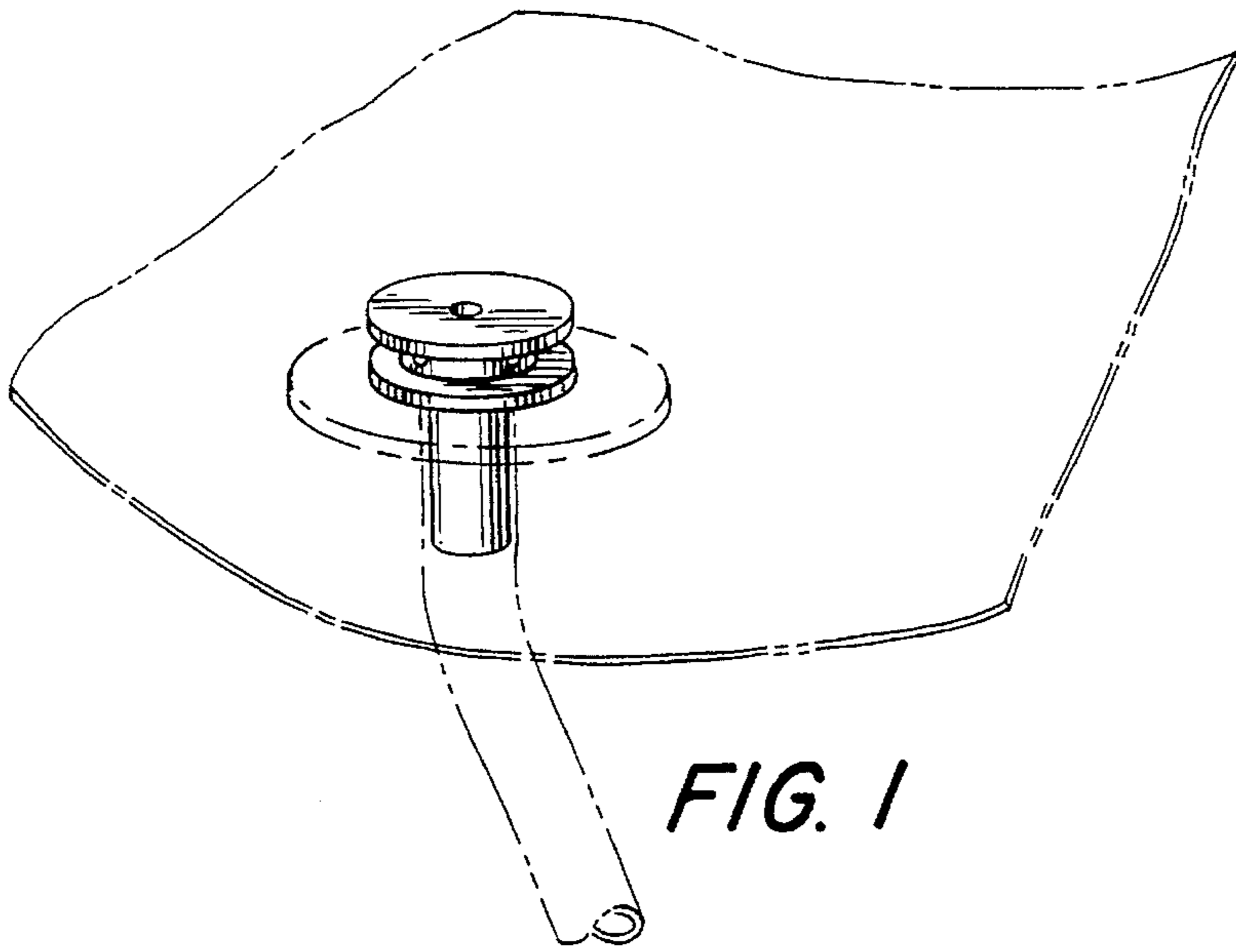


FIG. 1

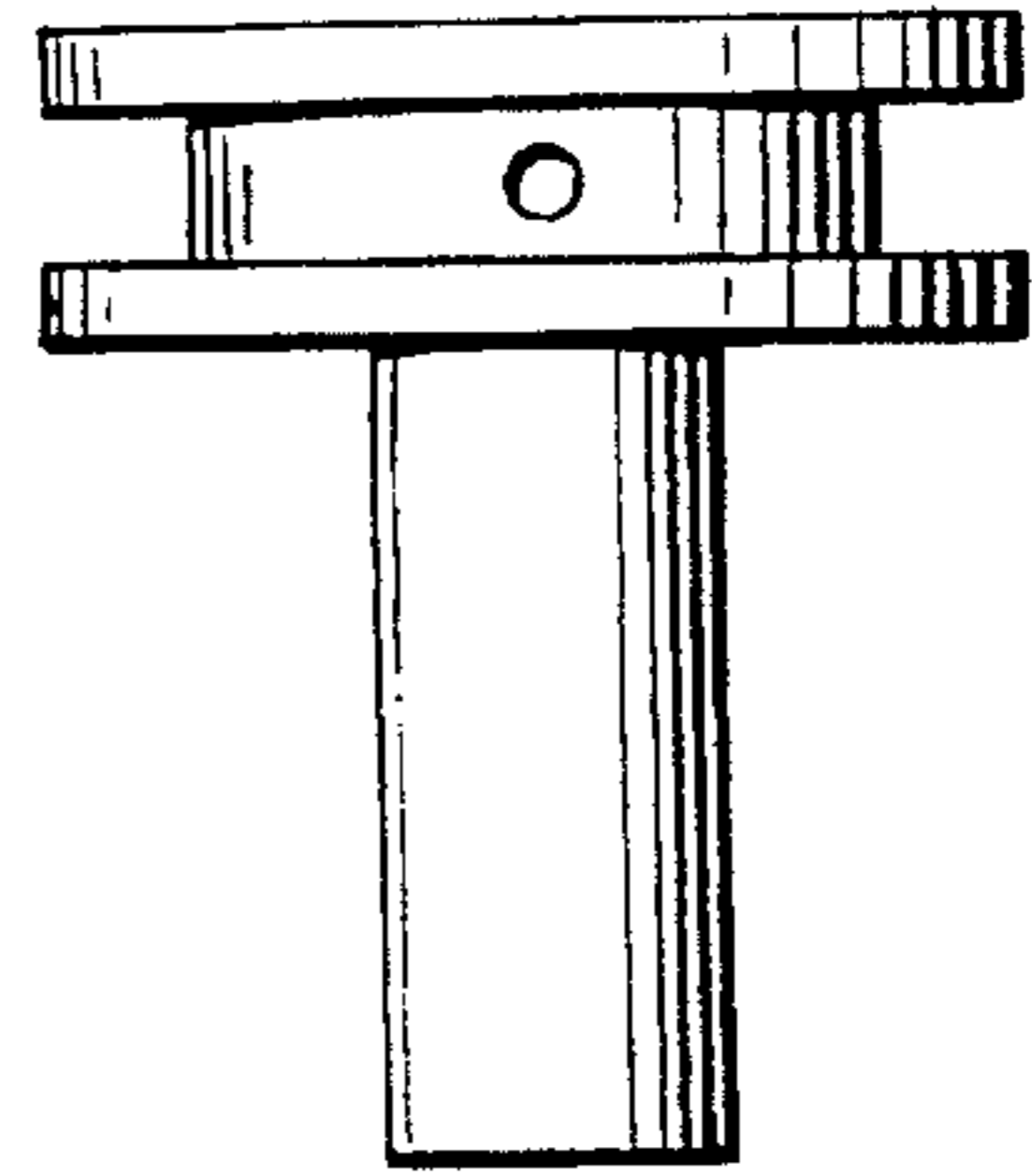


FIG. 2

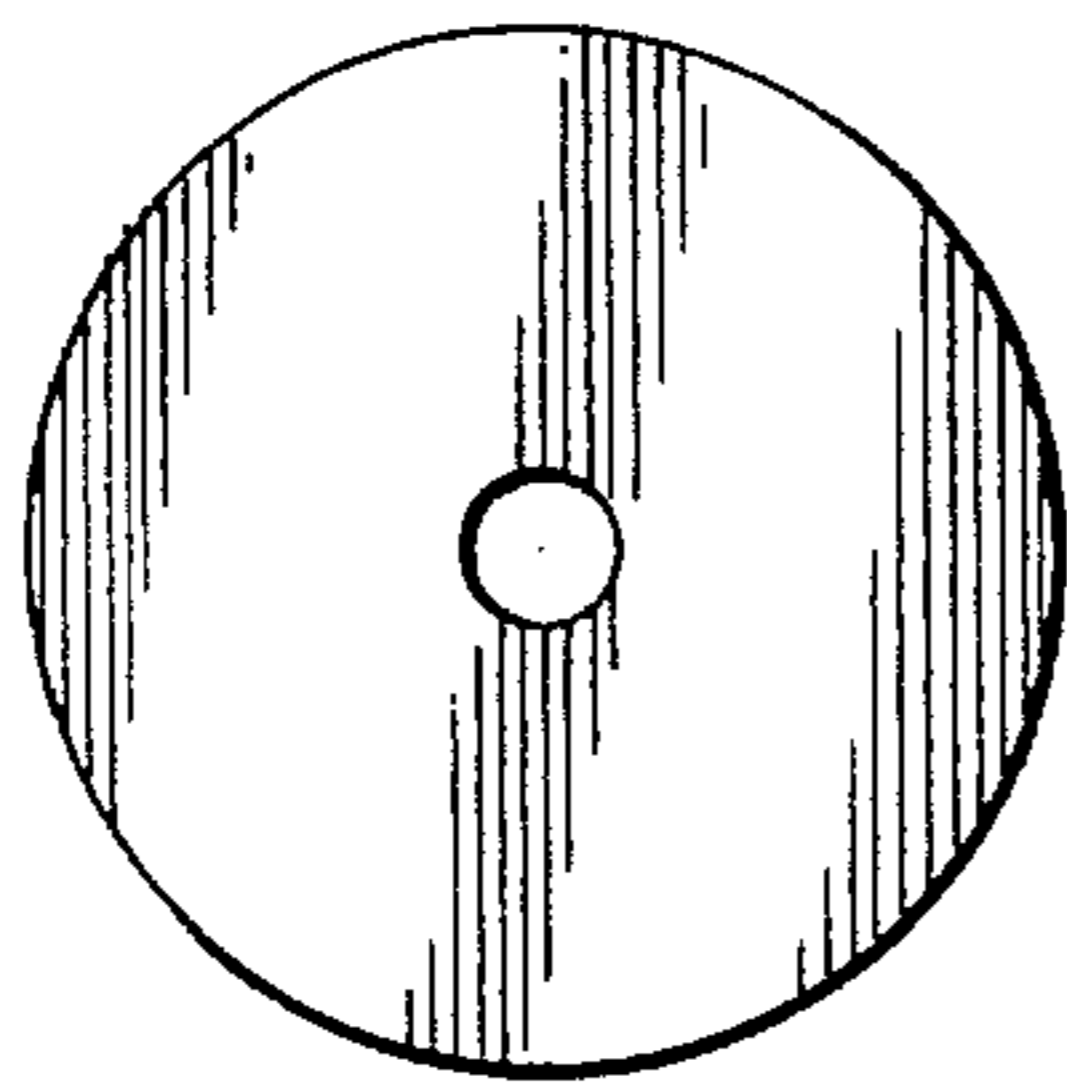


FIG. 3

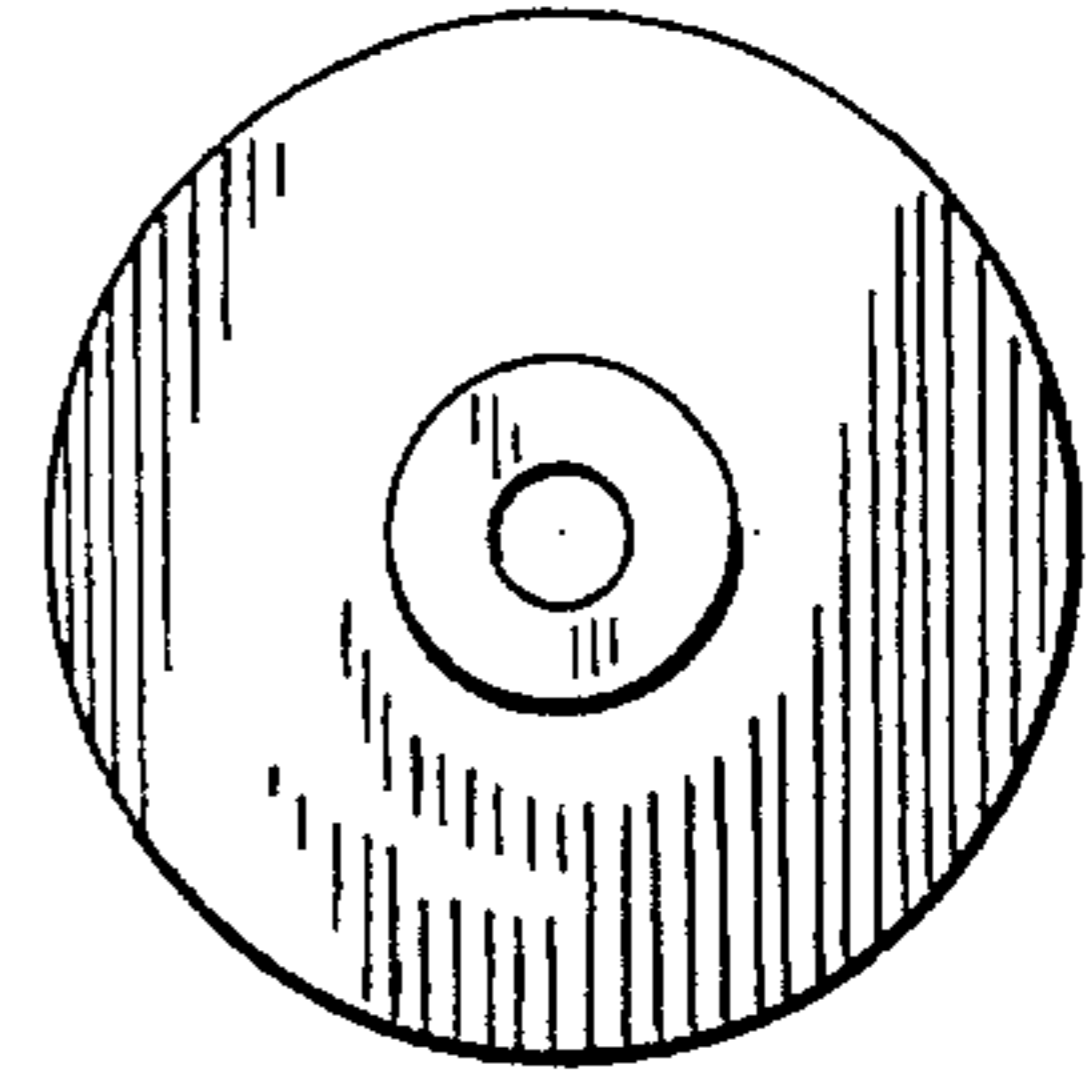


FIG. 4

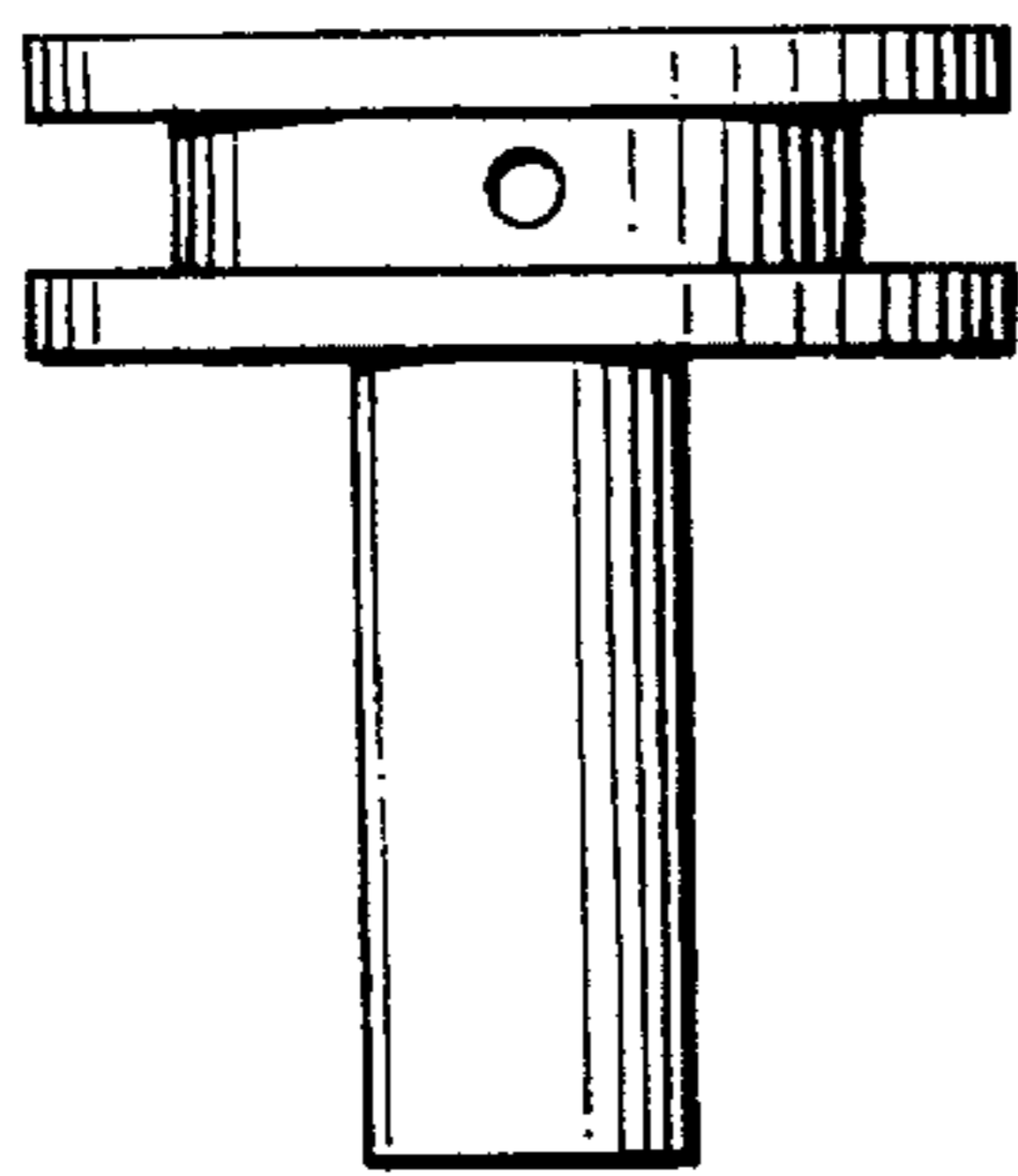


FIG. 5

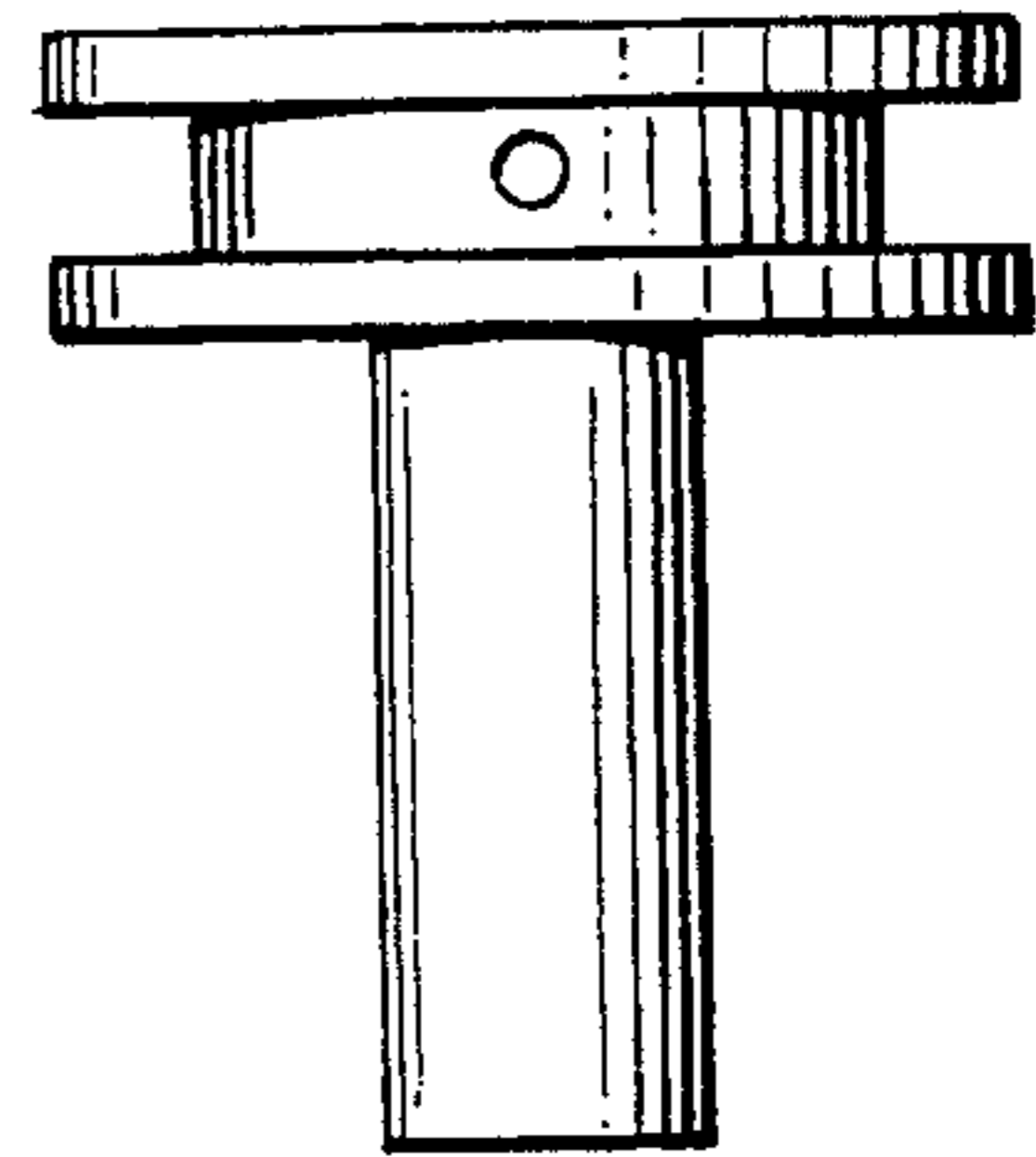


FIG. 6