



US00D371338S

United States Patent [19]
Hunter

[11] **Patent Number: Des. 371,338**

[45] **Date of Patent: **Jul. 2, 1996**

[54] **AIR WING FOR WATERCRAFT**

[76] Inventor: **Yori Hunter**, 438 Vernon St. Apt. 301,
Oakland, Calif. 94610

[**] Term: **14 Years**

[21] Appl. No.: **40,406**

[22] Filed: **Jun. 16, 1995**

[52] U.S. Cl. **D12/317**

[58] Field of Search **D12/317, 345;**
114/272, 273

[56] **References Cited**

U.S. PATENT DOCUMENTS

5,111,766 5/1992 Ortemond 114/272
5,269,249 12/1993 Micheletti 114/272

Primary Examiner—Kay H. Chin
Attorney, Agent, or Firm—Harold H. Dutton, Jr.; W. Charles
L. Jamison; Diane F. Liebman

[57] **CLAIM**

The ornamental design for an air wing for watercraft, as
shown and described.

DESCRIPTION

FIG. 1 is an exploded perspective view of an air wing for

watercraft showing my new design, a portion of the wing
being broken away to show the internal structure of the
wing;

FIG. 2 is a right side view of the base portion thereof;

FIG. 3 is a left side view thereof;

FIG. 4 is a front view thereof;

FIG. 5 is a rear view thereof;

FIG. 6 is a top view thereof;

FIG. 7 is a bottom view thereof;

FIG. 8 is a front view of the wing portion thereof;

FIG. 9 is a rear view thereof;

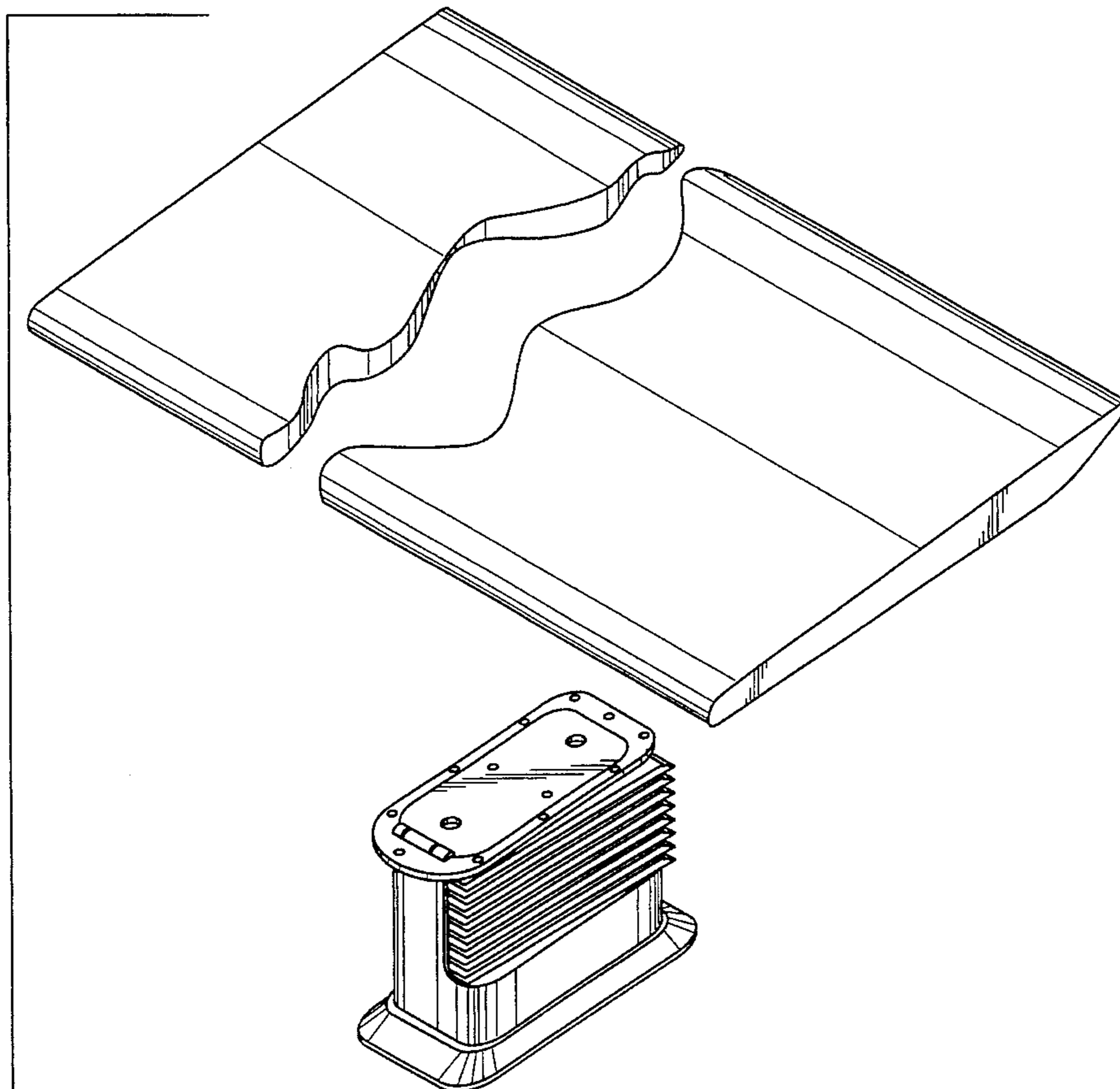
FIG. 10 is a side view thereof;

FIG. 11 is a top view thereof; and,

FIG. 12 is a bottom view thereof.

The side opposite to that shown in FIG. 10 is a mirror image
thereof.

1 Claim, 7 Drawing Sheets



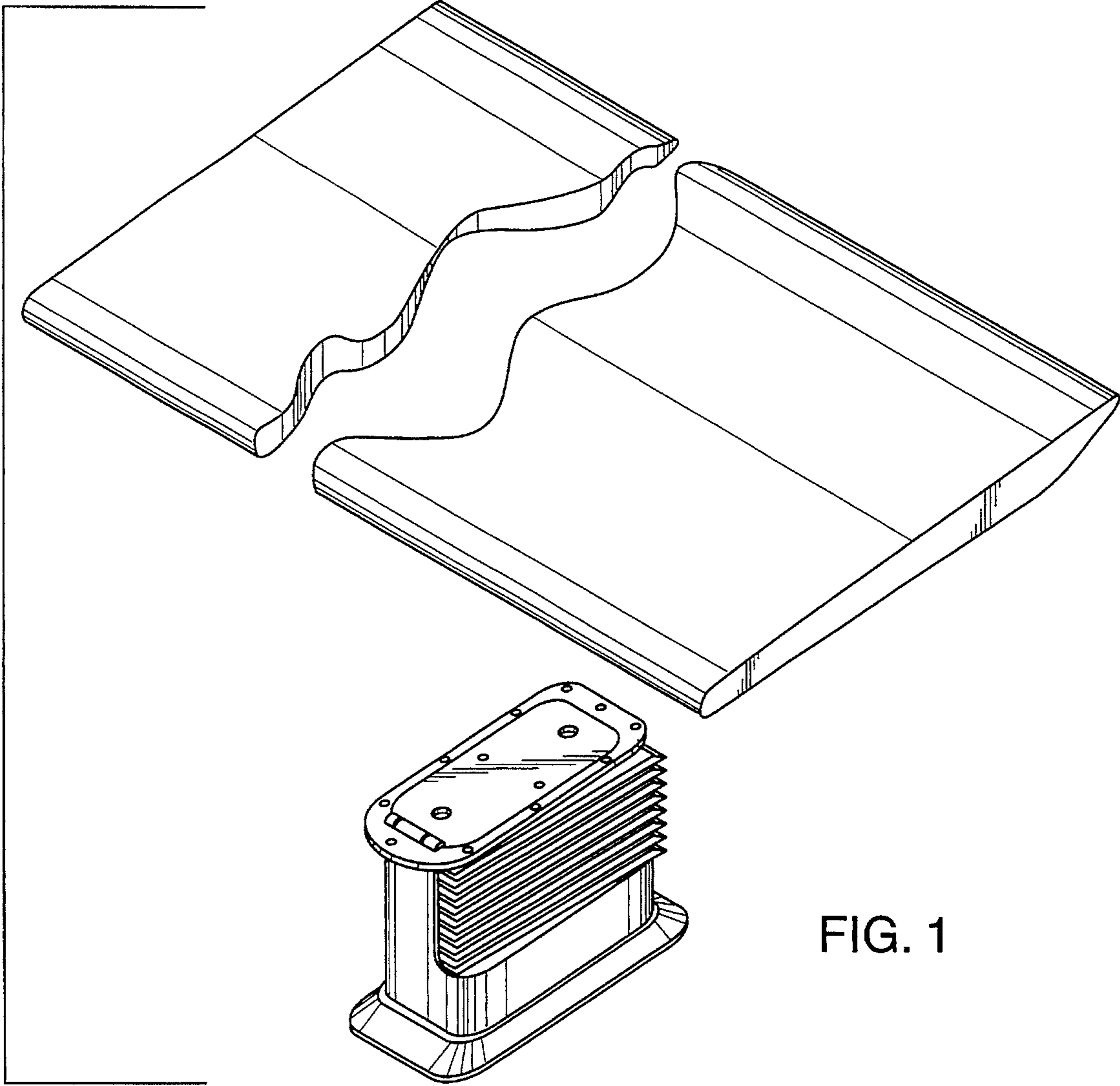


FIG. 1

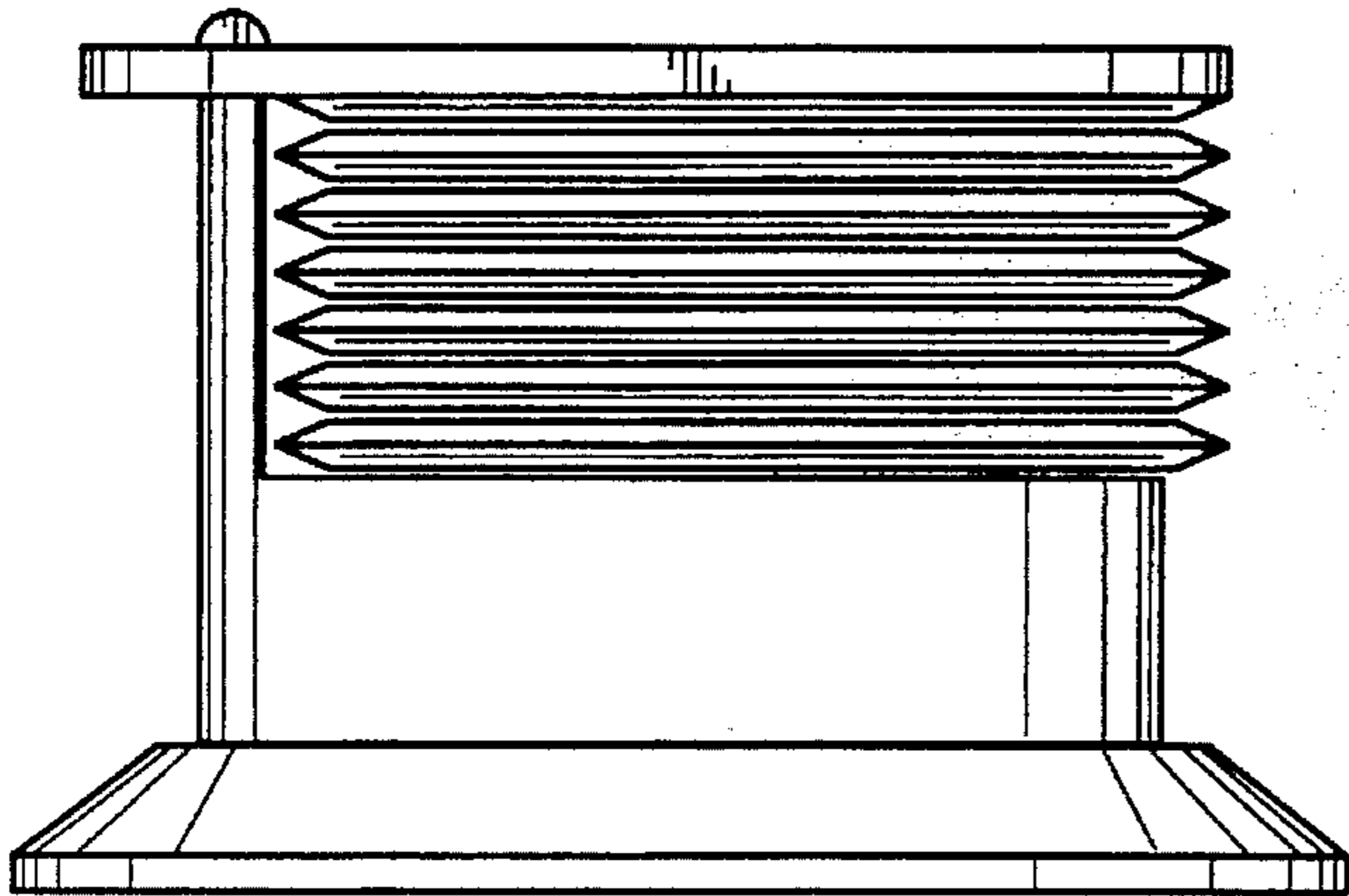
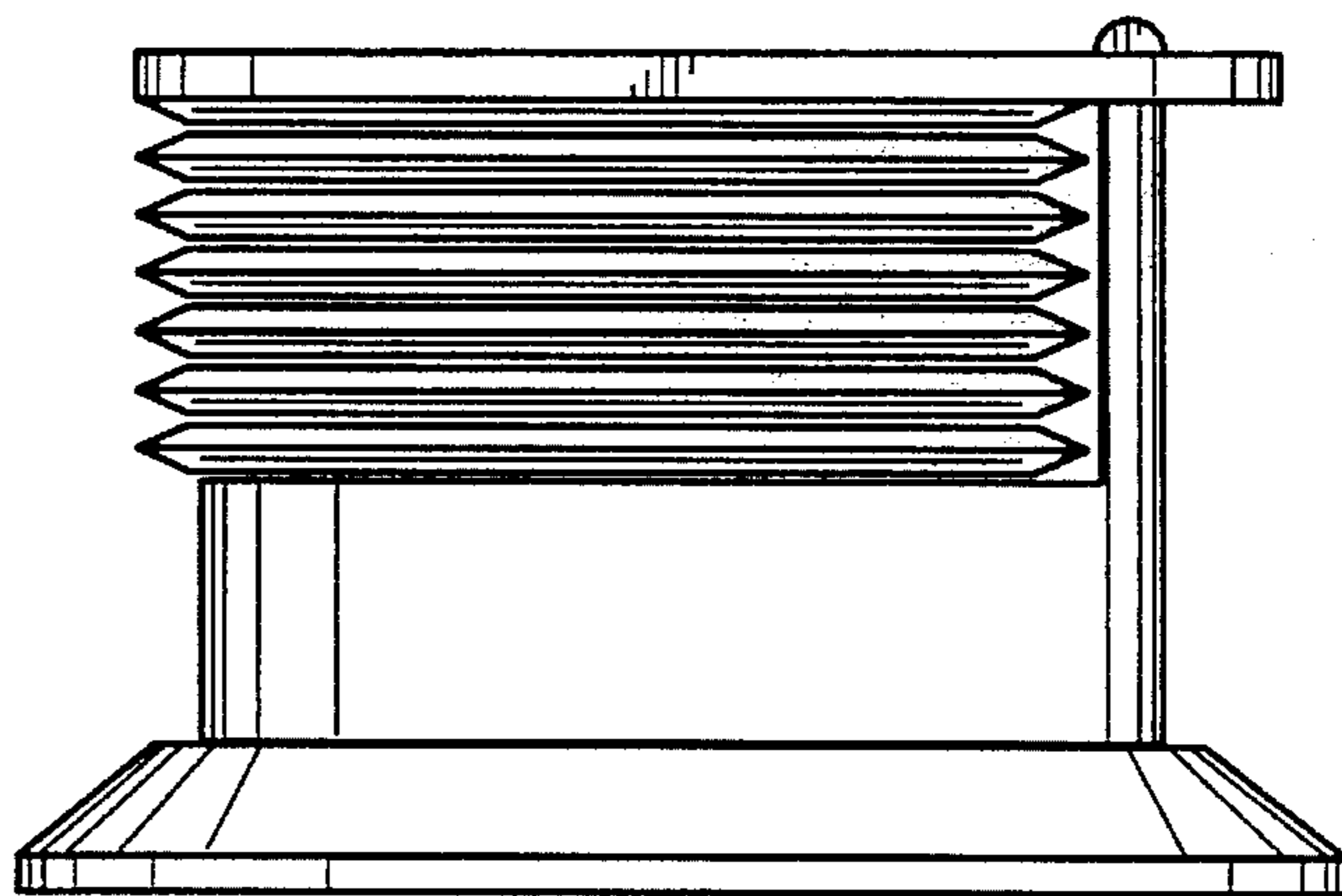


FIG. 2

FIG. 3



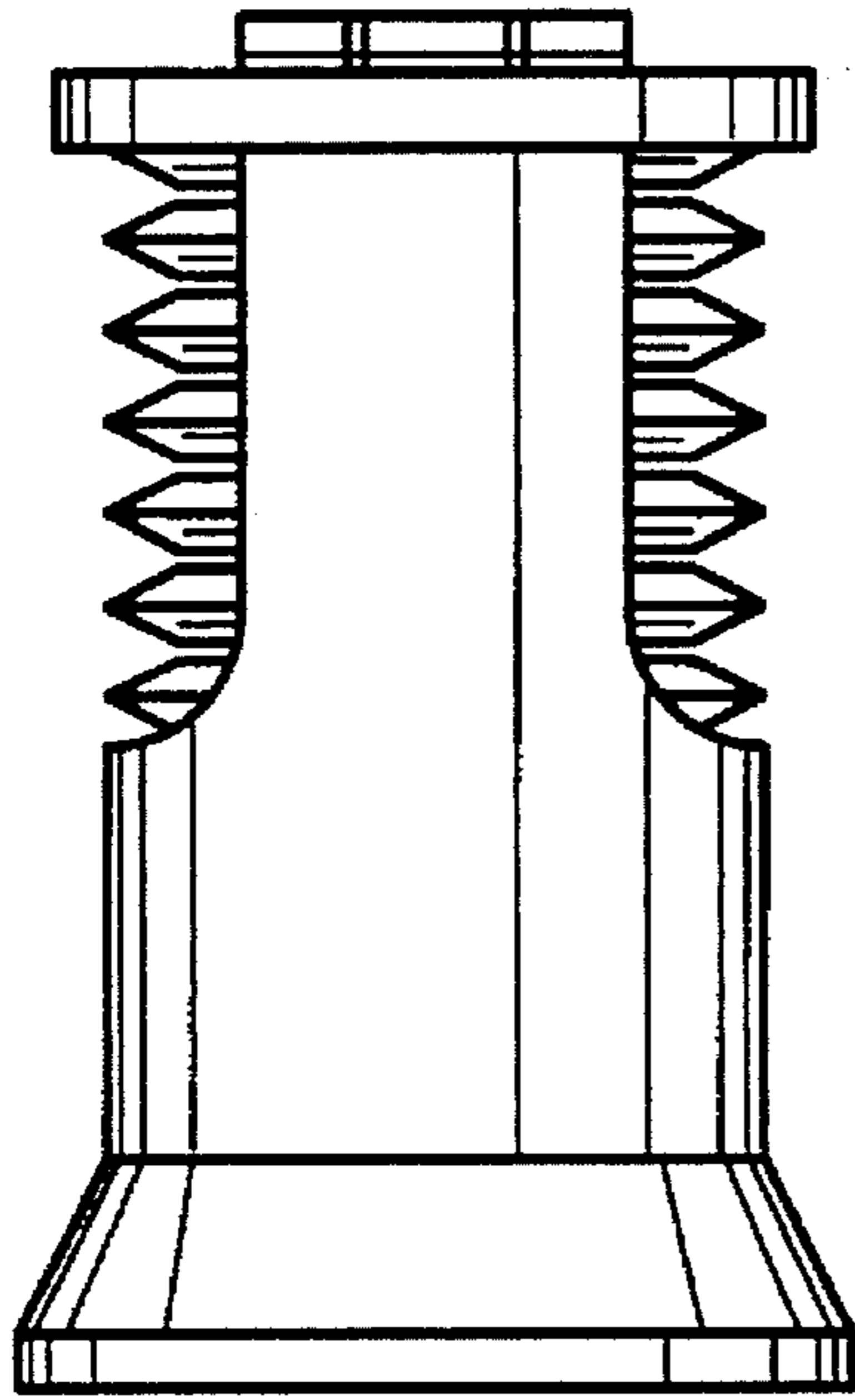
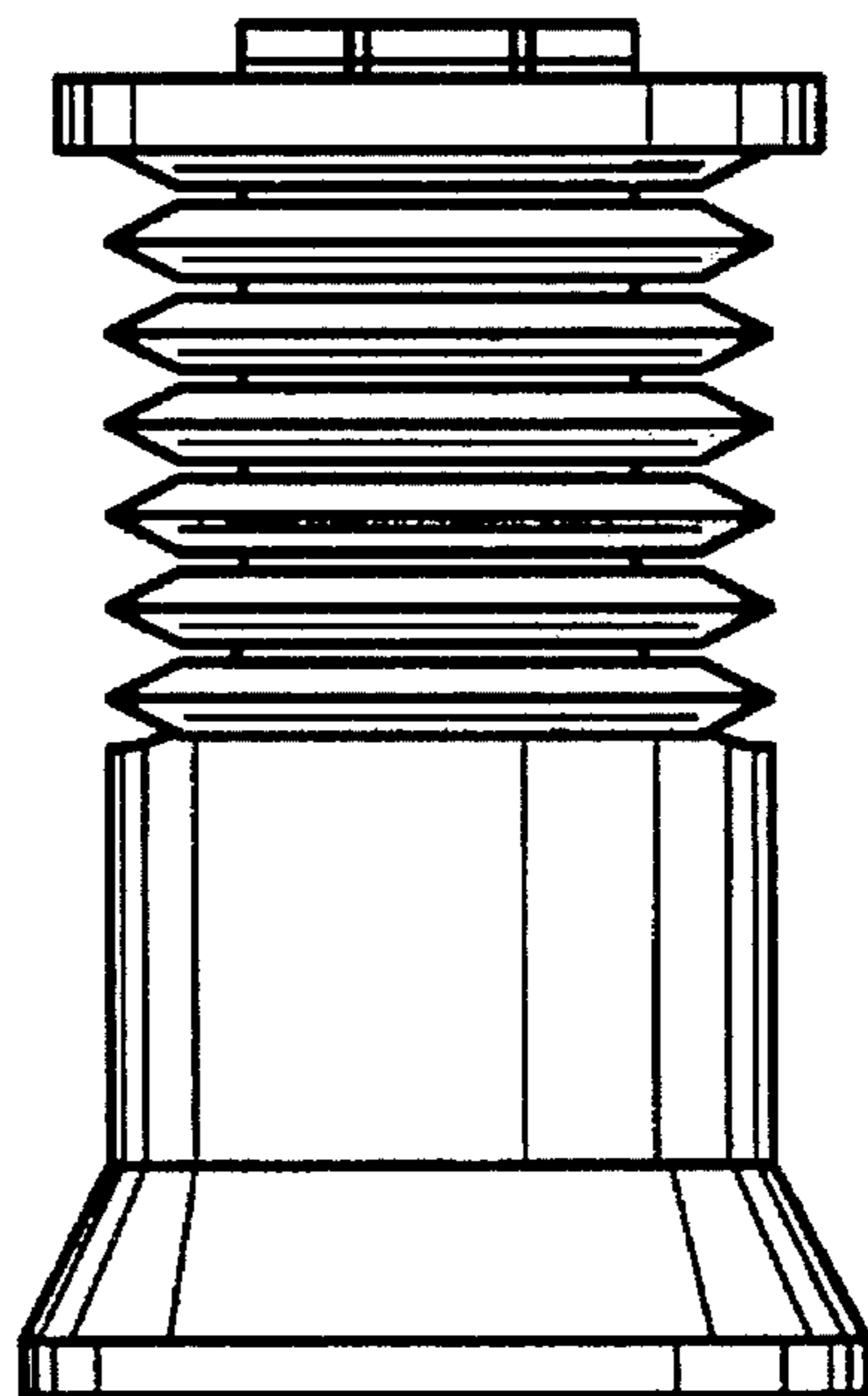


FIG. 4

FIG. 5



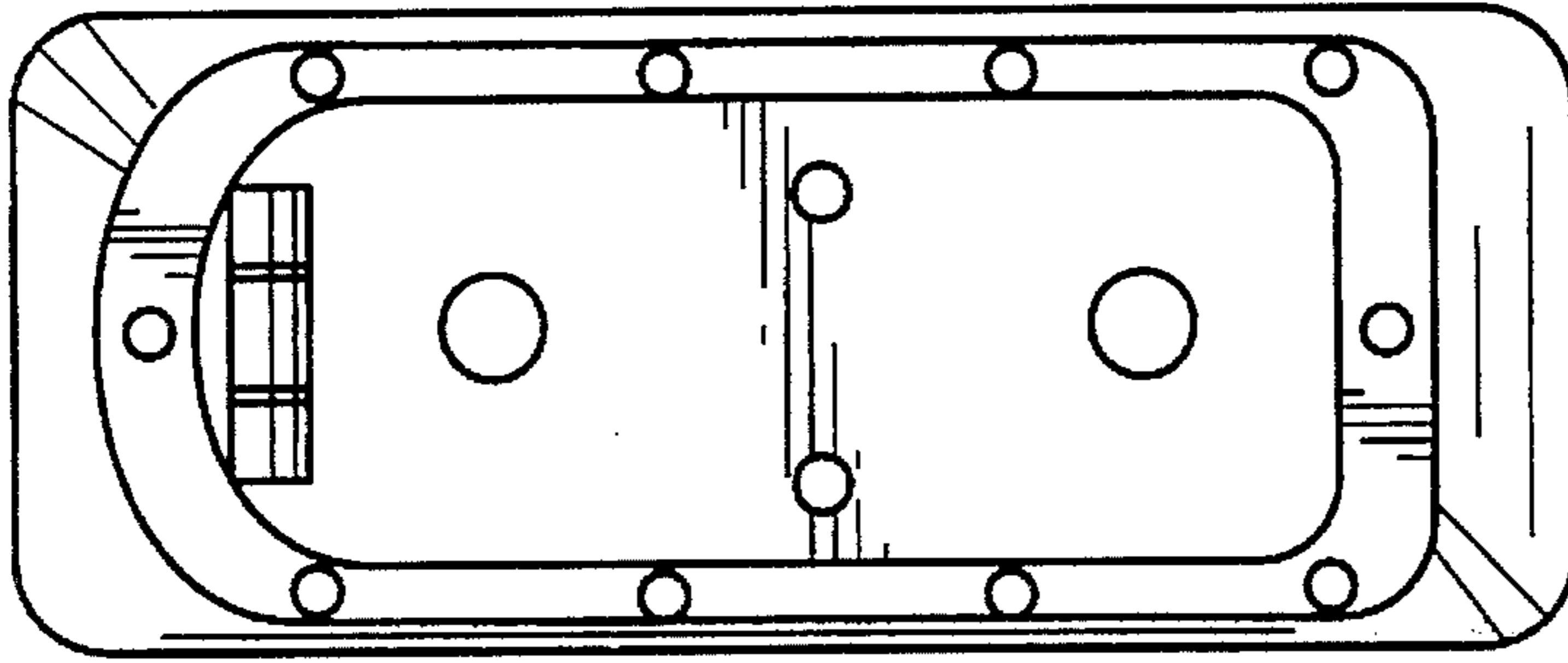


FIG. 6

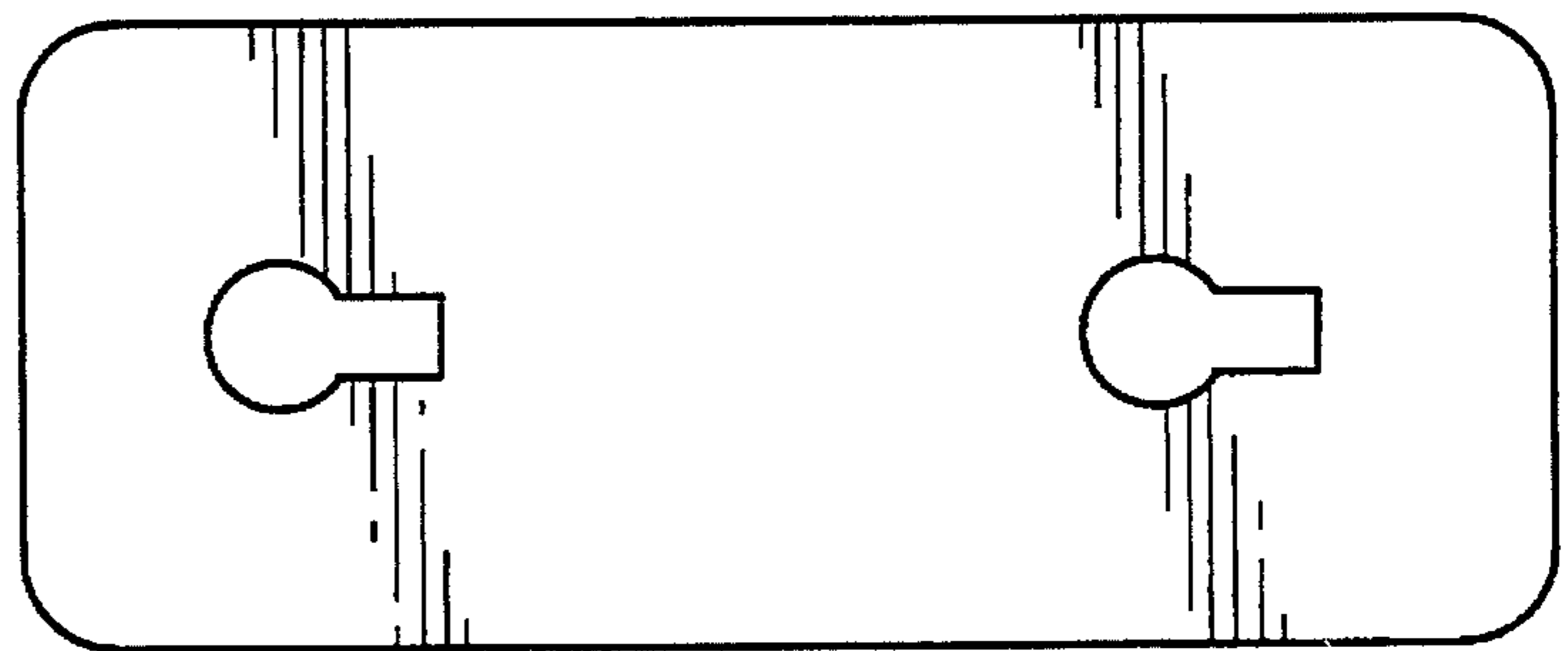


FIG. 7

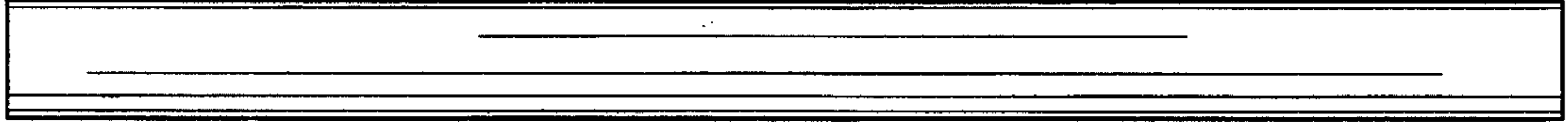


FIG. 8

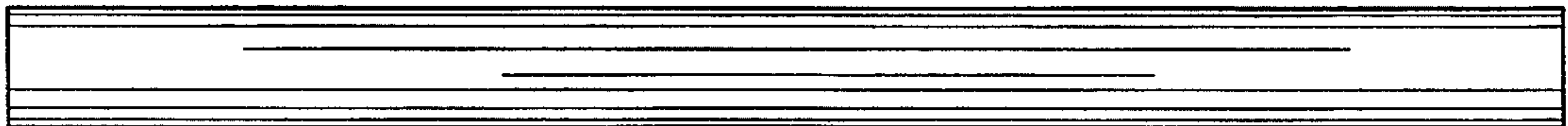


FIG. 9

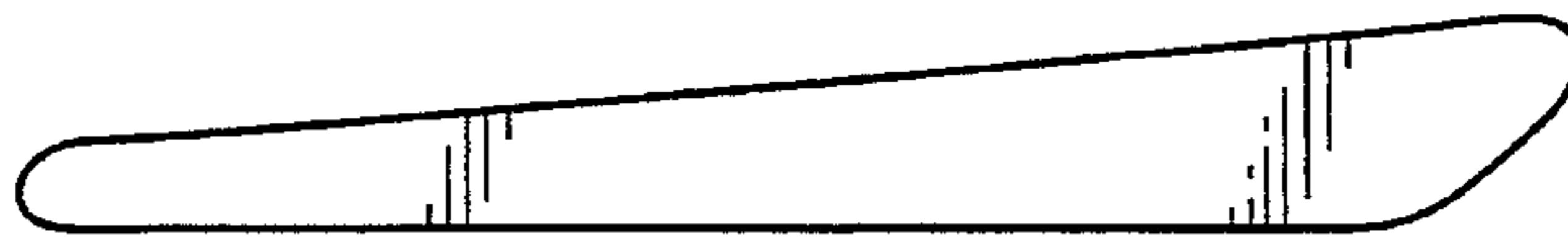


FIG. 10

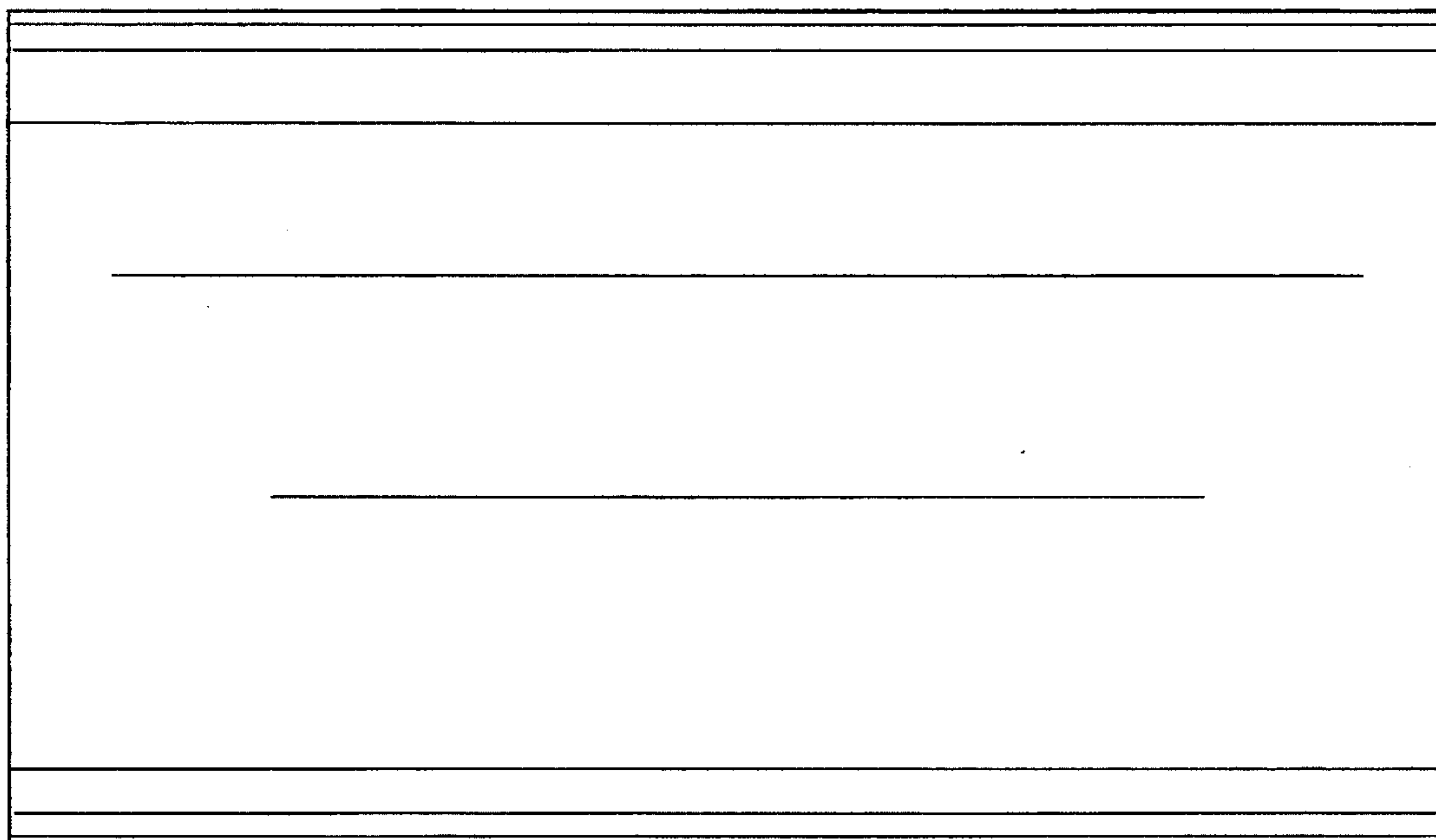


FIG. 11

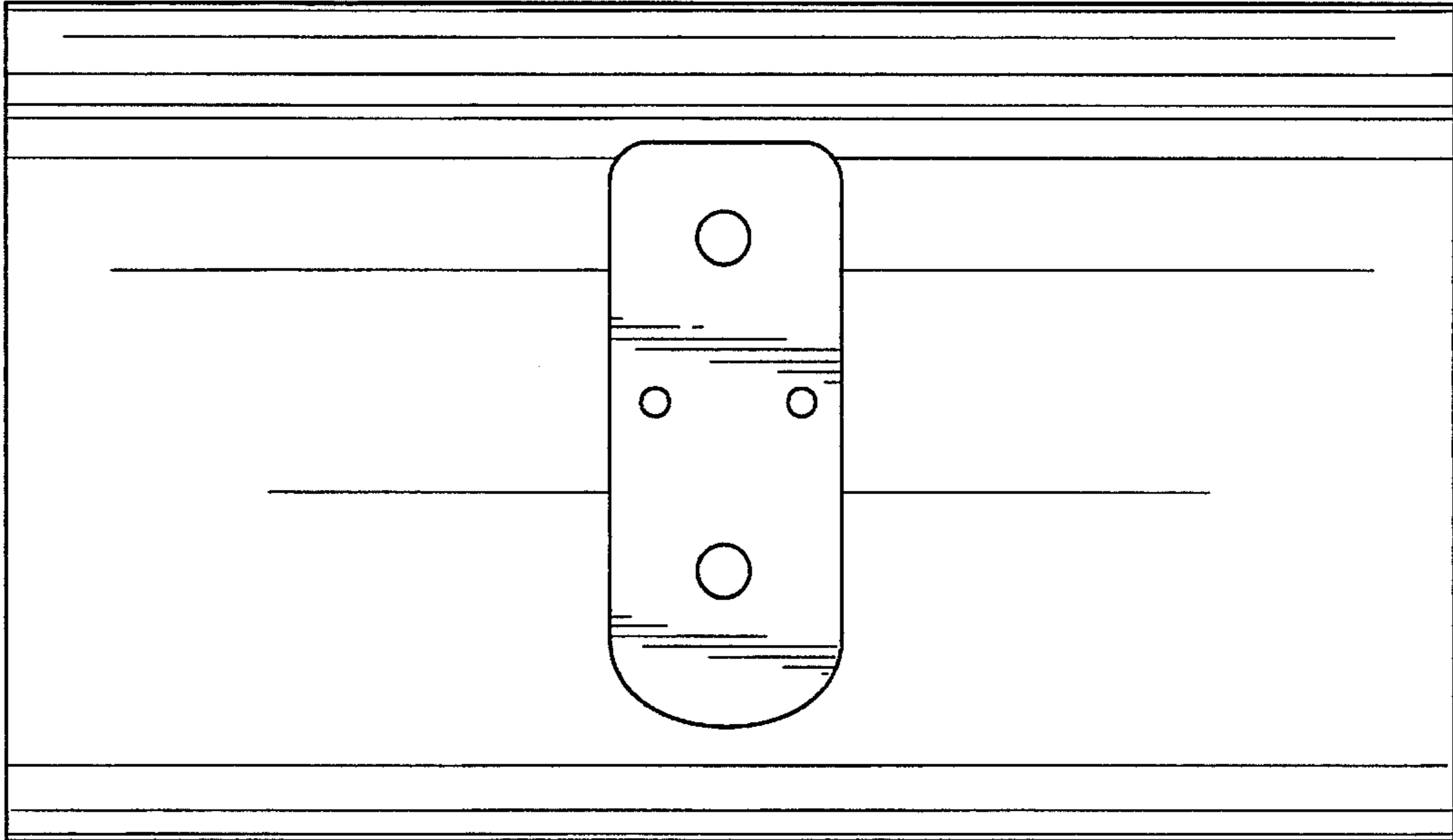


FIG. 12