



US00D371337S

United States Patent [19]

Williams

[11] Patent Number: **Des. 371,337**

[45] Date of Patent: ****Jul. 2, 1996**

[54] **SPRAY SHIELD**

[76] Inventor: **Timothy Williams**, 3829 Gannon La.,
Apt. 3308, Dallas, Tex. 75237

[**] Term: **14 Years**

[21] Appl. No.: **32,189**

[22] Filed: **Dec. 14, 1994**

[52] U.S. Cl. **D12/213**

[58] Field of Search D23/307; D12/213;
301/37.1, 37.36; 118/505, 504

4,955,670	9/1990	Koller	301/37 R
5,039,172	8/1991	Krieger	301/37 R
5,058,958	10/1991	Schartz	301/37 R
5,263,770	11/1993	Goudey	301/37.1 X
5,423,599	6/1995	Sherod et al.	301/37.36 X

Primary Examiner—Stella Reid
Assistant Examiner—E. Watterson
Attorney, Agent, or Firm—Dennis T. Griggs

[57] CLAIM

The ornamental design for a spray shield, as shown and described.

DESCRIPTION

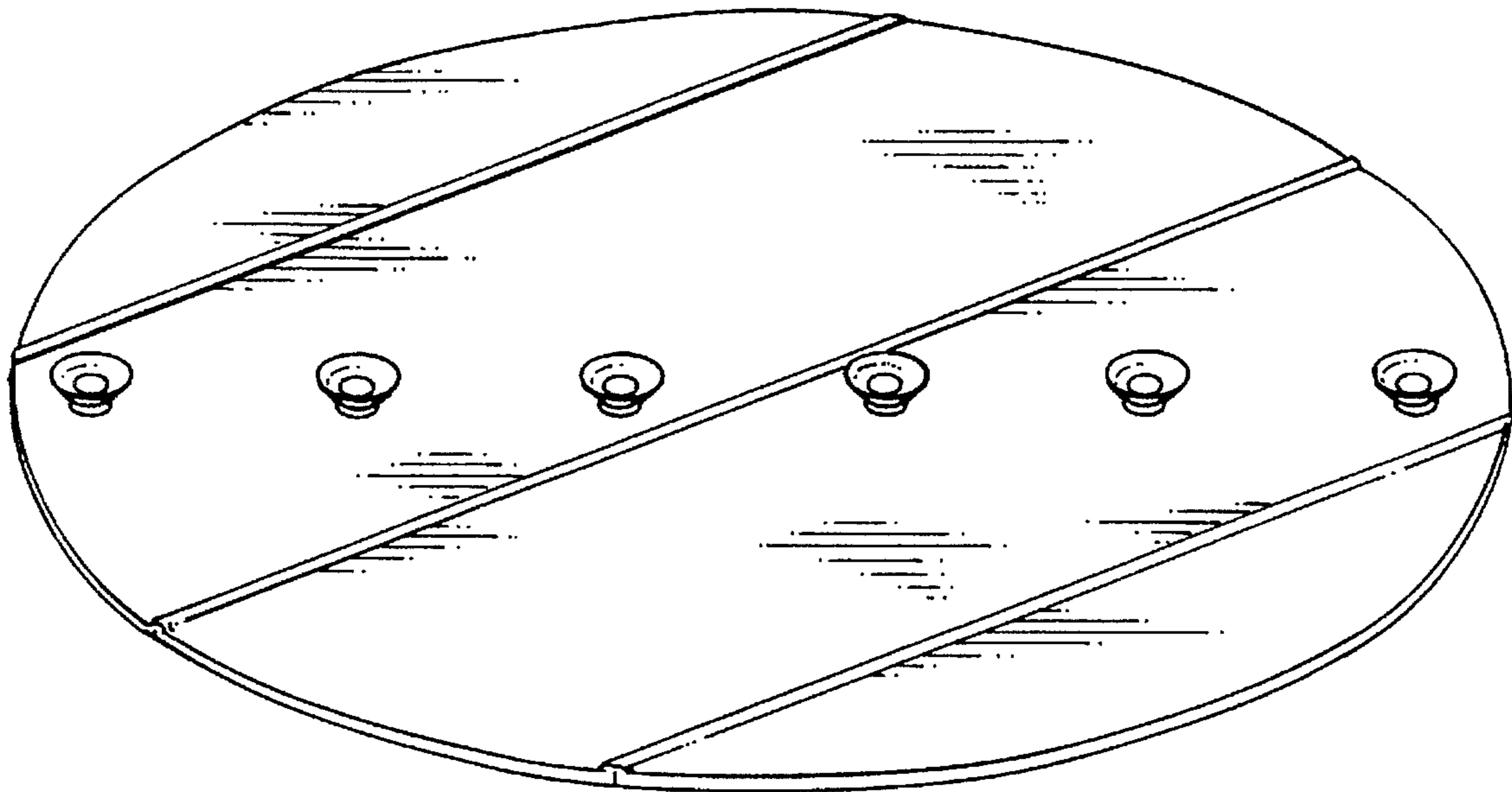
FIG. 1 is a perspective view of a spray shield showing my new design;
FIG. 2 is a front elevational view thereof, the rear elevational view being a mirror image thereof;
FIG. 3 is a right side elevational view thereof, the left side elevational view being a mirror image thereof;
FIG. 4 is a top plan view thereof; and,
FIG. 5 is a bottom plan view thereof.

1 Claim, 2 Drawing Sheets

[56] References Cited

U.S. PATENT DOCUMENTS

D. 340,220	10/1993	Rocamora et al.	D12/213
3,854,448	12/1974	Kromanaker	118/505
4,574,731	3/1986	Stevens et al.	118/504
4,628,858	12/1986	King et al.	118/504
4,784,440	11/1988	Fair	301/37 R
4,787,331	11/1988	Jarvis	118/504
4,792,191	12/1988	Farmer	301/37 R
4,811,991	3/1989	Moreno et al.	301/37 R
4,874,206	10/1989	Sampson	301/37 R



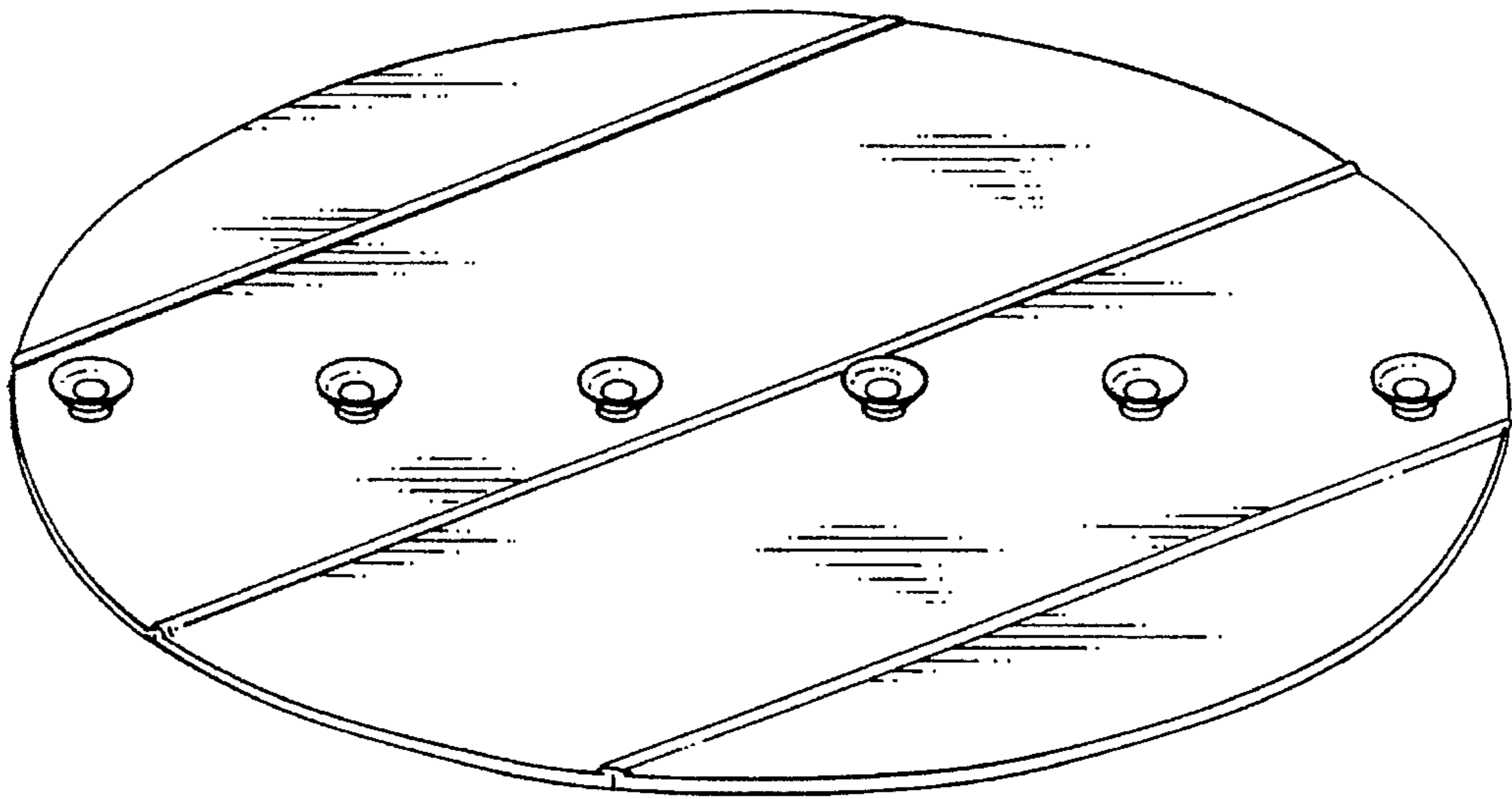


FIG. 1



FIG. 2



FIG. 3

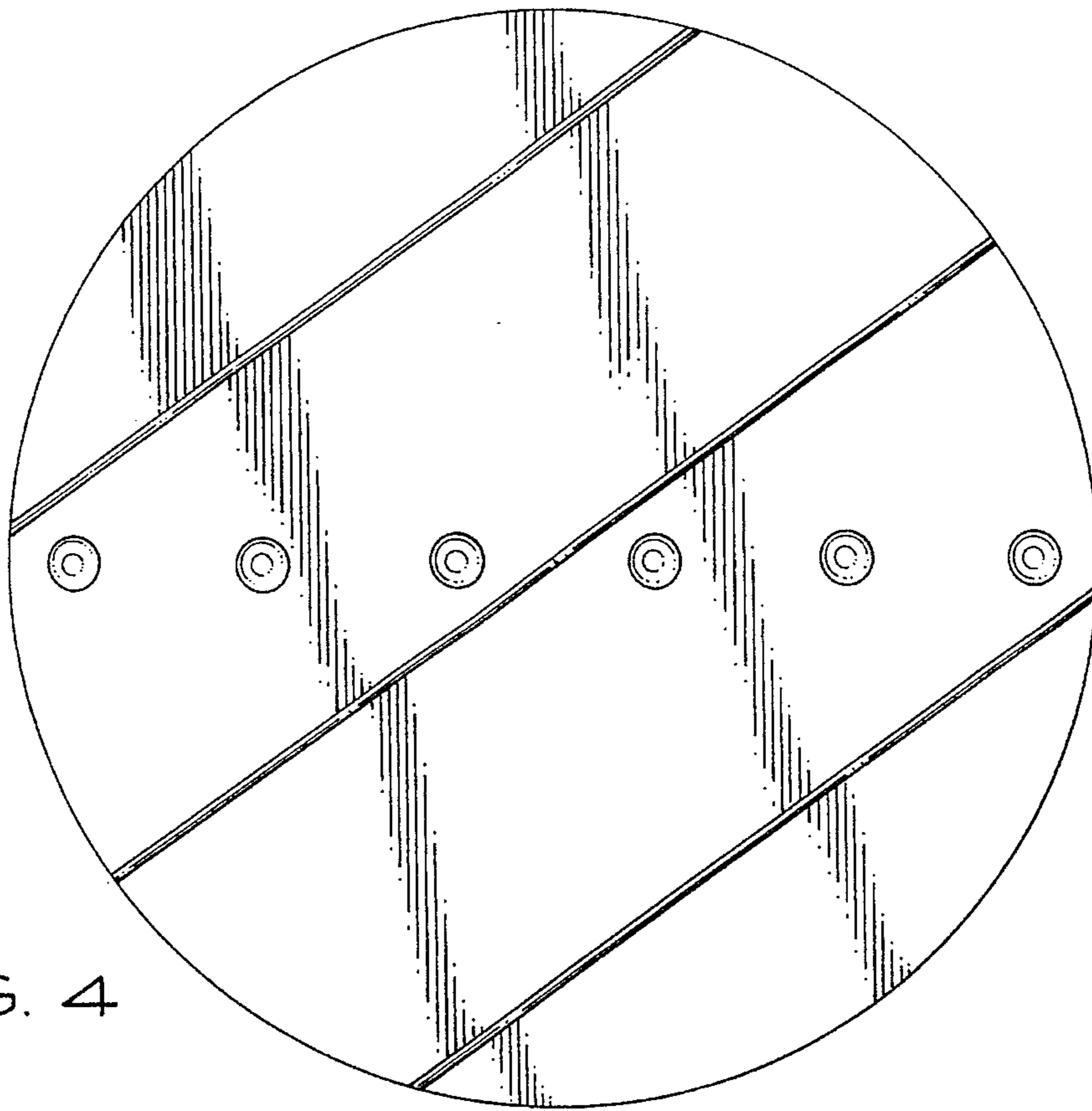


FIG. 4

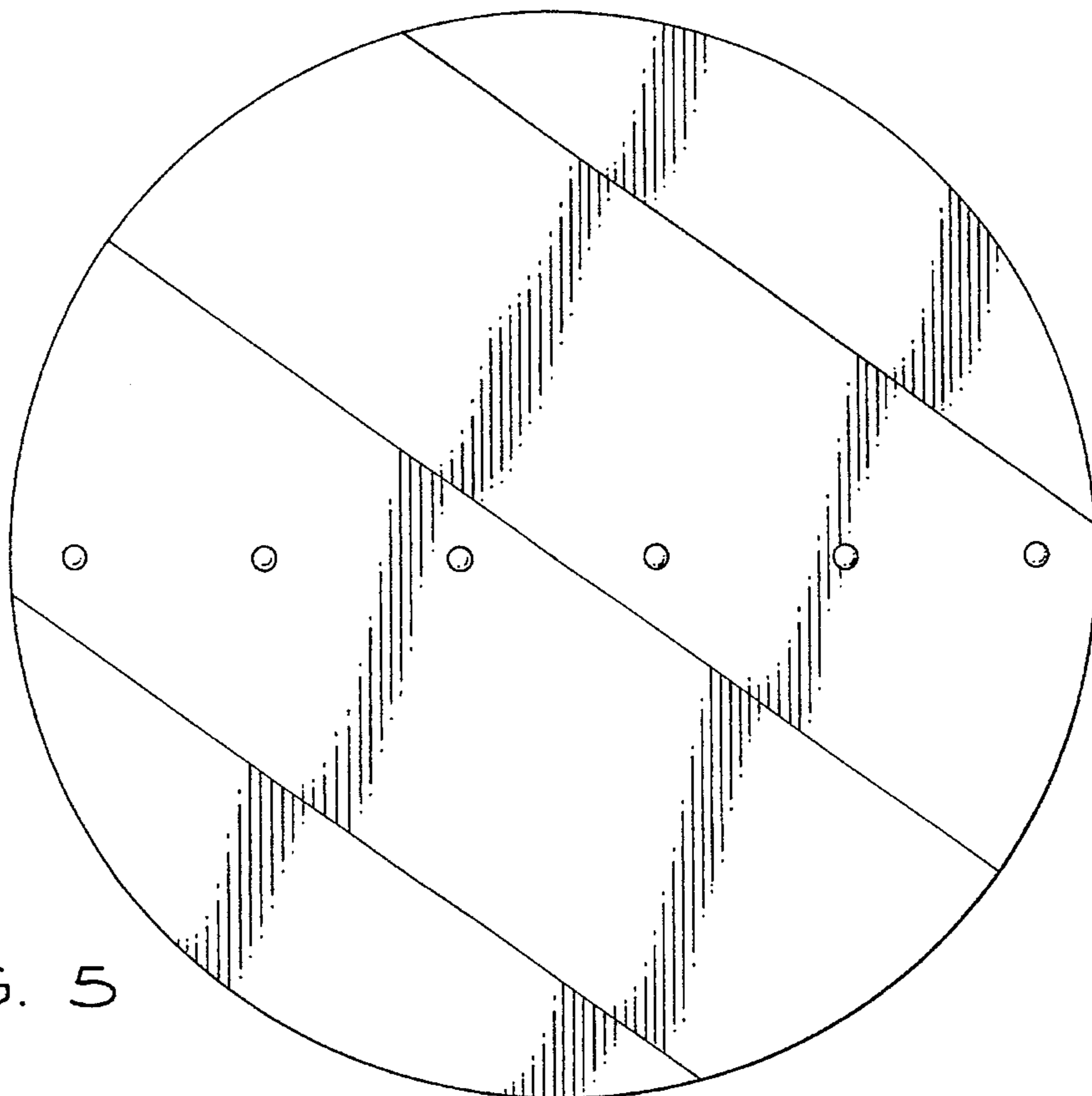


FIG. 5