



US00D371328S

United States Patent [19] Nagashima

[11] **Patent Number:** **Des. 371,328**
[45] **Date of Patent:** ****Jul. 2, 1996**

[54] **EXTERIOR SURFACE CONFIGURATION OF AN AUTOMOBILE**

[75] Inventor: **Joji Nagashima**, Muenich, Germany

[73] Assignee: **Bayerische Motoren Werke AG**,
Munich, Germany

[**] Term: **14 Years**

[21] Appl. No.: **28,962**

[22] Filed: **Sep. 27, 1994**

[30] **Foreign Application Priority Data**

Apr. 2, 1994 [DE] Germany 94 02 969.5

[52] **U.S. Cl.** **D12/92**

[58] **Field of Search** D12/82-3, 86,
D12/88-92; D21/78; 296/185-6

[56] **References Cited**

U.S. PATENT DOCUMENTS

D. 351,573 10/1994 Kong et al. D12/92

OTHER PUBLICATIONS

Car and Driver, Audi Cabriolet, Jun. 1993, p. 70.
Auto Car & Motor, Mercedes-Benz 320CE, Apr. 14, 1993,
p. 64.
Car and Driver, Mercedes-Benz 300, Nov. 1992, pp. 85-86.
Auto Car & Motor, BMW 325i convertible, Nov. 18, 1992,
p. 5.

Primary Examiner—M. H. Tung
Attorney, Agent, or Firm—Evenson McKeown Edwards &
Lenahan

[57] **CLAIM**

The ornamental design for an exterior surface configuration of an automobile, as shown and described.

DESCRIPTION

FIG. 1 is a front, left side perspective view of an exterior

surface configuration of an automobile according to my novel design, with the top up;

FIG. 2 is a front, left side perspective view of an exterior surface configuration of an automobile according to my novel design, with the top down;

FIG. 3 is a left side view of an exterior surface configuration of an automobile according to my novel design, with the top up;

FIG. 4 is a left side view of an exterior surface configuration of an automobile according to my novel design, with the top up;

FIG. 5 is a right side view of an exterior surface configuration of an automobile according to my novel design, with the top up;

FIG. 6 is a rear, left side perspective view of an exterior surface configuration of an automobile according to my novel design, with the top up;

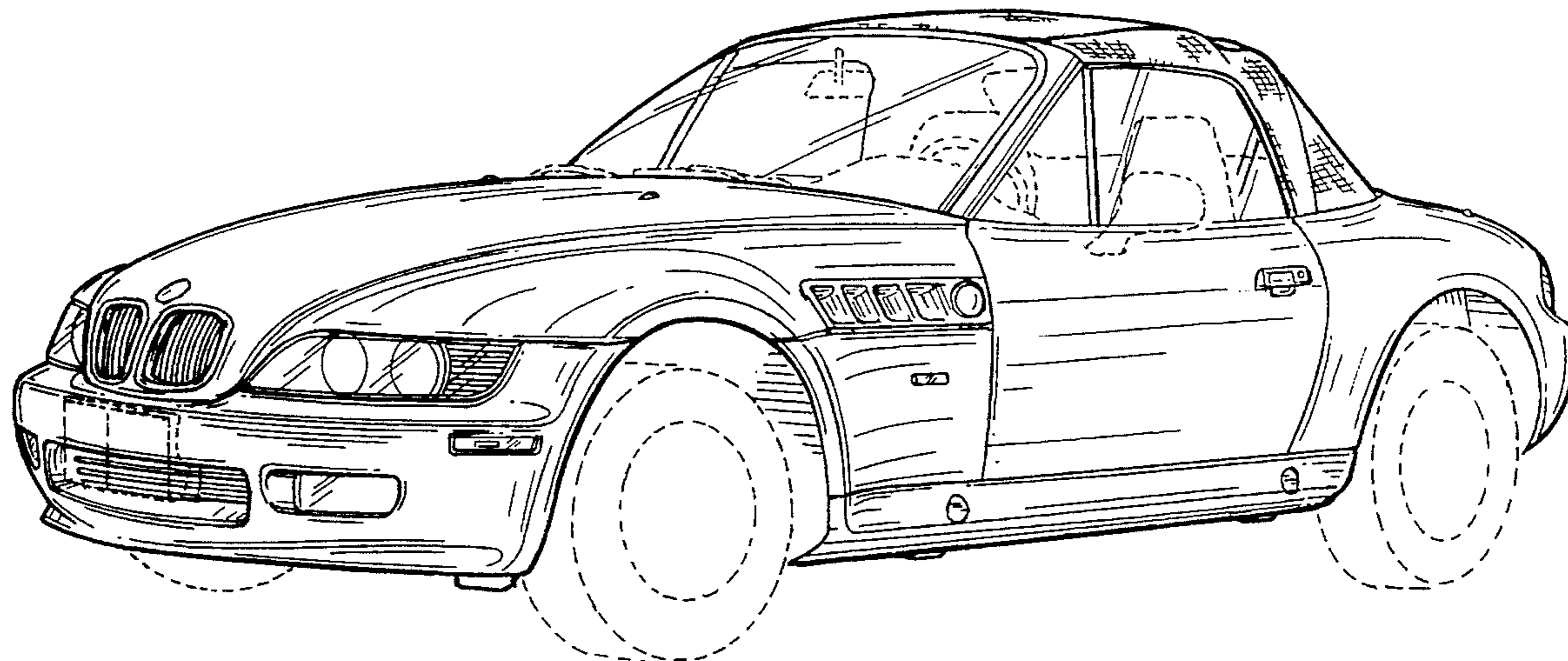
FIG. 7 is a front view of an exterior surface configuration of an automobile according to my novel design, with the top up;

FIG. 8 is a rear view of an exterior surface configuration of an automobile according to my novel design, with the top up; and,

FIG. 9 is a top plan view of an exterior surface configuration of an automobile according to my novel design.

The broken line drawings of the wheels, license plate holders, side view mirrors, rear view mirror, interior dashboard, and interior seating in all figure views are for illustrative purposes only and form no part of the claimed design.

1 Claim, 8 Drawing Sheets



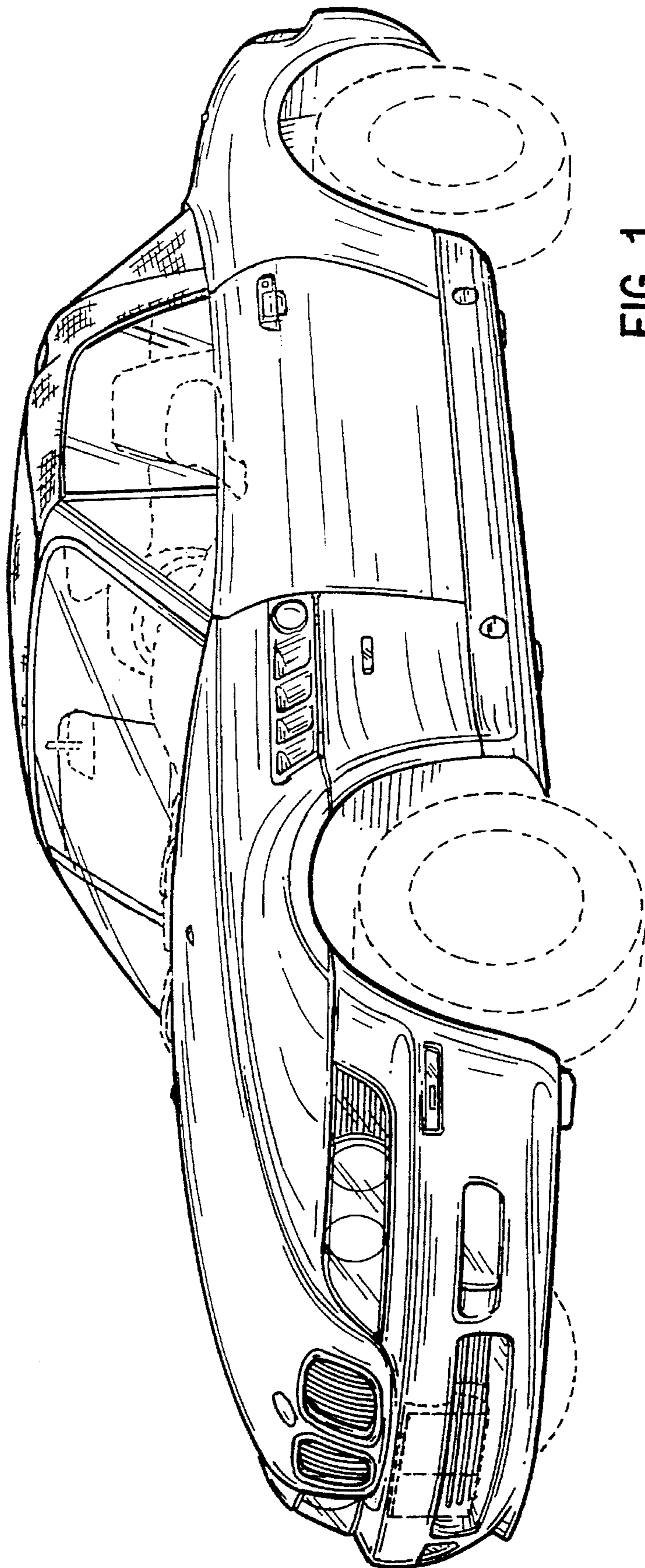


FIG. 1

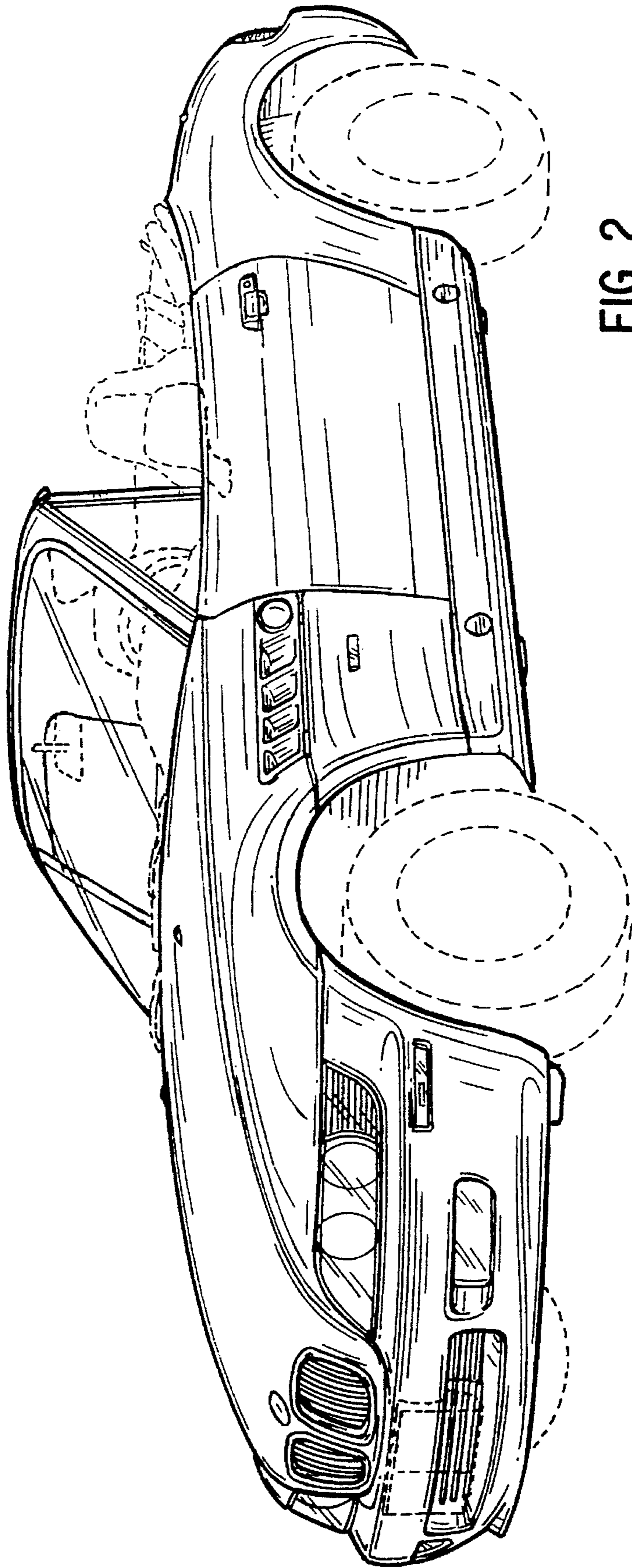


FIG. 2

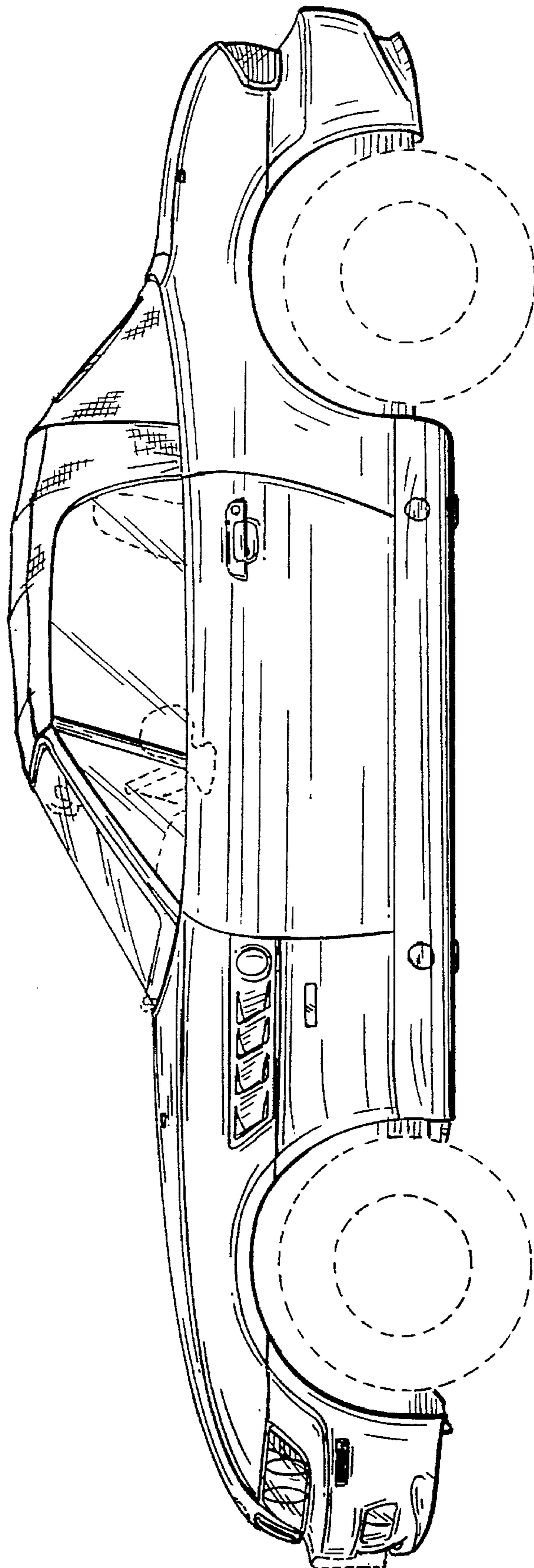


FIG. 3

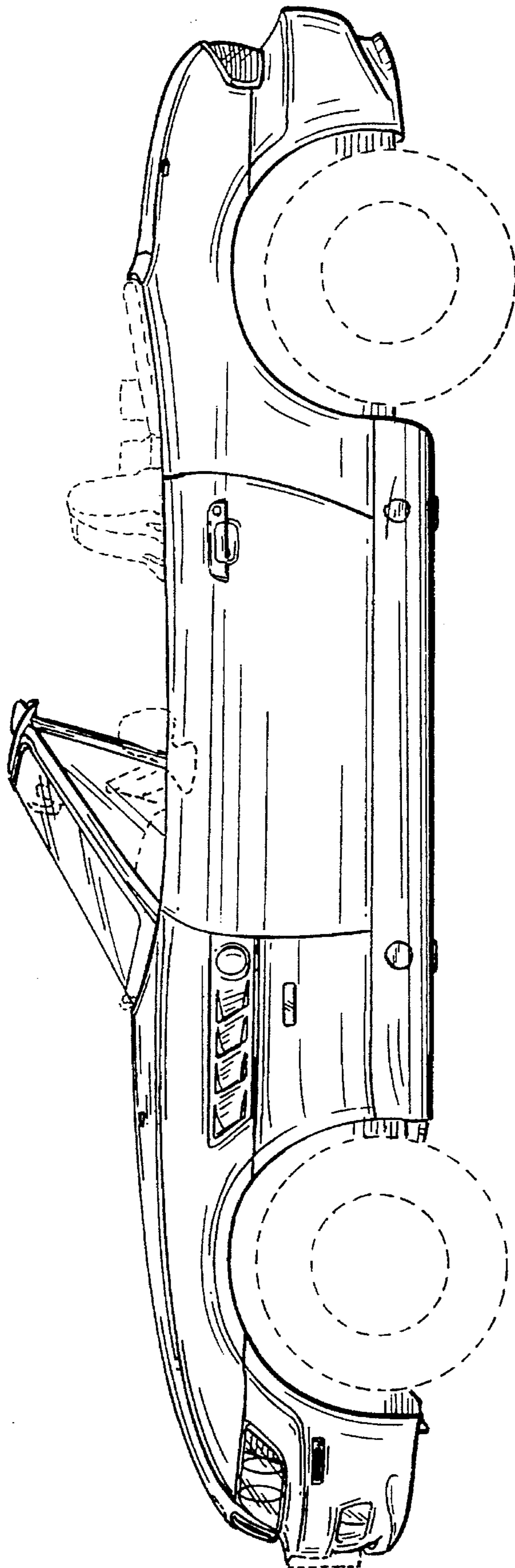


FIG. 4

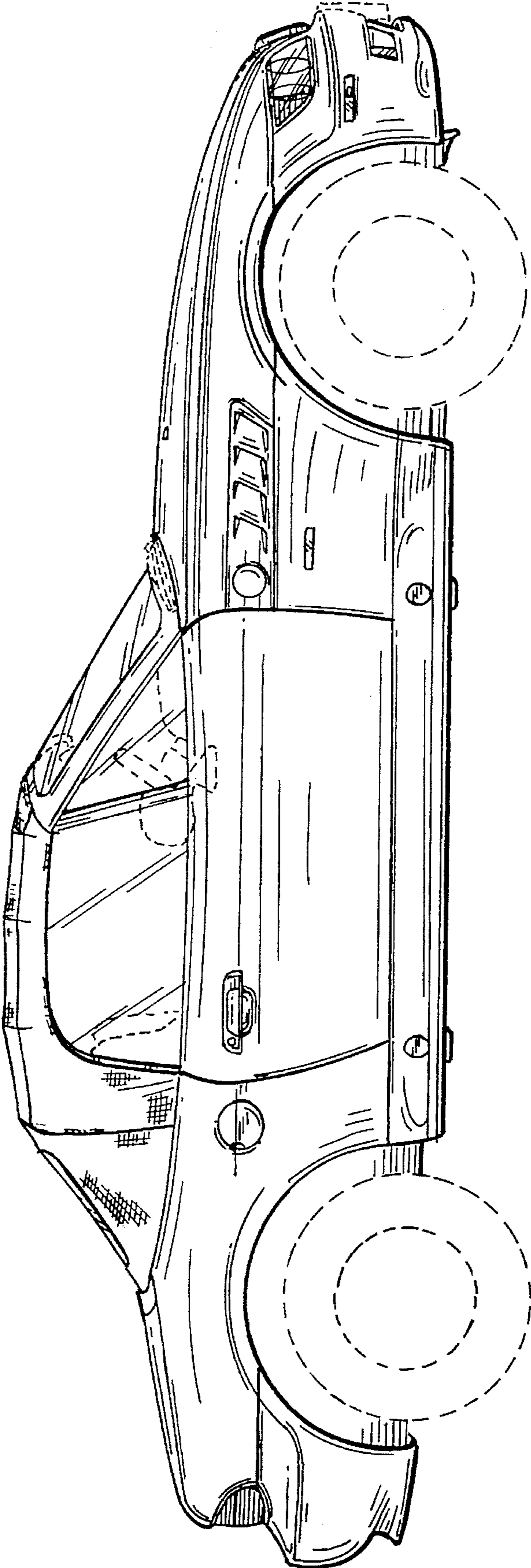


FIG. 5

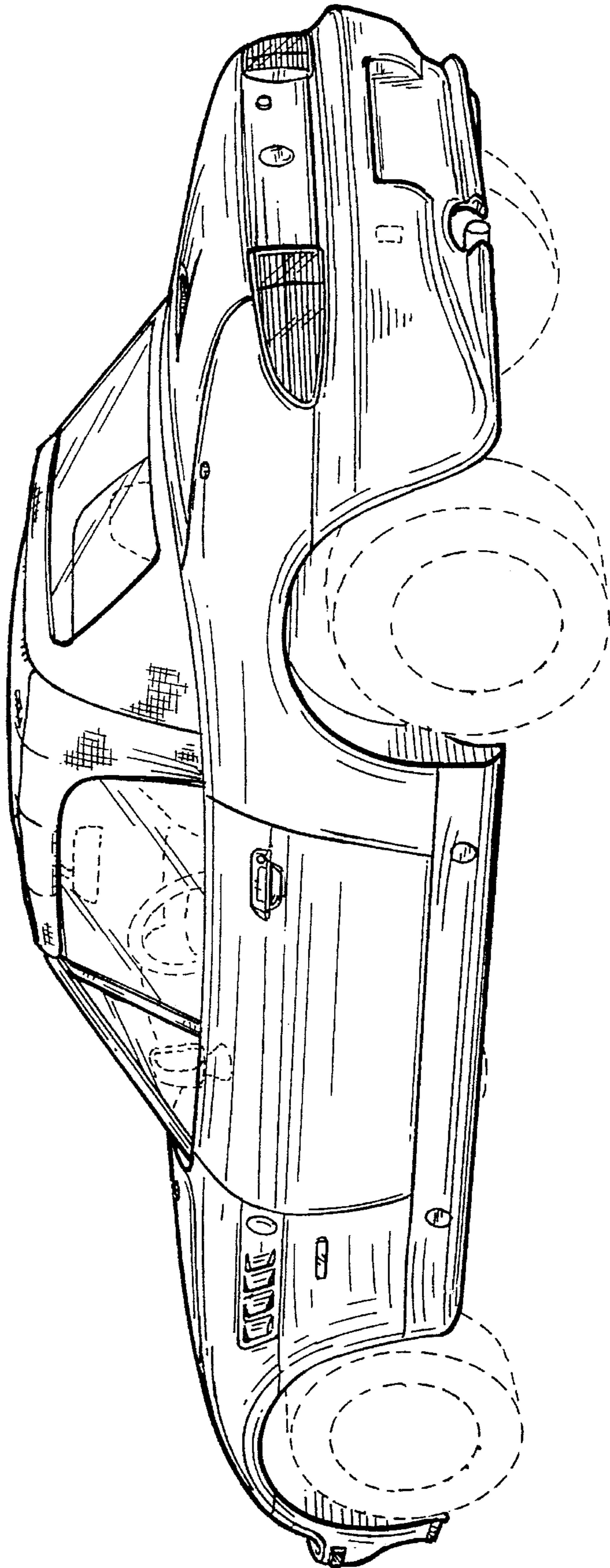


FIG. 6

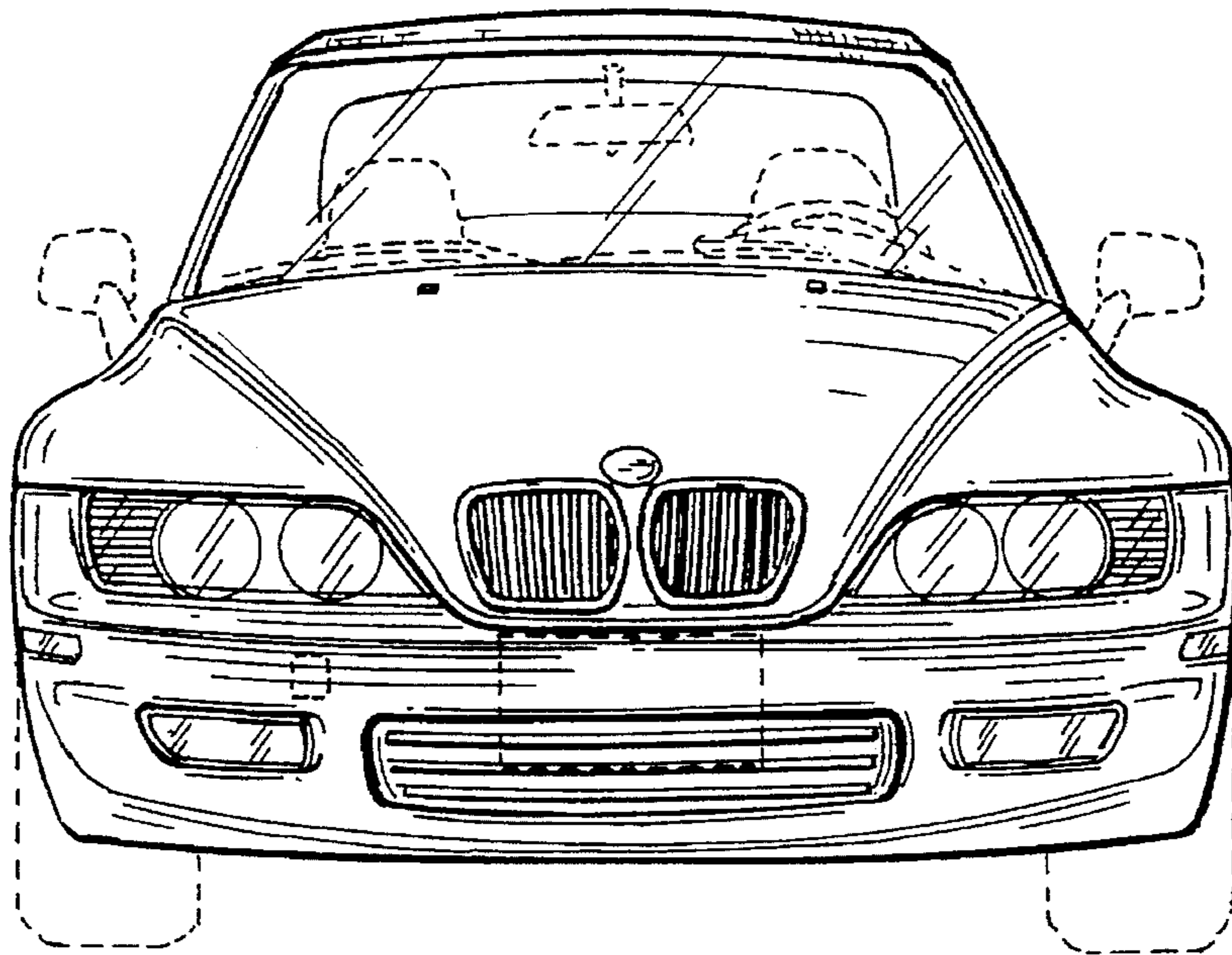


FIG. 7

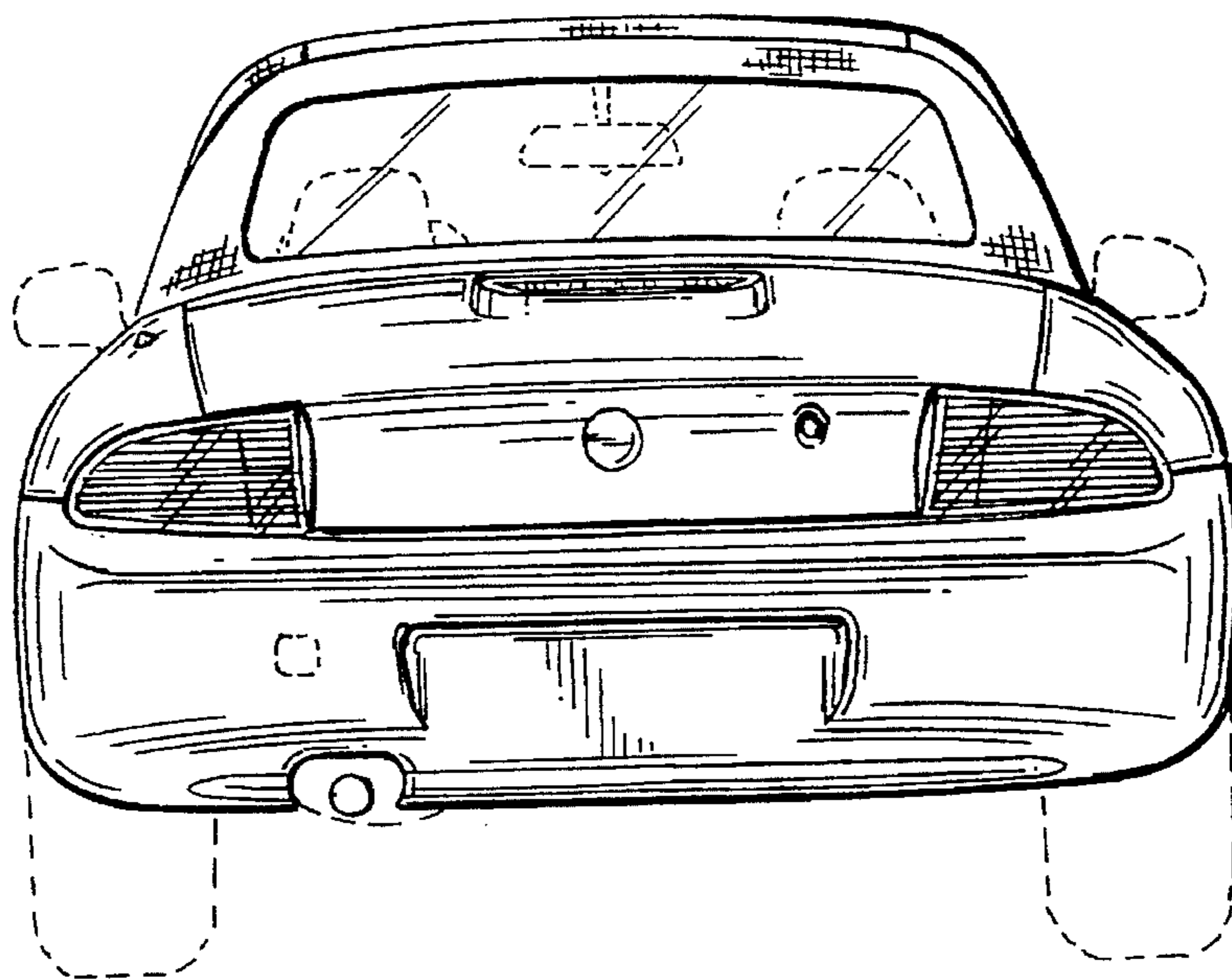


FIG. 8

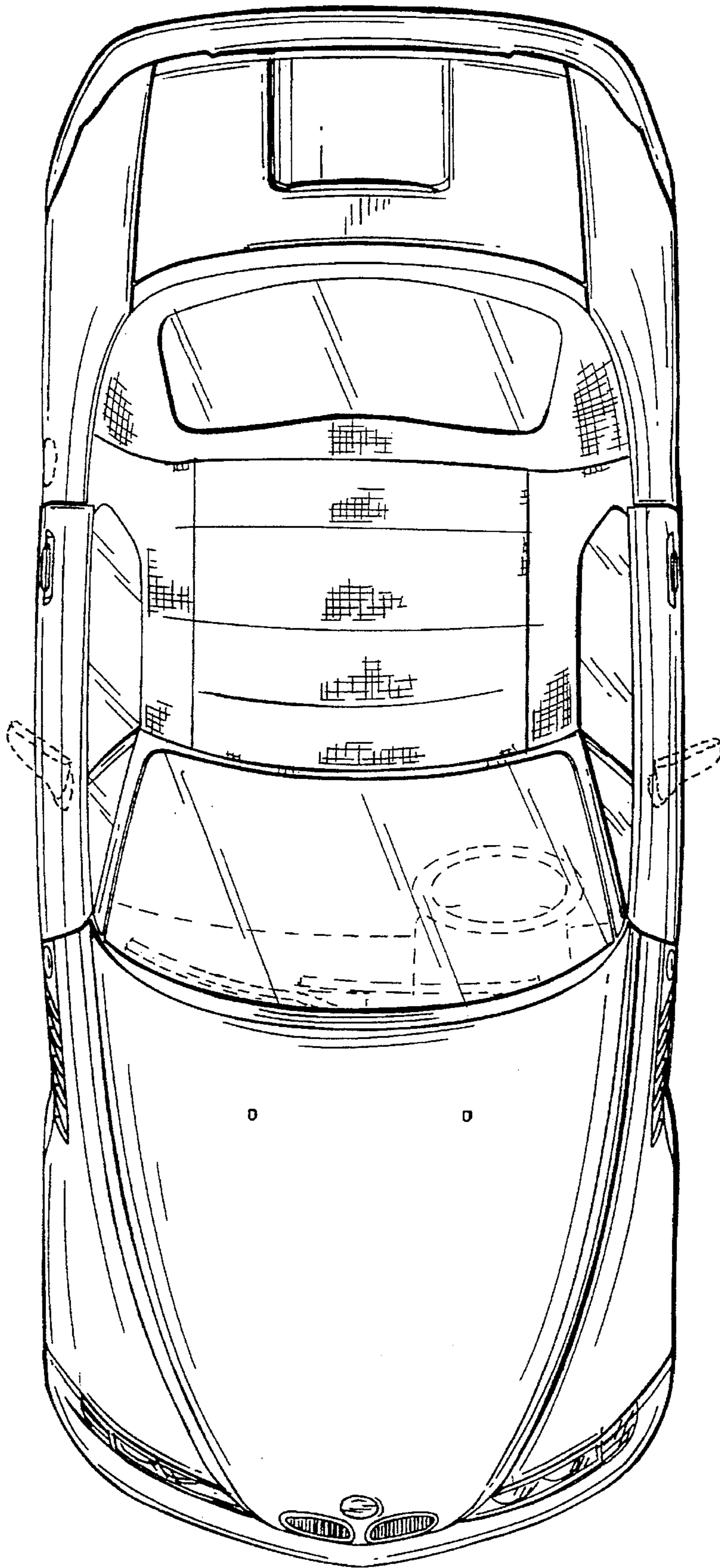


FIG. 9