



US00D371320S

United States Patent [19]

[11] Patent Number: **Des. 371,320**

Weder et al.

[45] Date of Patent: ***** Jul. 2, 1996**

[54] **FLOWER POT COVER**

[75] Inventors: **Donald E. Weder; Joseph G. Straeter,**
both of Highland, Ill.

[73] Assignees: **The Family Trust U/T/A; Southpac**
Trust International, Inc., both of
Highland, Ill.

1,065,486	6/1913	Washburn	229/400
2,054,934	9/1936	Graffenberger	229/1.5 B
2,102,510	12/1937	Cecil, 2D	229/1.5 B
2,355,559	8/1944	Renner	229/8
2,367,749	1/1945	Barbieri	229/1.5 B
3,443,741	5/1969	Stockdale	D9/431 X
5,127,817	7/1992	Weder et al.	425/383
5,339,565	8/1994	Weder et al.	229/1.5 B X

[*] Notice: The portion of the term of this patent subsequent to Aug. 29, 2009, has been disclaimed.

[**] Term: **14 Years**

[21] Appl. No.: **3,580**

[22] Filed: **Jan. 8, 1993**

FOREIGN PATENT DOCUMENTS

103316	3/1938	Australia	229/922
--------	--------	-----------	-------	---------

OTHER PUBLICATIONS

Exhibit A-Speed Cover® Brochure-The Simple Solution . . . , ©1989.

Primary Examiner—Jeffrey Asch
Attorney, Agent, or Firm—Dunlap & Coddling

Related U.S. Application Data

[63] Continuation-in-part of Ser. No. 807,678, Dec. 16, 1991, Pat. No. Des. 361,734, which is a continuation-in-part of Ser. No. 710,272, Jun. 4, 1991, which is a continuation-in-part of Ser. No. 617,454, Nov. 21, 1990, abandoned, Ser. No. 411,249, Sep. 22, 1989, Pat. No. Des. 358,113, Ser. No. 411,247, Sep. 22, 1989, and Ser. No. 411,245, Sep. 22, 1989, abandoned.

[52] **U.S. Cl.** **D11/164**

[58] **Field of Search** D11/143, 149, D11/152-156, 164, 89, 90; 47/66, 72; 206/423; 215/100.5; 229/1.5 R, 1.5 B, 4.5, 87.01, 922, 930, 108, 108.1, 109, 110; 428/27, 35.1, 24, 542.6; D9/346, 428-431; D27/102, 133; D26/128-136; D19/96; D7/540, 584, 586, 587, 354

[57] CLAIM

The ornamental design for a flower pot cover, as shown and described.

DESCRIPTION

FIG. 1 is a perspective view of our new flower pot cover design;
 FIG. 2 is a side elevational view thereof;
 FIG. 3 is a top plan view thereof;
 FIG. 4 is a bottom plan view thereof;
 FIG. 5 is a side elevational view of the design of FIG. 1, the only difference being in the horizontal angle of the skirt;
 FIG. 6 is a side elevational view of the design of FIG. 1, the only difference being in the near vertical angle of the skirt;
 FIG. 7 is a side elevational view of the design of FIG. 1, the only difference being in the downward angle of the skirt;
 FIG. 8 is a perspective view of a second embodiment of our new flower pot cover design;
 FIG. 9 is a side elevational view thereof;
 FIG. 10 is a top plan view thereof;
 FIG. 11 is a bottom plan view thereof;
 FIG. 12 is a side elevational view of the design of FIG. 8, the only difference being in the horizontal angle of the skirt;
 FIG. 13 is a side elevational view of the design of FIG. 8, the only difference being in the near vertical angle of the skirt;

[56] References Cited

U.S. PATENT DOCUMENTS

D. 292,182	10/1987	Weder et al.	D11/164
D. 292,562	11/1987	Weder et al.	D11/164
D. 293,224	12/1987	Weder et al.	D11/164
D. 293,775	1/1988	Weder et al.	D11/164
D. 313,574	1/1991	Weder et al.	D11/164
D. 317,583	6/1991	Weder et al.	D11/164
D. 318,030	7/1991	Weder et al.	D11/164
D. 327,234	6/1992	Vaughn	D11/143
D. 355,392	2/1995	Weder et al.	D11/164 X

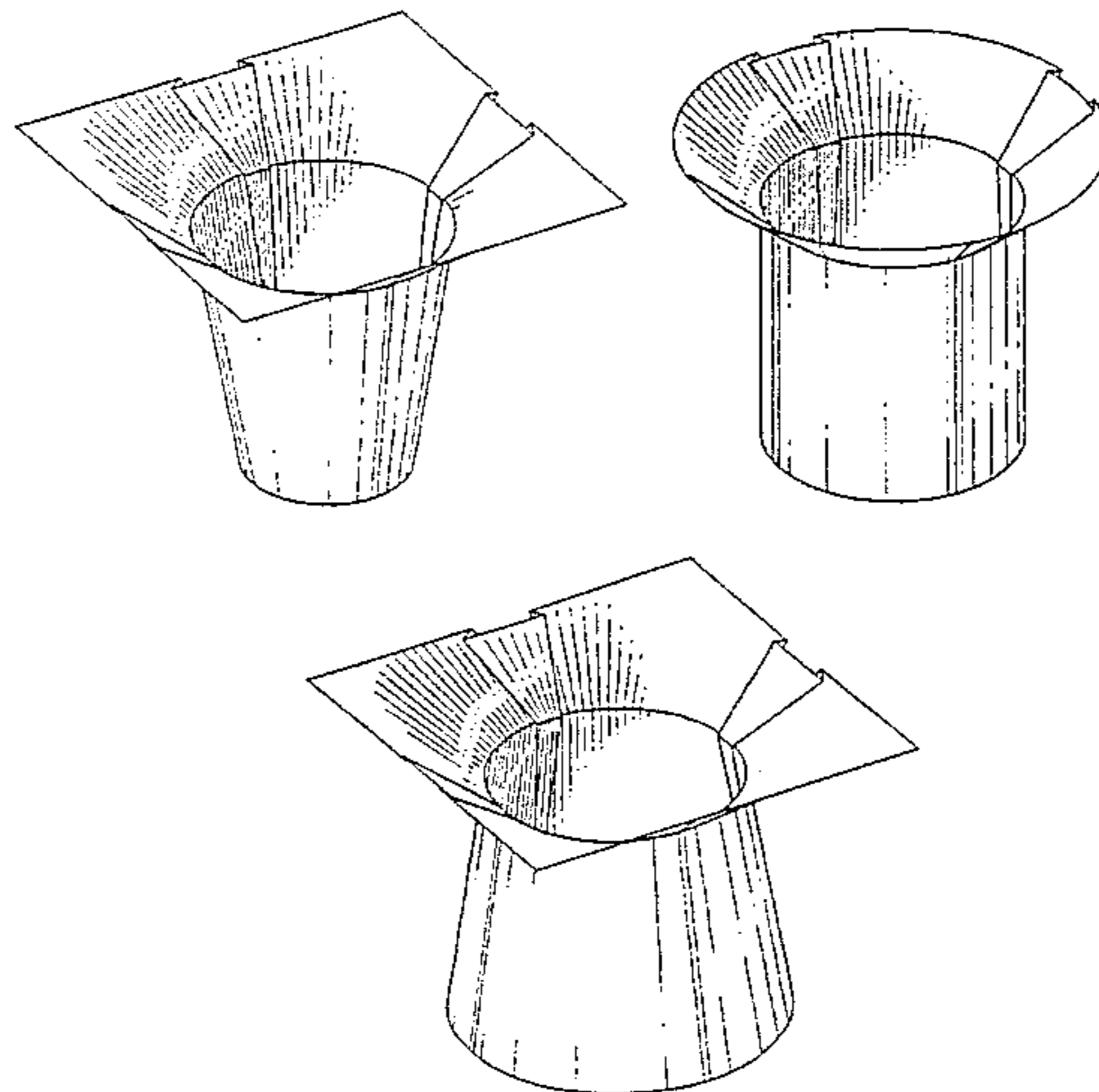


FIG. 14 is a side elevational view of the design of FIG. 8, the only difference being in the downward angle of the skirt;
FIG. 15 is a perspective view of a third embodiment of our new flower pot cover design;
FIG. 16 is a side elevational view thereof;
FIG. 17 is a top plan view thereof;
FIG. 18 is a bottom plan view thereof;
FIG. 19 is a side elevational view of the design of FIG. 15, the only difference being in the horizontal angle of the skirt;
FIG. 20 is a side elevational view of the design of FIG. 15, the only difference being in the near vertical angle of the skirt;
FIG. 21 is a side elevational view of the design of FIG. 15, the only difference being in the downward angle of the skirt;
FIG. 22 is a perspective view of a fourth embodiment of our new flower pot cover design;

FIG. 23 is a side elevational view thereof;
FIG. 24 is a top plan view thereof;
FIG. 25 is a bottom plan view thereof;
FIG. 26 is a side elevational view of the design of FIG. 22, the only difference being in the horizontal angle of the skirt;
FIG. 27 is a side elevational view of the design of FIG. 22, the only difference being in the near vertical angle of the skirt; and,
FIG. 28 is a side elevational view of the design of FIG. 22, the only difference being in the downward angle of the skirt. The characteristic feature of the design resides in the specific pleating arrangement, comprised of the parallel disposition of the exterior folds, in combination with the interior V-shaped folds, all as best seen in FIGS. 1, 8, 15 and 22.

1 Claim, 6 Drawing Sheets

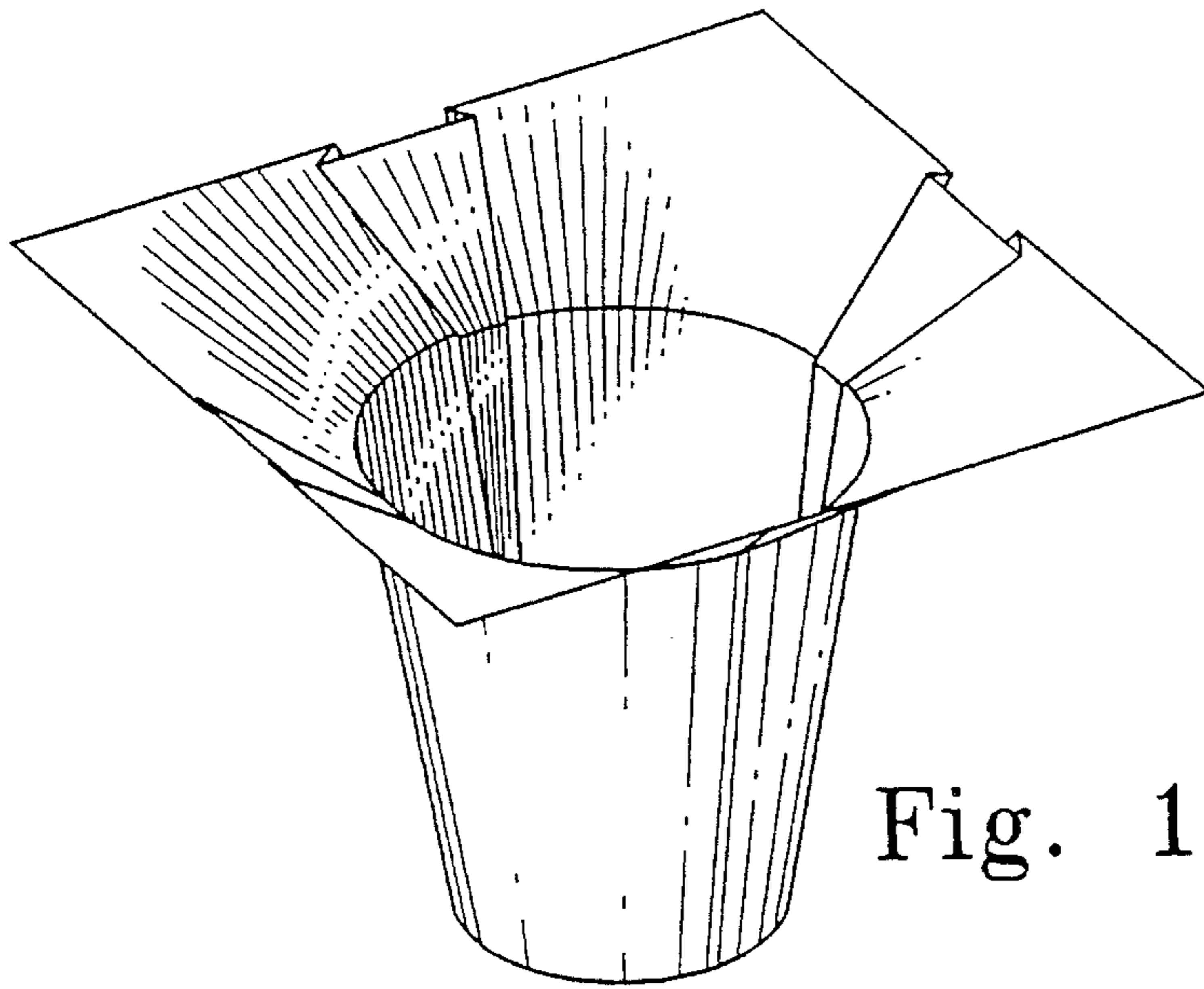


Fig. 1

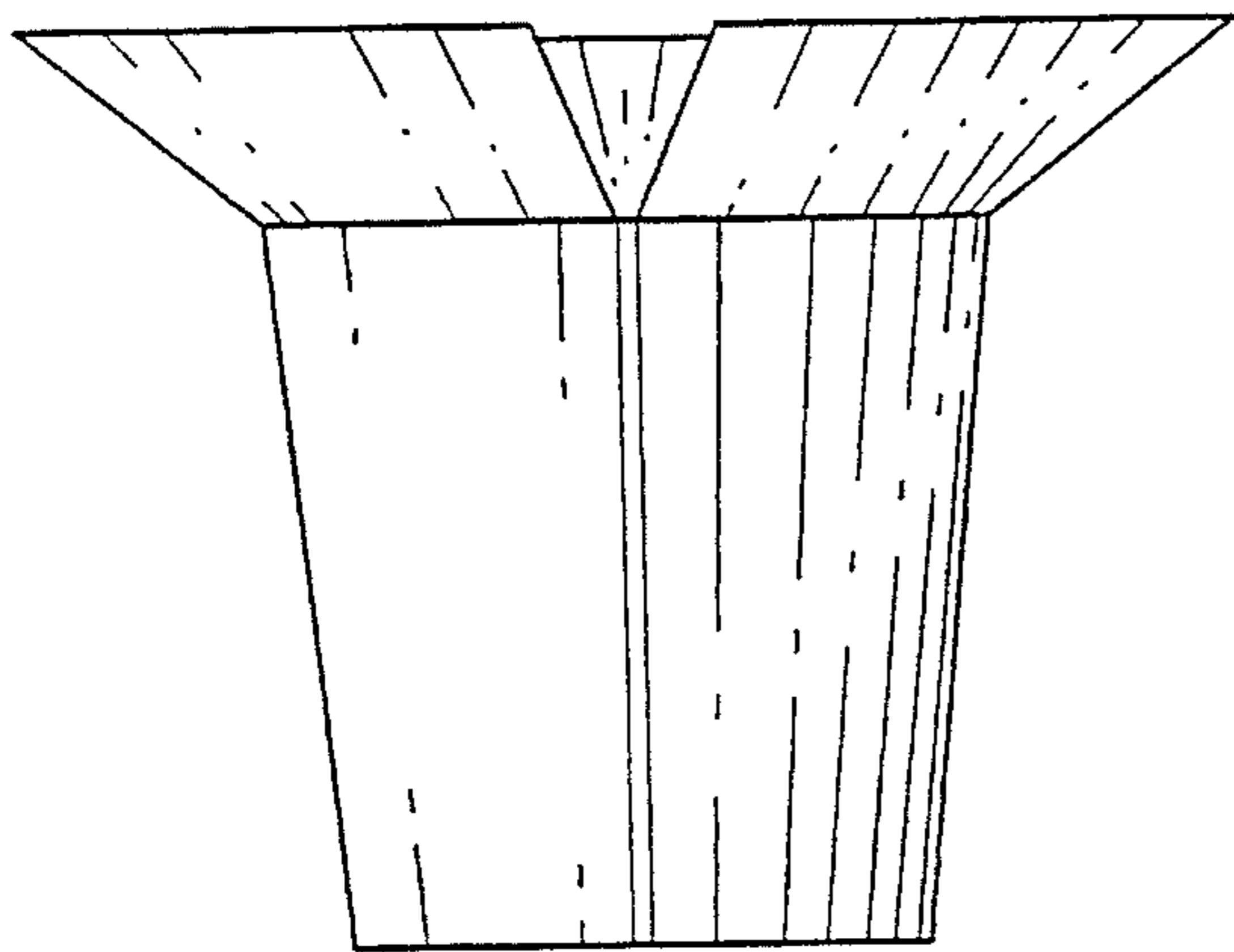


Fig. 2

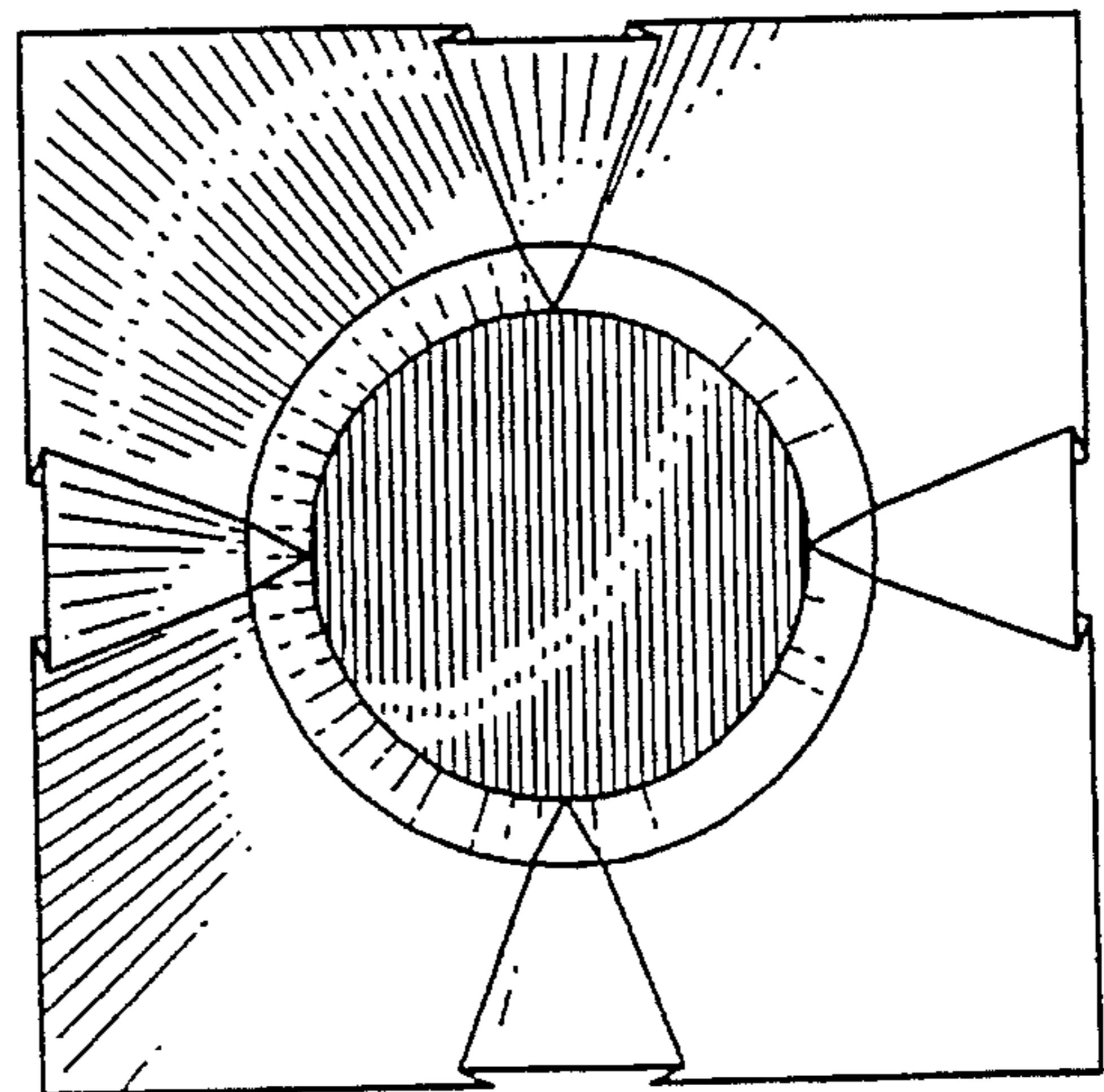


Fig. 3

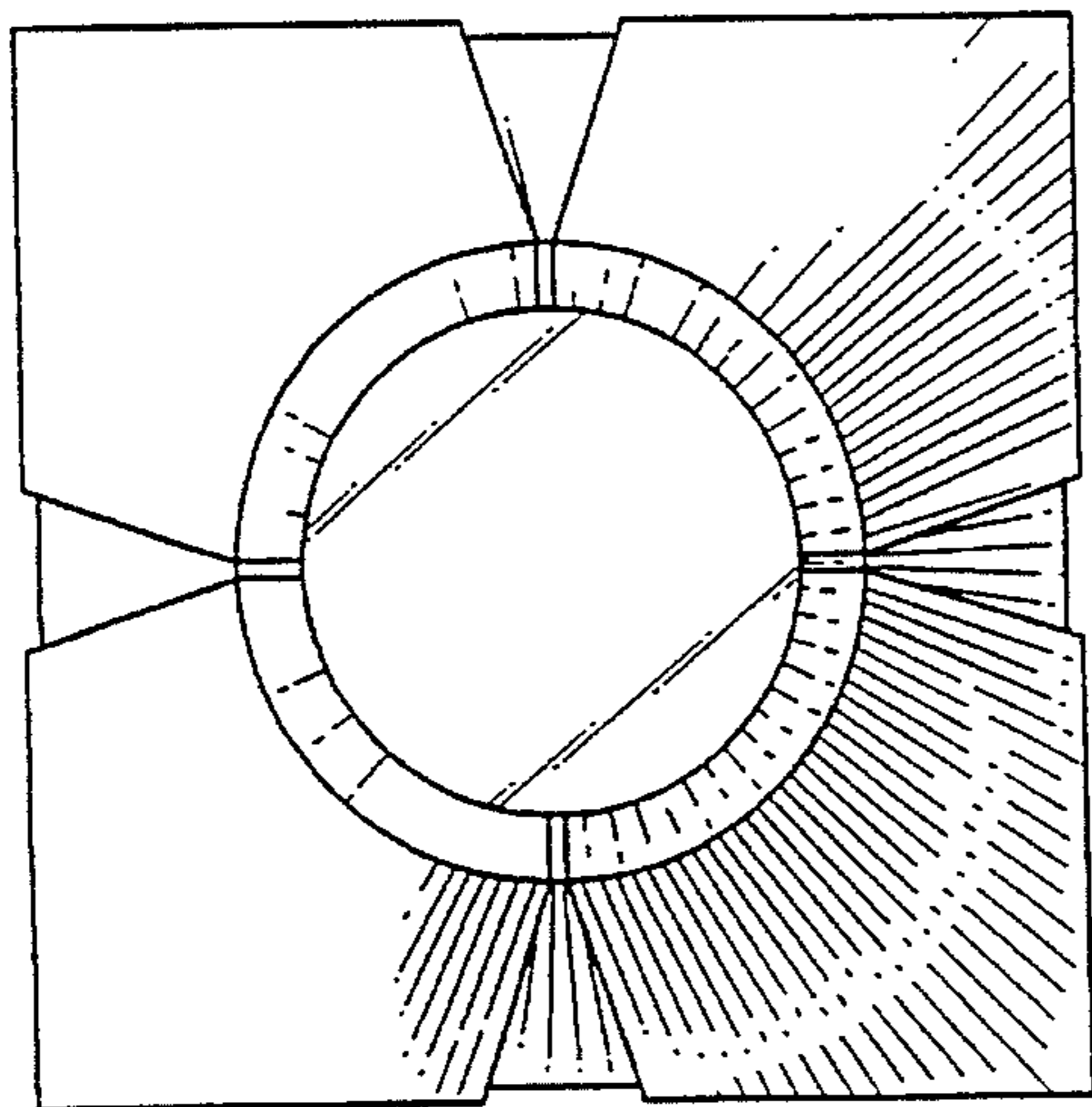


Fig. 4

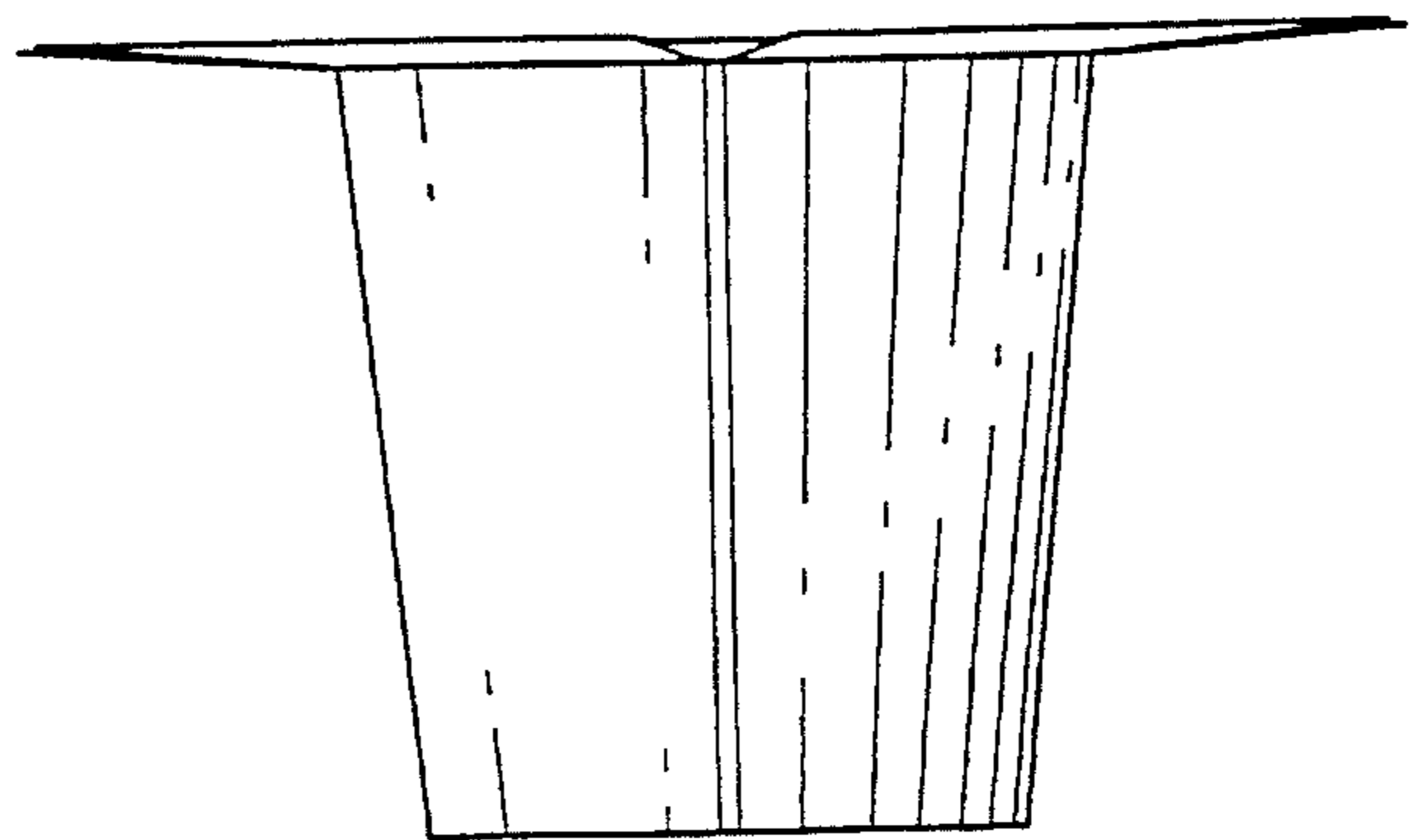


Fig. 5

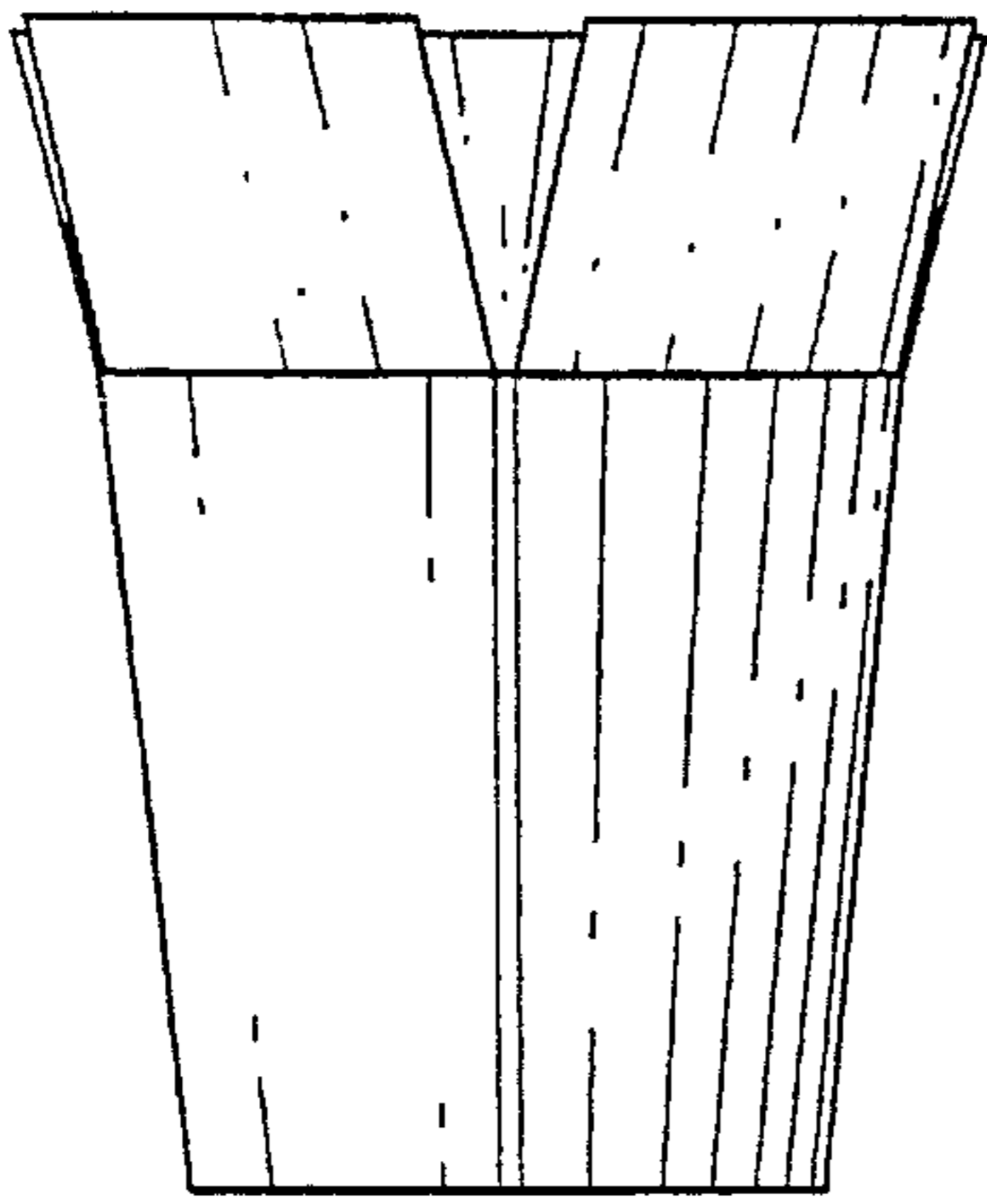


Fig. 6

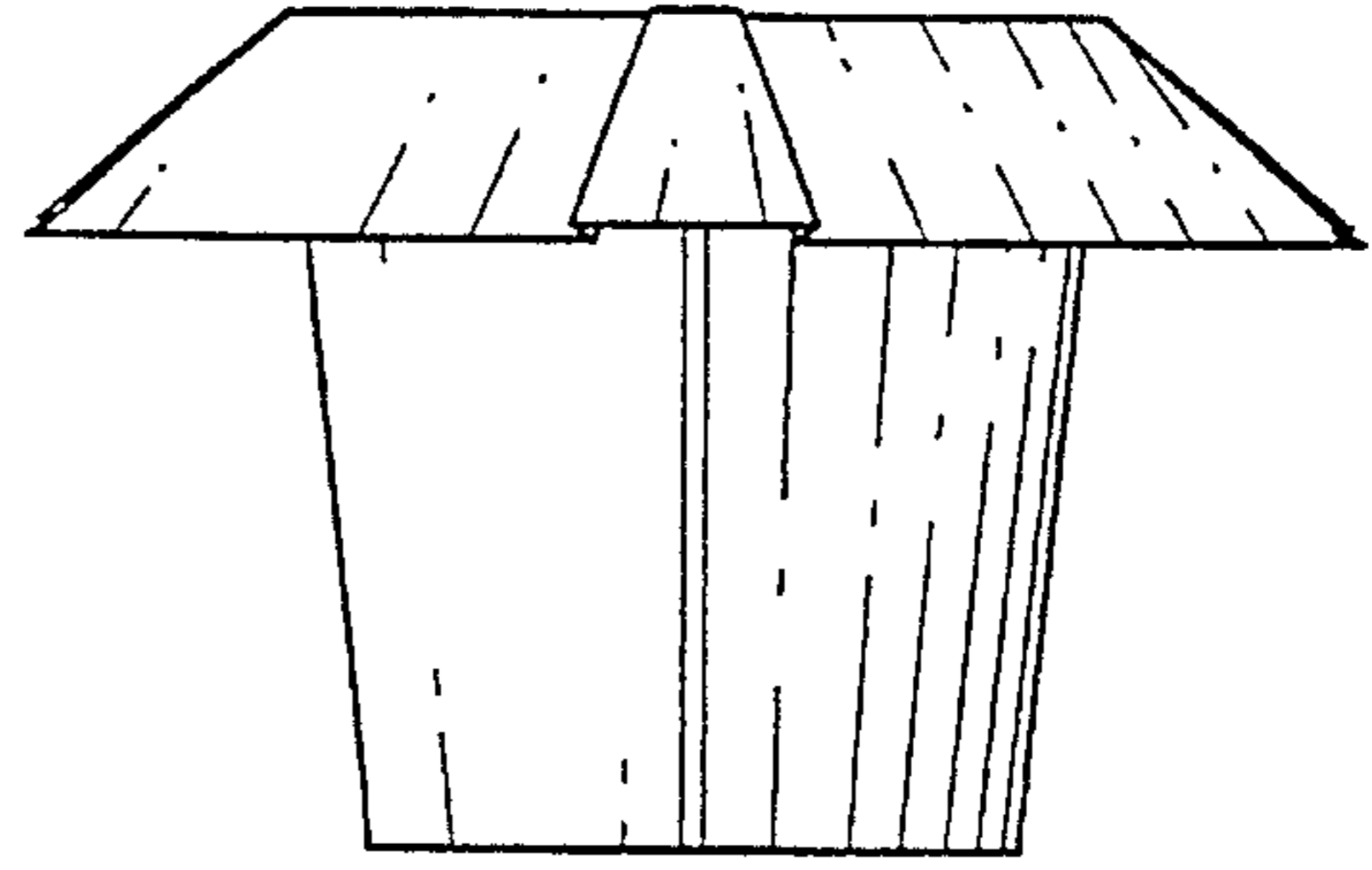


Fig. 7

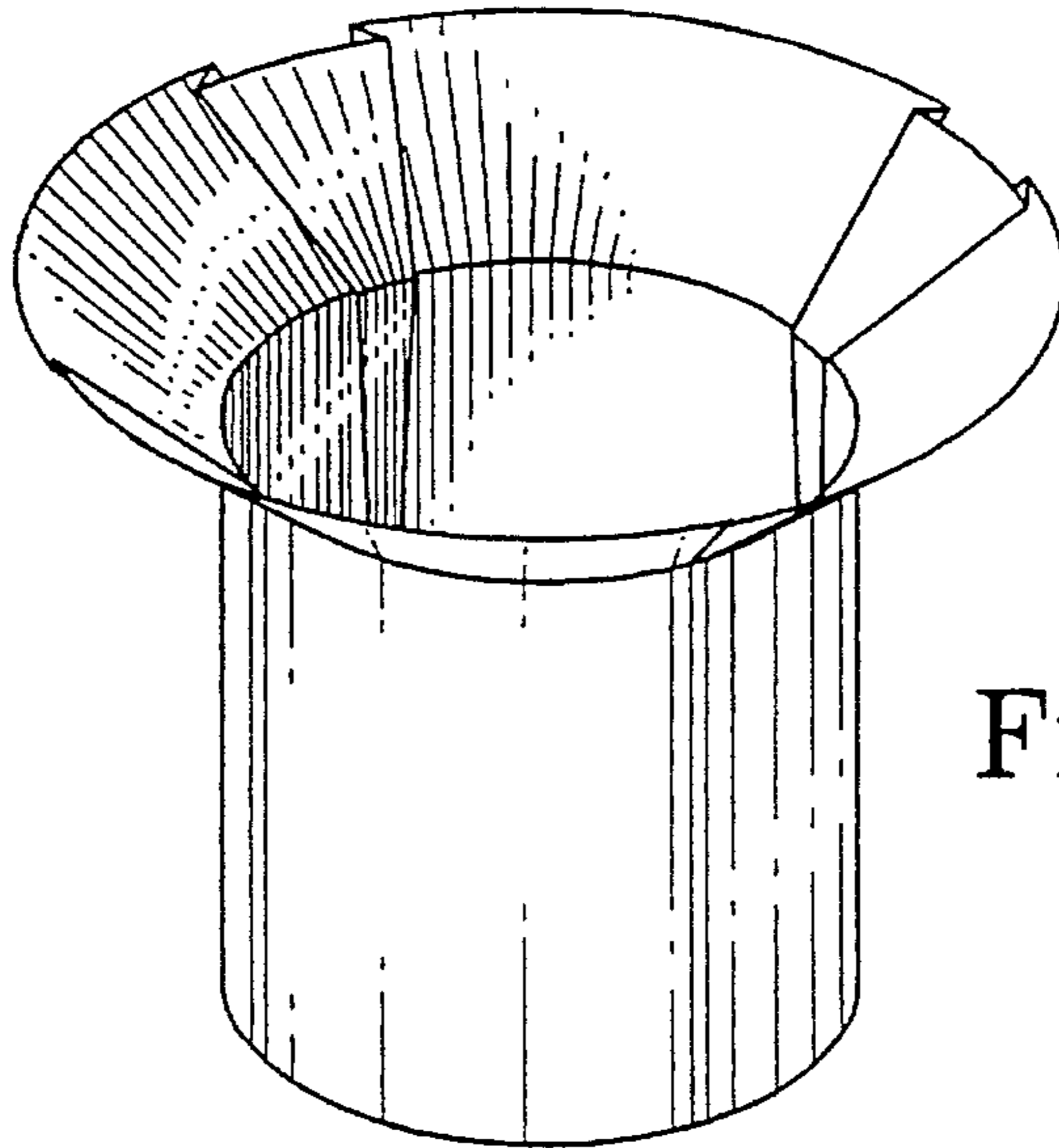


Fig. 8

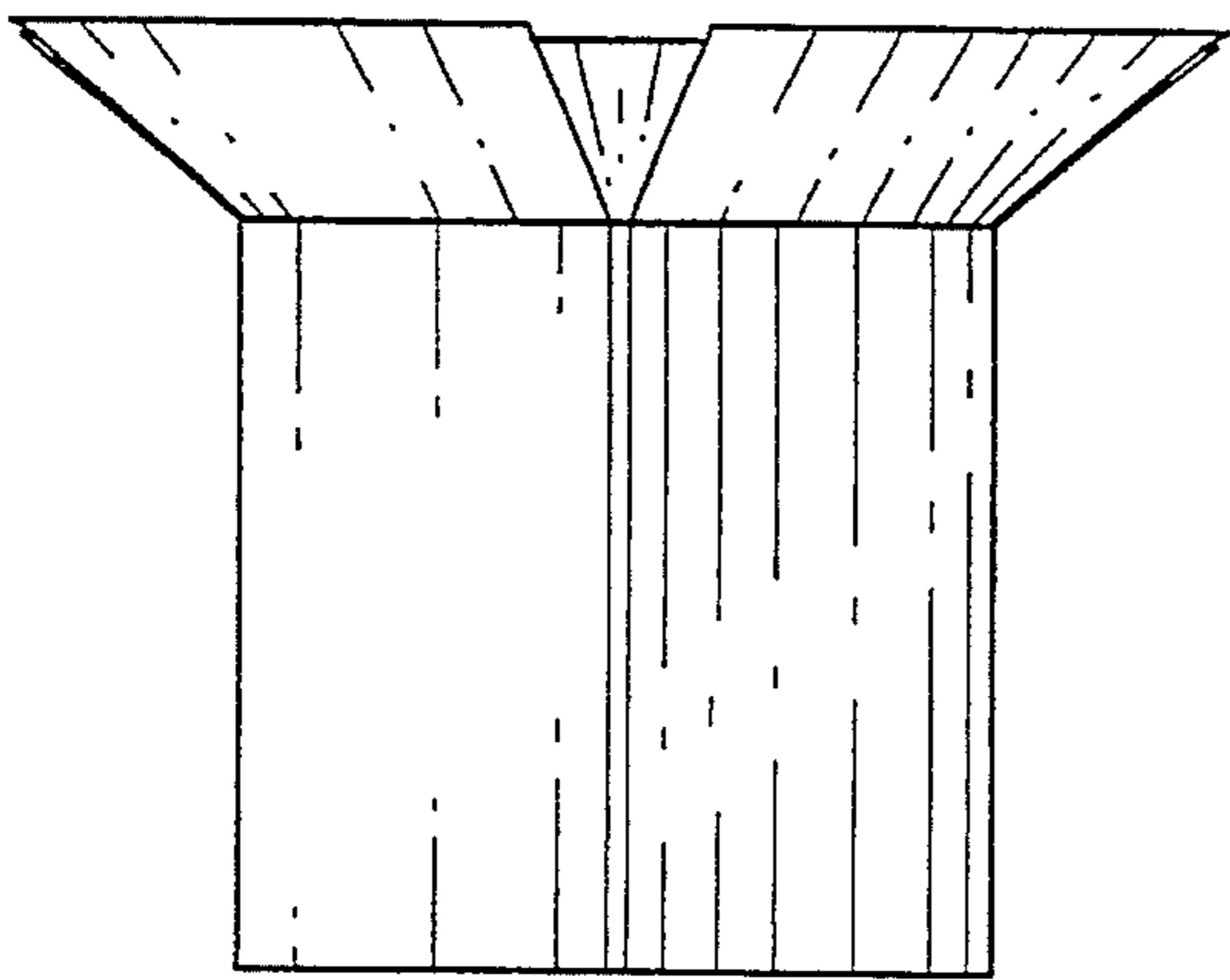


Fig. 9

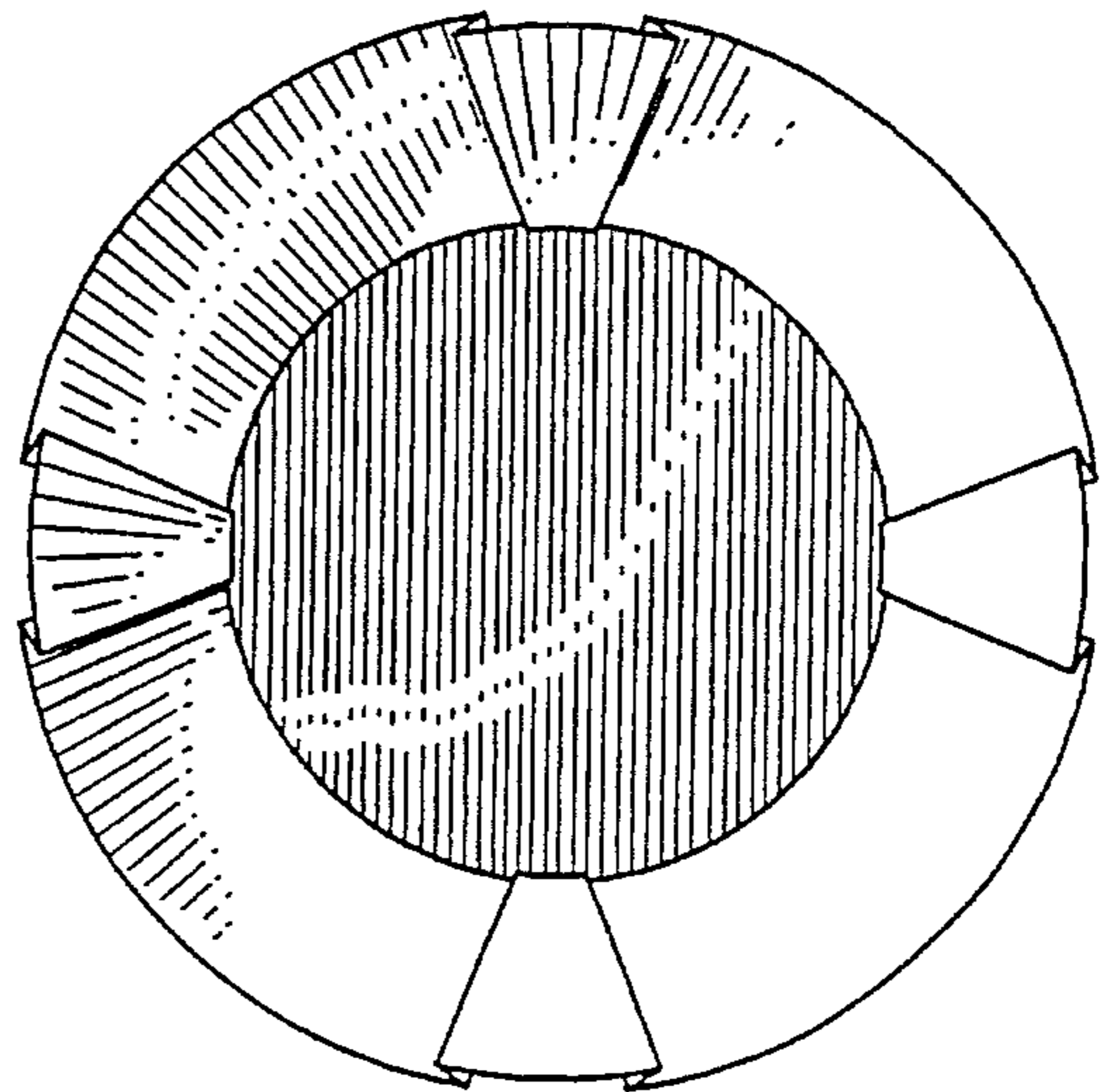


Fig. 10

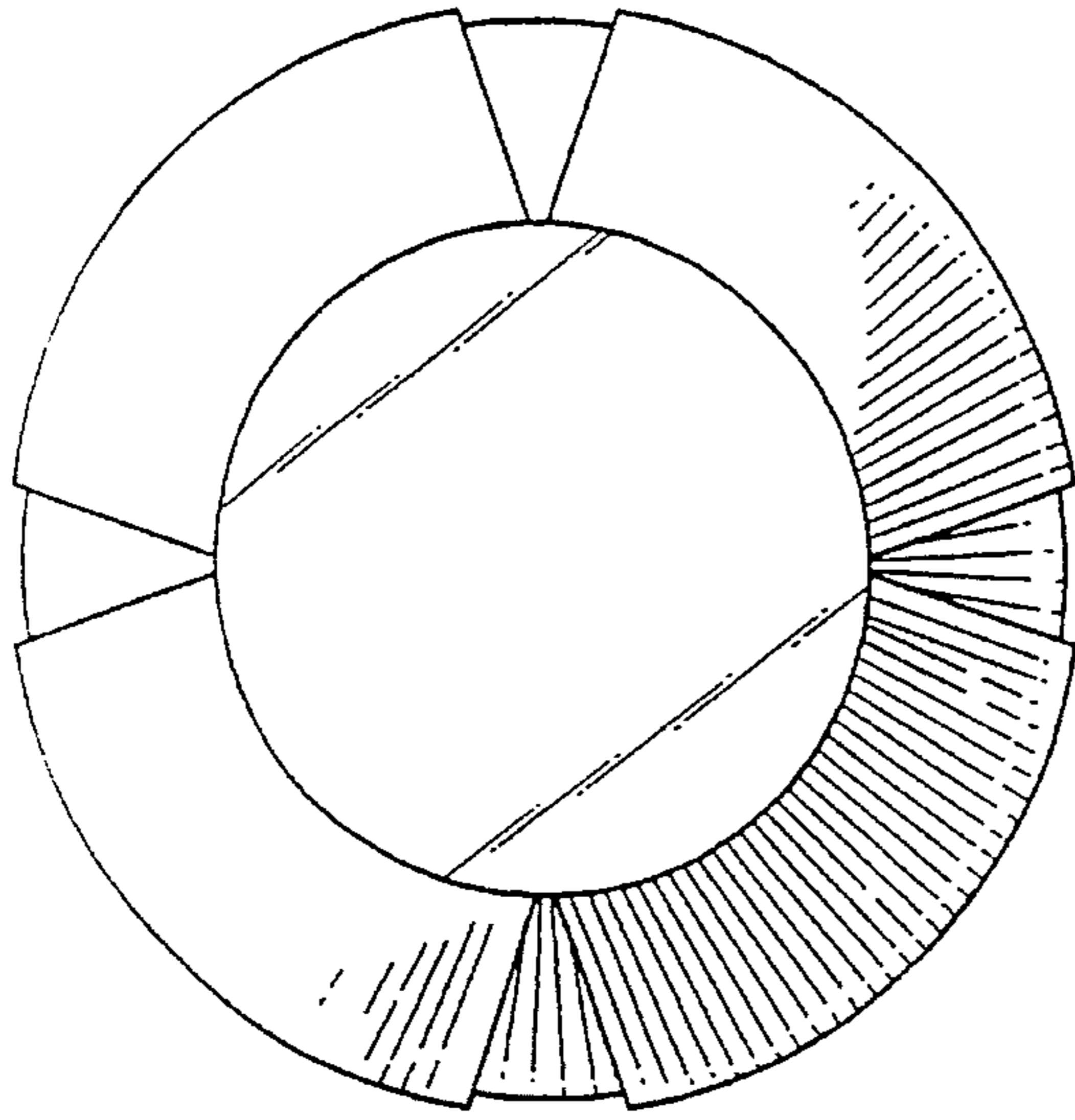


Fig. 11

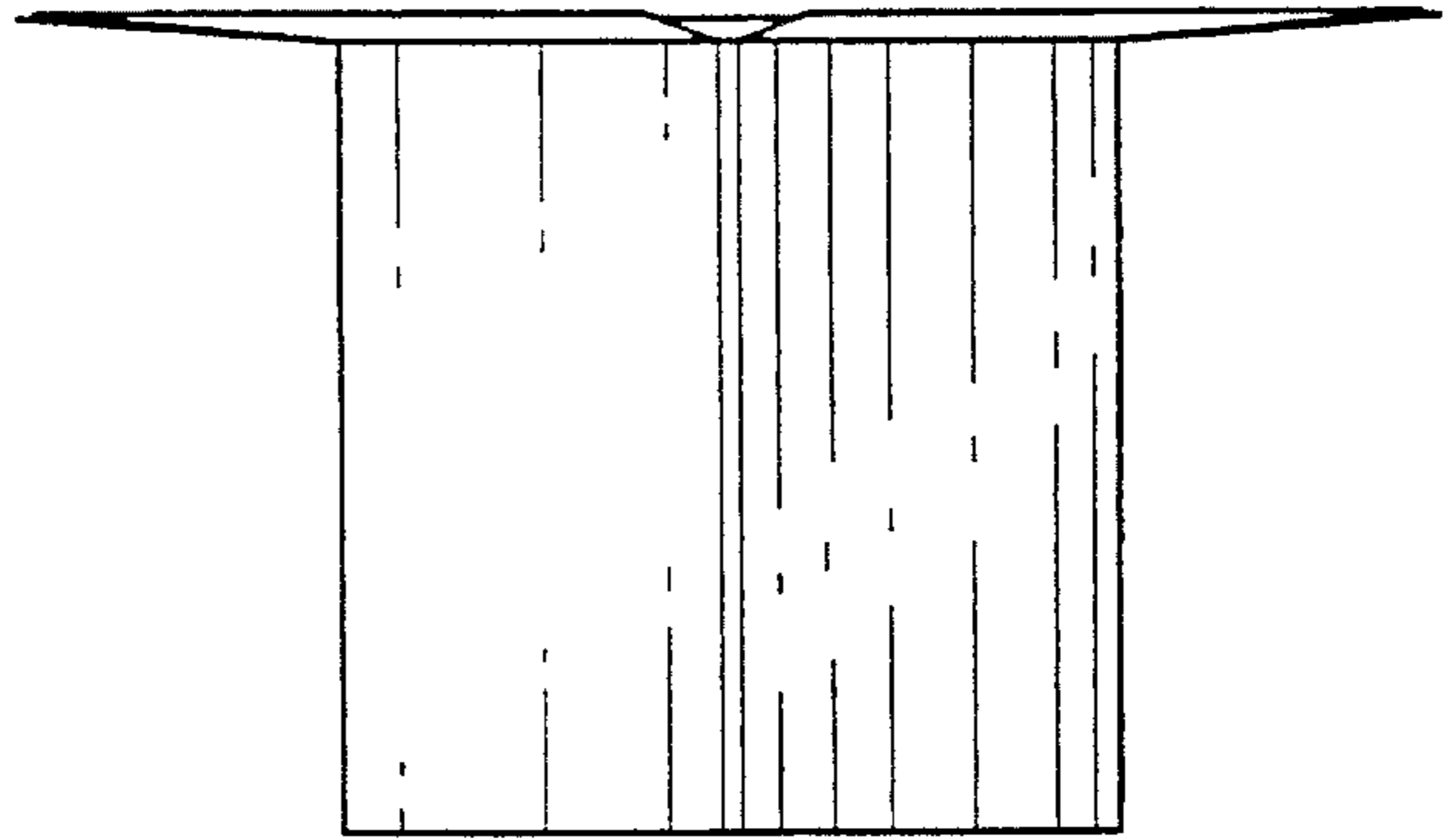


Fig. 12

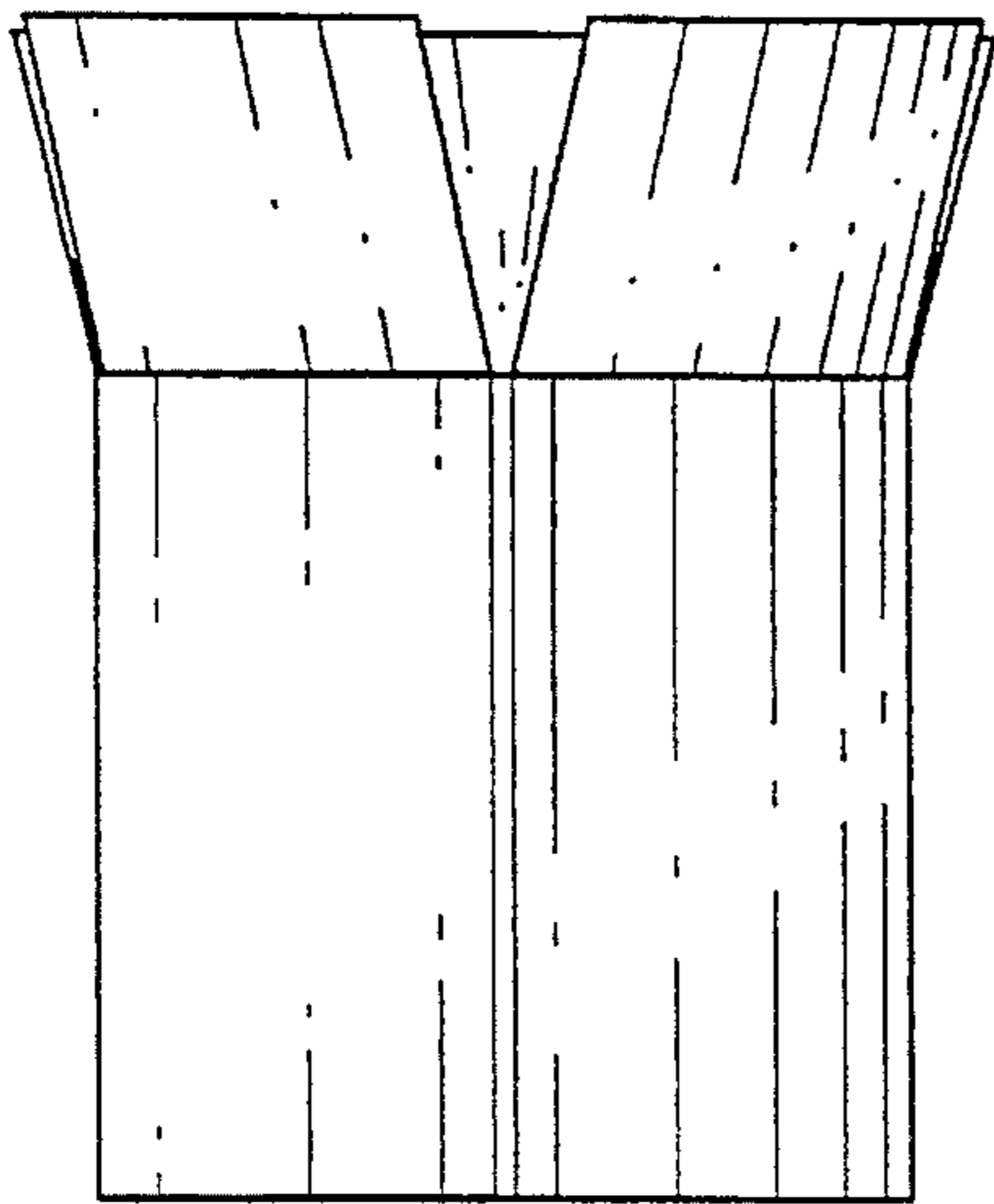


Fig. 13

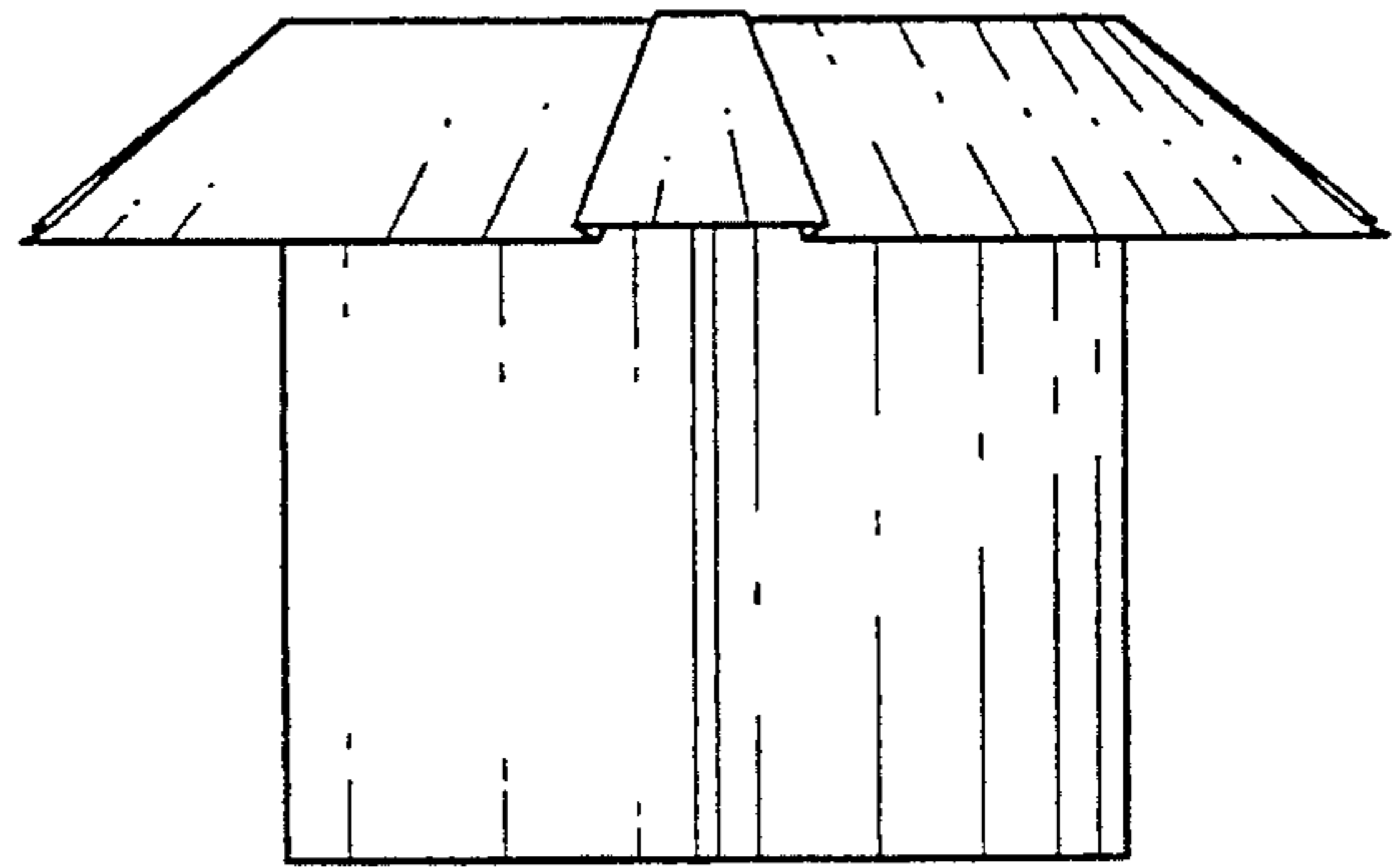


Fig. 14

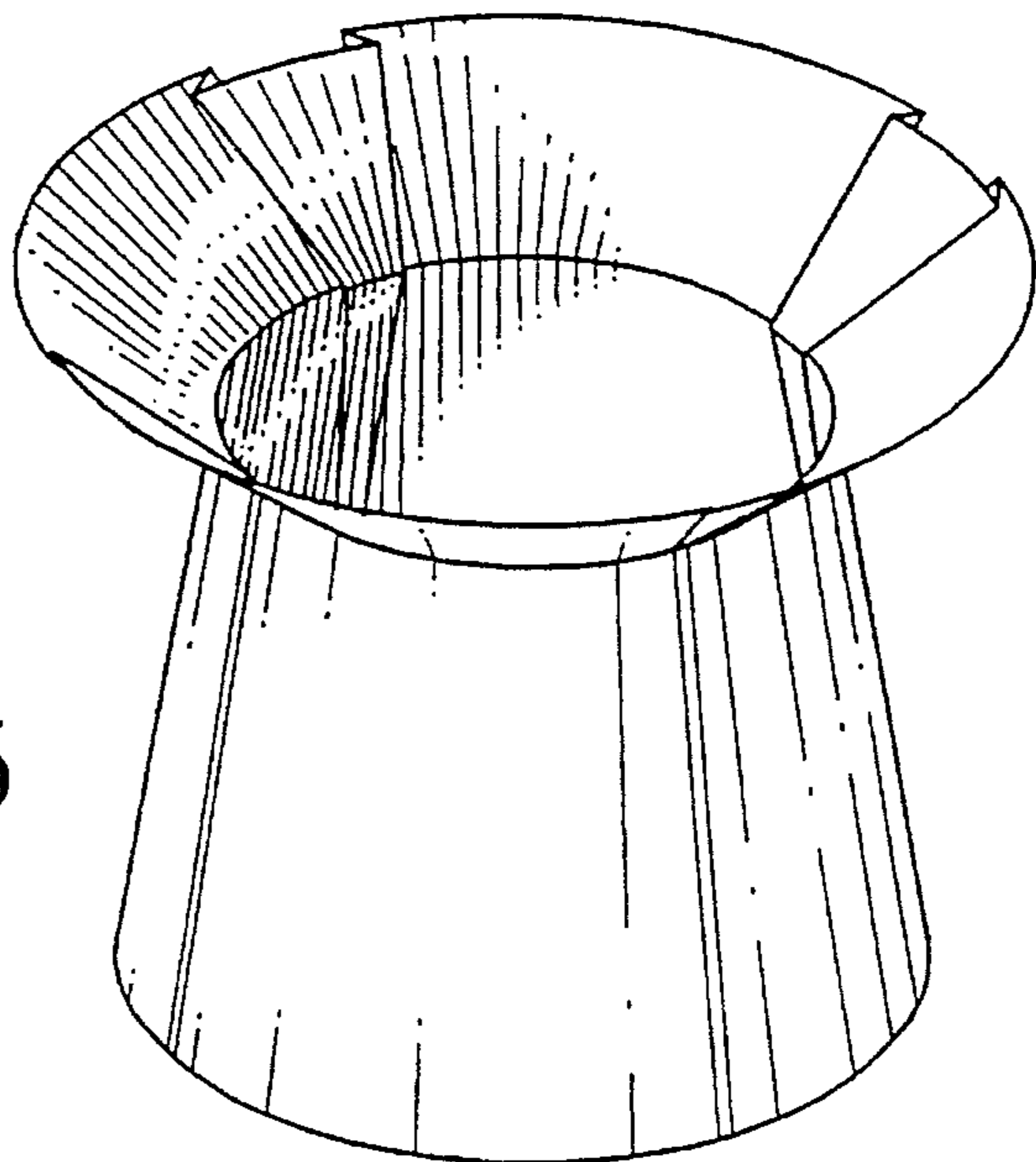


Fig. 15

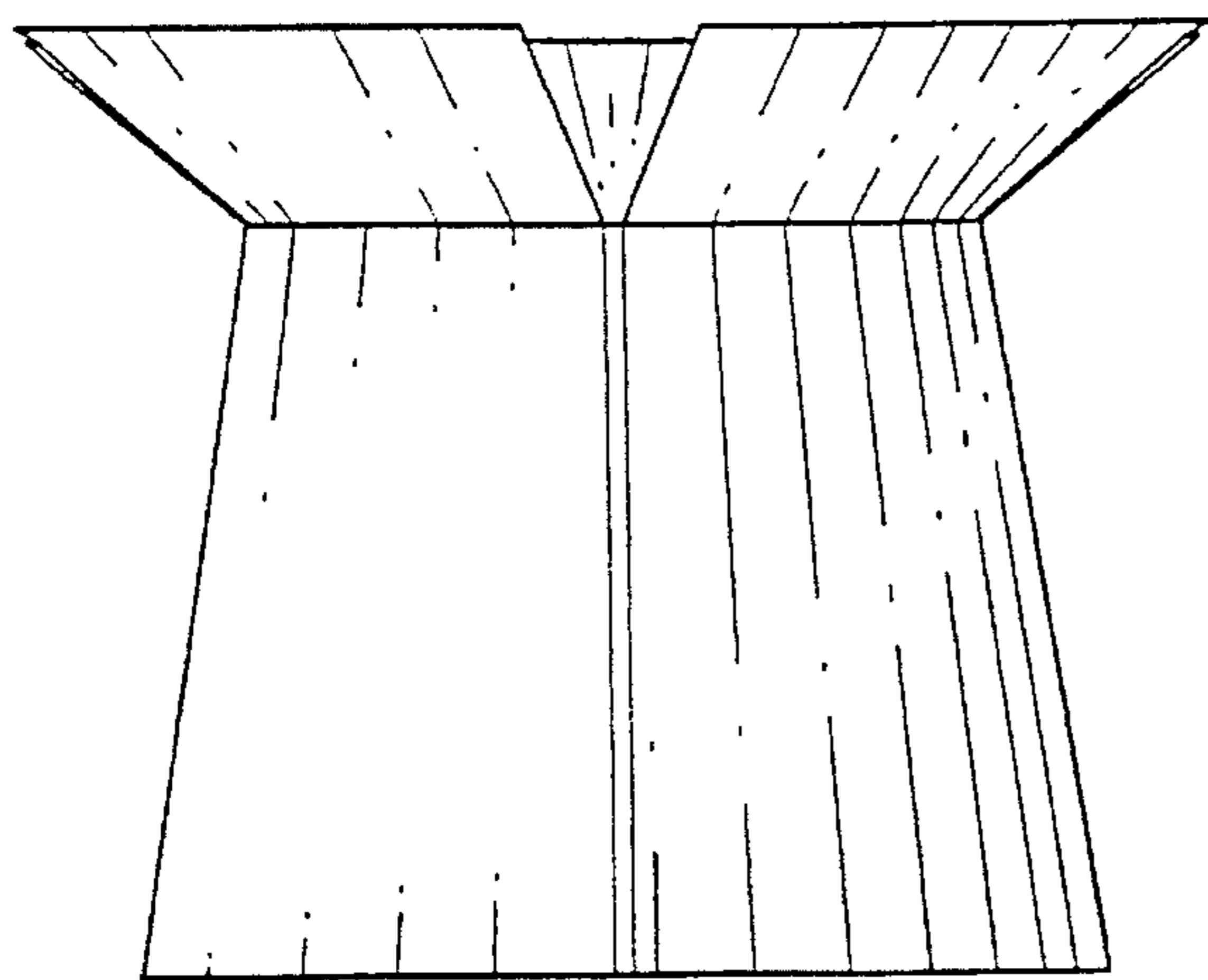


Fig. 16

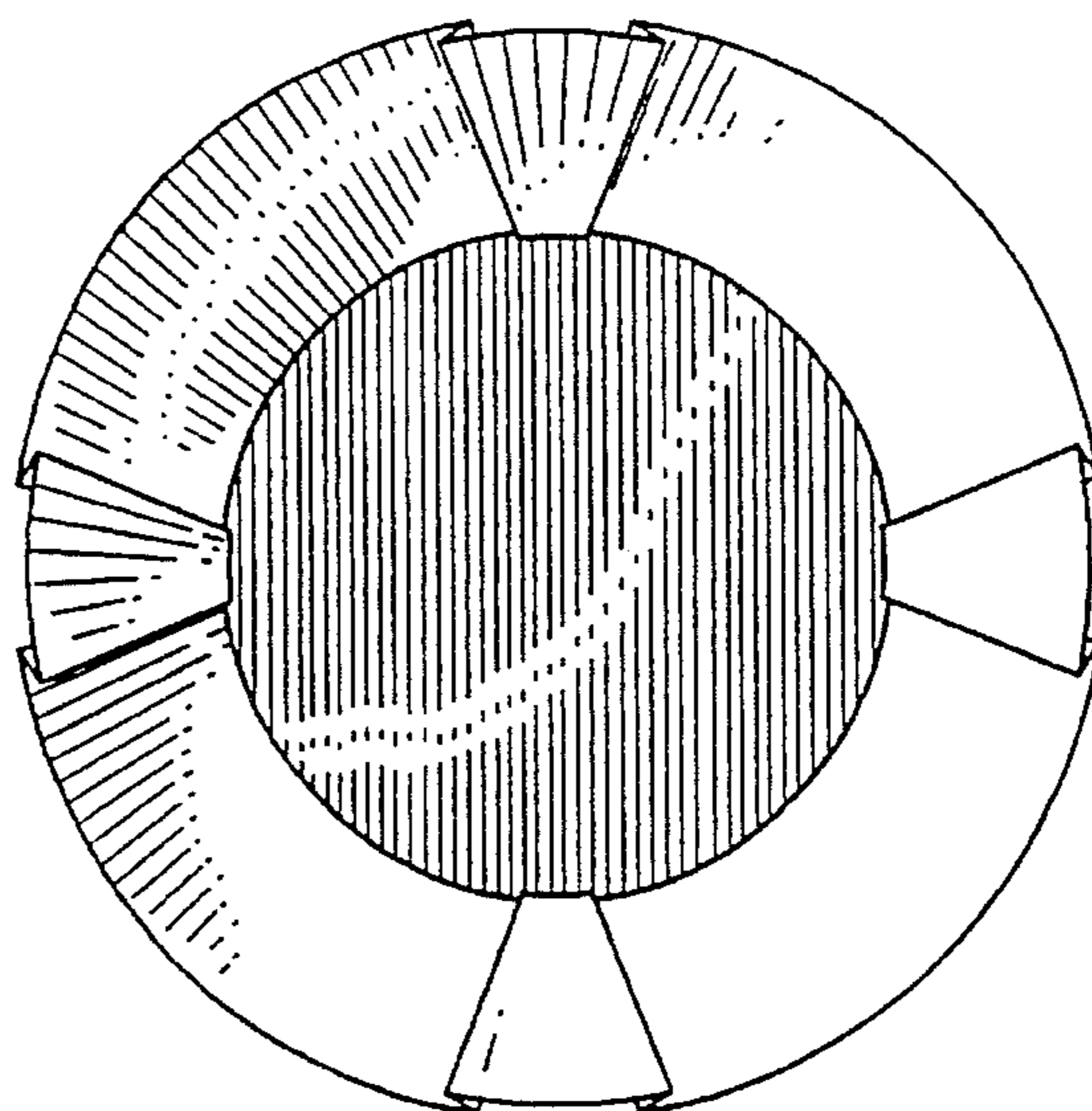


Fig. 17

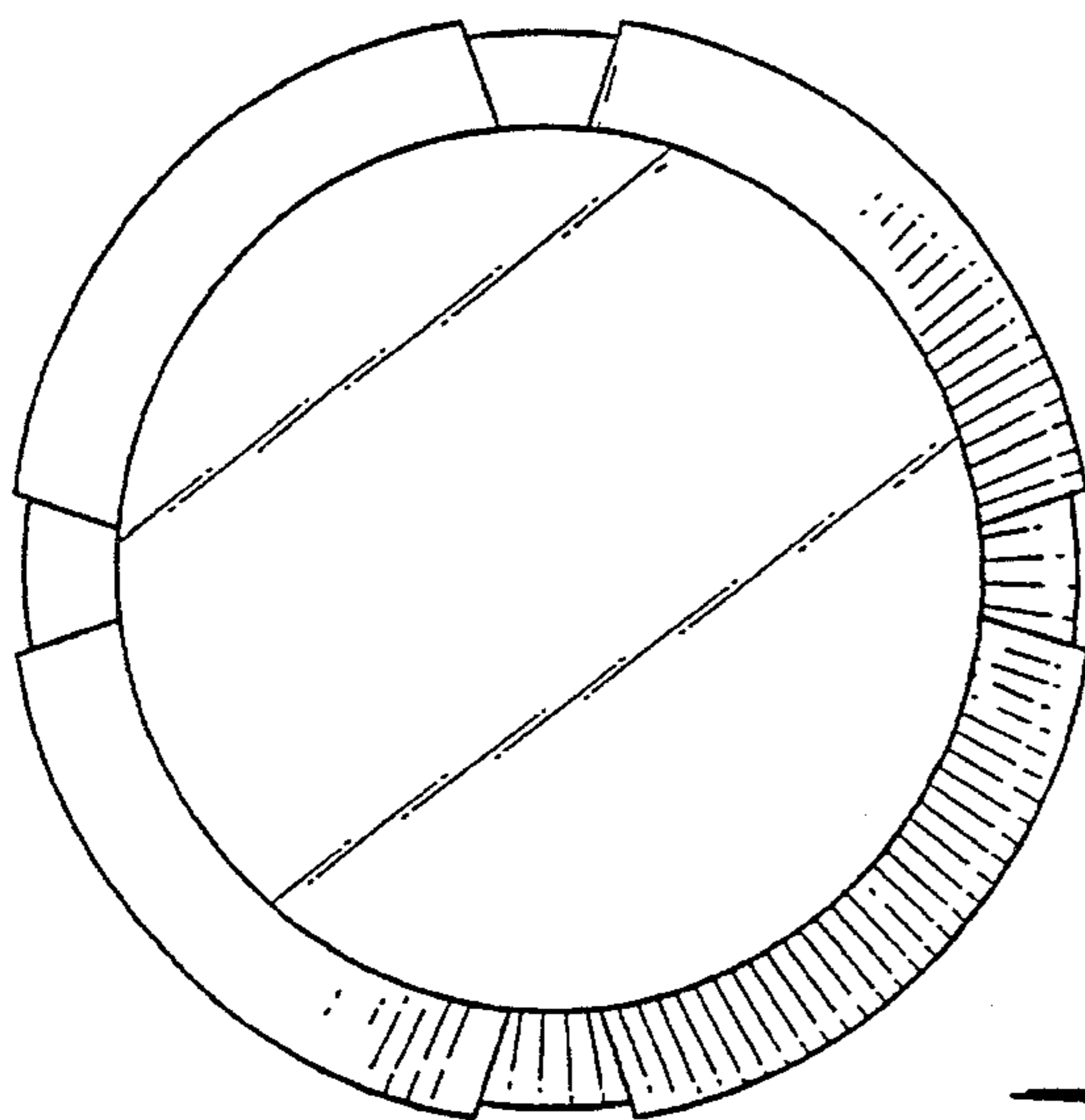


Fig. 18

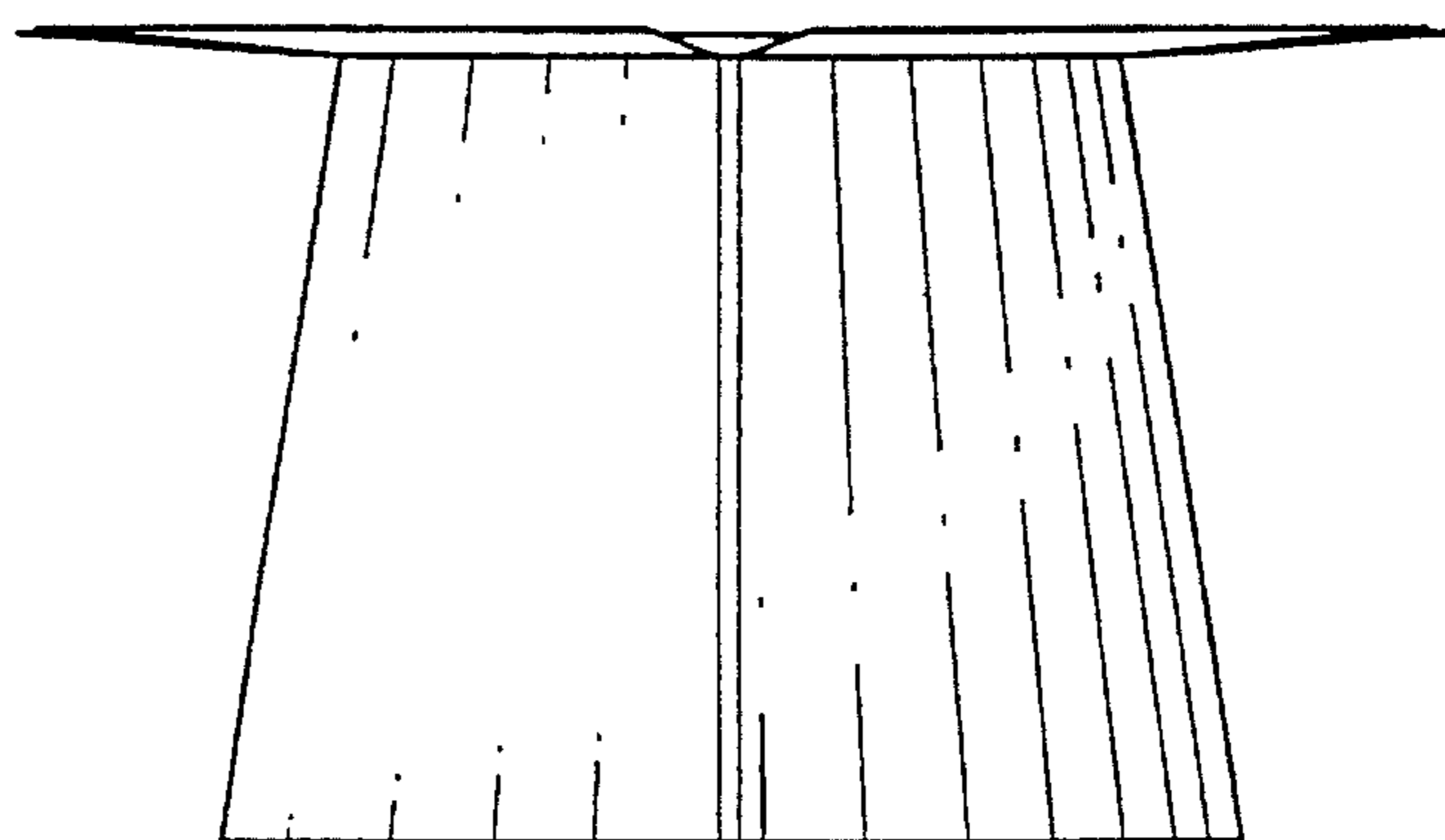


Fig. 19

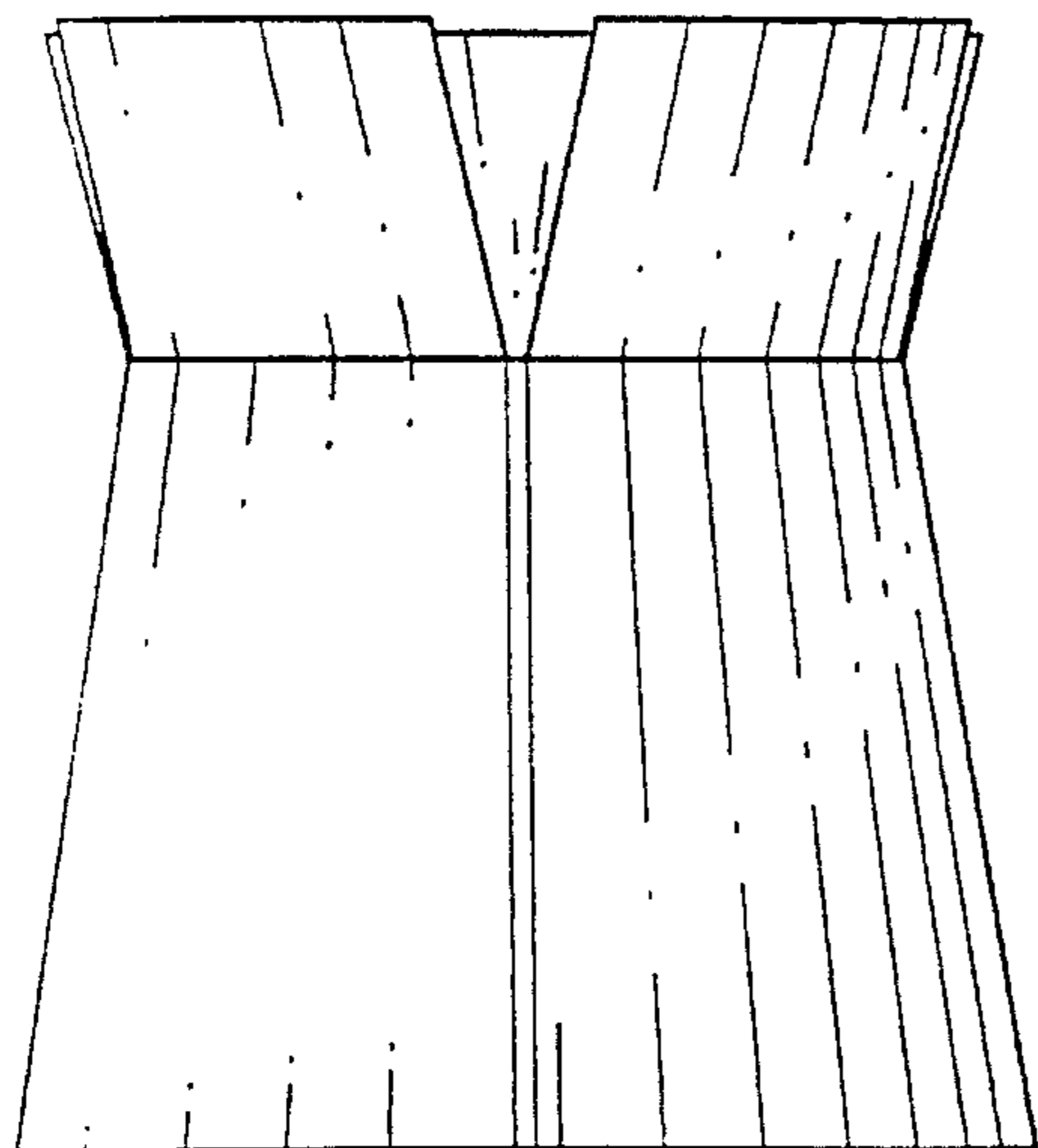


Fig. 20

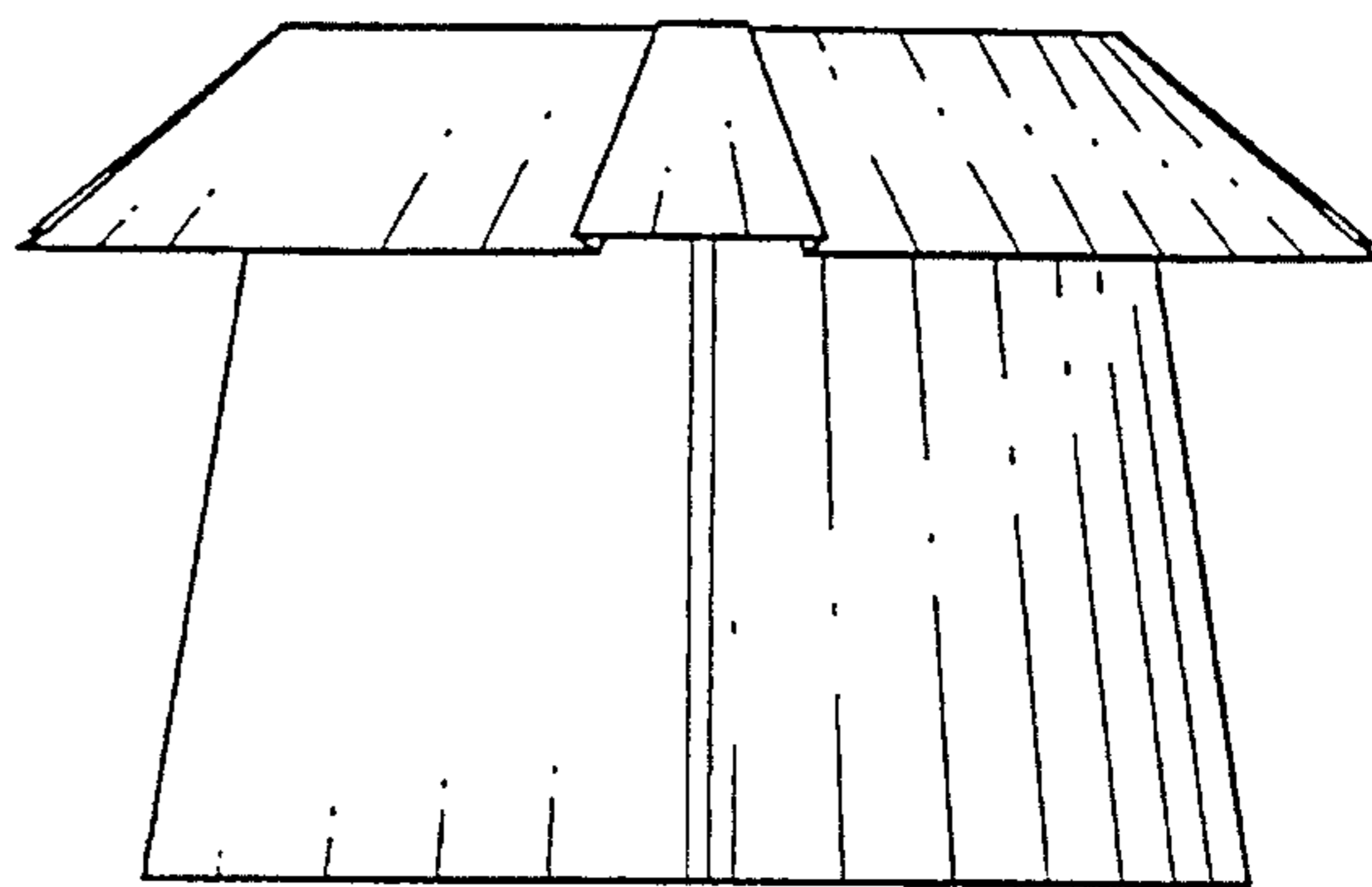


Fig. 21

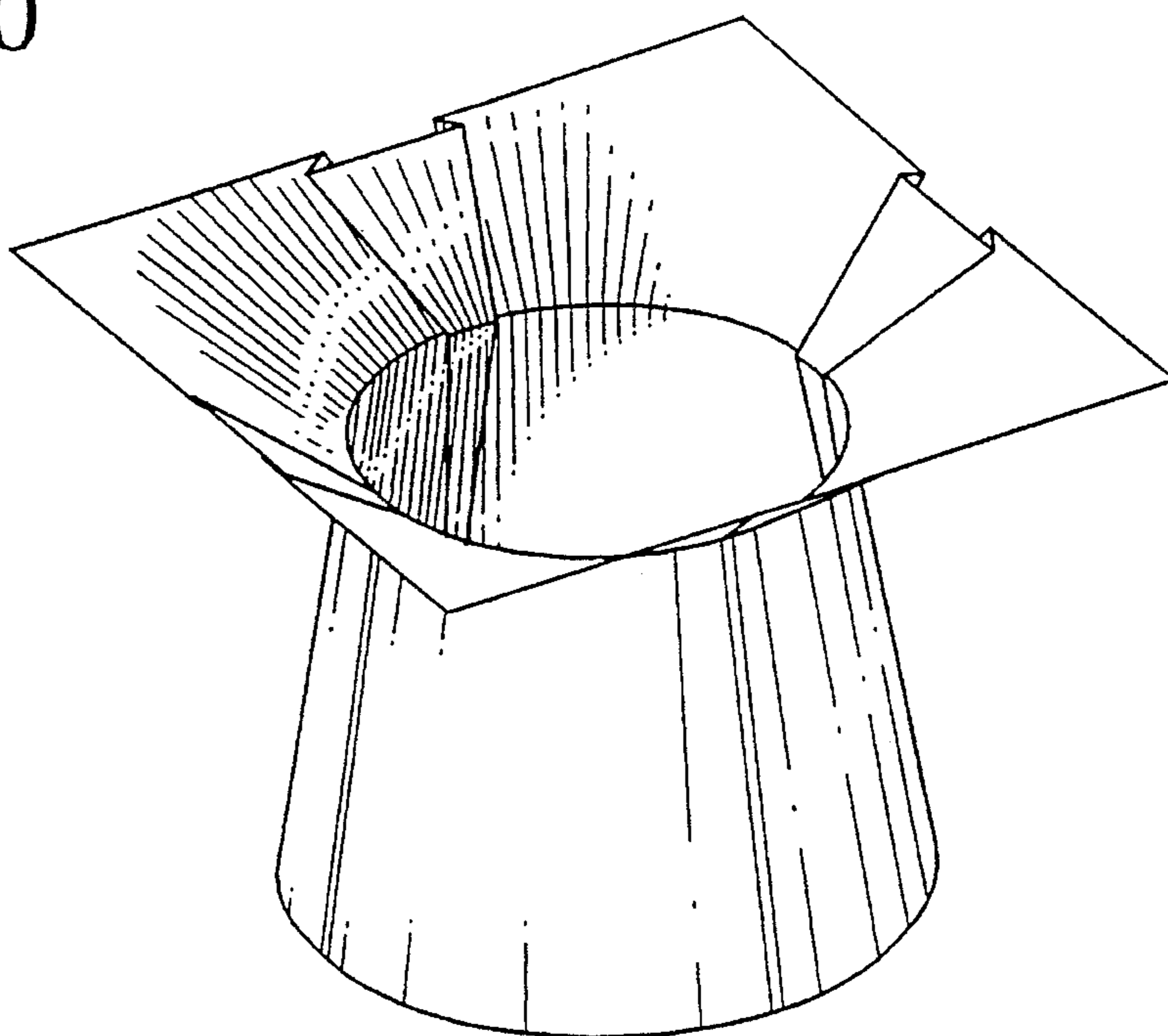


Fig. 22

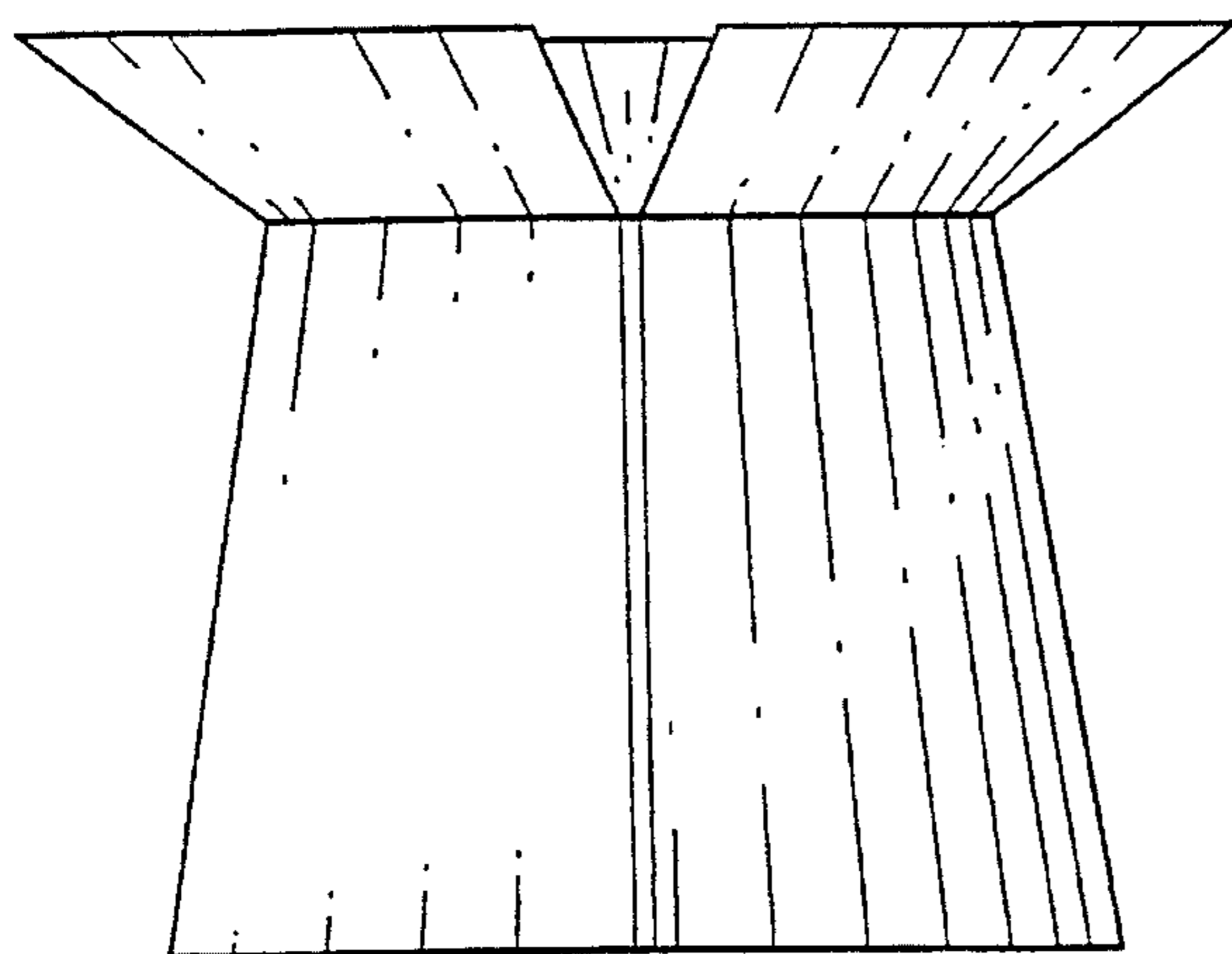


Fig. 23

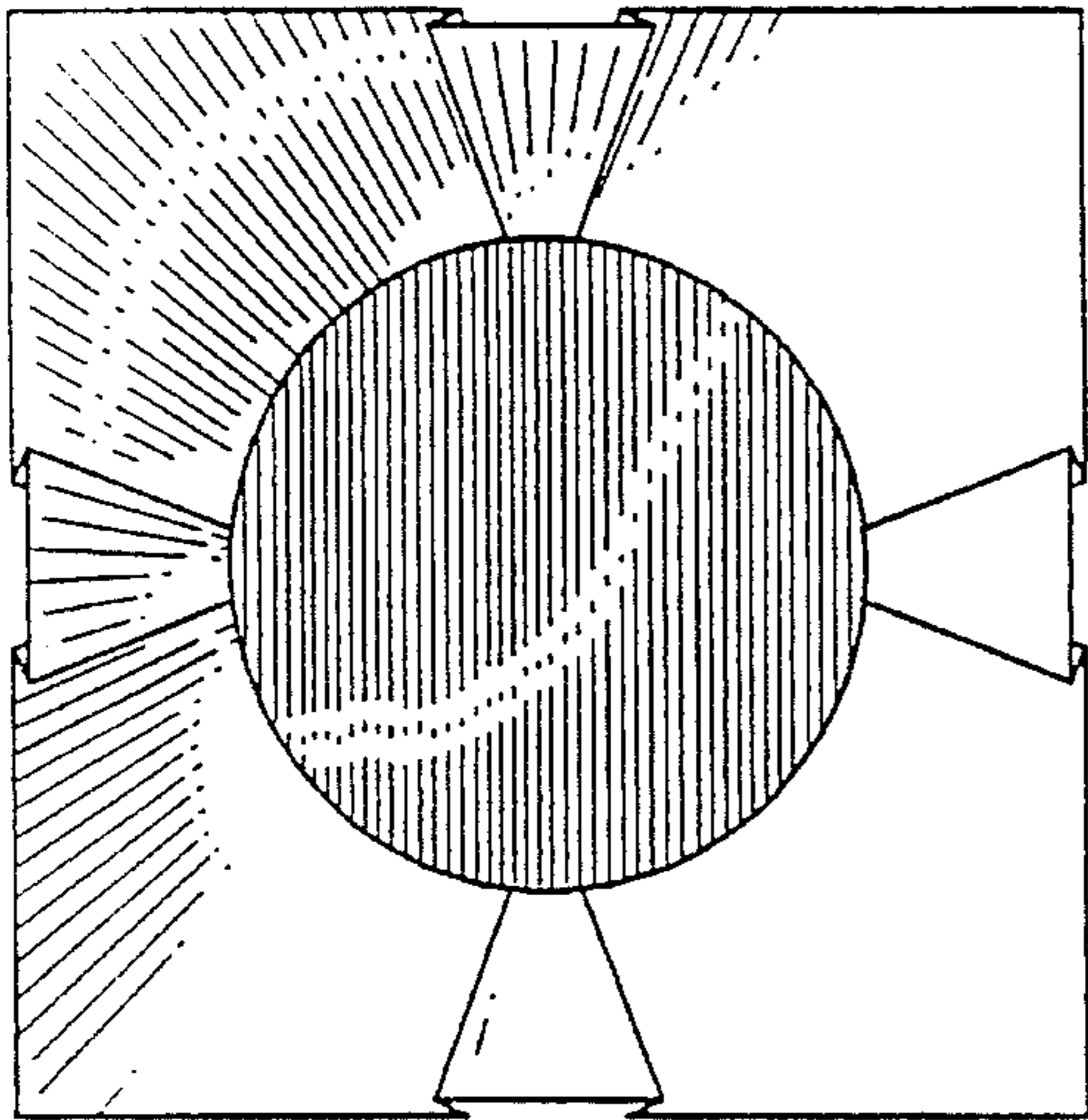


Fig. 24

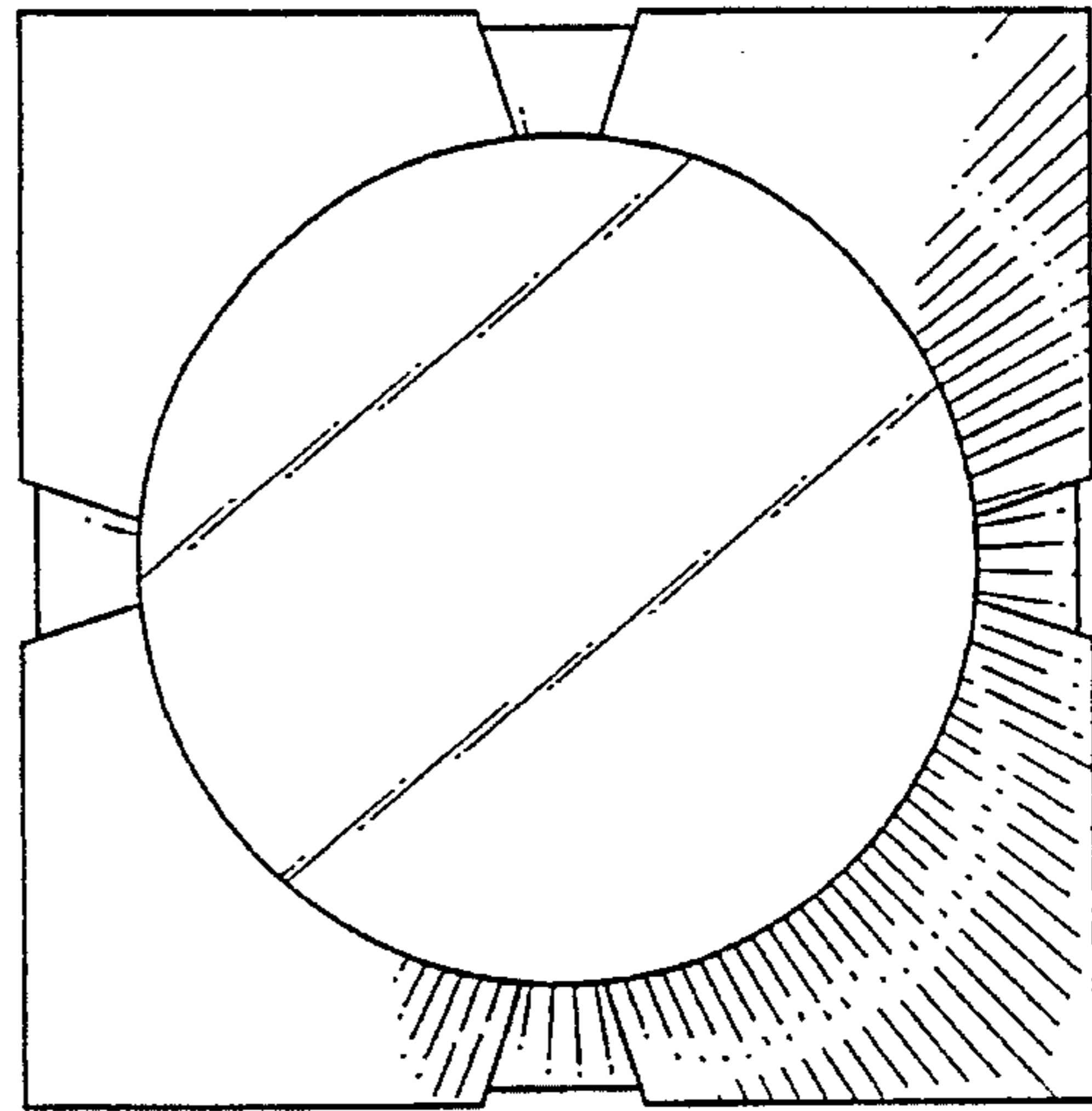


Fig. 25

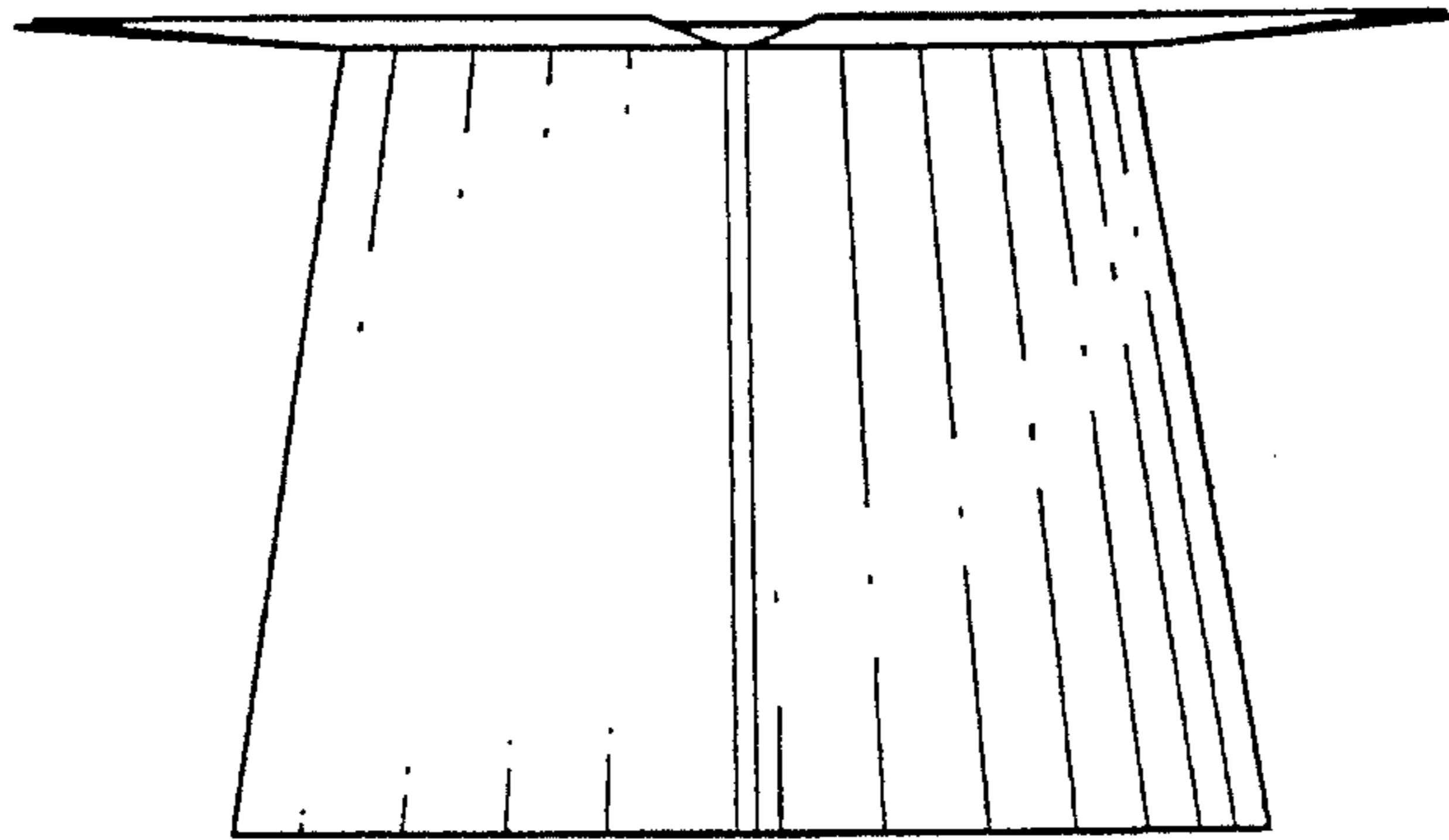


Fig. 26

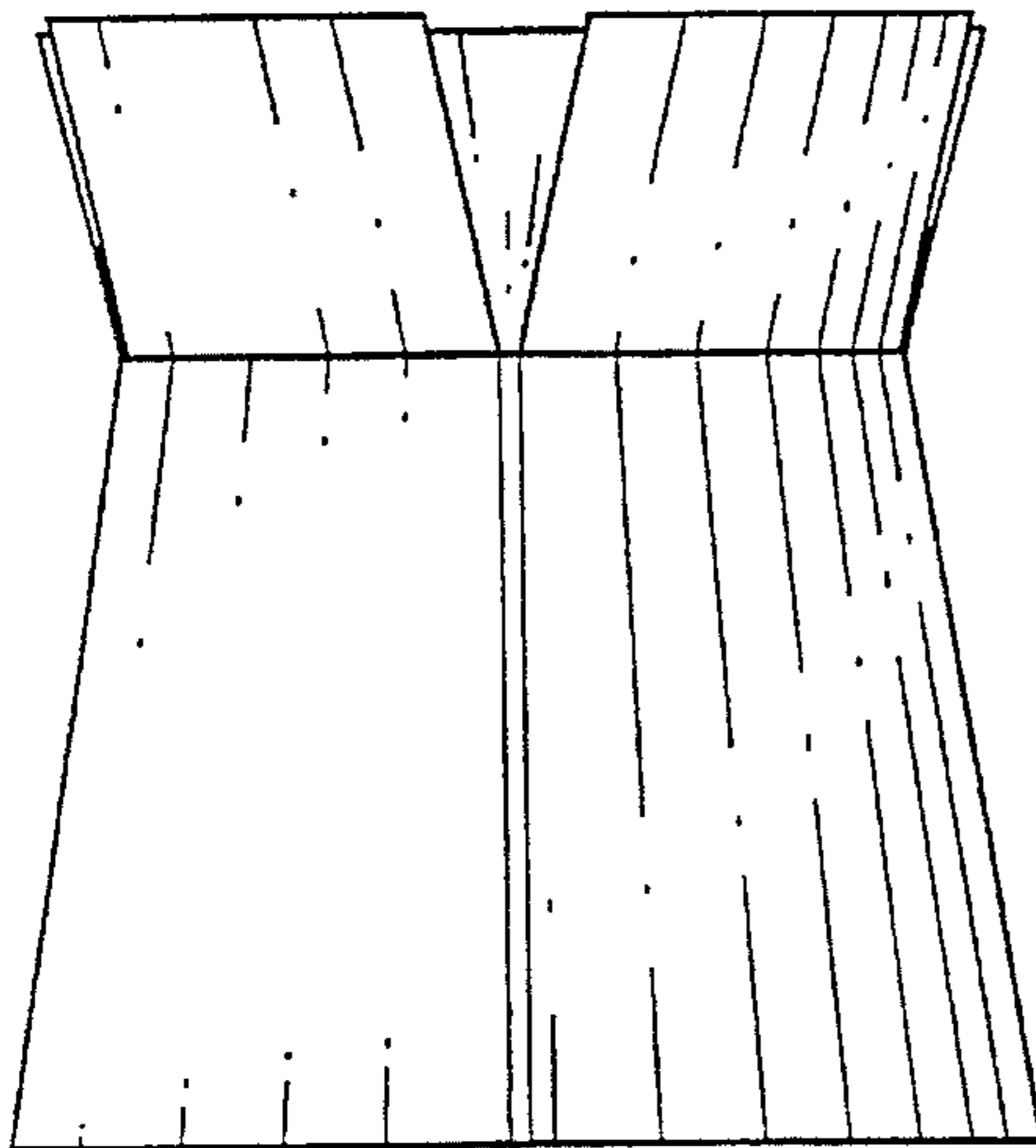


Fig. 27

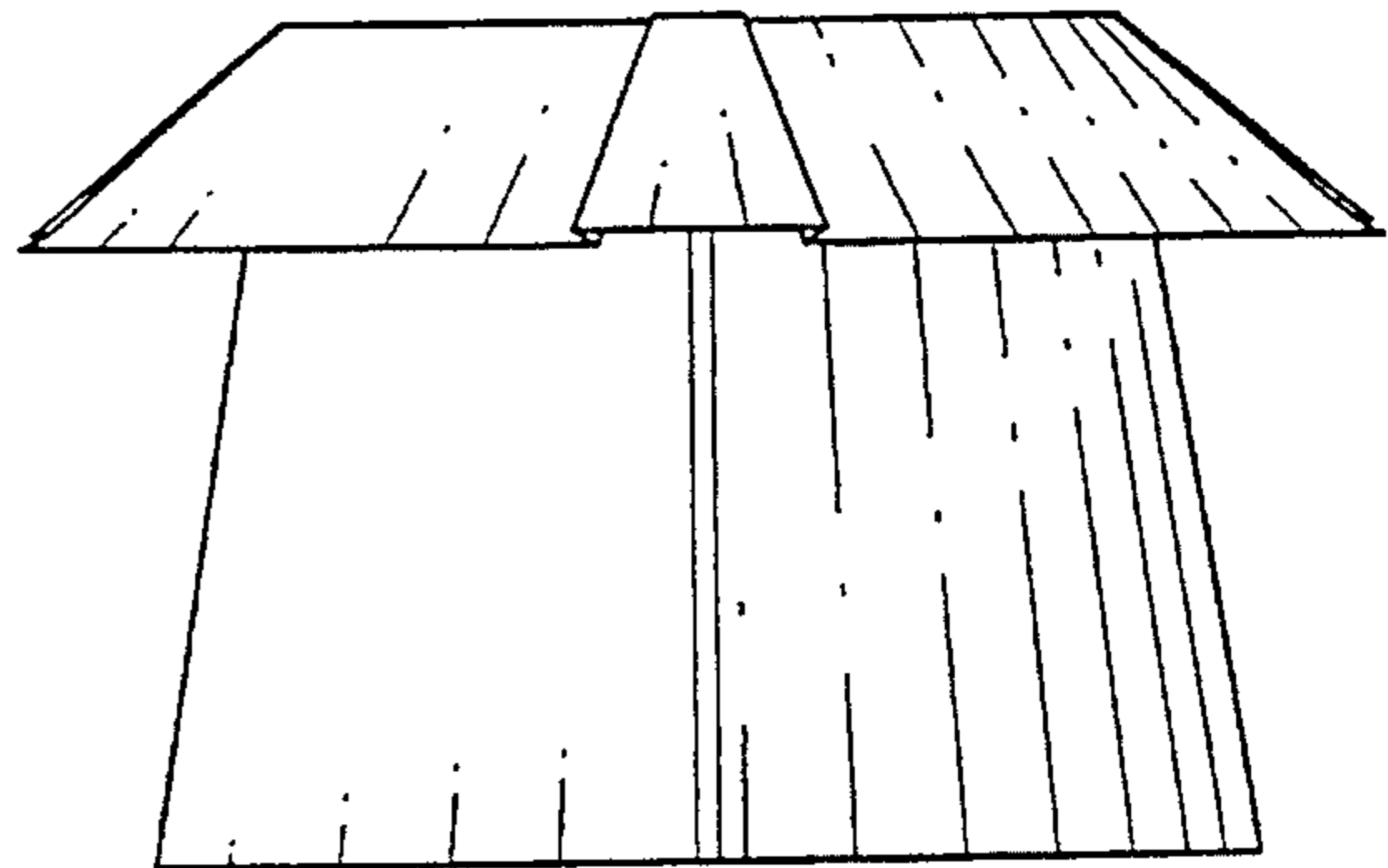


Fig. 28