



US00D371311S

United States Patent [19]
Mimoto

[11] **Patent Number:** **Des. 371,311**
[45] **Date of Patent:** ****Jul. 2, 1996**

[54] **ELECTRONIC SCALE WITH PRINTER**

D. 254,427 3/1980 Perrier D10/91
5,406,035 4/1995 Wallisch 177/25.15

[75] Inventor: **Osamu Mimoto**, Sagamihara, Japan

[73] Assignee: **Kabushiki Kaisha Tec**, Shizuoka, Japan

Primary Examiner—Antoine Duval Davis
Attorney, Agent, or Firm—Christopher R. Pastel; Thomas R. Morrison

[**] Term: **14 Years**

[57] **CLAIM**

[21] Appl. No.: **39,634**

The ornamental design for an electronic scale with printer, as shown and described.

[22] Filed: **Jun. 1, 1995**

DESCRIPTION

[30] **Foreign Application Priority Data**

Dec. 19, 1994 [JP] Japan 6-38719

[52] **U.S. Cl.** **D10/91**

[58] **Field of Search** D10/87, 88, 91;
235/381; 177/1-9, 25.11-25.19, 245; 364/405,
464.01

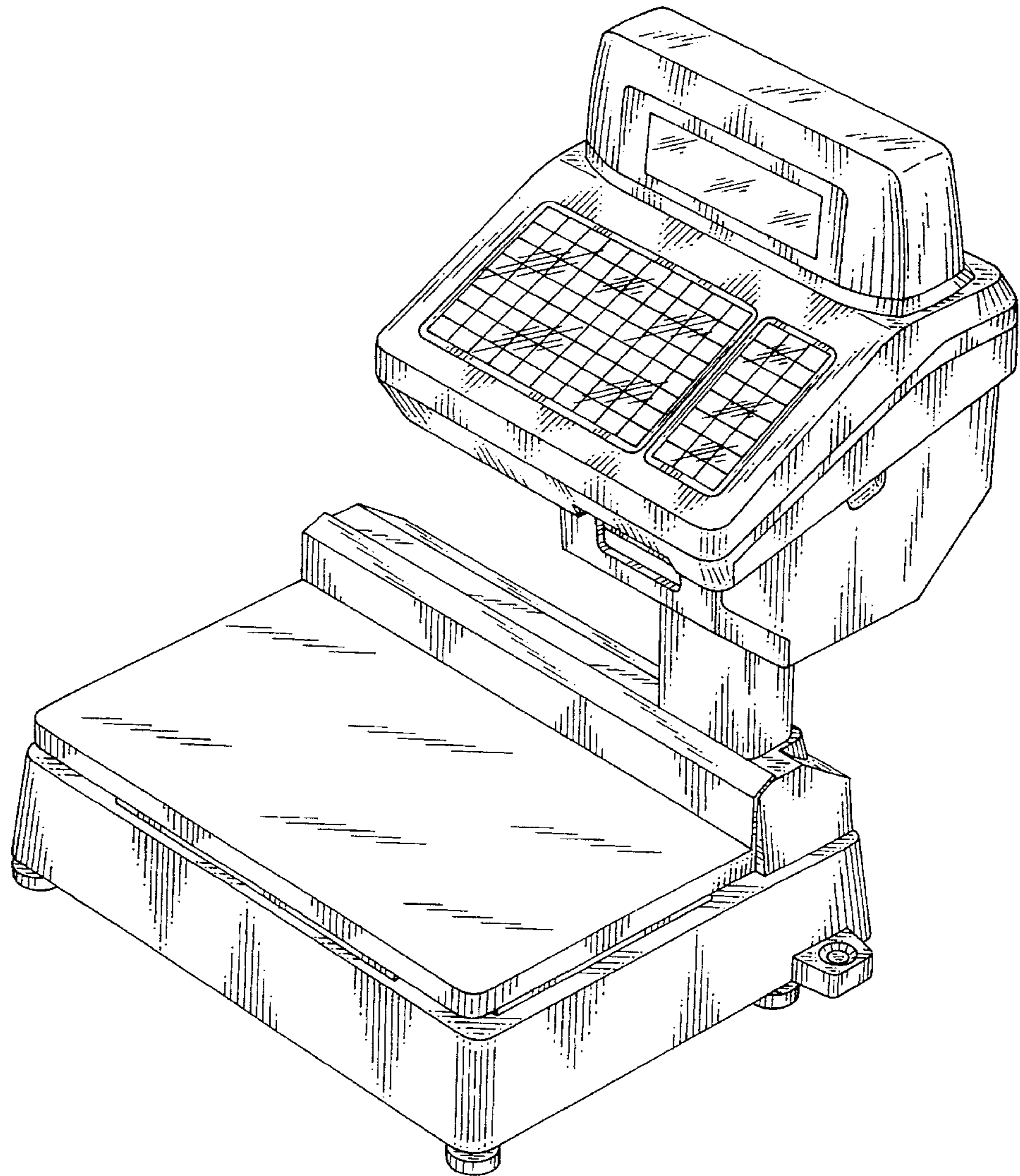
FIG. 1 is a perspective view of my design;
FIG. 2 is a front elevation view thereof;
FIG. 3 is a rear elevation view thereof;
FIG. 4 is a top plan view thereof;
FIG. 5 is a bottom plan view thereof;
FIG. 6 is a side elevation view thereof; and,
FIG. 7 is a side elevation view thereof.

[56] **References Cited**

U.S. PATENT DOCUMENTS

D. 241,525 9/1976 Karp D10/91

1 Claim, 7 Drawing Sheets



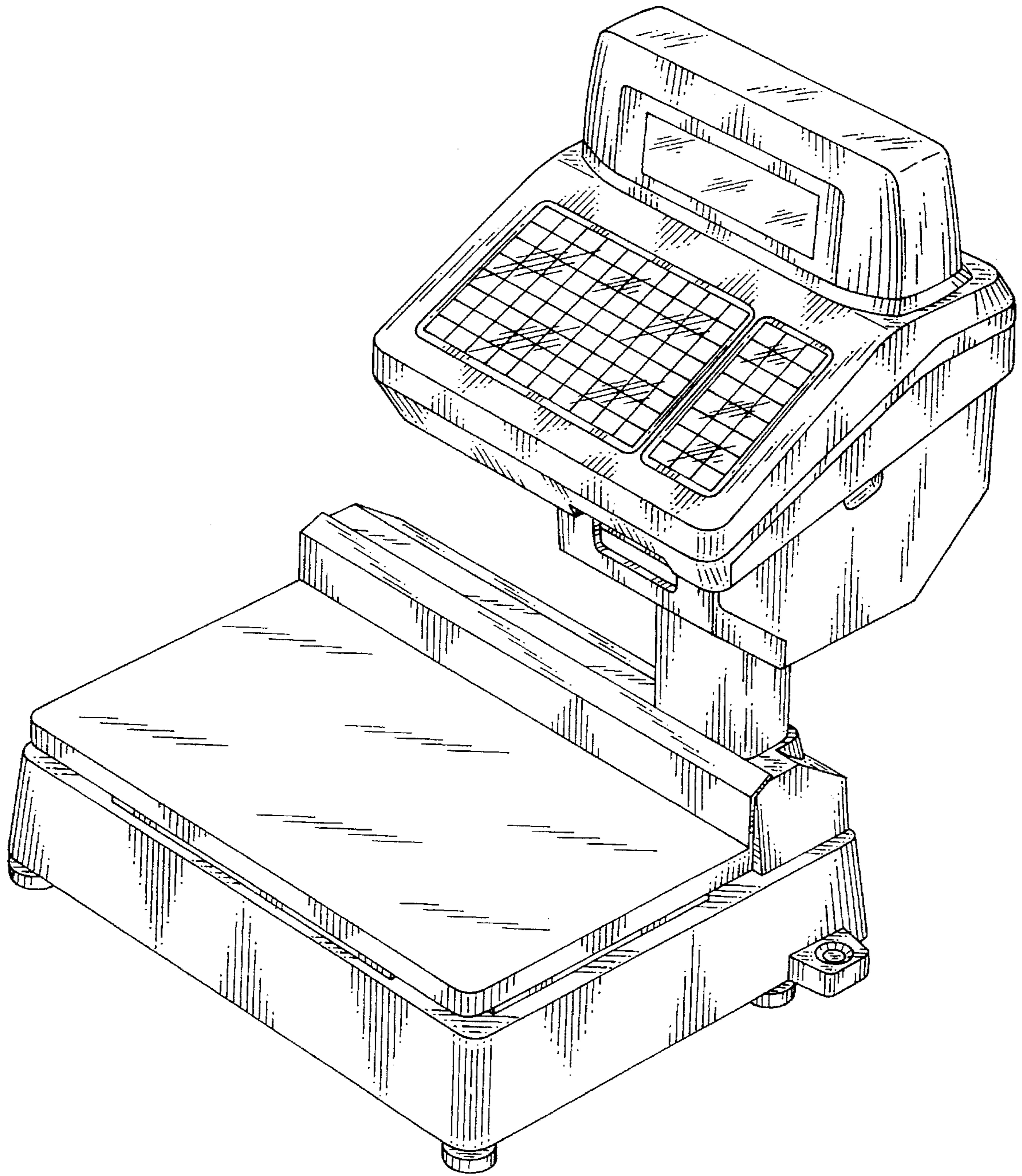


FIG. 1

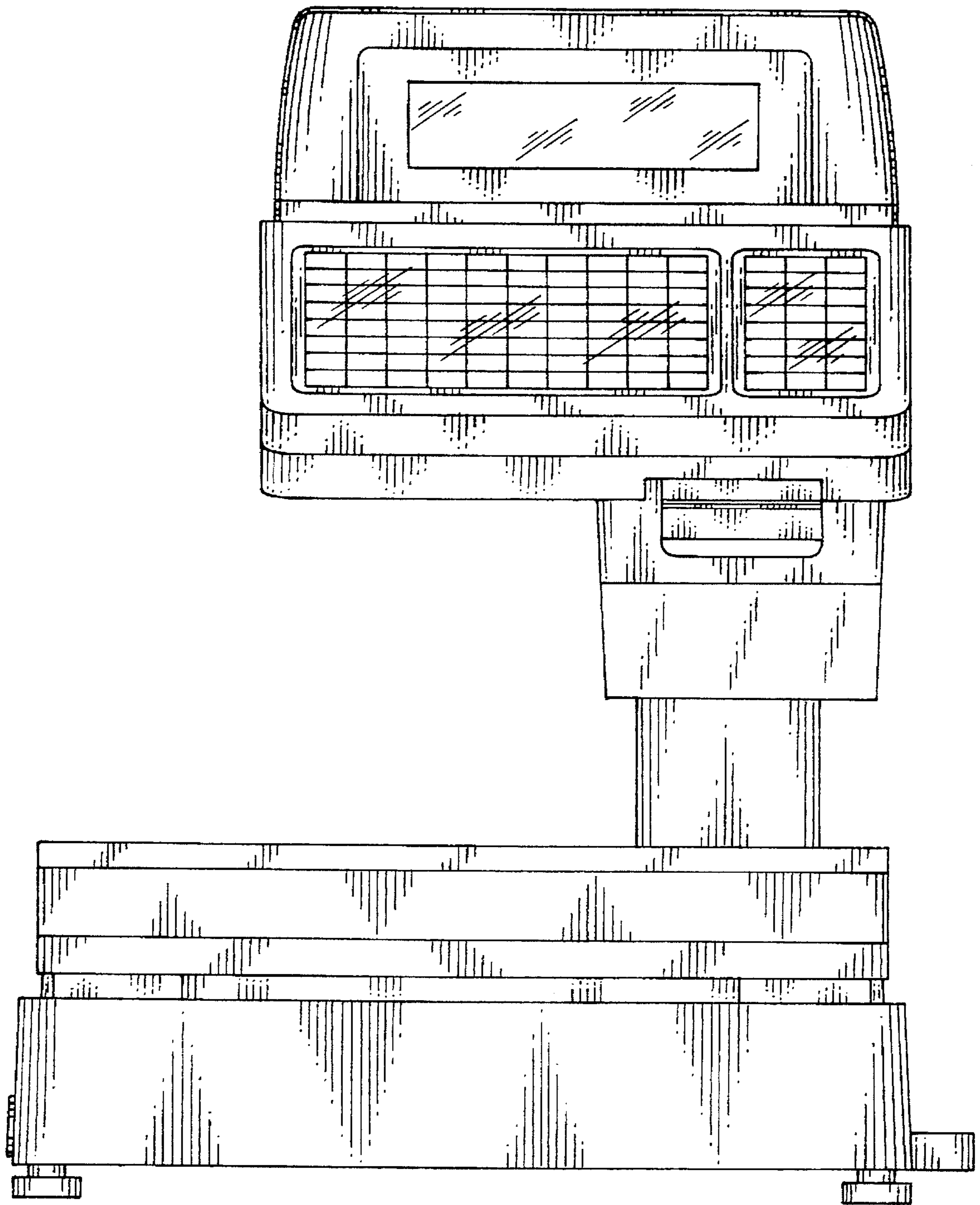


FIG. 2

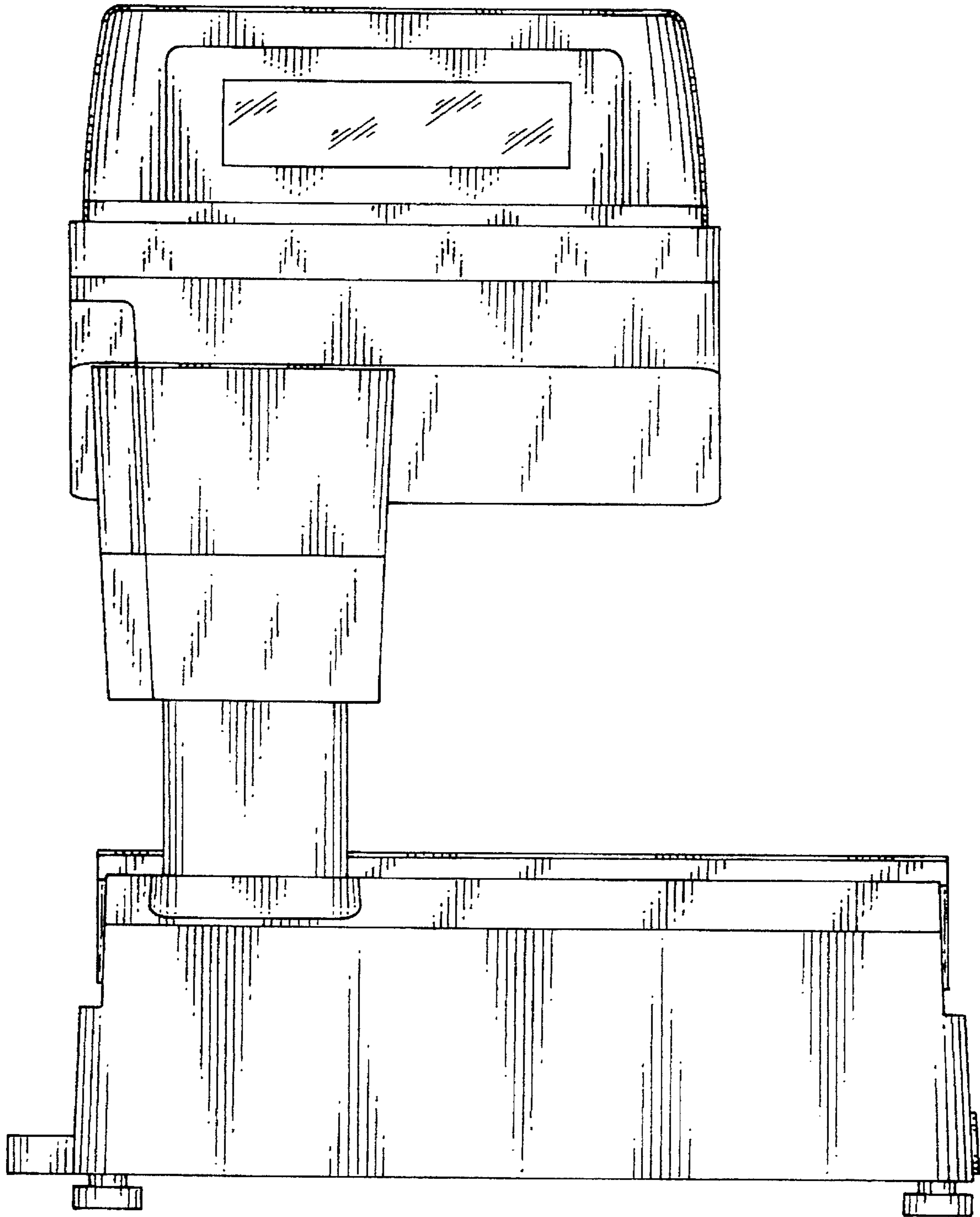


FIG. 3

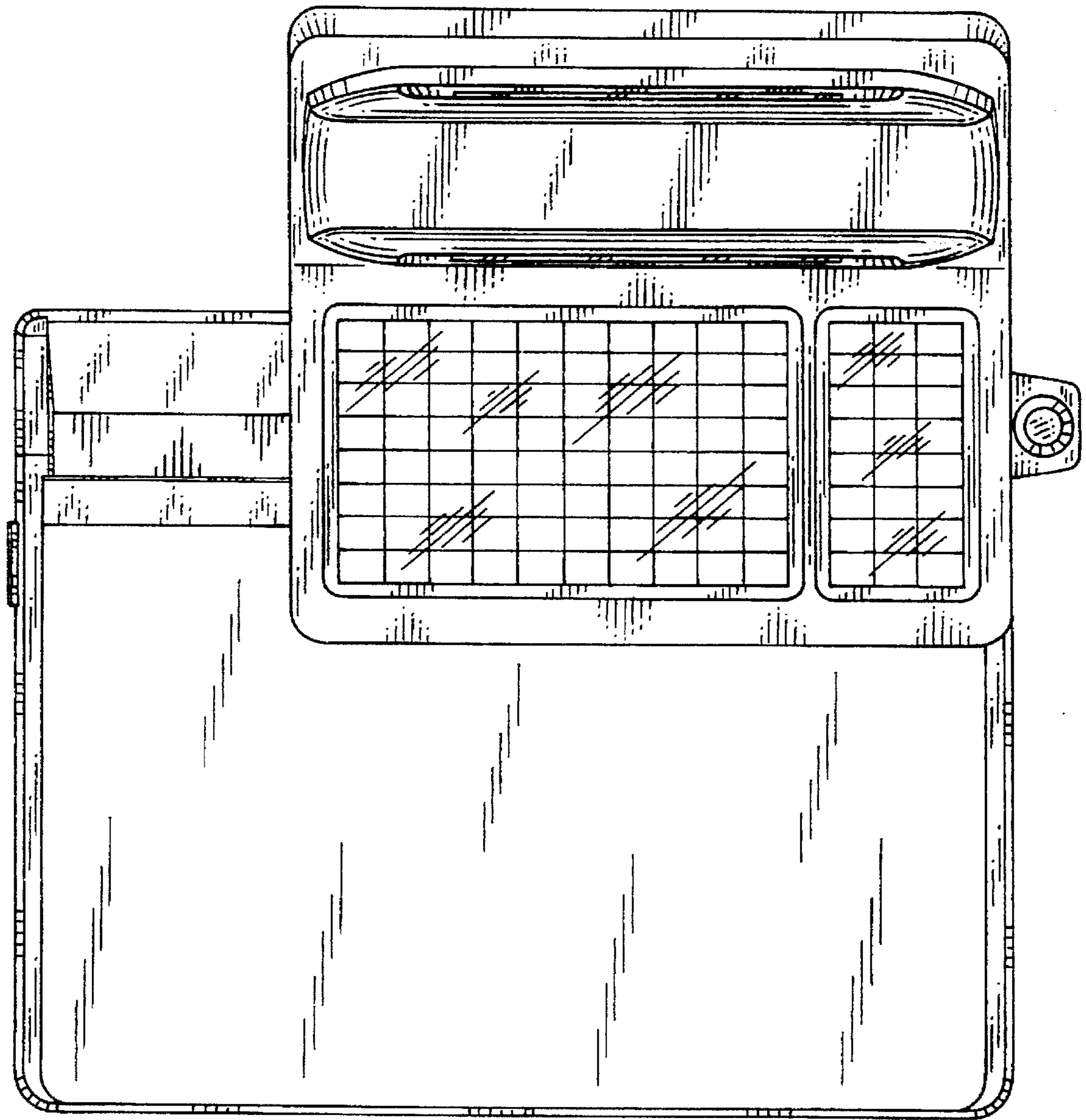


FIG. 4

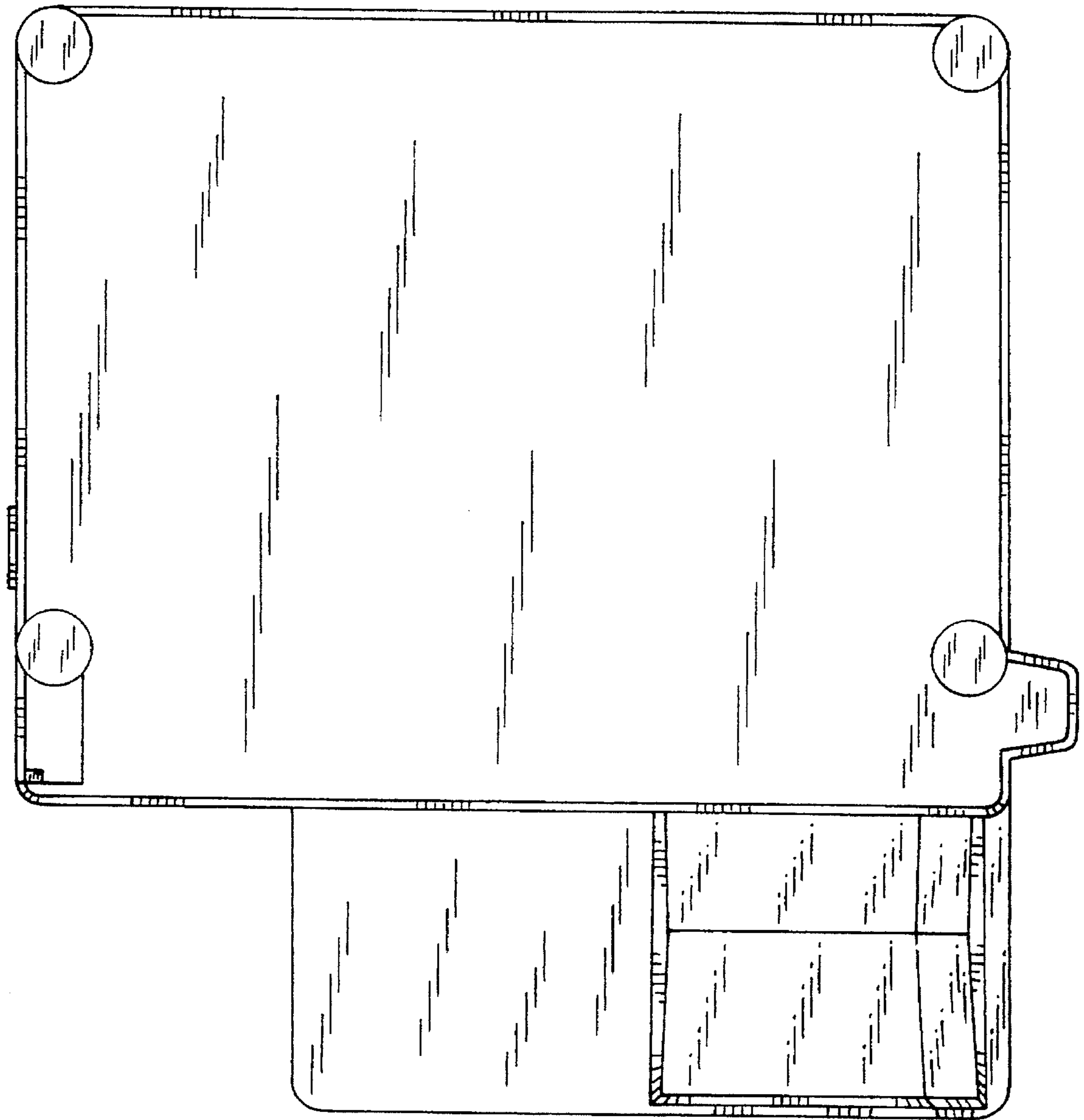


FIG. 5

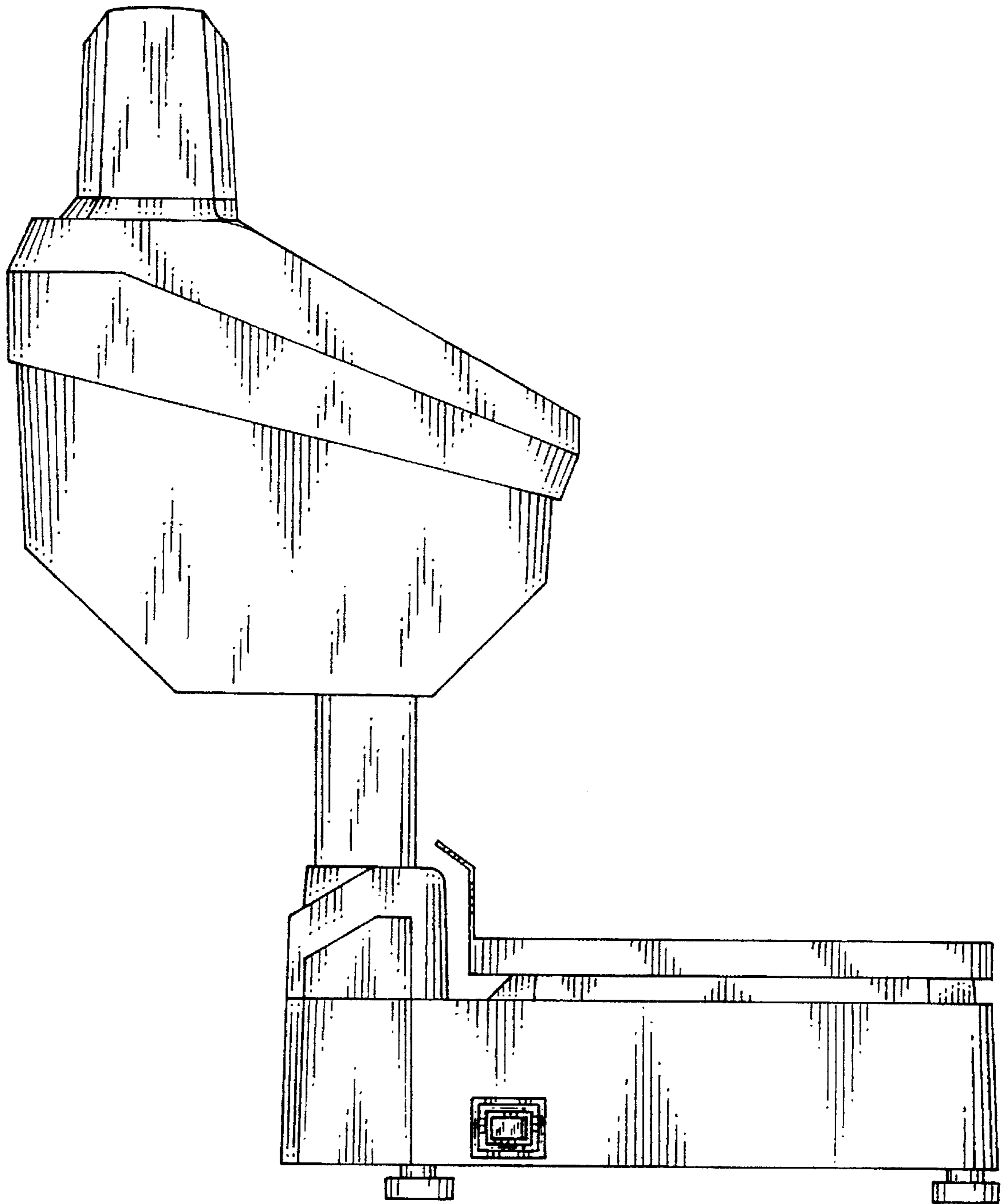


FIG. 6

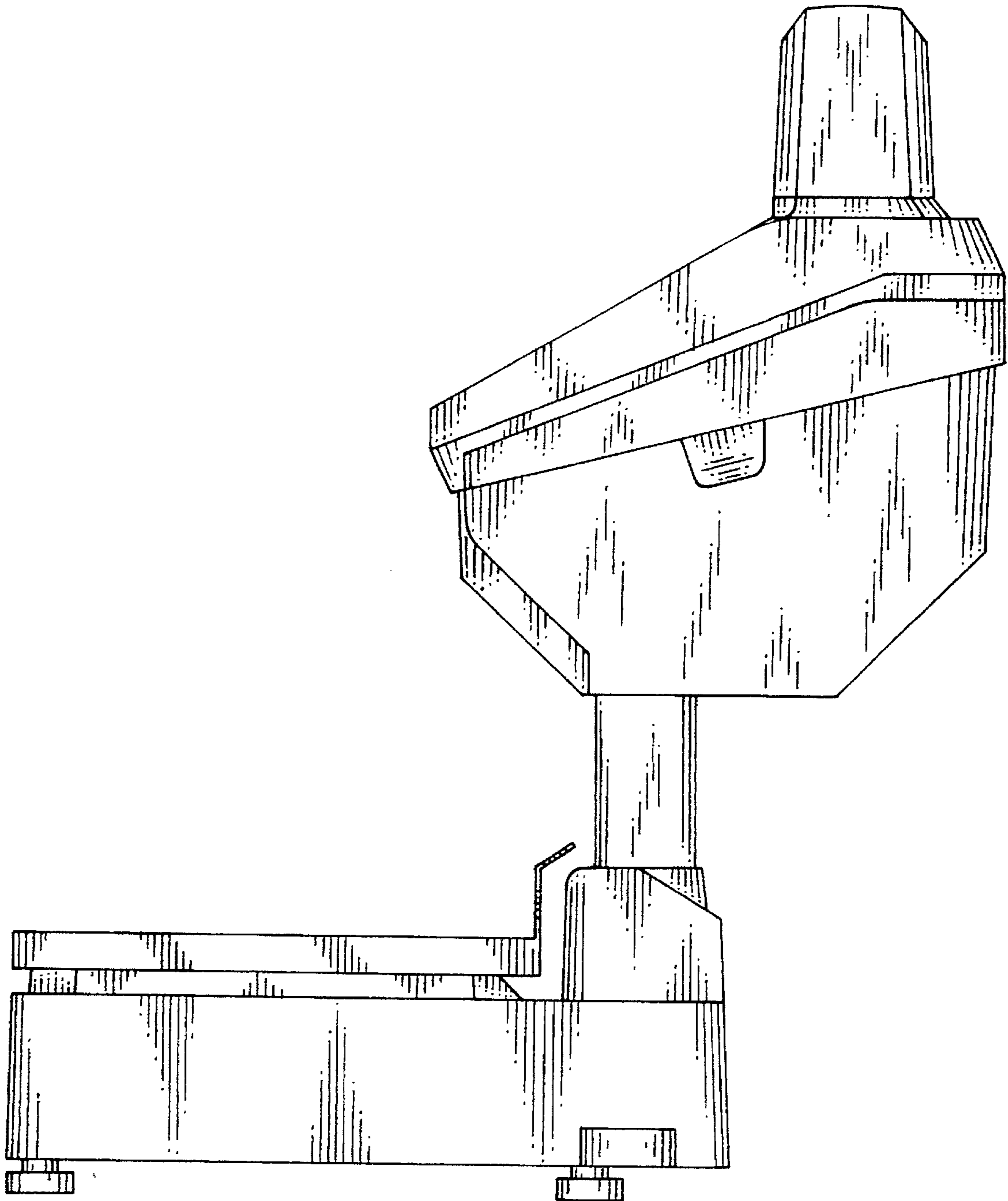


FIG. 7

UNITED STATES PATENT AND TRADEMARK OFFICE

CERTIFICATE OF CORRECTION

PATENT NO. : Des. 371,311
DATED : July 2, 1996
INVENTOR(S) : Osamu MIMOTO

It is certified that error appears in the above-identified patent and that said Letters Patent is hereby corrected as shown below:

Cover page, Item [73], change "Kabushiki Kaisha Tec" to

--Kabushiki Kaisha TEC--.

Signed and Sealed this
Ninth Day of December, 1997



BRUCE LEHMAN

Commissioner of Patents and Trademarks

Attest:

Attesting Officer