



US00D371309S

United States Patent [19]
Webb

[11] **Patent Number: Des. 371,309**

[45] **Date of Patent: **Jul. 2, 1996**

[54] **LASER BUBBLE LEVEL**

[76] Inventor: **James Webb**, 877 Ave. B, Redondo Beach, Calif. 90277

[**] Term: **14 Years**

[21] Appl. No.: **42,211**

[22] Filed: **Aug. 4, 1995**

[52] U.S. Cl. **D10/69**

[58] Field of Search D10/69; 33/365-390

[56] **References Cited**

U.S. PATENT DOCUMENTS

- D. 301,553 6/1989 Makofsky et al. D10/69
- D. 355,134 2/1995 Kennedy D10/69
- 4,829,676 5/1989 Waldron D10/69 X

Primary Examiner—Antoine Duval Davis

Attorney, Agent, or Firm—Roger A. Marrs

[57] **CLAIM**

The ornamental design for laser bubble level, as shown.

DESCRIPTION

FIG. 1 is a front perspective view showing my new design for a laser bubble level;

FIG. 2 is a rear perspective thereof;

FIG. 3 is a side elevational view thereof with the opposite side being a mirror image thereof;

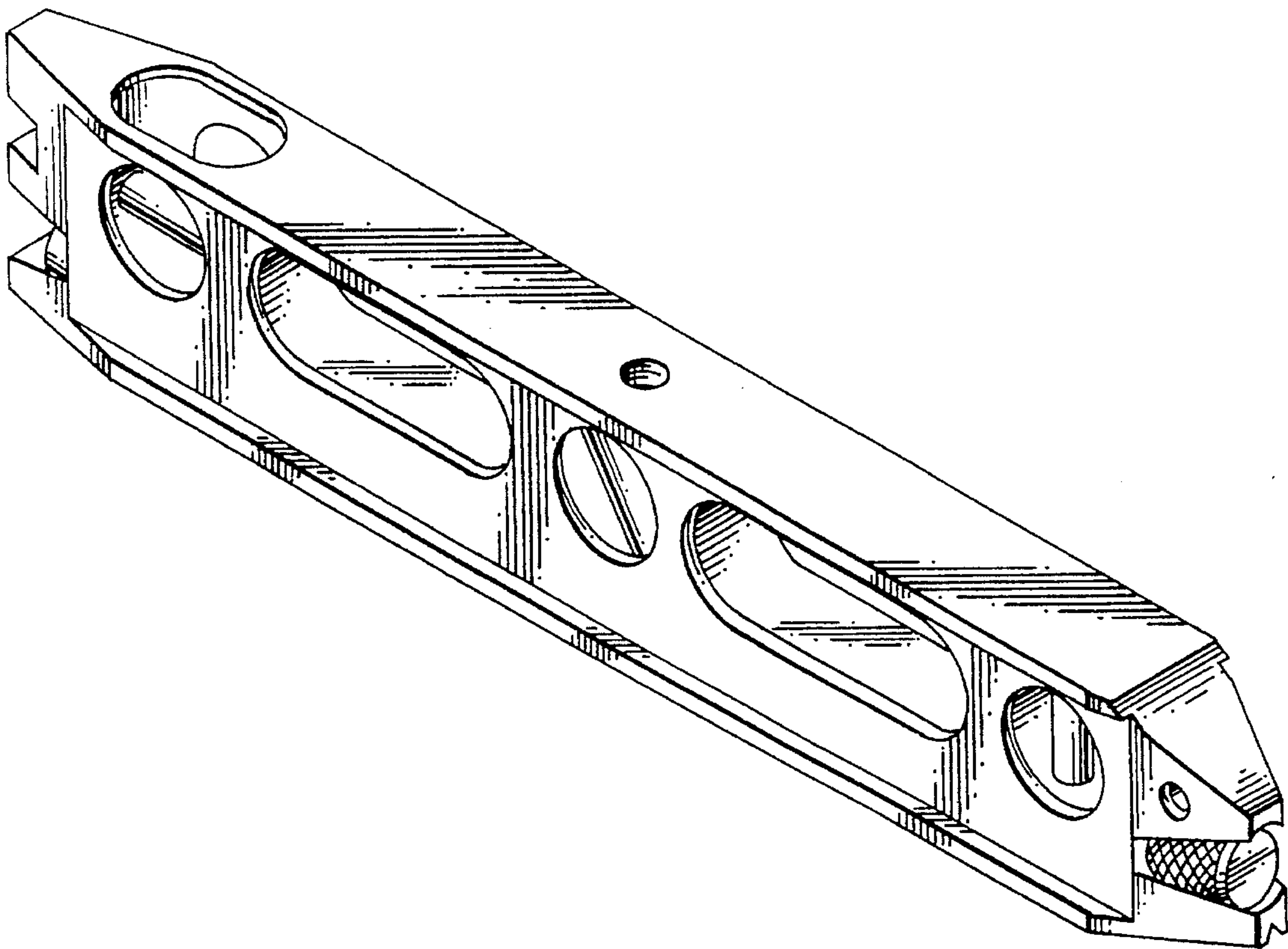
FIG. 4 is a top plan view thereof;

FIG. 5 is a bottom view thereof;

FIG. 6 is an end elevational view thereof; and,

FIG. 7 is an end elevational view opposite from the end shown in FIG. 6.

1 Claim, 2 Drawing Sheets



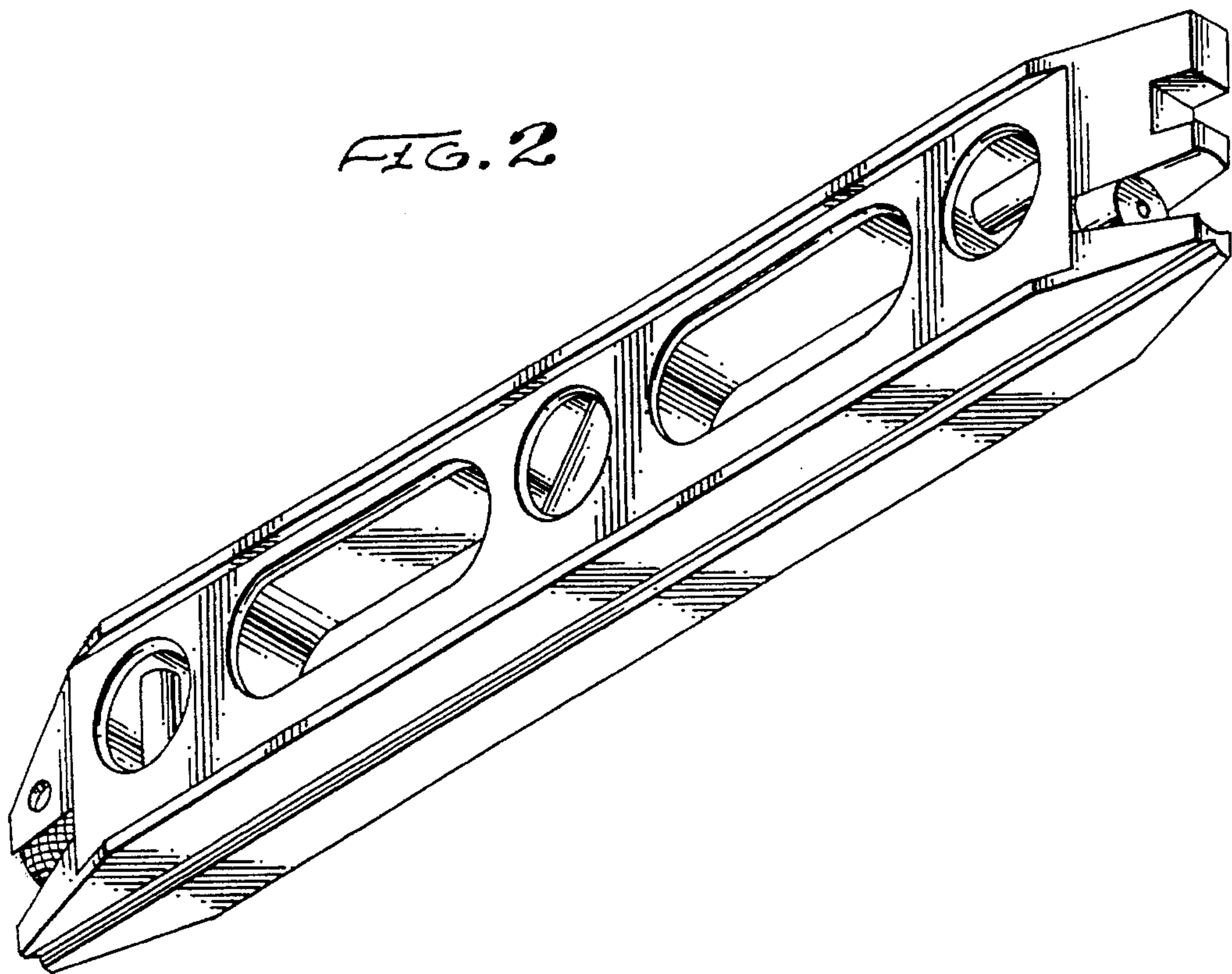
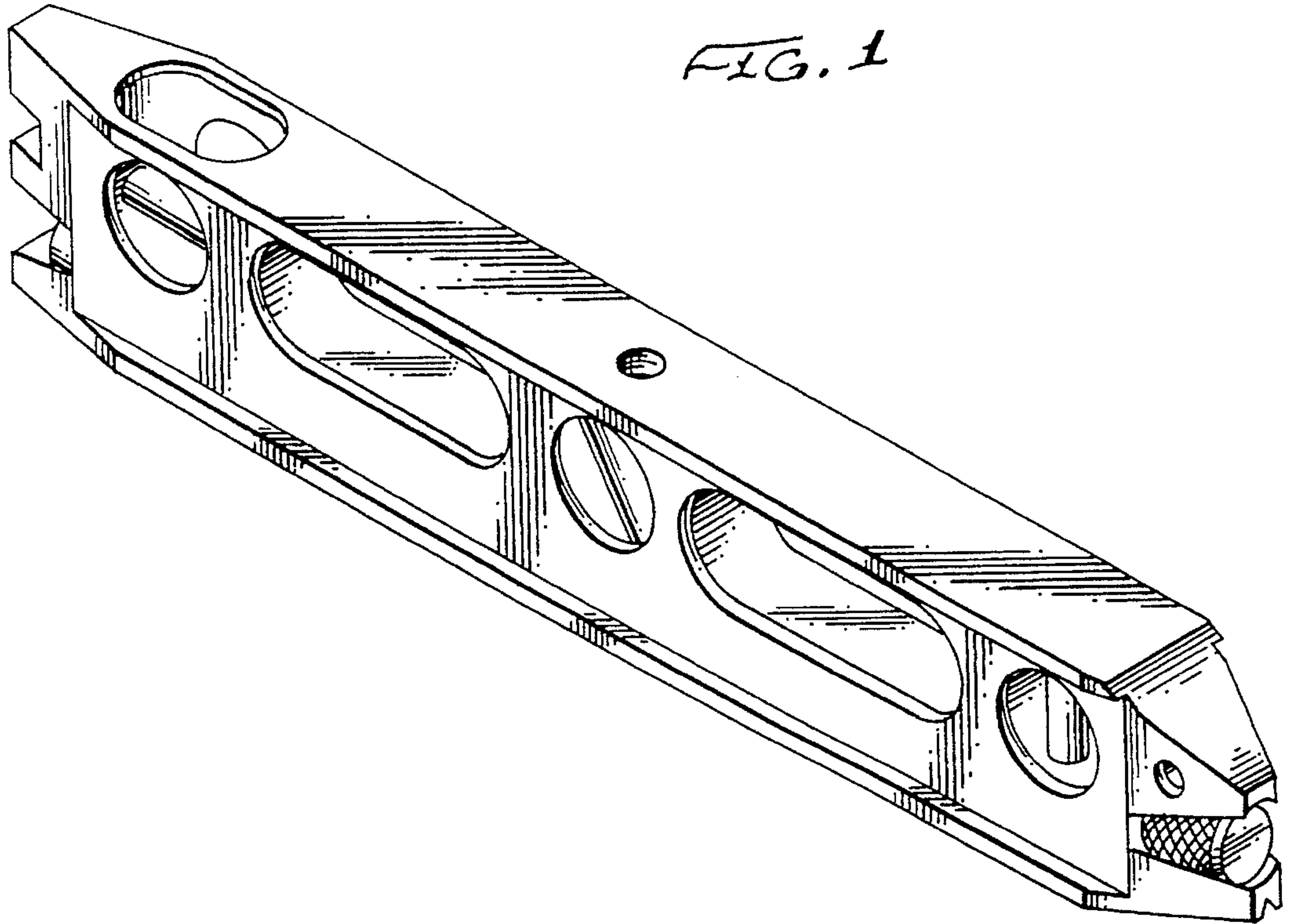


FIG. 3

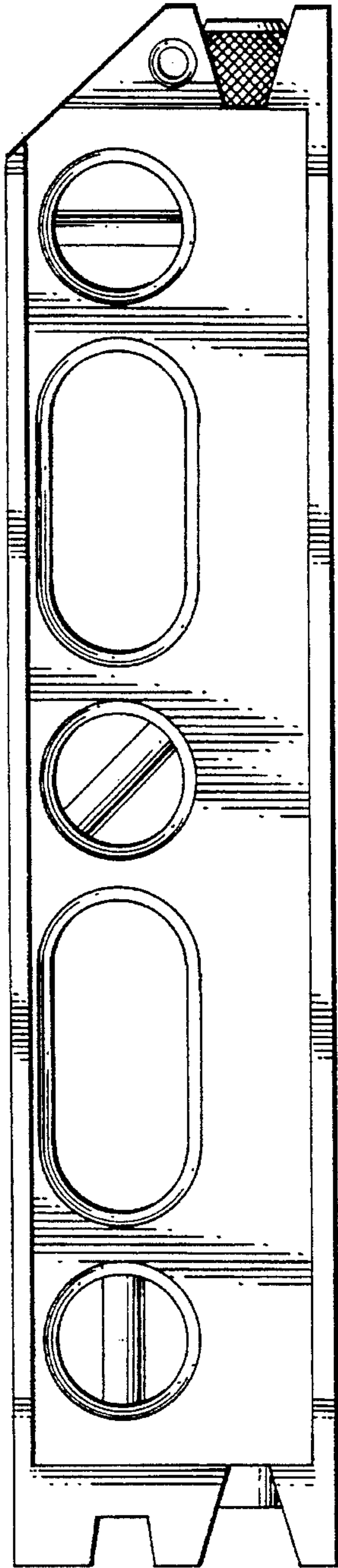


FIG. 4

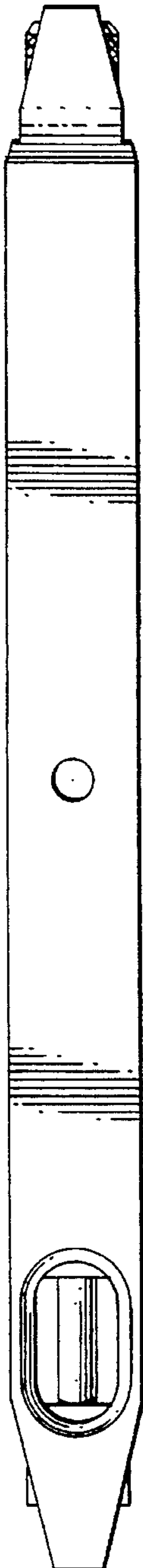


FIG. 5

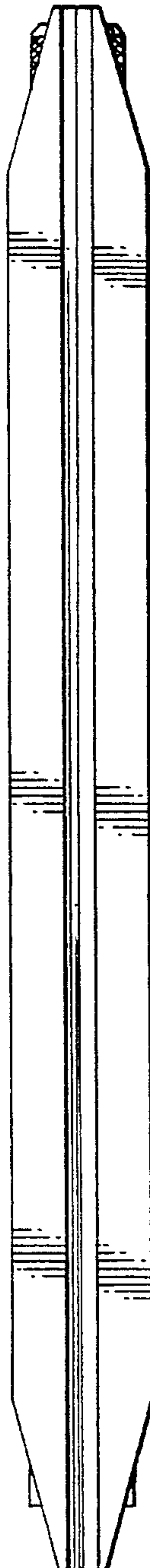


FIG. 7

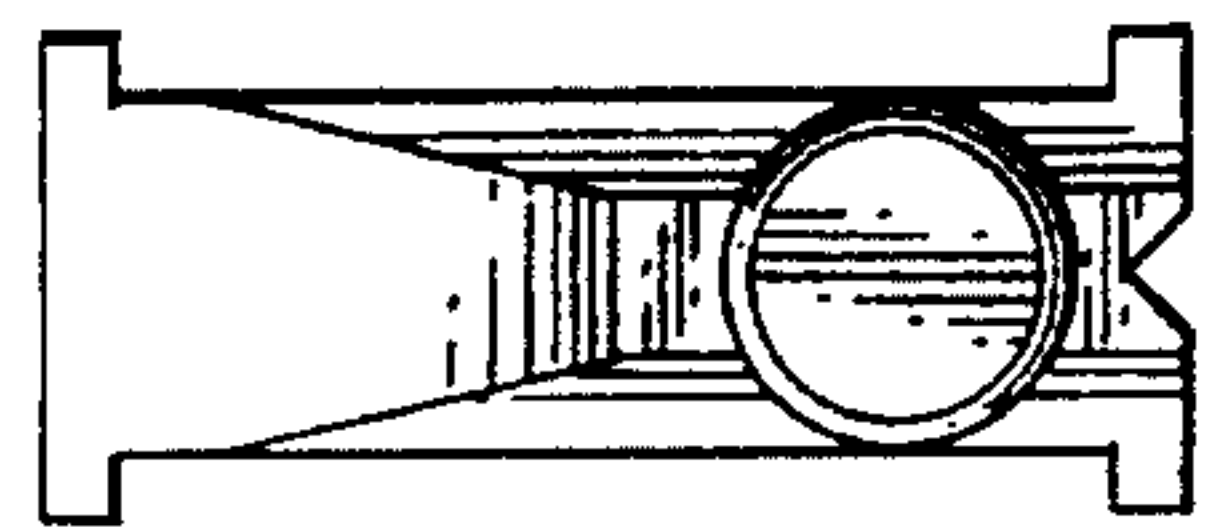


FIG. 6

