



US00D371305S

United States Patent [19]
Kruger

[11] **Patent Number: Des. 371,305**
[45] **Date of Patent: **Jul. 2, 1996**

[54] **TOTE COVER**

[75] Inventor: **Cory J. Kruger**, Gardner, Mass.
[73] Assignee: **Sterilite Corporation**, Townsend, Mass.
[**] Term: **14 Years**

[21] Appl. No.: **11,526**
[22] Filed: **Aug. 6, 1993**

[52] U.S. Cl. **D9/435**

[58] **Field of Search** D6/406; D7/391,
D7/392.1, 502; D9/414, 432, 434-6, 425,
443; 190/1, 10-11; 206/503-4, 508, 518;
211/126; 220/1 T, 94 A, 97 D, 306; 312/231,
237, 270

[56] **References Cited**

U.S. PATENT DOCUMENTS

D. 193,244	7/1962	Bliss	D6/406
D. 198,168	5/1964	Armstrong	D6/406
D. 261,591	11/1981	Herbst	D7/392.1
D. 264,539	5/1982	Pomroy	D7/392.1
D. 280,216	8/1985	Boklund	.	
D. 287,803	1/1987	Daenen et al.	D7/392.1
D. 289,719	5/1987	Daenen et al.	D7/392.1
D. 297,875	9/1988	Carville	.	
D. 302,774	8/1989	Murphy	.	
D. 344,435	2/1994	Whall	D6/406
D. 356,497	3/1995	Zimmerman	.	
3,734,341	5/1973	Levenhagen	.	

OTHER PUBLICATIONS

Sterilite Tote Bin No. 1682 Catalog Sheet pre-1993.
Sterilite Tote Bins No. 1683 Catalog Sheet pre-1993.
Sterilite Tote Bins No. 1686, 1684 Catalog Sheet pre-1993.
Tucker Plastic Housewares 1972 Catalog p. 18.
Tucker Housewares Catalog pre-1993, p. 20.
Tucker Housewares Catalog pre-1993, p. 28.
Tucker Pastel Colors Catalog Sheets pre-1993.
Rubbermaid Food Service Products Catalog 1991, p. 25.
Rubbermaid and Matting Catalog 1991, Conolidated Plas-
tics Company, Inc. pp. 12, 18, 33.

Rubbermaid and Matting Catalog 1993, Consolidated Plas-
tics Company, Inc. pp. 12, 19, 29.
Rubbermaid Annual Report 1985, p. 11.
Rubbermaid 1978 Housewares Catalog, p. 16.
Rubbermaid Conquers Space Catalog pre-1993.
Caldor Grand Opening Sale Circular Advertisement
pre-1993, p. 7.
Sterilite Recycling Solutions Catalog pre-1993.
Sterilite Home Storage and Utility Catalog, Nos. 1652,
1654, 1656 pre-1993.
Sterilite Store N'-Save Catalog Sheet, No. 1650 pre-1993.
Sterilite 3pc. Soft Seal Food Keeps No. 337 Catalog Sheet
pre-1993.
Sterilite Flavor Savers Catalog Sheet pre-1993.
Sterilite Storage Drawers No. 1633 Catalog Sheet pre-1993.
Sterilite Storage Boxes Catalog Sheet pre-1993.
Sterilite Storage Box No. 1652 Catalog Sheet pre-1993.
Sterilite Storage Boxes Catalog Sheet pre-1993.
Sterilite Microwave Reheatable Catalog pre-1993.
Sterilite Home Storage & Utility Catalog Sheet pre-1993.
Tucker Ram-Tuff Tote Containers Catalog Aug. 1989.

Primary Examiner—Alan P. Douglas
Assistant Examiner—Robert M. Spear
Attorney, Agent, or Firm—Donald Brown; Ernest V. Linek

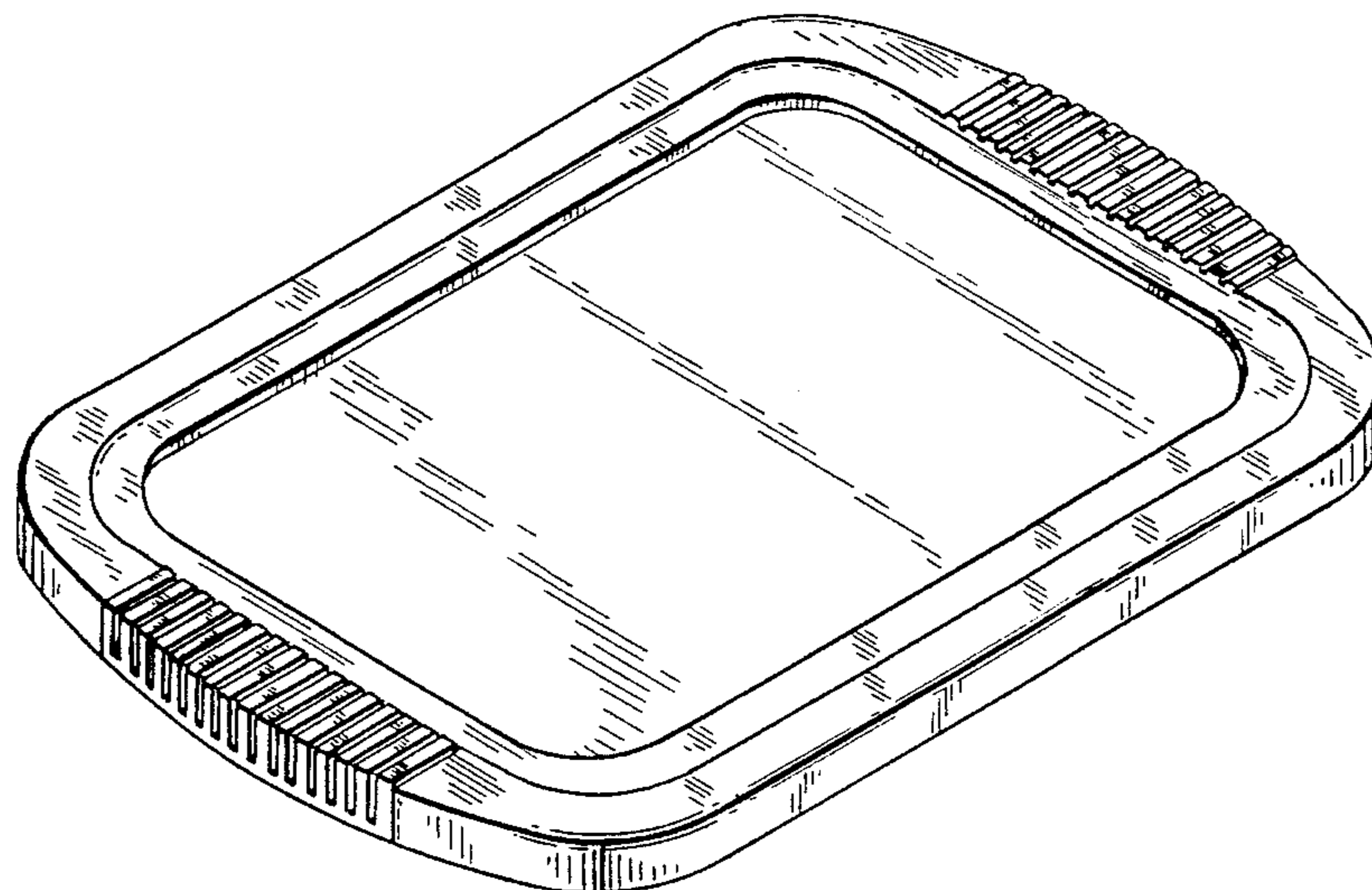
[57] **CLAIM**

The ornamental design of a tote cover, as shown and
described.

DESCRIPTION

FIG. 1 is a perspective view of a tote cover of this invention;
FIG. 2 is a top plan view of the tote cover of this invention;
FIG. 3 is a side view of the tote cover of this invention, both
sides being identical;
FIG. 4 is an end view of the tote cover of this invention, both
ends being identical;
FIG. 5 is a bottom view of the tote cover of this invention;
FIG. 6 is a partial sectional view taken along line 6-6 of
FIG. 2; and,
FIG. 7 is a sectional view taken along line 7-7 of FIG. 2.

1 Claim, 4 Drawing Sheets



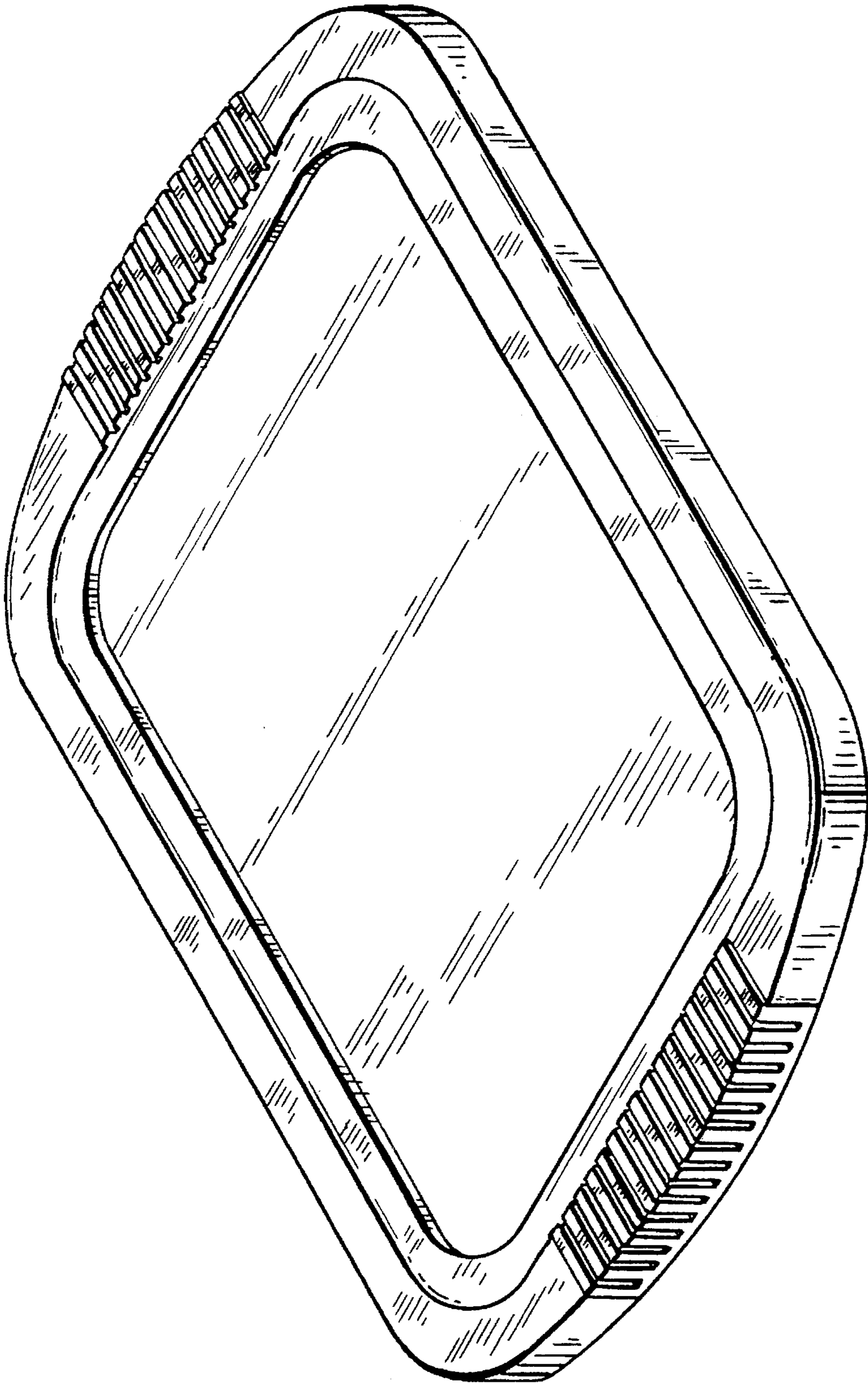


FIG. 1

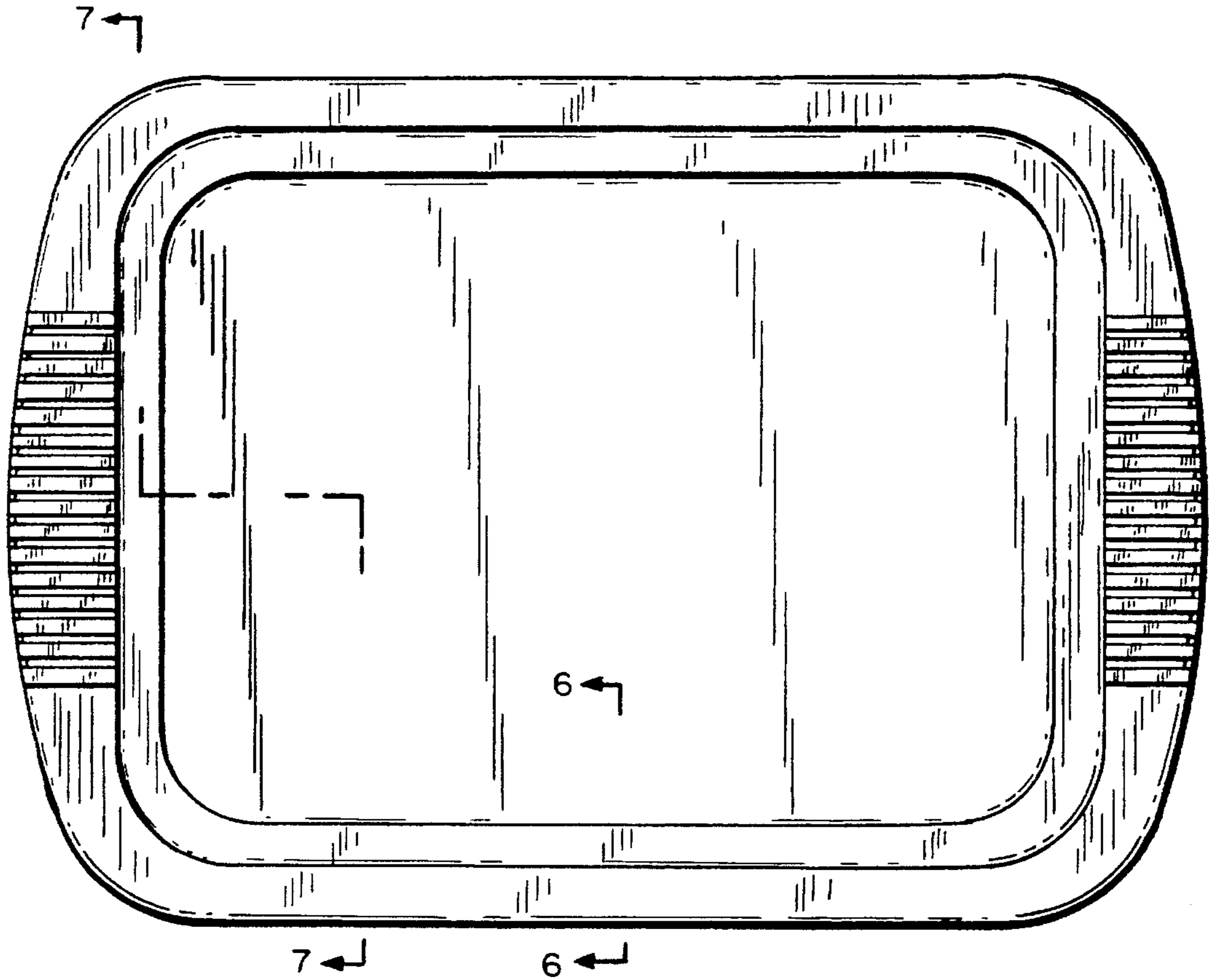


FIG. 2

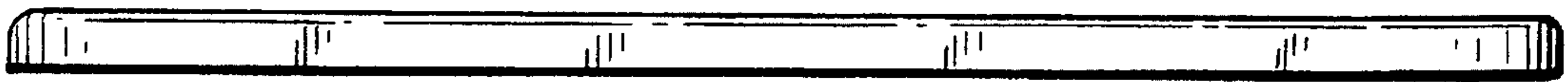


FIG. 3



FIG. 4

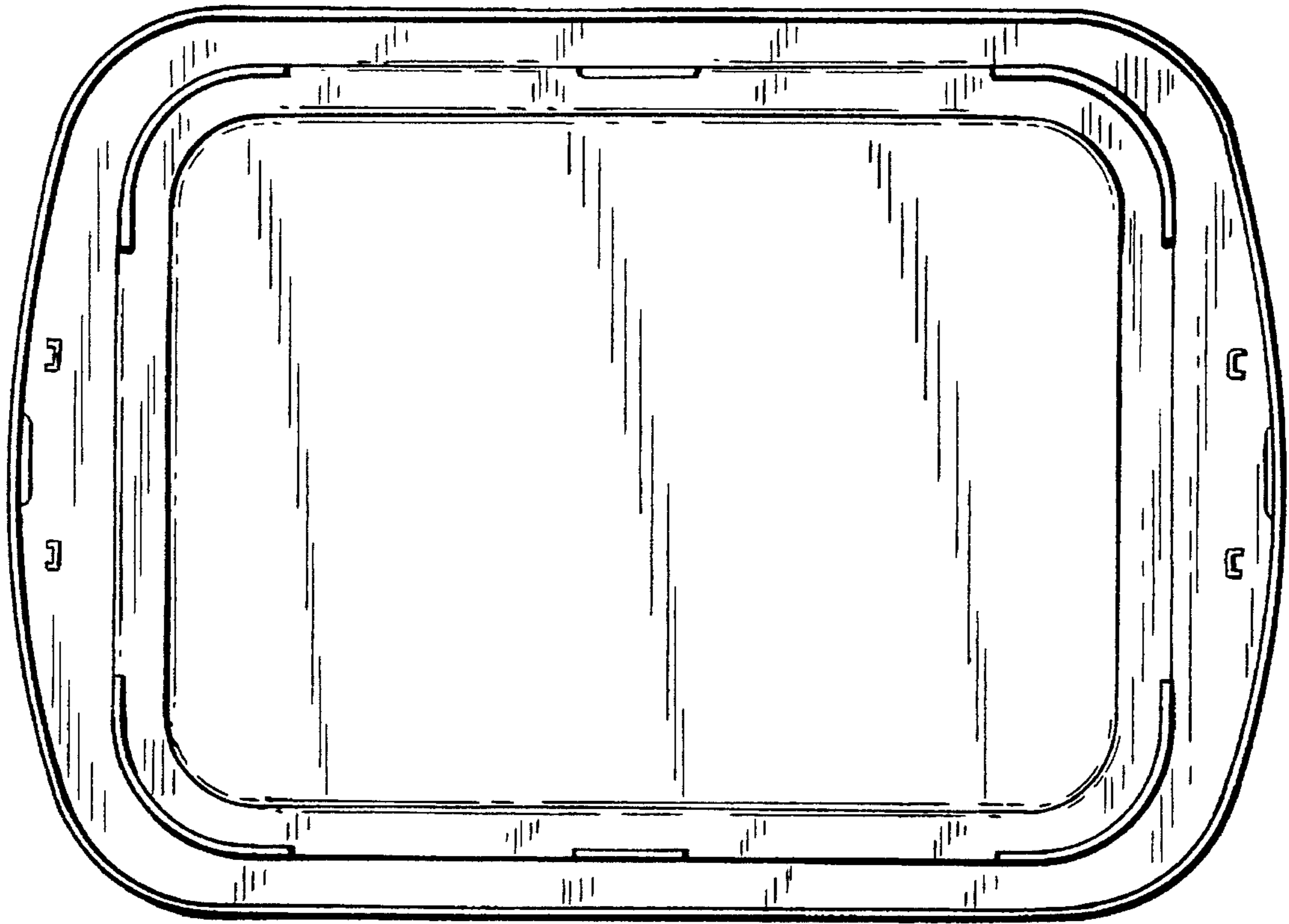


FIG. 5



FIG. 7



FIG. 6