



US00D371303S

United States Patent [19]

Nielsen

[11] Patent Number: **Des. 371,303**

[45] Date of Patent: ****Jul. 2, 1996**

[54] **HOOK FOR HANGING PLASTIC VENT PIPES**

[76] Inventor: **Franklin H. Nielsen**, P.O. Box 321, Thornton, Iowa 50479

[**] Term: **14 Years**

[21] Appl. No.: **38,522**

[22] Filed: **May 8, 1995**

[52] U.S. Cl. **D8/370; D8/367; D8/373**

[58] Field of Search **D8/373, 370, 367, D8/387, 391; 24/26-27, 29; 248/49, 65, 58, 62, 302-303, 339, 71, 55, 218.1**

[56] **References Cited**

U.S. PATENT DOCUMENTS

D. 27,426	7/1897	Walters et al.	D8/370 X
D. 28,802	6/1898	Thomas	D8/370 X
D. 32,226	2/1900	Dotson	D8/356
D. 32,531	4/1900	Stimmel	D8/370 X
D. 32,640	5/1900	Coleman	D8/370 X
1,769,015	7/1930	Carpenter	248/58
2,104,612	1/1938	Droll	248/218.1 X
2,423,455	8/1947	Larson	248/71
2,641,428	6/1953	Kirk et al.	248/55
3,032,305	5/1962	Mittenzwei	248/62
3,216,684	11/1965	Larson	248/71
5,005,789	4/1991	Jones	248/58

OTHER PUBLICATIONS

Hardware Age, Oct. 1984, p. 95, s-hook, located at bottom of page.
Piedmont Equipment Co. Catalog, 1984, p. 153, s-hook, located near bottom of page.

Photo of a hook for hanging pipes not known to be patented but known to be in public use. Mar. 19, 1995.

Primary Examiner—Holly R. Baynham
Attorney, Agent, or Firm—Morton S. Adler

[57] **CLAIM**

The ornamental design for a hook for hanging plastic vent pipes, and shown and described.

DESCRIPTION

FIG. 1 is a side elevational view of a hook for hanging plastic vent pipes showing my new design, an opposite view being a mirror image thereof;

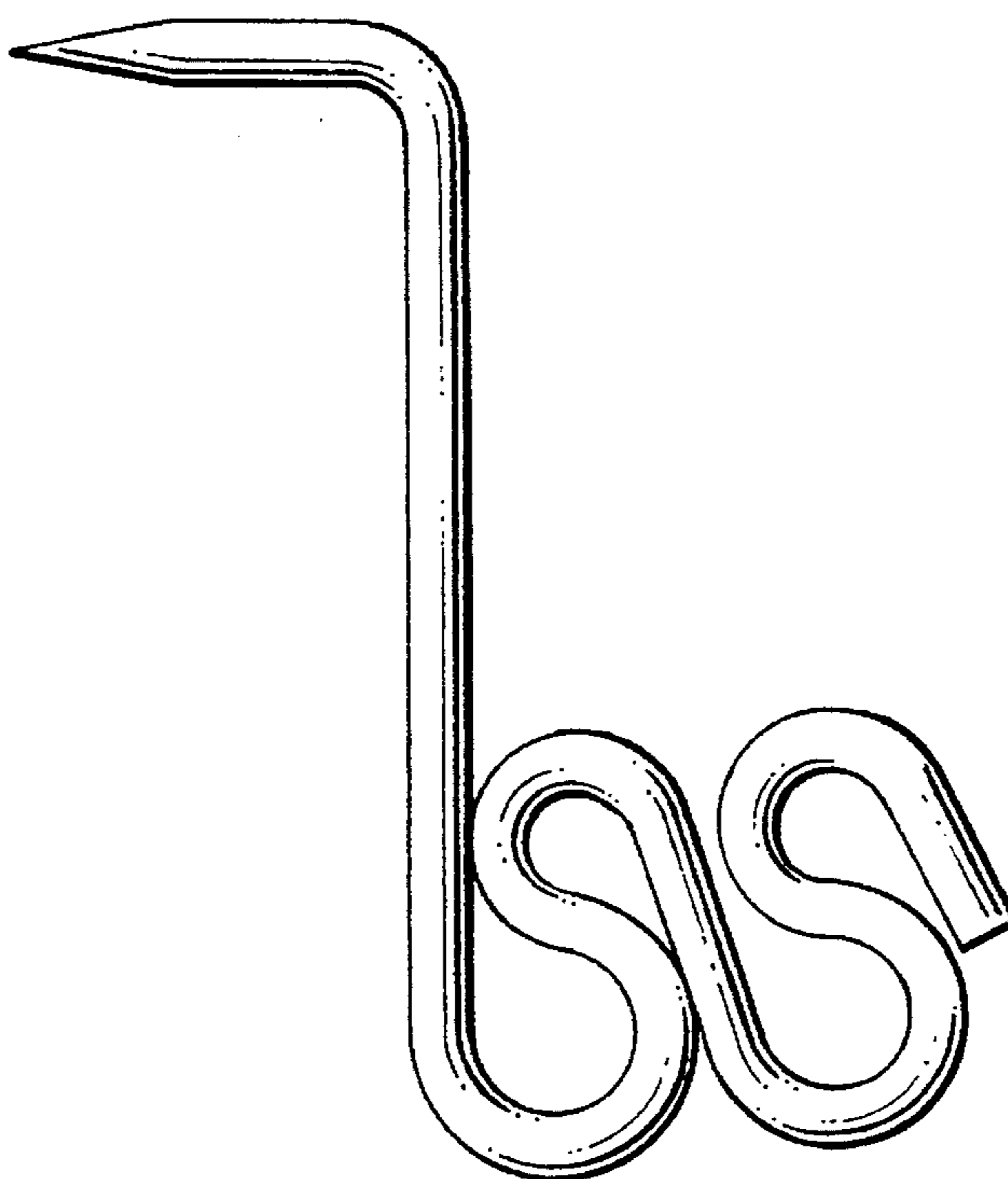
The respective top and bottom views of FIG. 1 are plain and unornamented;

FIG. 2 is a side elevational view of a hook for hanging plastic vent pipes showing a second embodiment of my new design, an opposite view being a mirror image thereof;

The respective top and bottom views of FIG. 2 are plain and unornamented; and,

FIG. 3 is a view similar to FIG. 1 with dotted lines to indicate the environment in which this hook is used, said dotted lines showing a building component to which the hook is attached and a vent pipe supported by a resilient cord which is secured to said hook, said dotted line showings being for illustrative purposes only and form no part of the claimed design.

1 Claim, 1 Drawing Sheet



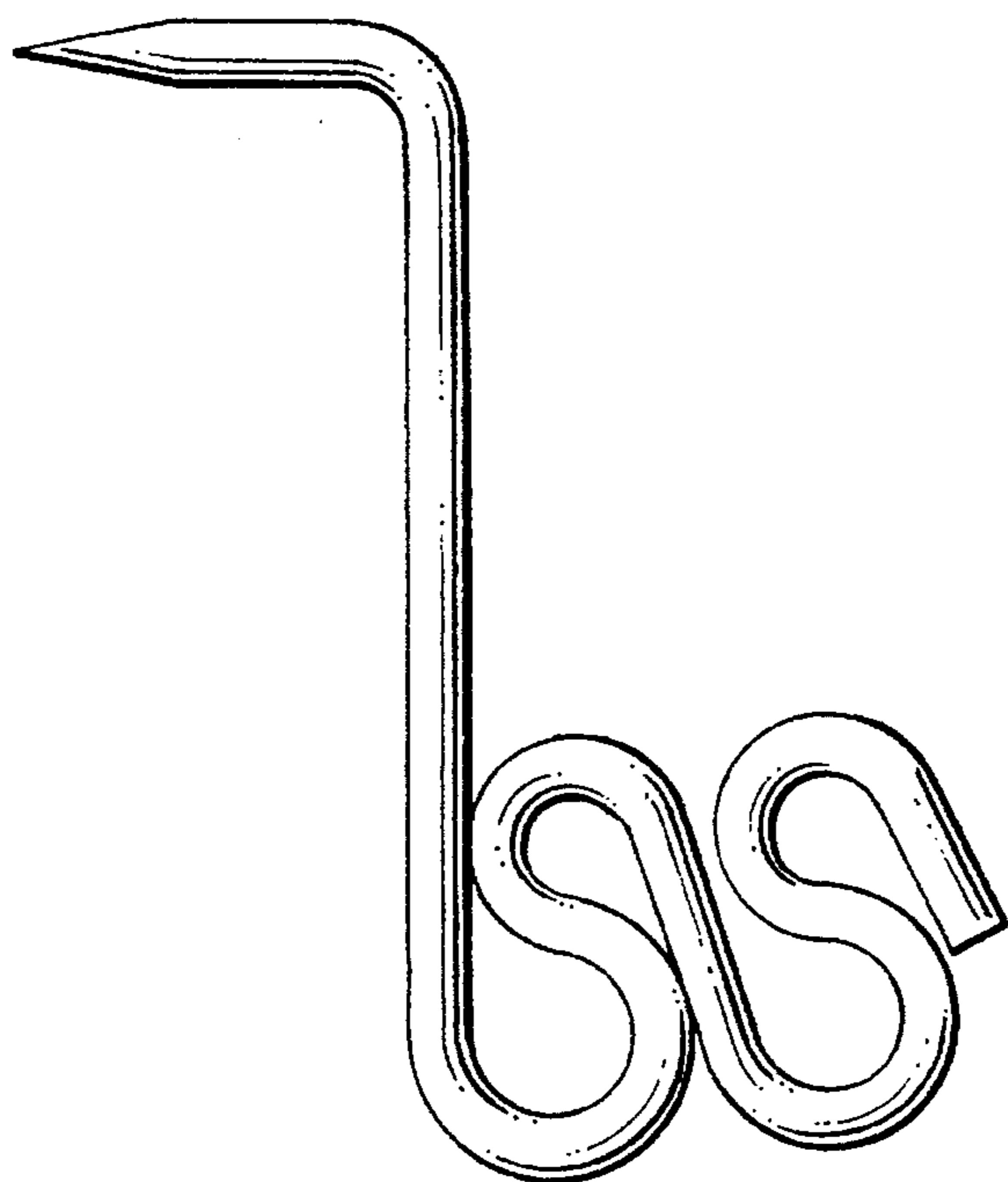


FIG. 1

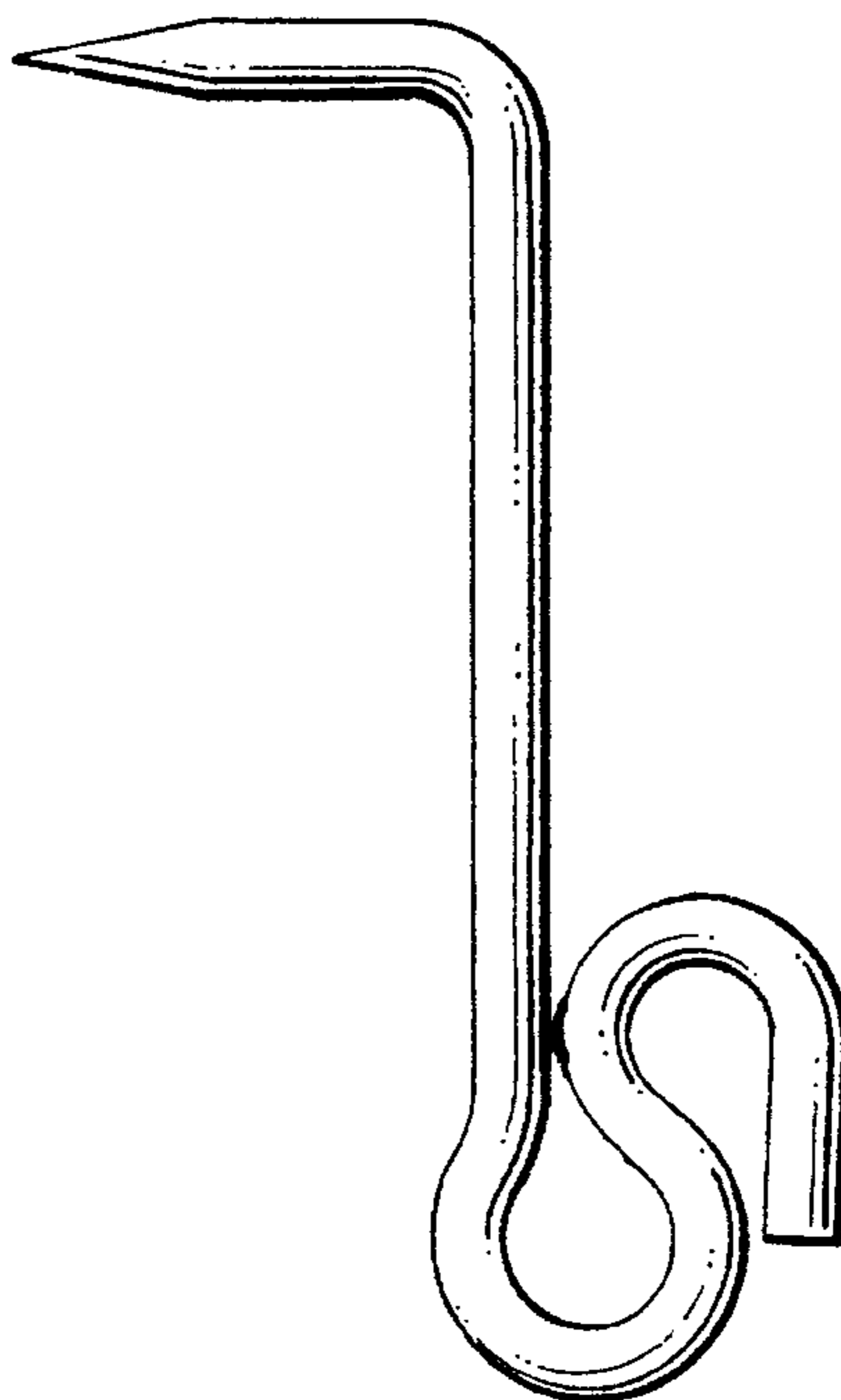


FIG. 2

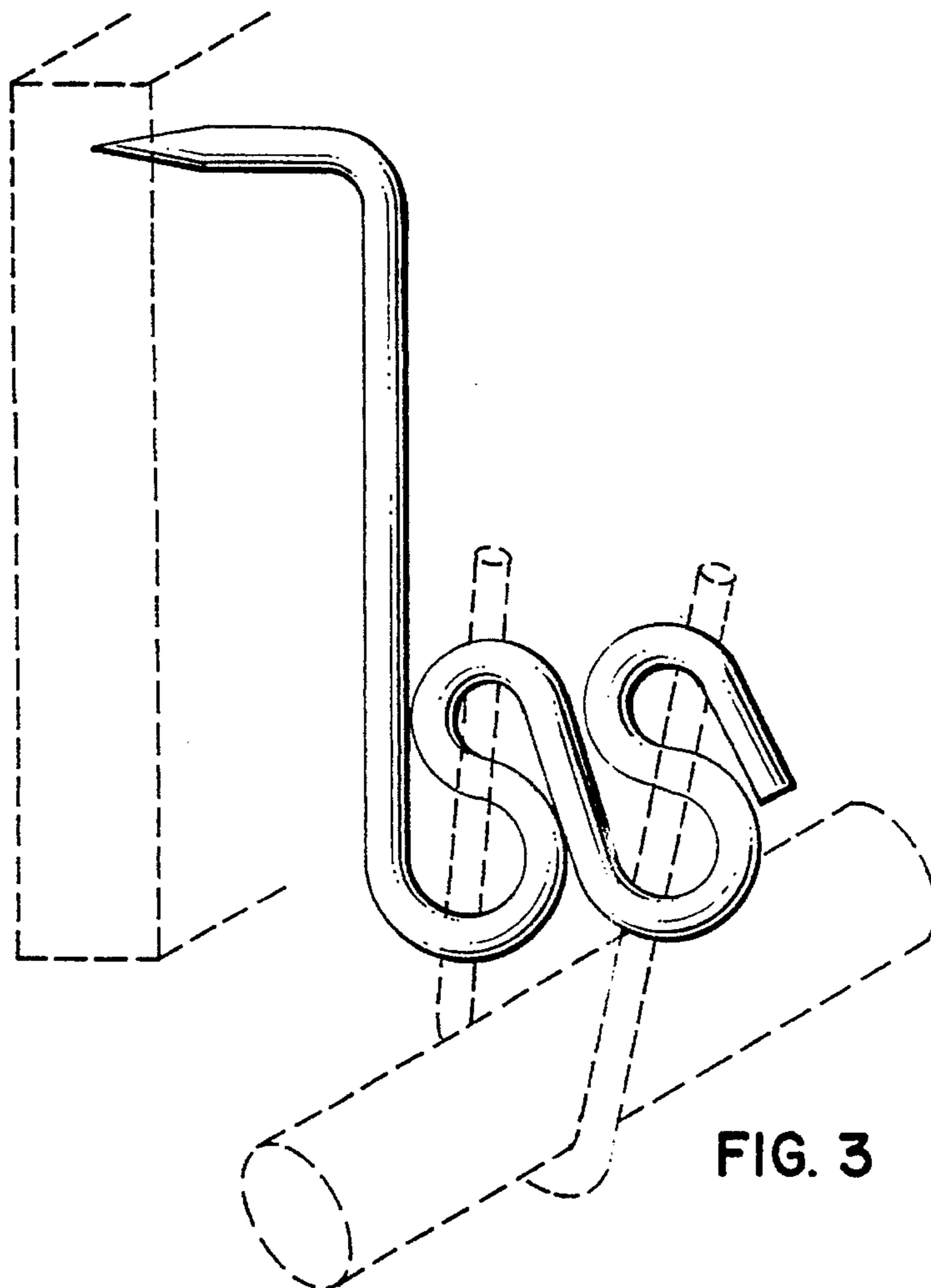


FIG. 3