



US00D371301S

United States Patent [19] Jacoff

[11] Patent Number: **Des. 371,301**

[45] Date of Patent: ****Jul. 2, 1996**

[54] **MITRE BOX**

4,461,196 7/1984 Schramm, II 83/766 X
4,945,648 8/1990 Roth et al. 83/762 X

[75] Inventor: **Daniel Jacoff**, Mineola, N.Y.

Primary Examiner—Antoine Duval Davis
Attorney, Agent, or Firm—Joseph J. Previto

[73] Assignee: **Great Neck Saw Manufacturers, Inc.**,
Mineola, N.Y.

[57] **CLAIM**

[**] Term: **14 Years**

The ornamental design for a mitre box, as shown and described.

[21] Appl. No.: **39,668**

[22] Filed: **Jun. 1, 1995**

DESCRIPTION

[52] U.S. Cl. **D8/71**

FIG. 1 is a perspective view of a mitre box showing my new design;

[58] Field of Search D8/71; D15/133;
83/762, 763, 764, 765, 766, 767; 269/41,
283, 295

FIG. 2 is a top view thereof;

FIG. 3 is a side view thereof;

FIG. 4 is a rear view thereof;

FIG. 5 is a front view thereof;

FIG. 6 is a side view thereof; and,

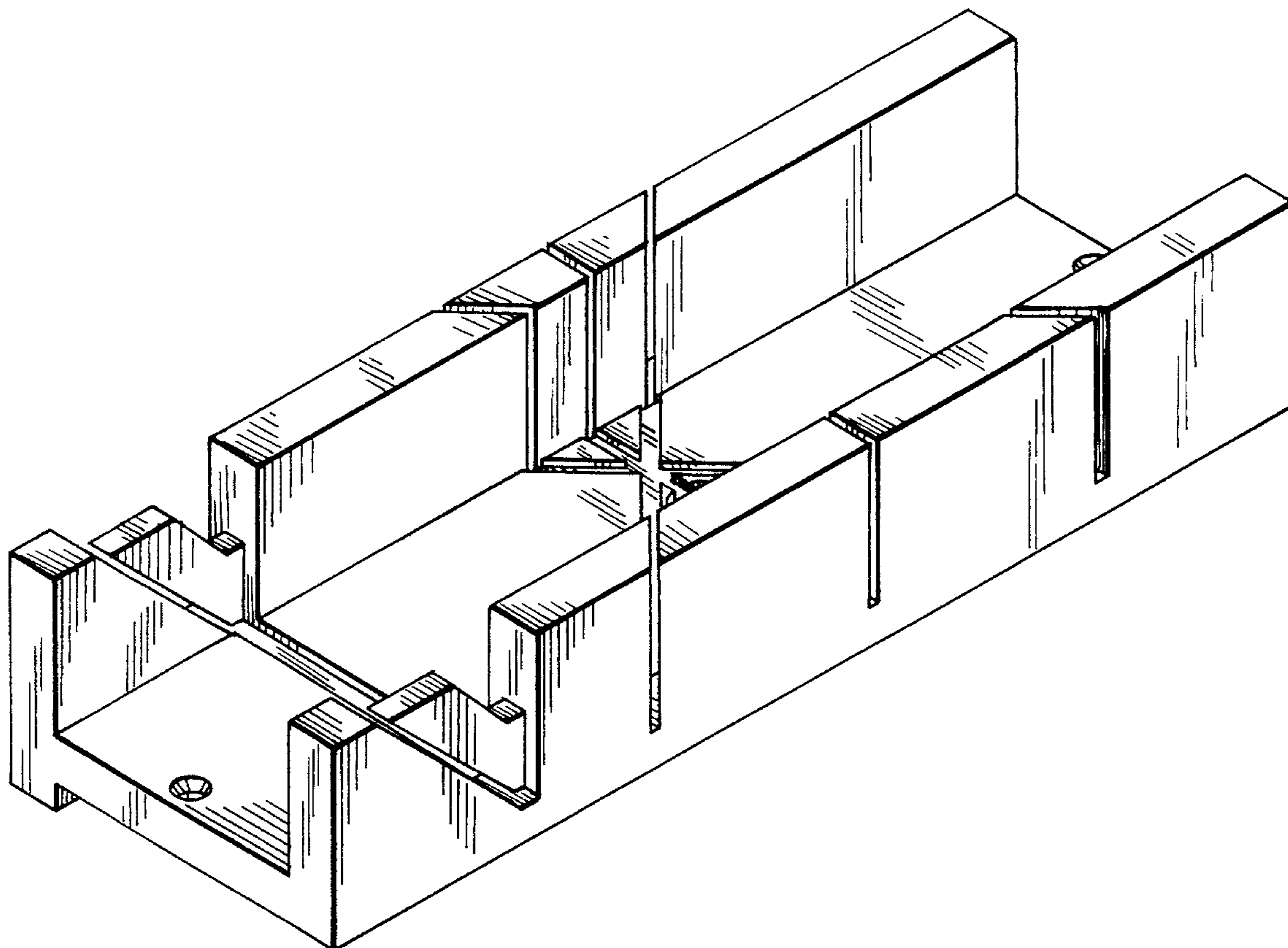
FIG. 7 is a bottom view thereof.

[56] **References Cited**

U.S. PATENT DOCUMENTS

D. 268,732 4/1983 O'Neill D8/71
D. 358,750 5/1995 Regitko et al. D8/71
4,300,755 11/1981 Potvin 83/762 X

1 Claim, 2 Drawing Sheets



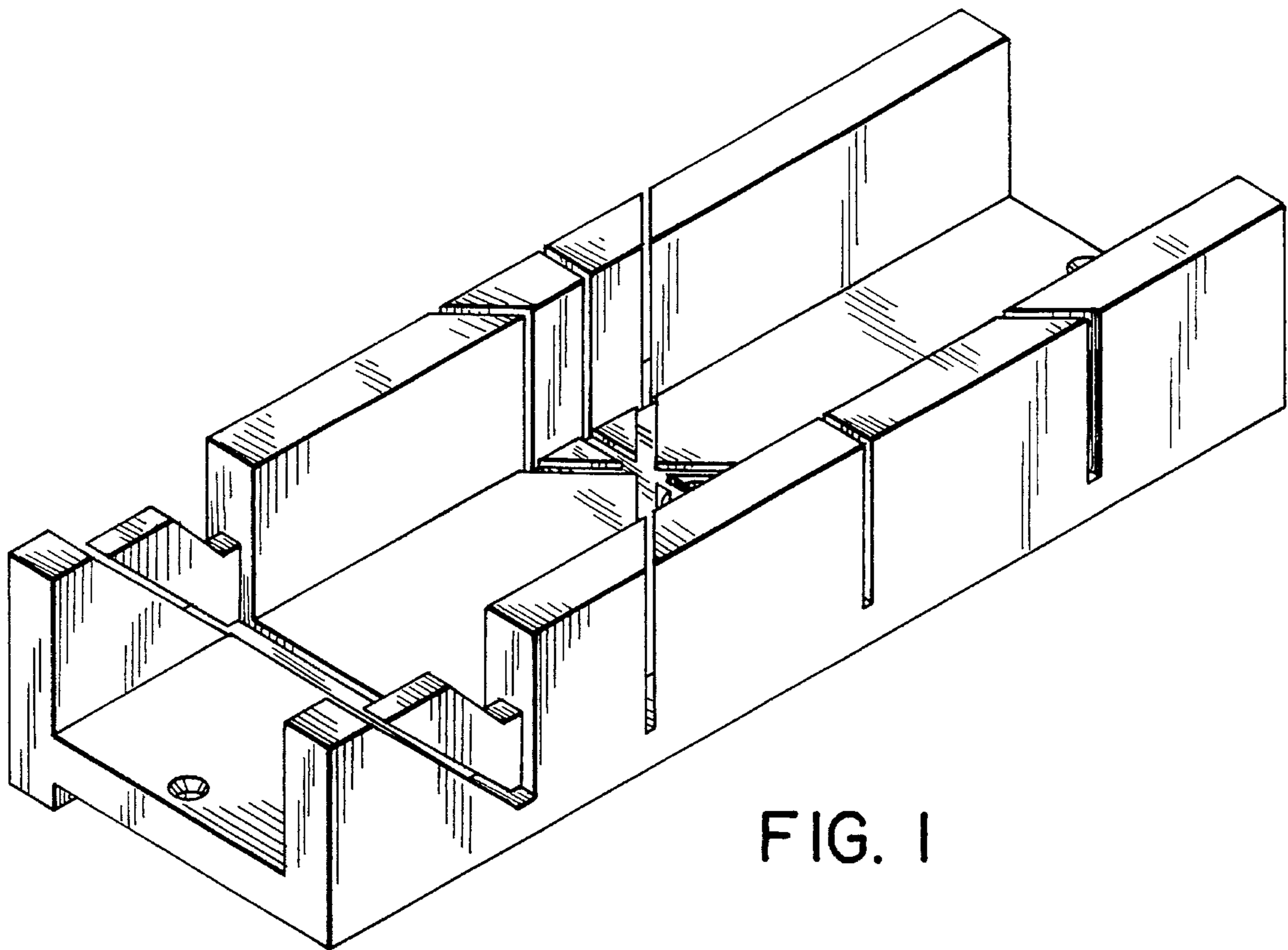


FIG. 1

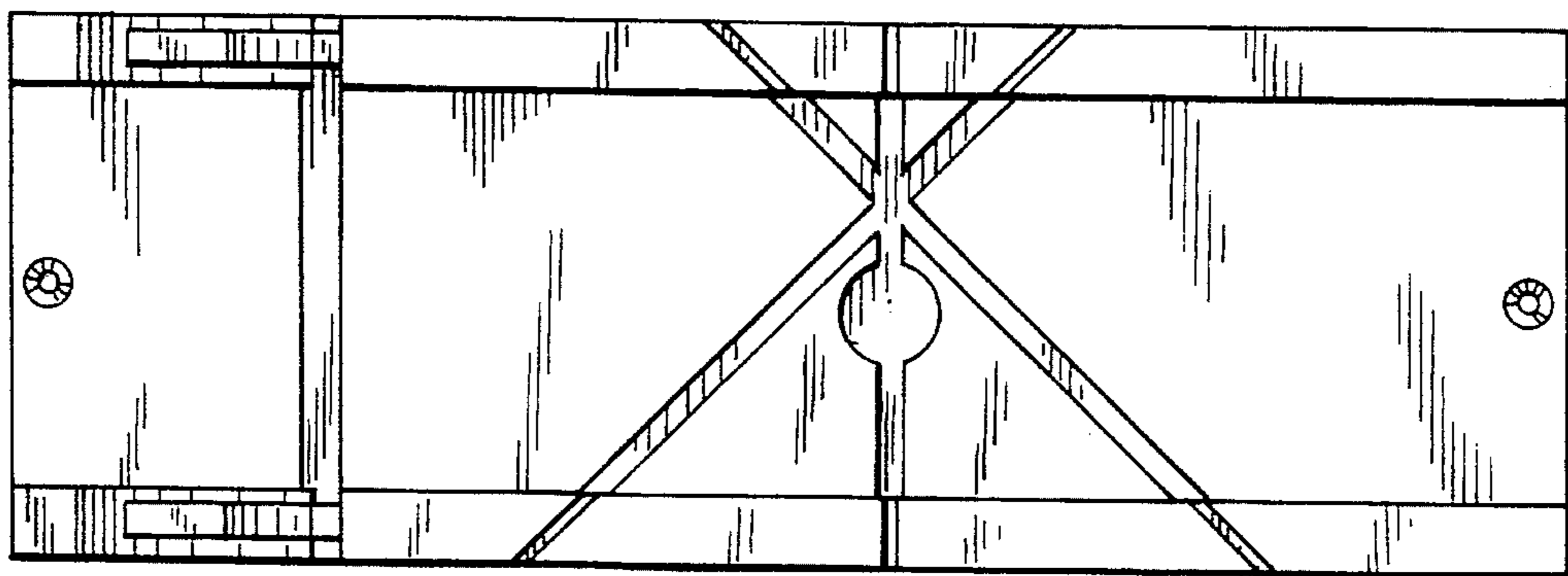


FIG. 2

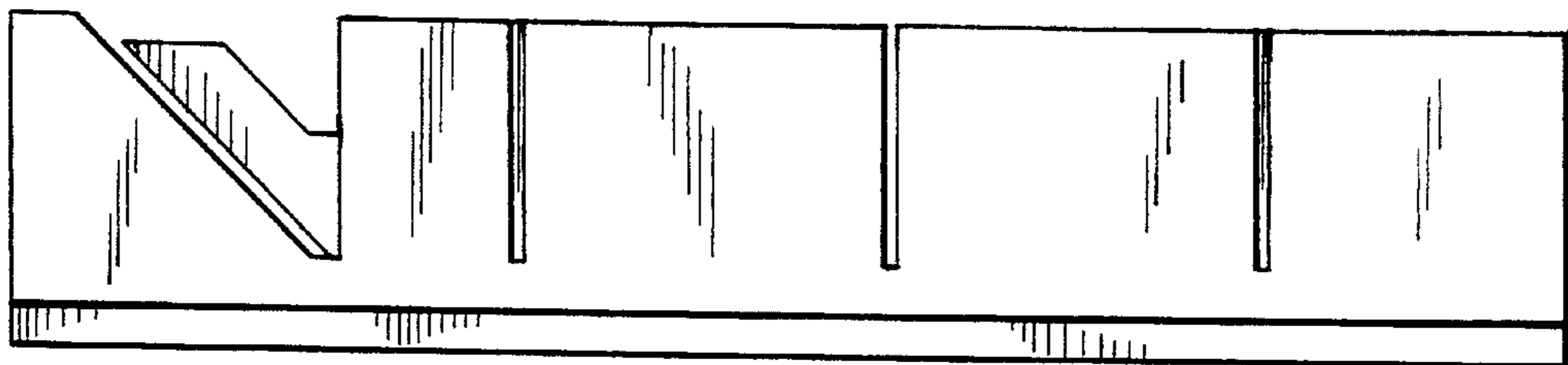


FIG. 3

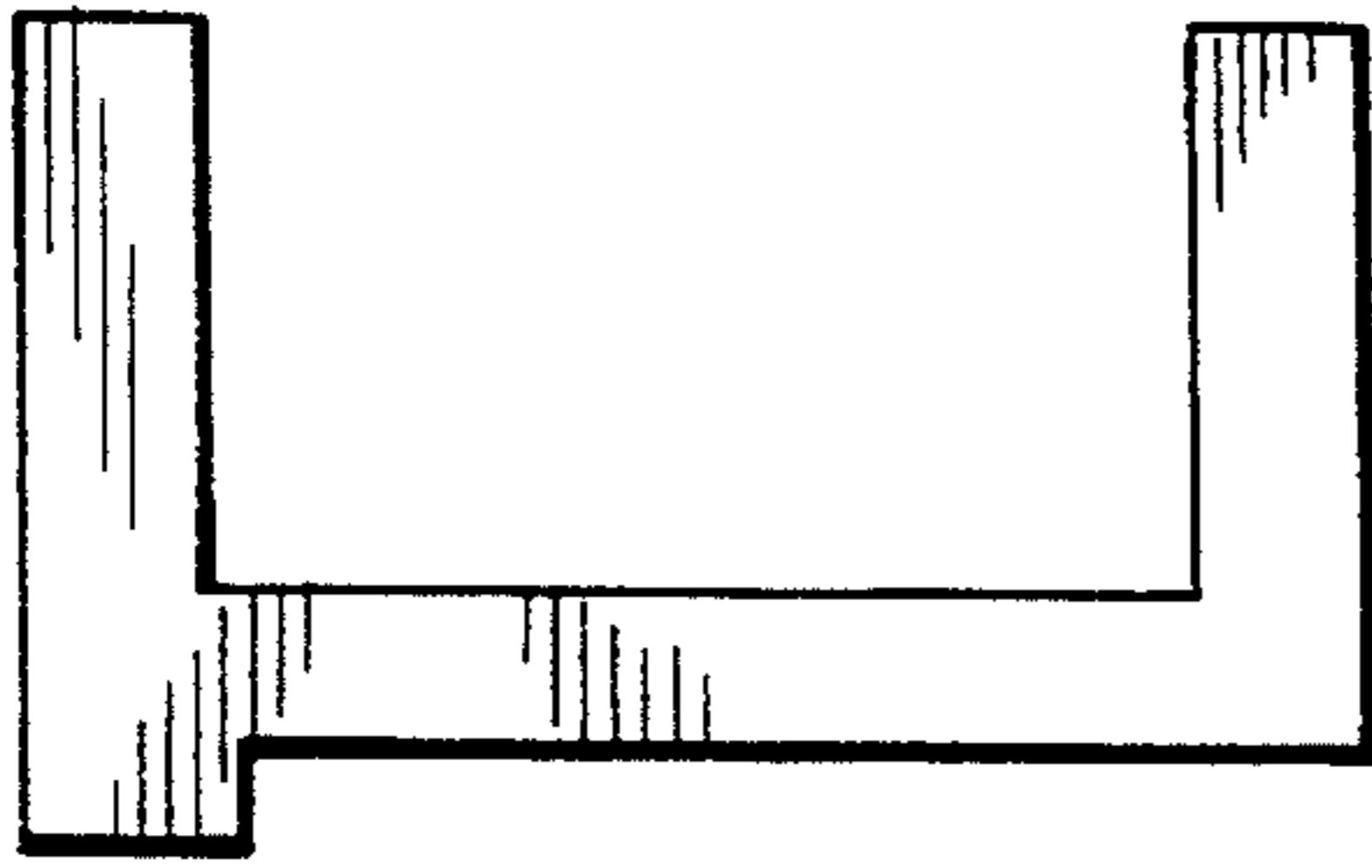


FIG. 4

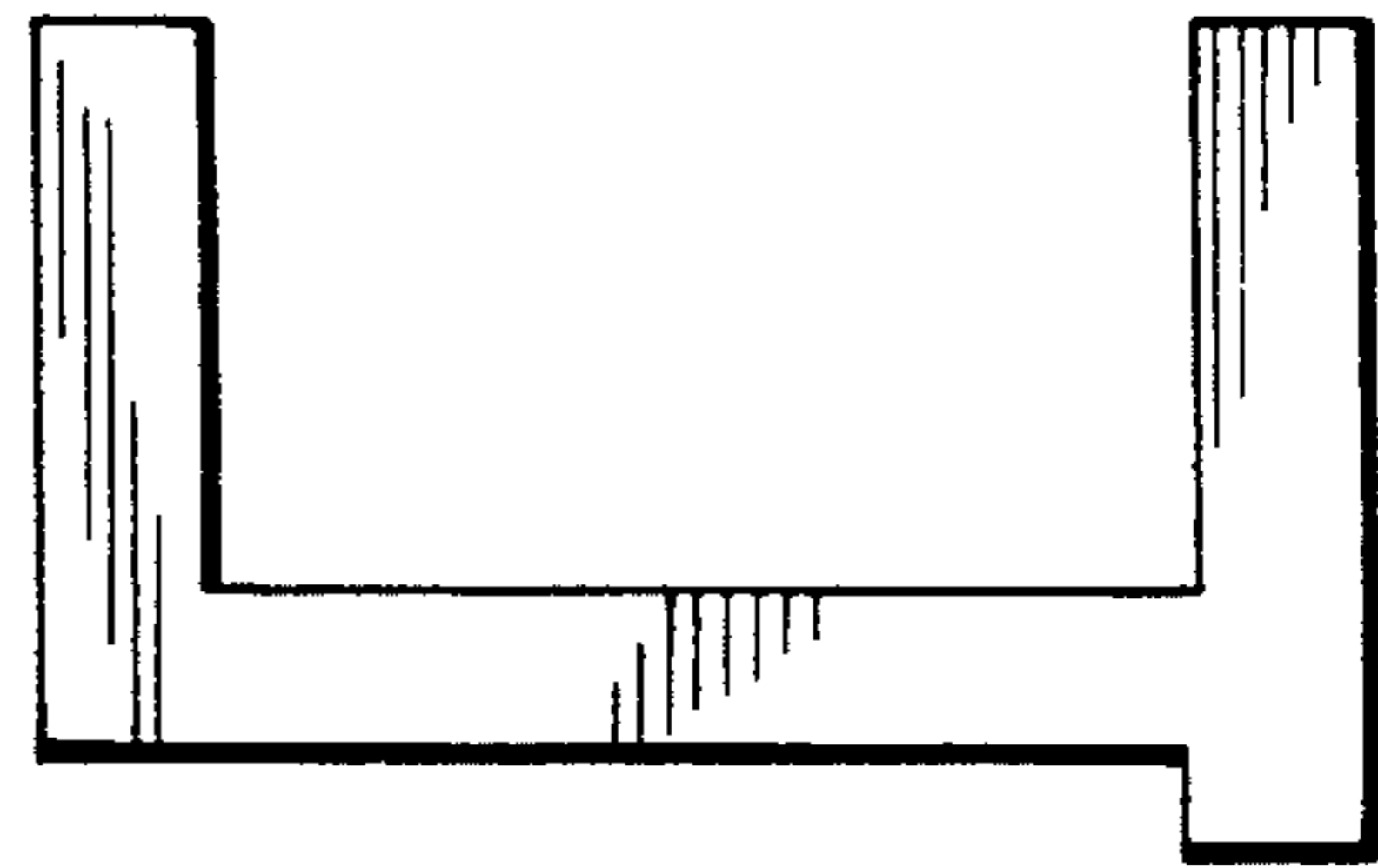


FIG. 5

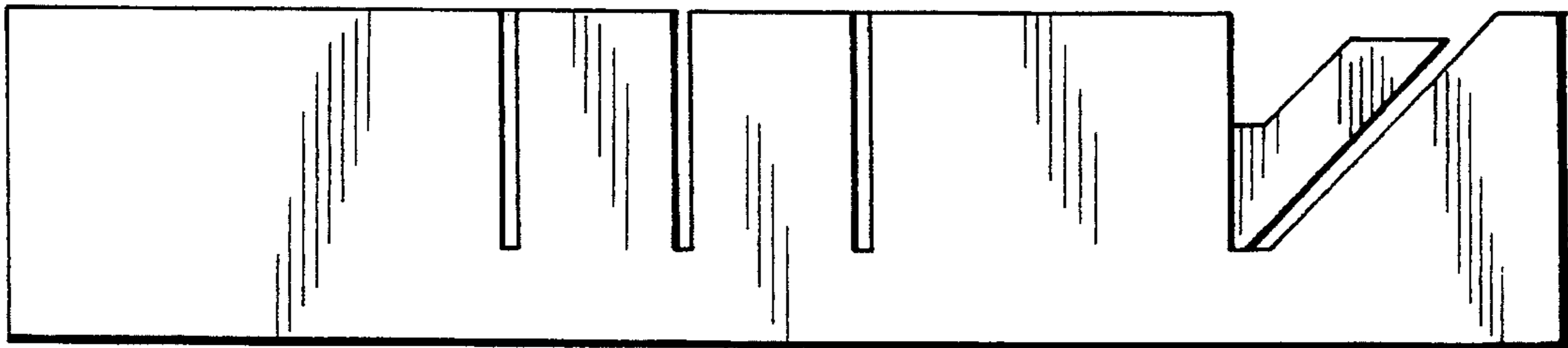


FIG. 6

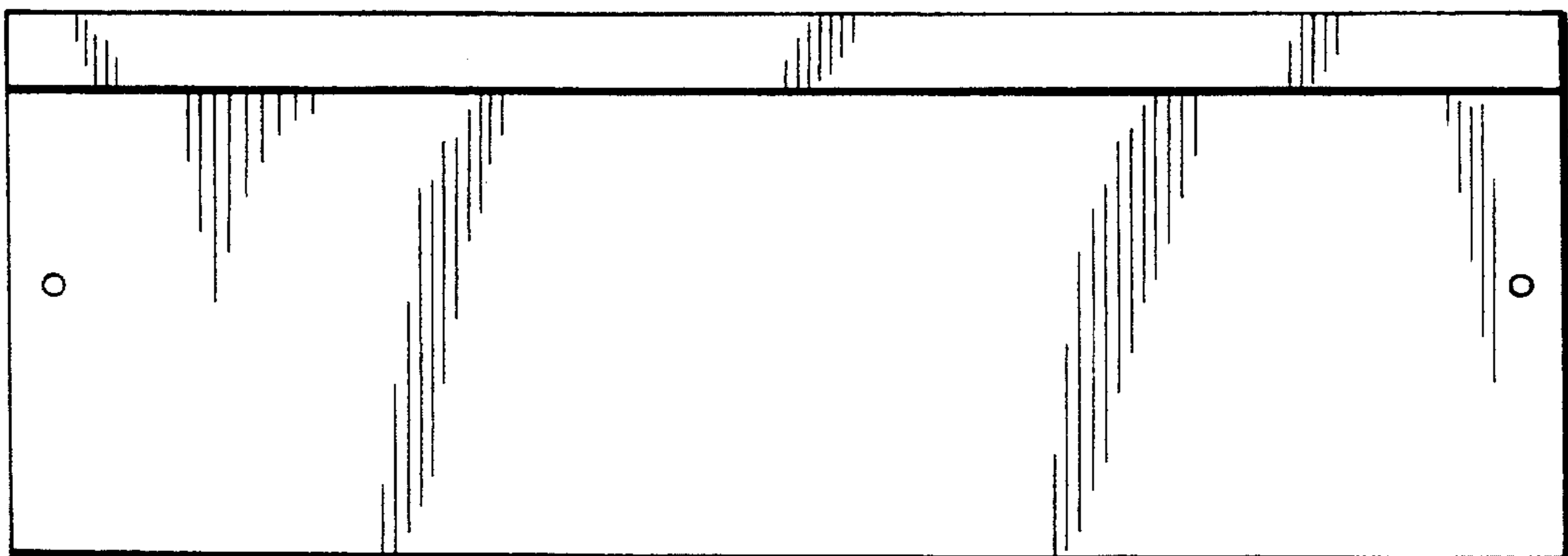


FIG. 7