



US00D371297S

United States Patent [19]
Robbins, III

[11] **Patent Number: Des. 371,297**
[45] **Date of Patent: **Jul. 2, 1996**

[54] **CLEAR PLASTIC MEASURING/DISPENSING SPOUT**

2,786,612 3/1957 Gallo .
2,804,103 8/1957 Wall .
2,811,281 10/1957 Donovan .

[76] Inventor: **Edward S. Robbins, III**, 2802 E. Avalon Ave., Muscle Shoals, Ala. 35661

(List continued on next page.)

[**] Term: **14 Years**

FOREIGN PATENT DOCUMENTS

[21] Appl. No.: **32,103**

20837 9/1929 Netherlands .

[22] Filed: **Dec. 6, 1994**

Primary Examiner—Alan P. Douglas
Assistant Examiner—Robert M. Spear
Attorney, Agent, or Firm—Nixon & Vanderhye

Related U.S. Application Data

[63] Continuation of Ser. No. 117,677, Sep. 8, 1993, abandoned.

[52] **U.S. Cl.** **D9/436**

[58] **Field of Search** D7/589, 590-591, D7/398; D9/434, 435, 436, 440, 449, 450, 455, 499; D10/96, 101; 222/480, 531, 532, 535, 536, 537, 566, 364; 229/125.08, 125.17

[57] **CLAIM**

The ornamental design for a clear plastic measuring/dispensing spout, as shown and described.

DESCRIPTION

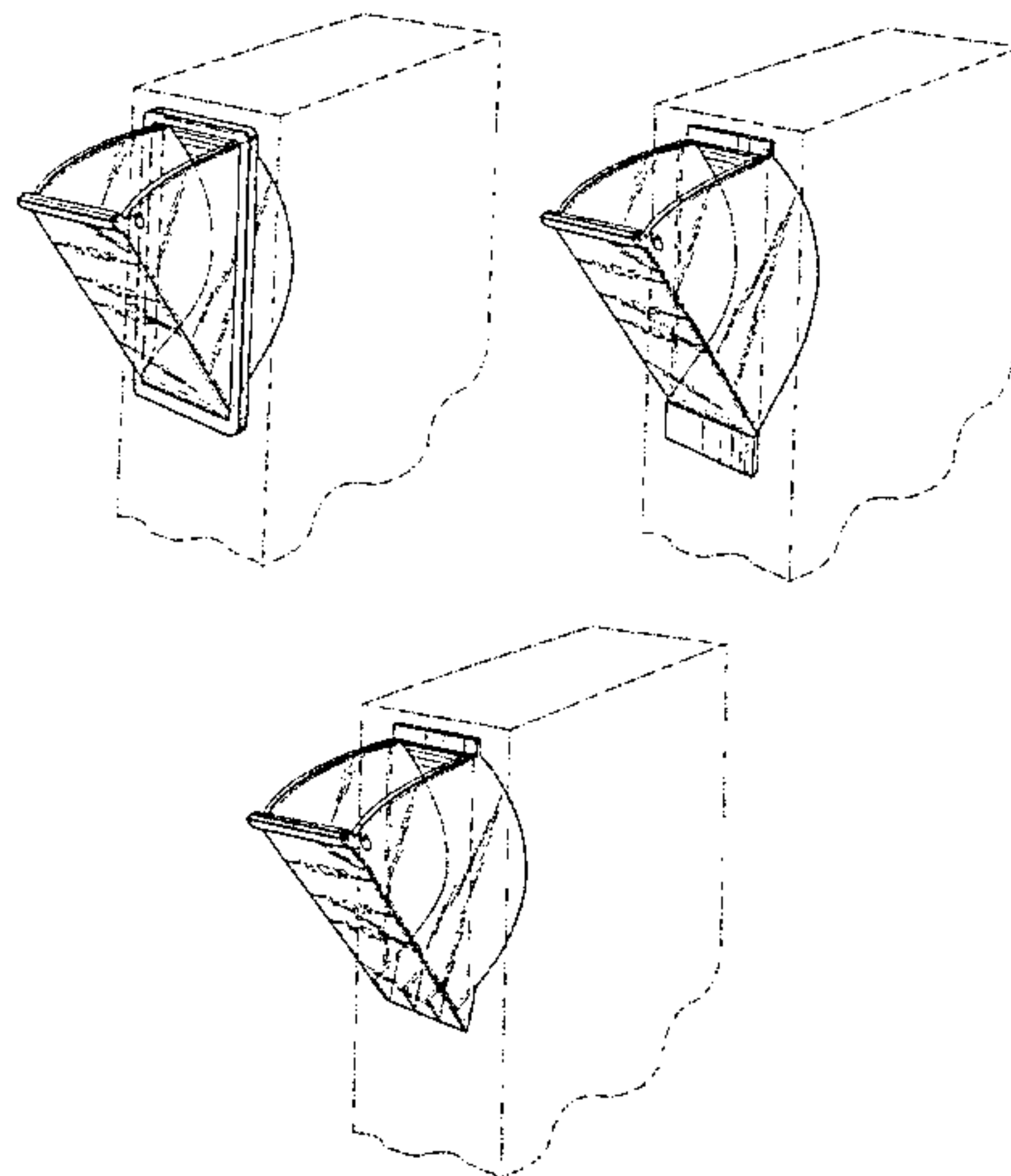
FIG. 1 is a top front perspective view showing in an open position my new measuring/dispensing spout design; FIG. 2 is a right side elevation view of the measuring/dispensing spout in FIG. 1; FIG. 3 is a front elevation view thereof; FIG. 4 is a top plan view thereof; FIG. 5 is a bottom plan view thereof; FIG. 6 is top front perspective view showing in an open position a second embodiment of my new measuring/dispensing spout design; FIG. 7 is a right side elevation view of the measuring/dispensing spout in FIG. 6; FIG. 8 is a front elevation view thereof; FIG. 9 is a top plan view thereof; FIG. 10 is a bottom plan view thereof; FIG. 11 is a top front perspective view showing in an open position a third embodiment of my new measuring/dispensing spout design; FIG. 12 is a right side elevation view of the measuring/dispensing spout shown in FIG. 11; FIG. 13 is a front elevation view thereof; FIG. 14 is a top plan view thereof; and, FIG. 15 is a bottom plan view thereof. The broken line showing of a portion of a box-like container in FIGS. 1, 6 and 11 is for illustrative purposes only and forms no part of the claimed design.

[56] **References Cited**

U.S. PATENT DOCUMENTS

- 917,649 4/1909 Otto .
- 924,533 6/1909 Compton et al. .
- 928,022 7/1909 Boland et al. .
- 1,268,901 6/1918 Weil .
- 1,273,012 7/1918 Souther .
- 1,411,000 3/1922 Condon .
- 1,619,315 3/1927 Ricketts .
- 1,710,119 4/1929 Smith .
- 1,714,368 5/1929 Hobson .
- 1,752,527 4/1930 Howard .
- 1,802,284 4/1931 Stoddard .
- 1,965,233 7/1934 Guyer .
- 1,967,448 7/1934 Olson .
- 2,069,281 2/1937 Sebreny .
- 2,102,877 12/1937 Barnett .
- 2,205,129 6/1940 Barnett .
- 2,214,437 9/1940 Punte et al. .
- 2,311,255 2/1943 Read .
- 2,370,820 3/1945 Stott .
- 2,449,285 9/1948 Ekstrom .
- 2,610,770 9/1952 Penfield .
- 2,613,856 10/1952 Ely .
- 2,672,261 3/1954 Des Rosiers 222/531
- 2,781,156 2/1957 Wallo .
- 2,784,884 3/1957 Borie, Jr. .

1 Claim, 6 Drawing Sheets



U.S. PATENT DOCUMENTS					
			4,254,889	3/1981	Jacobs D9/440 X
			4,261,483	4/1981	Dutcher .
			4,292,846	10/1981	Barnett .
			4,346,823	8/1982	Eppenbach .
			4,376,497	3/1983	Mumford .
			4,399,928	8/1983	Klingler .
			4,491,252	1/1985	Schmidt et al. D9/449 X
			4,544,063	10/1985	Neward .
			4,580,687	4/1986	Lewis .
			4,606,481	8/1986	Conti et al. .
			4,610,371	9/1986	Karkiewicz .
			4,613,057	9/1986	Sacchetti et al. .
			4,635,828	1/1987	Kaufman .
			4,643,881	2/1987	Alexander et al. .
			4,691,821	9/1987	Hofmann .
			4,693,399	9/1987	Hickman et al. .
			4,714,181	12/1987	Kozlowski et al. .
			4,802,597	2/1989	Dubach .
			4,898,292	2/1990	VerWeyst et al. .
			4,930,688	6/1990	Arona-Delonghi .
			4,936,494	6/1990	Weidman .
			4,955,513	9/1990	Bennett .
			4,961,521	10/1990	Eckman .
			5,002,208	3/1991	Towery .
			5,012,959	5/1991	Gordon .
			5,064,106	11/1991	Butler et al. .
			5,085,331	2/1992	Groya et al. .
			5,139,181	8/1992	VerWeyst .
2,840,124	6/1958	Greene .			
2,844,266	7/1958	Hofe .			
2,898,004	8/1959	Klausmann .			
2,943,769	7/1960	Klausmann et al. .			
3,020,659	2/1962	Paulini .			
3,033,420	5/1962	Thomas et al. .			
3,057,524	10/1962	Shanks .			
3,140,799	7/1964	Mehr .			
3,144,180	8/1964	Phillips et al. .			
3,168,223	2/1965	Capers .			
3,187,961	6/1965	Moore .			
3,191,818	6/1965	Farquhar et al. D7/590 X			
3,209,961	10/1965	Wasell .			
3,217,940	11/1965	Fahn et al. .			
3,237,835	3/1966	Sternau .			
3,353,725	11/1967	Caceres .			
3,409,188	11/1968	Wright D9/450 X			
3,424,355	1/1969	Blumen .			
3,486,665	12/1969	La Croce .			
3,511,416	5/1970	Michie .			
3,831,833	8/1974	Dressler et al. .			
3,860,111	1/1975	Thompson .			
3,921,862	11/1975	Holmstrom .			
3,948,105	4/1976	Johnson, Jr. .			
4,069,935	1/1978	Hampel .			
4,083,467	4/1978	Mullins et al. .			
4,111,351	9/1978	Mackiernan .			
4,164,301	8/1979	Thayer .			

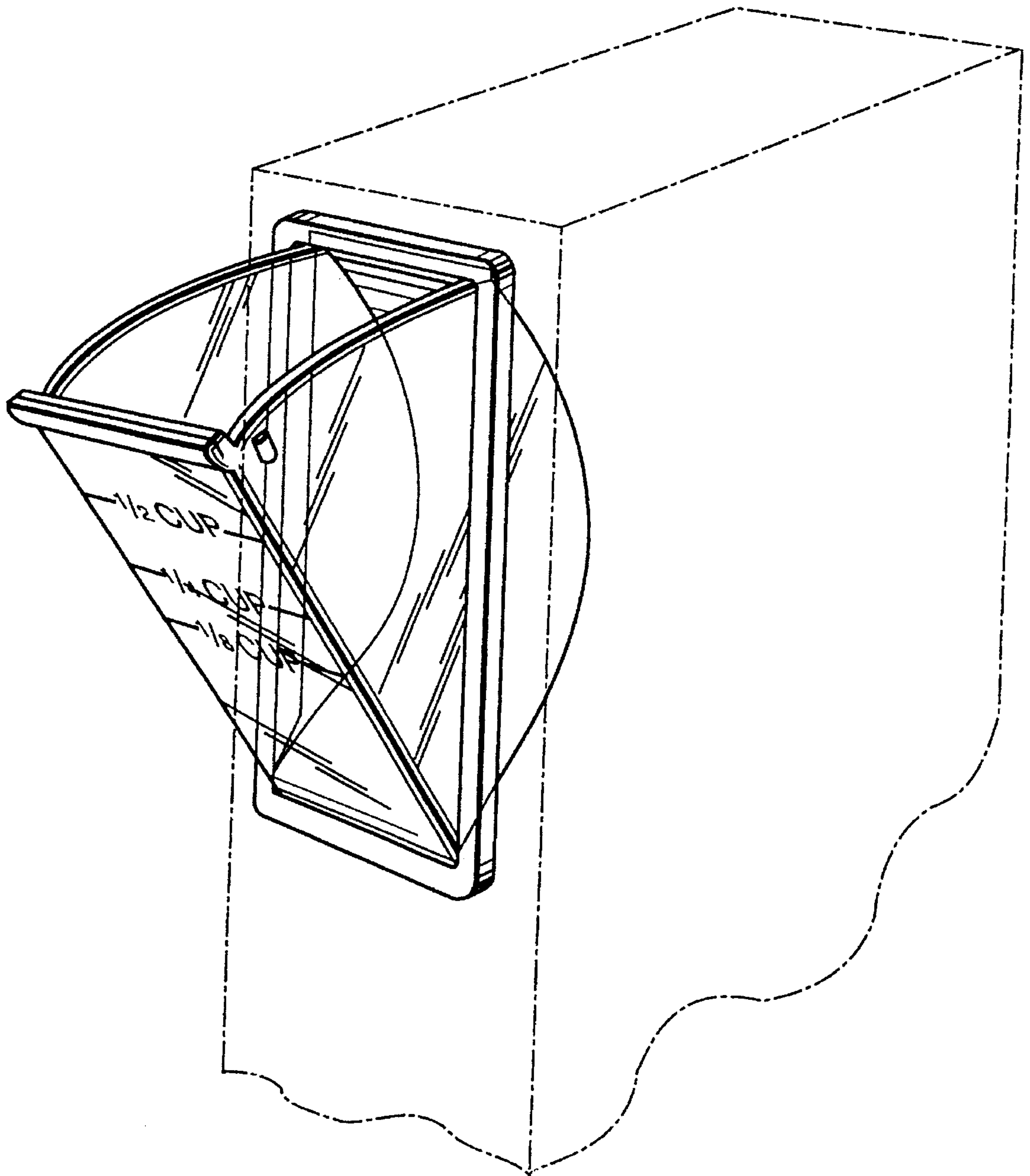


FIG. 1

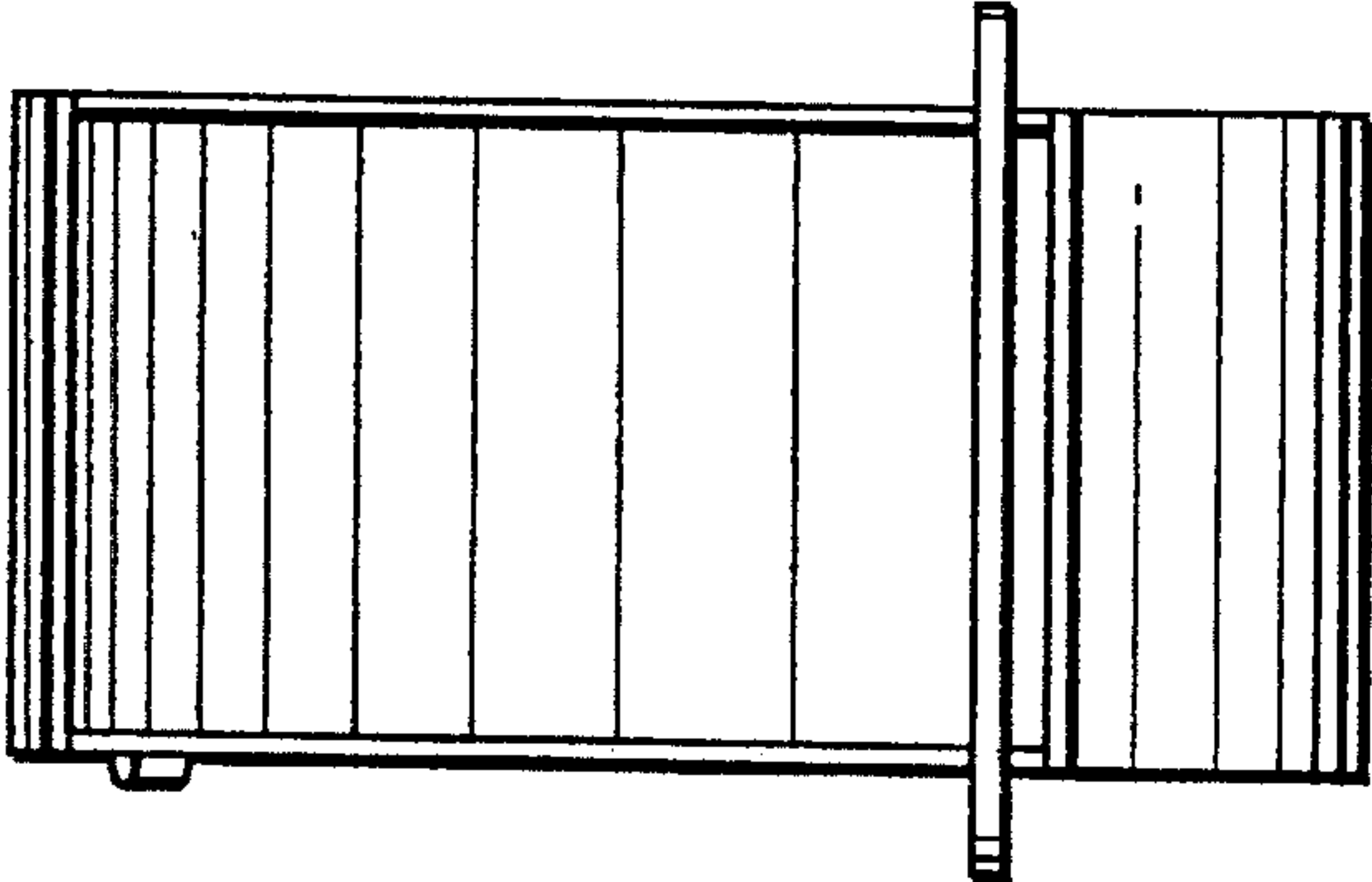


FIG. 4

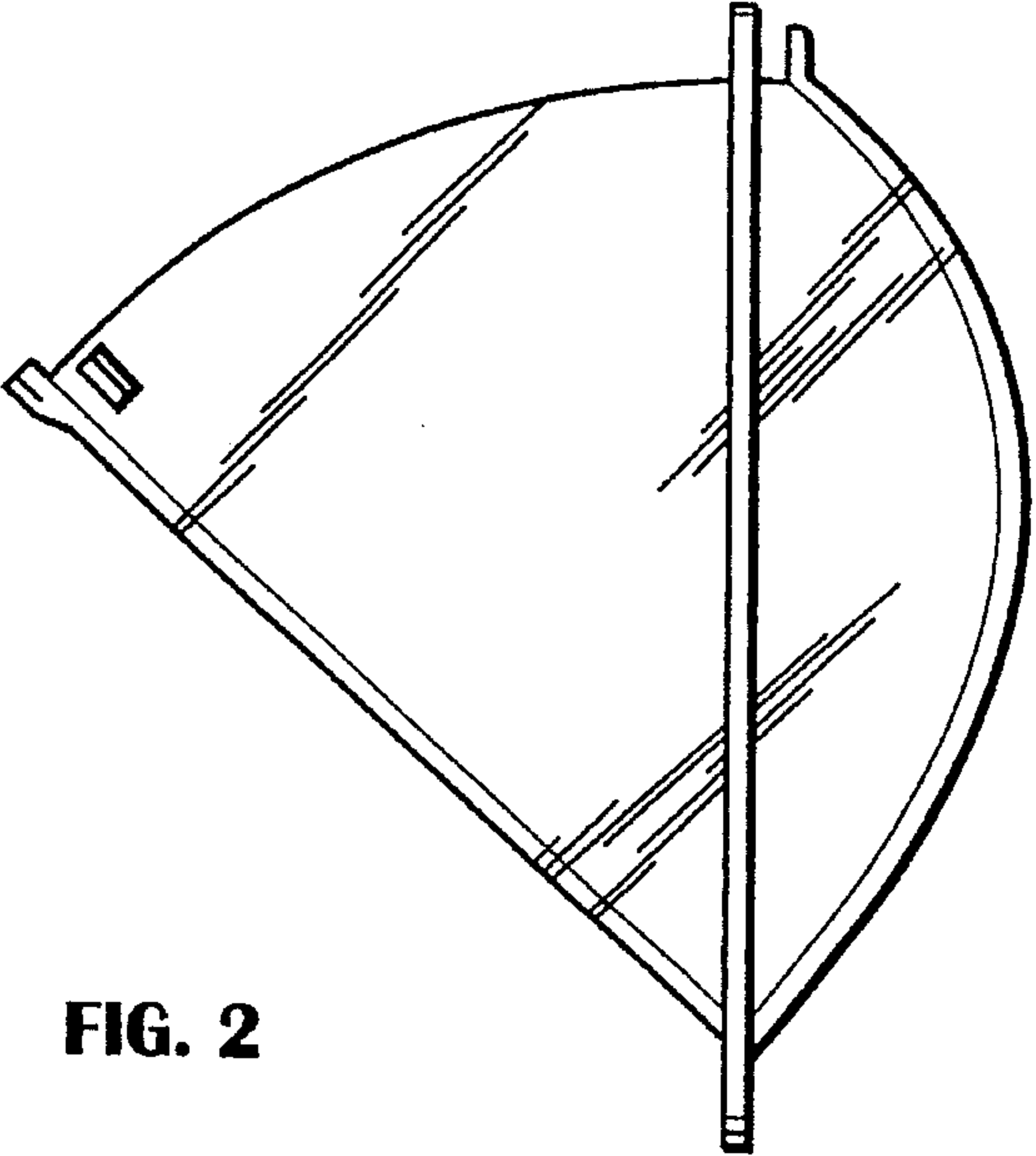


FIG. 2

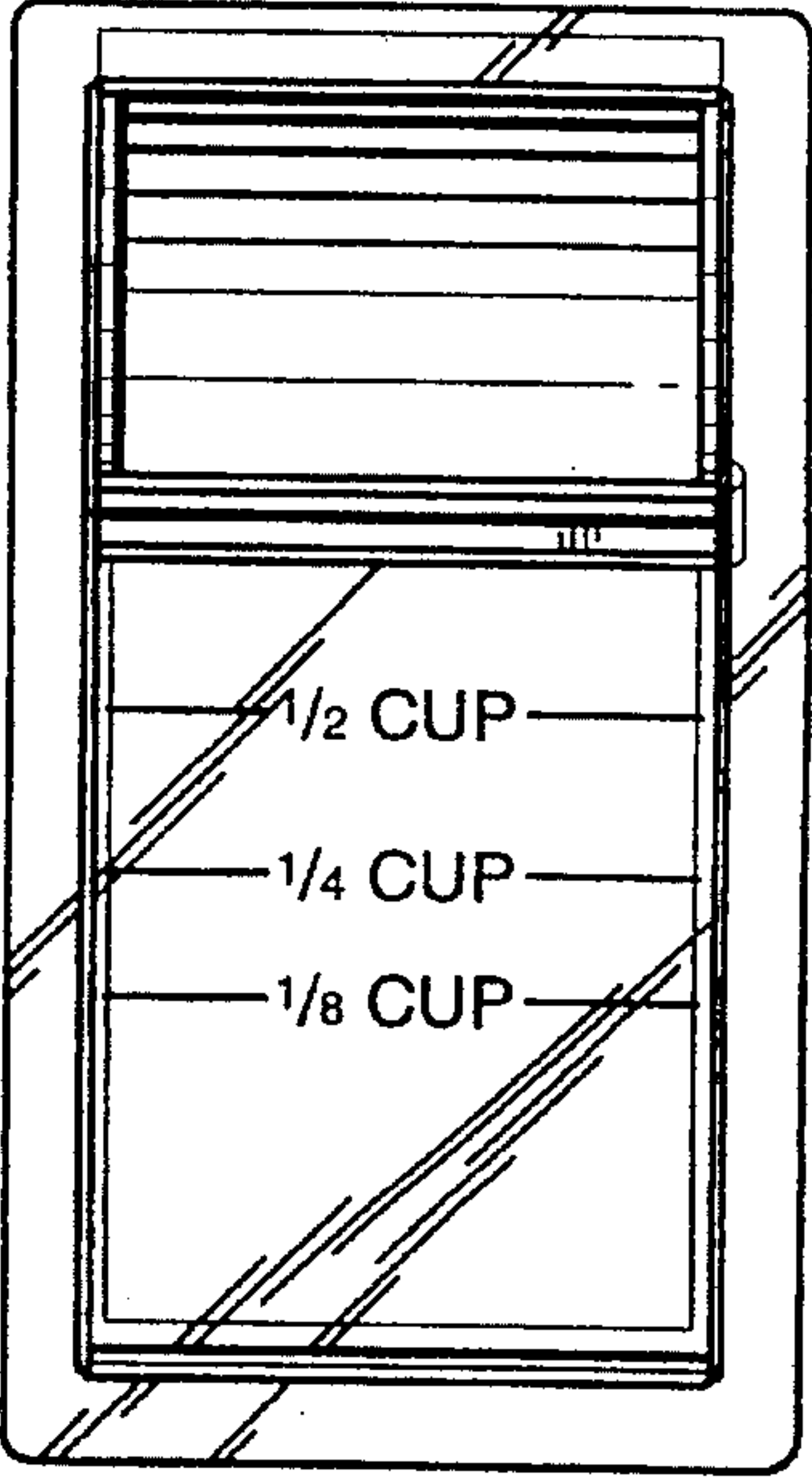


FIG. 3

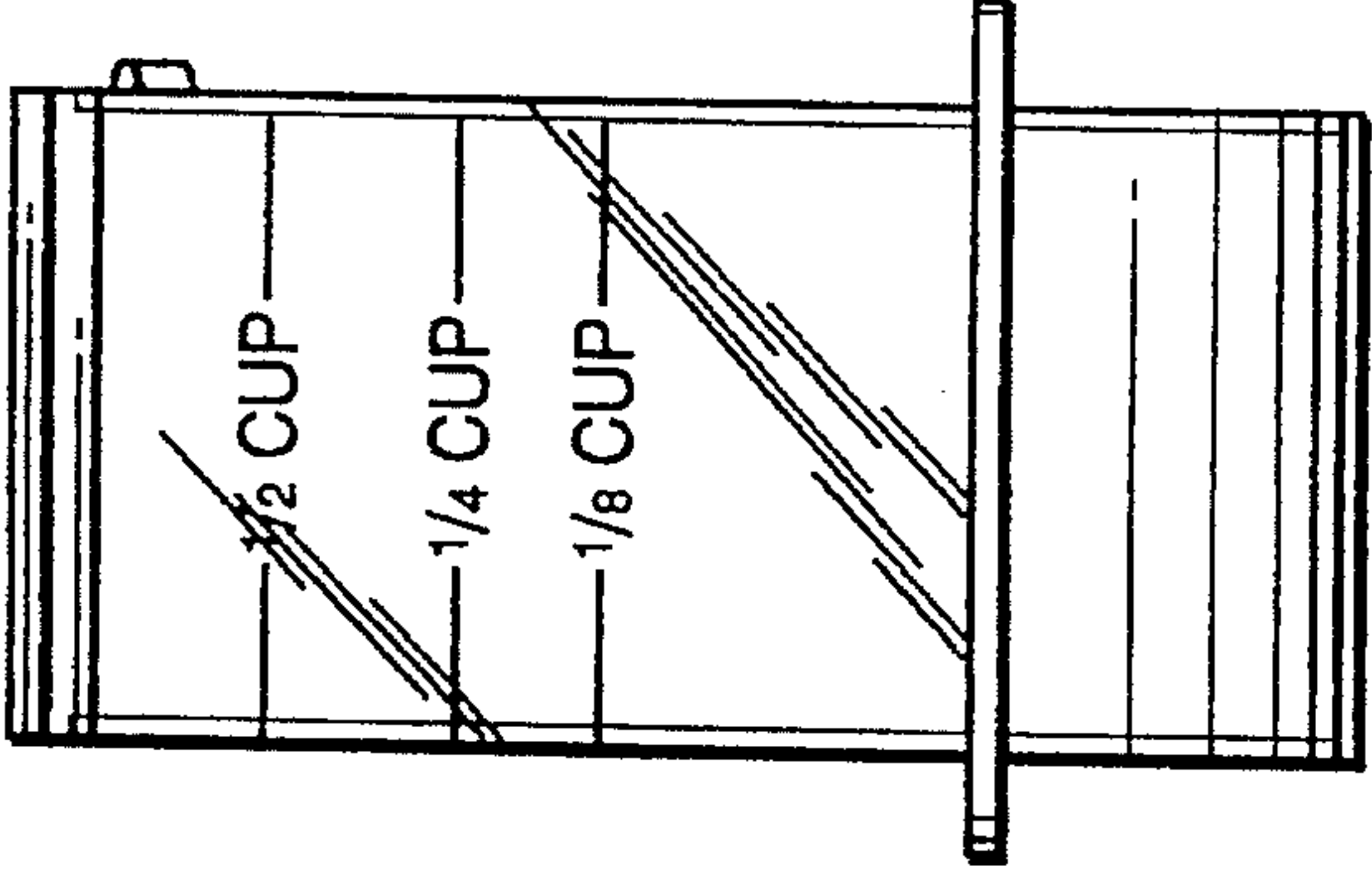


FIG. 5

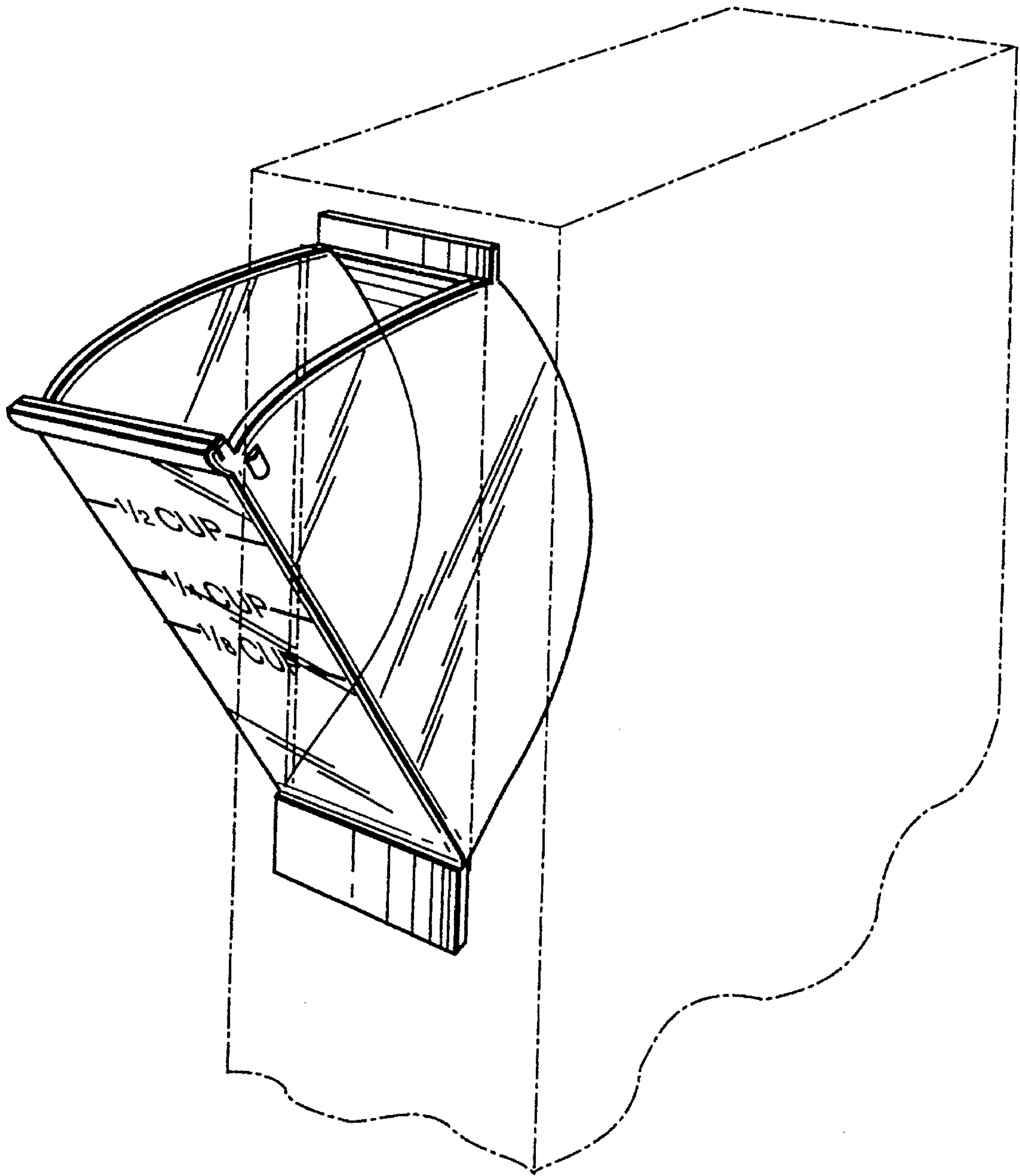


FIG. 6

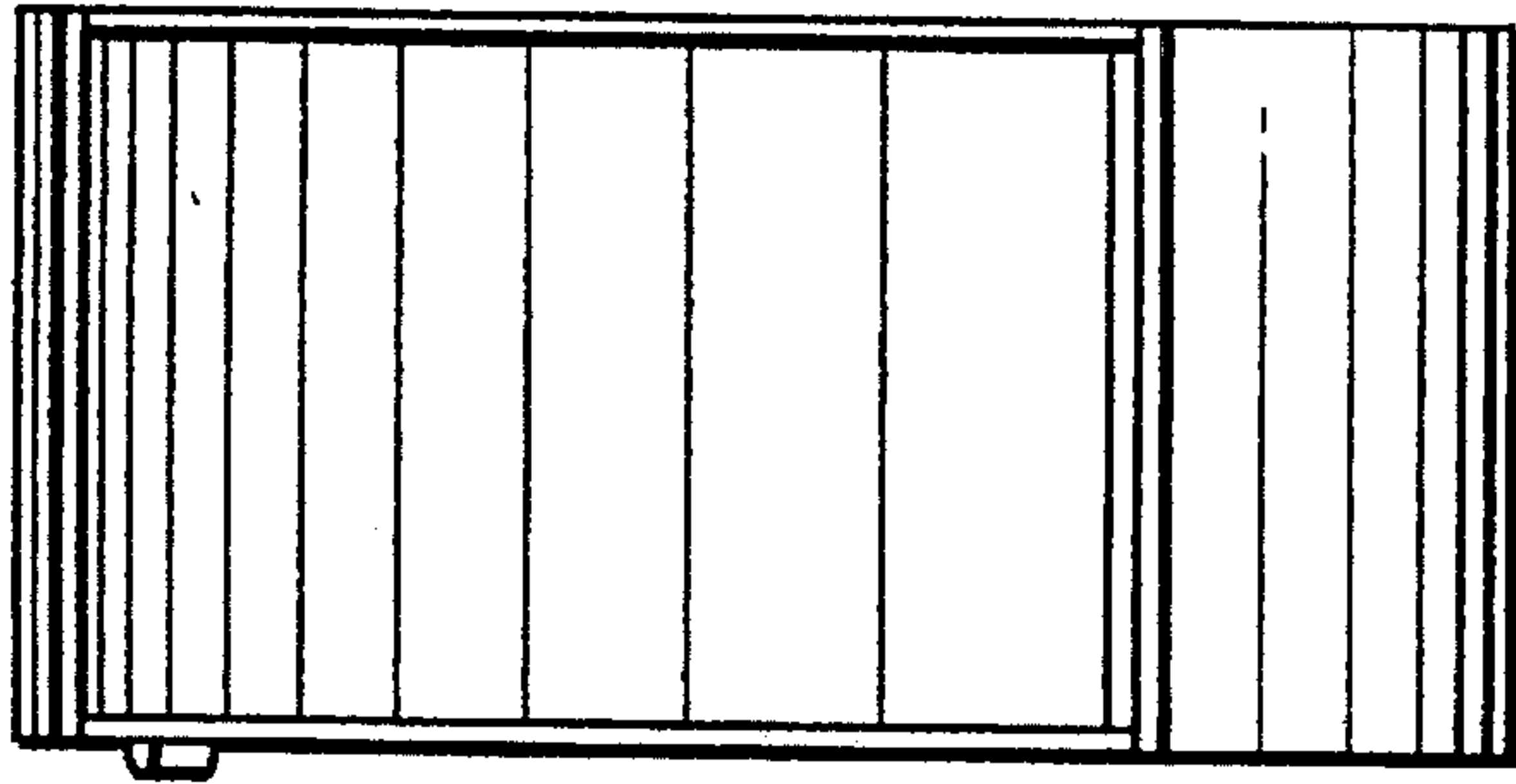


FIG. 9

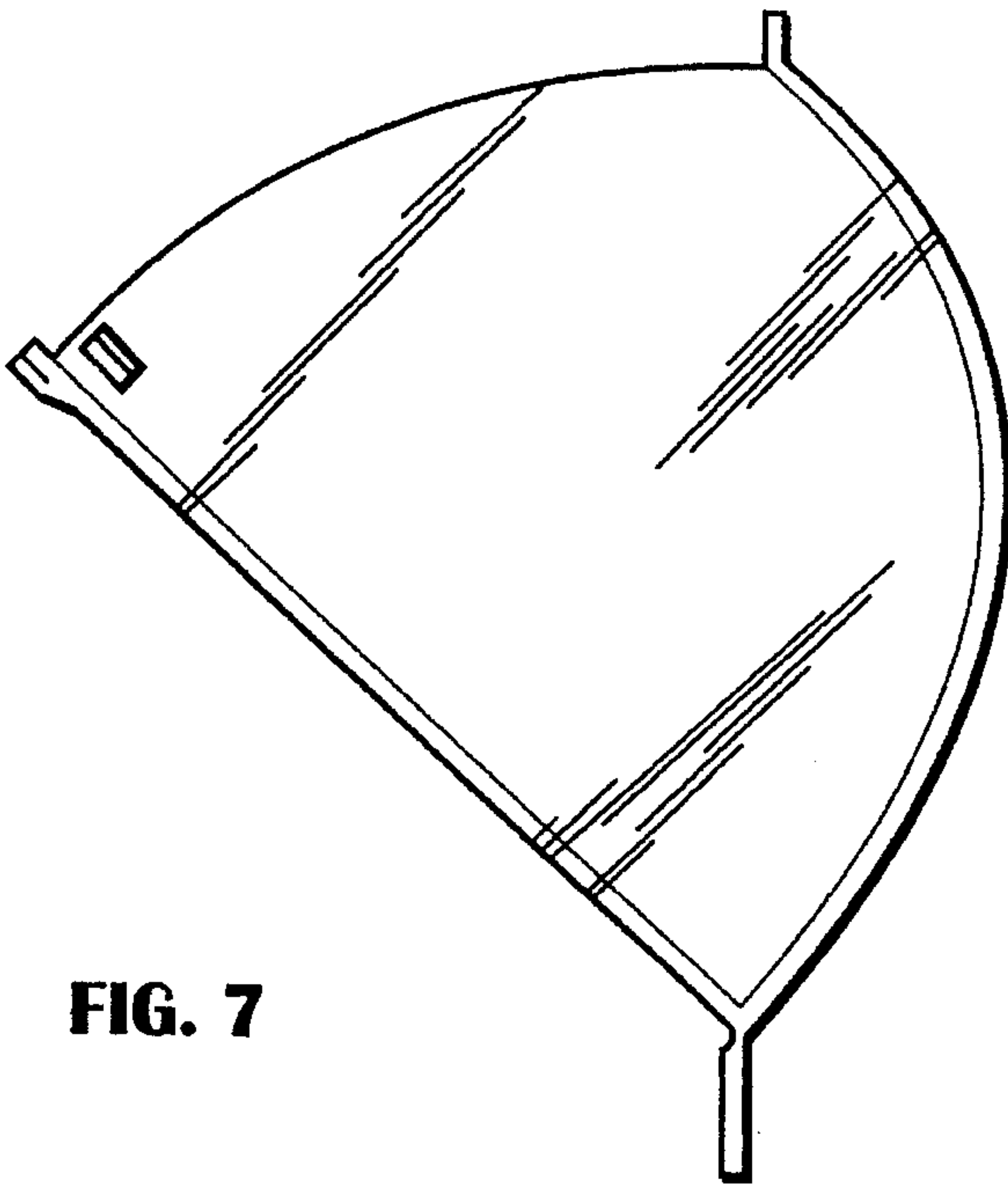


FIG. 7

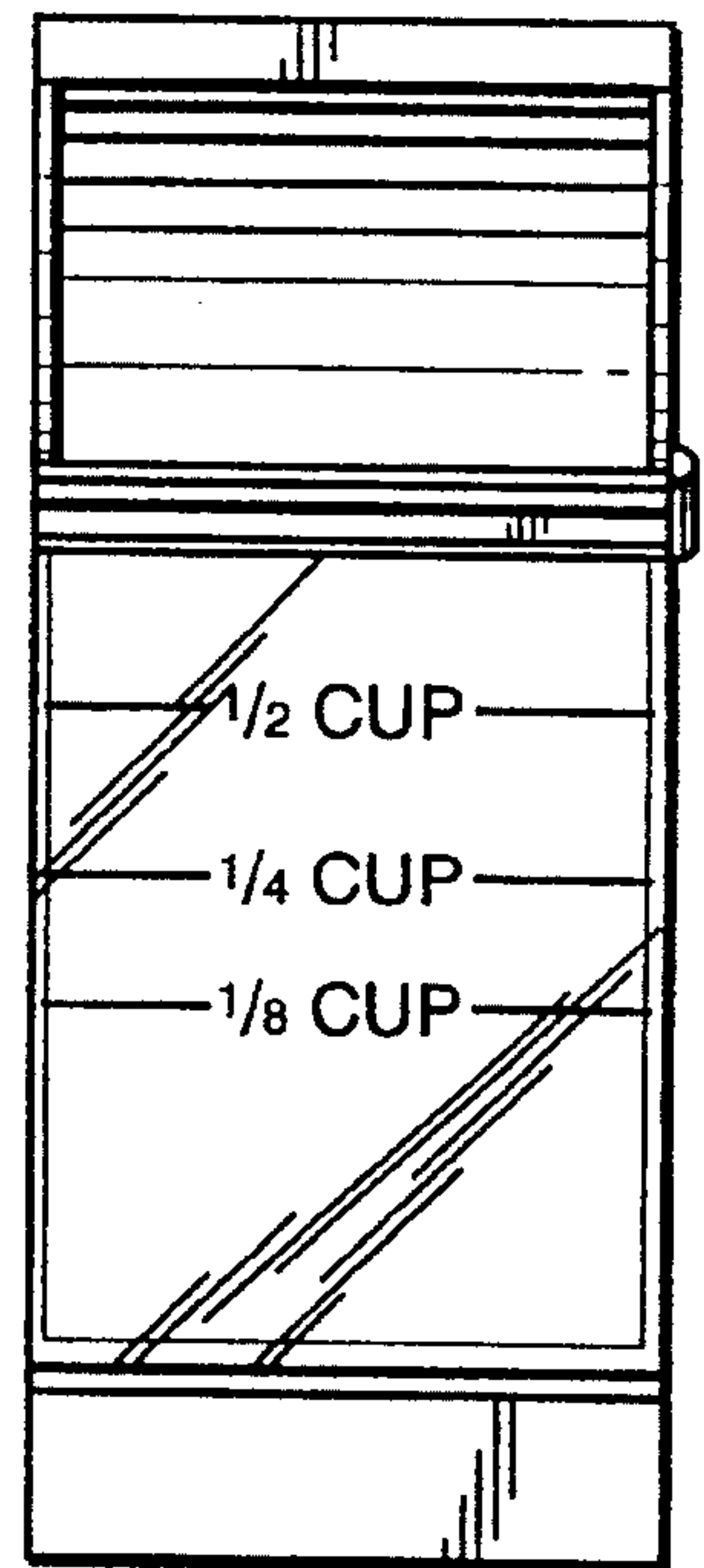


FIG. 8

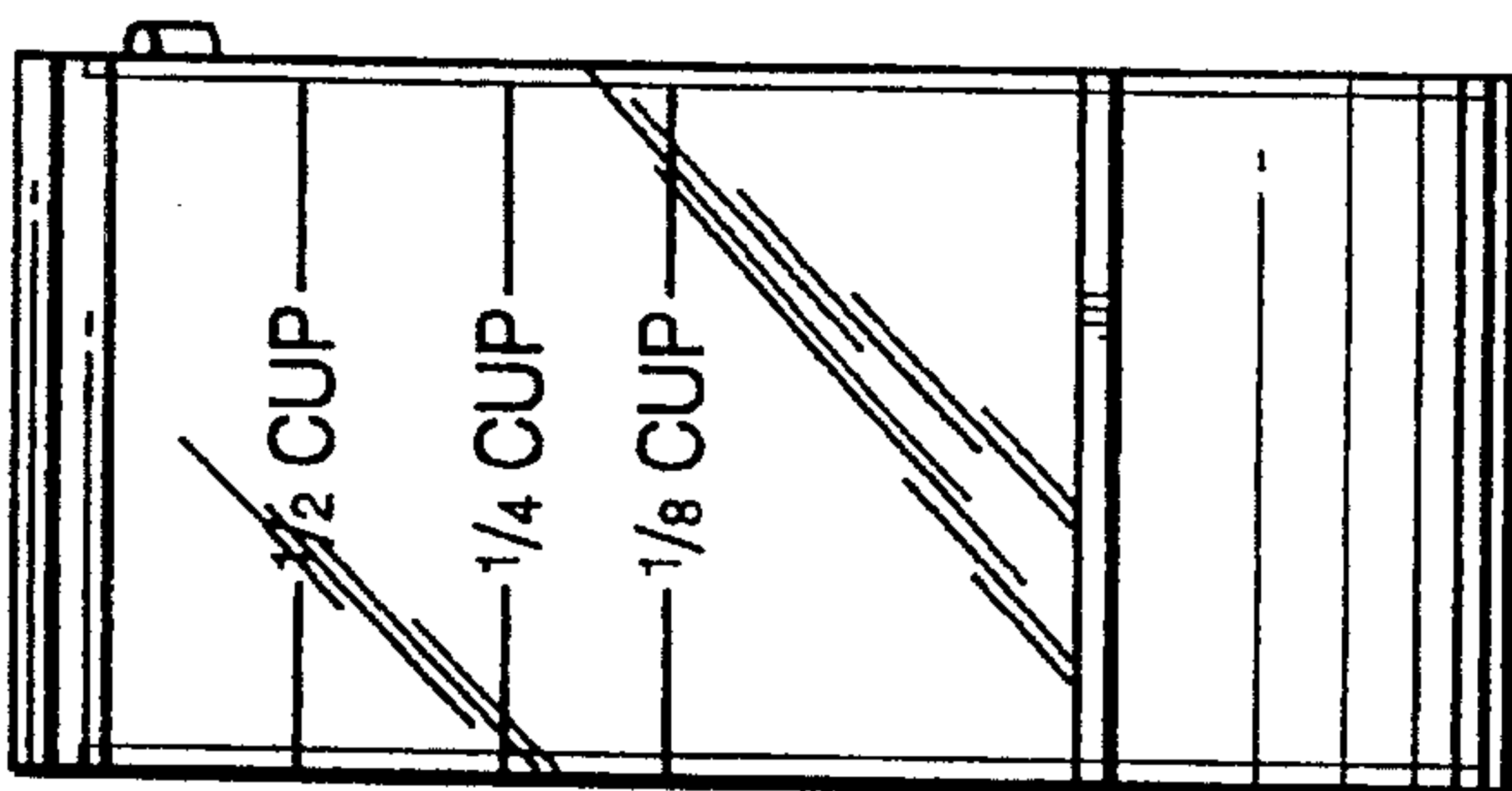


FIG. 10

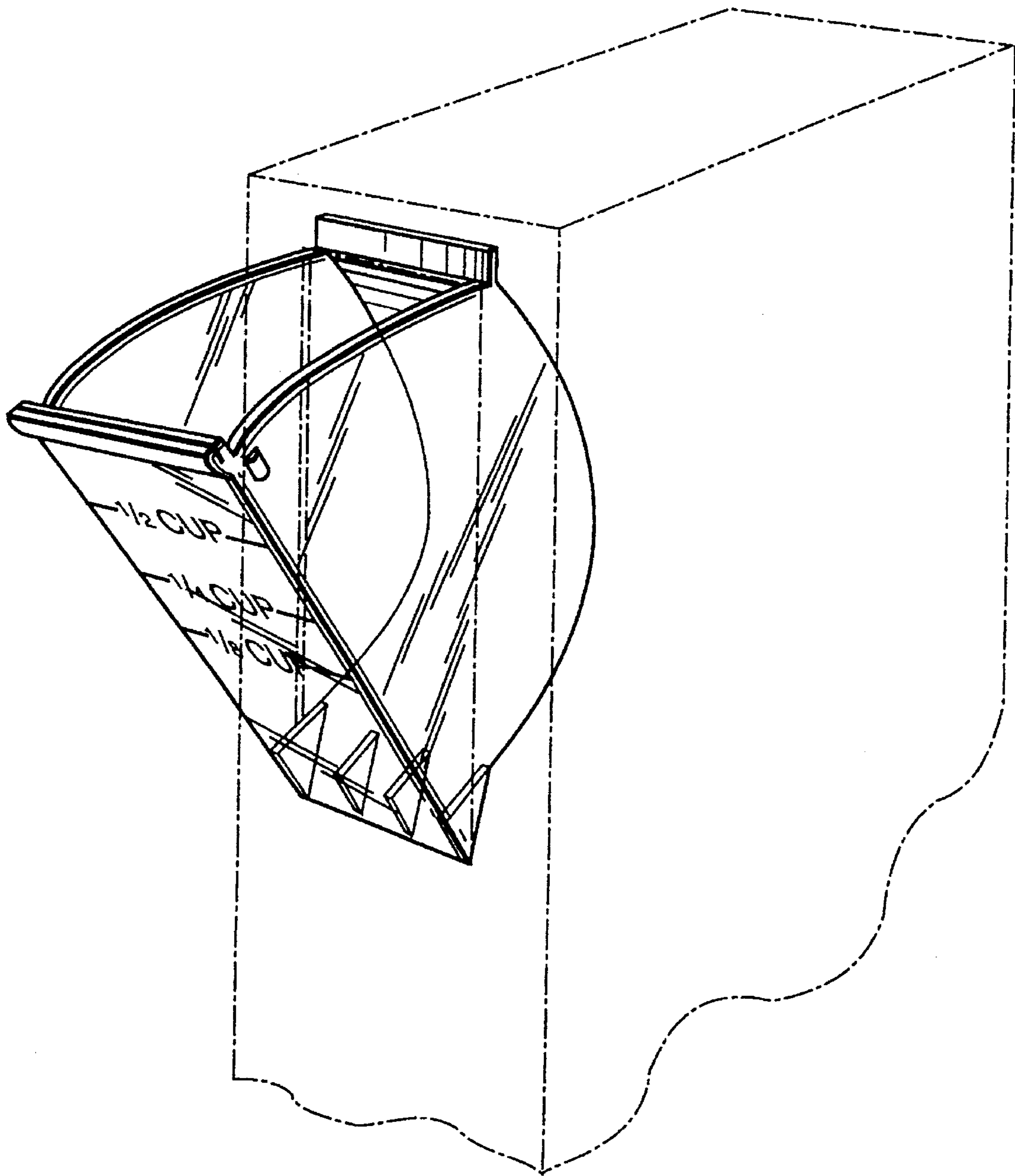


FIG. 11

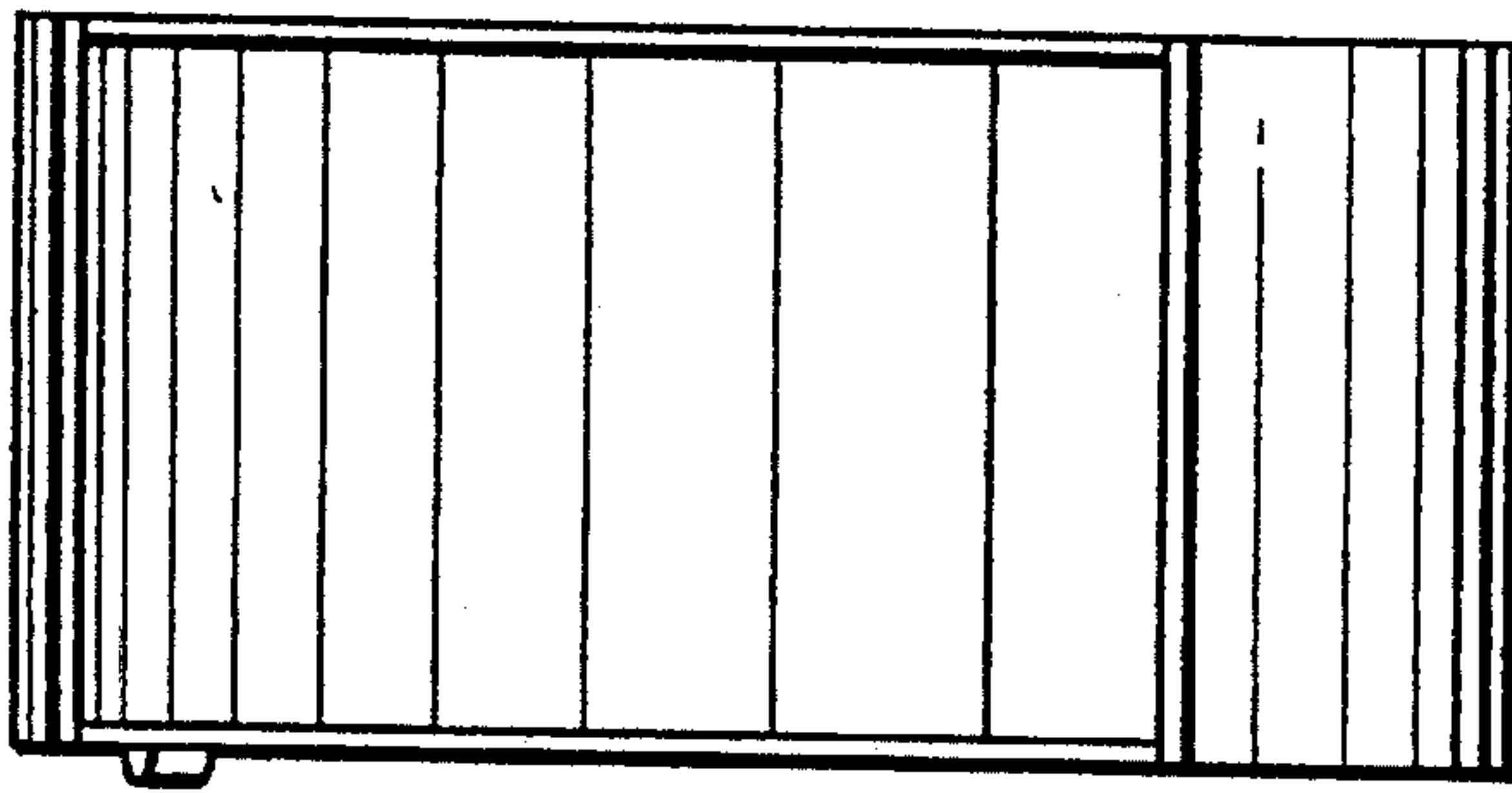


FIG. 14

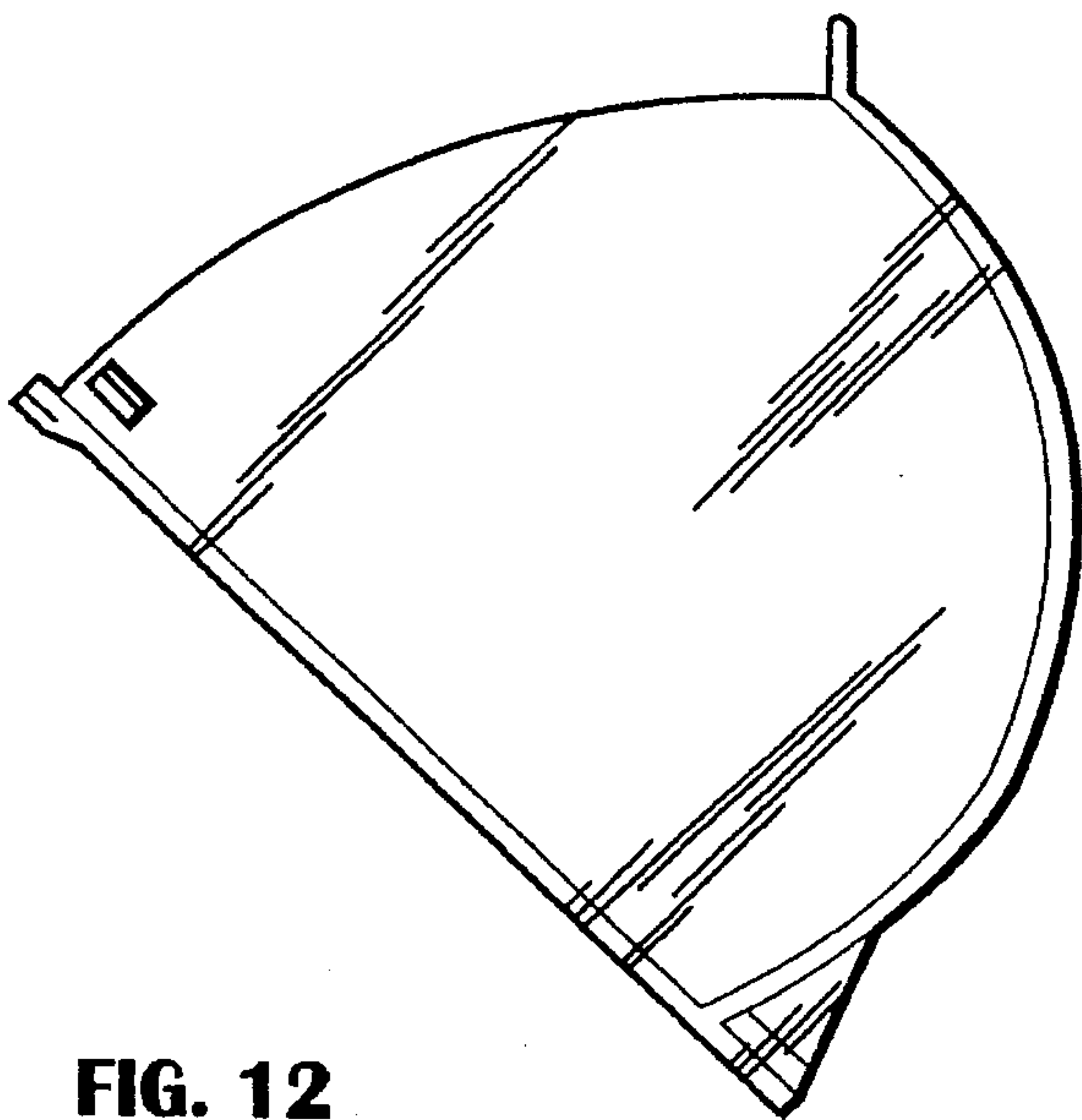


FIG. 12

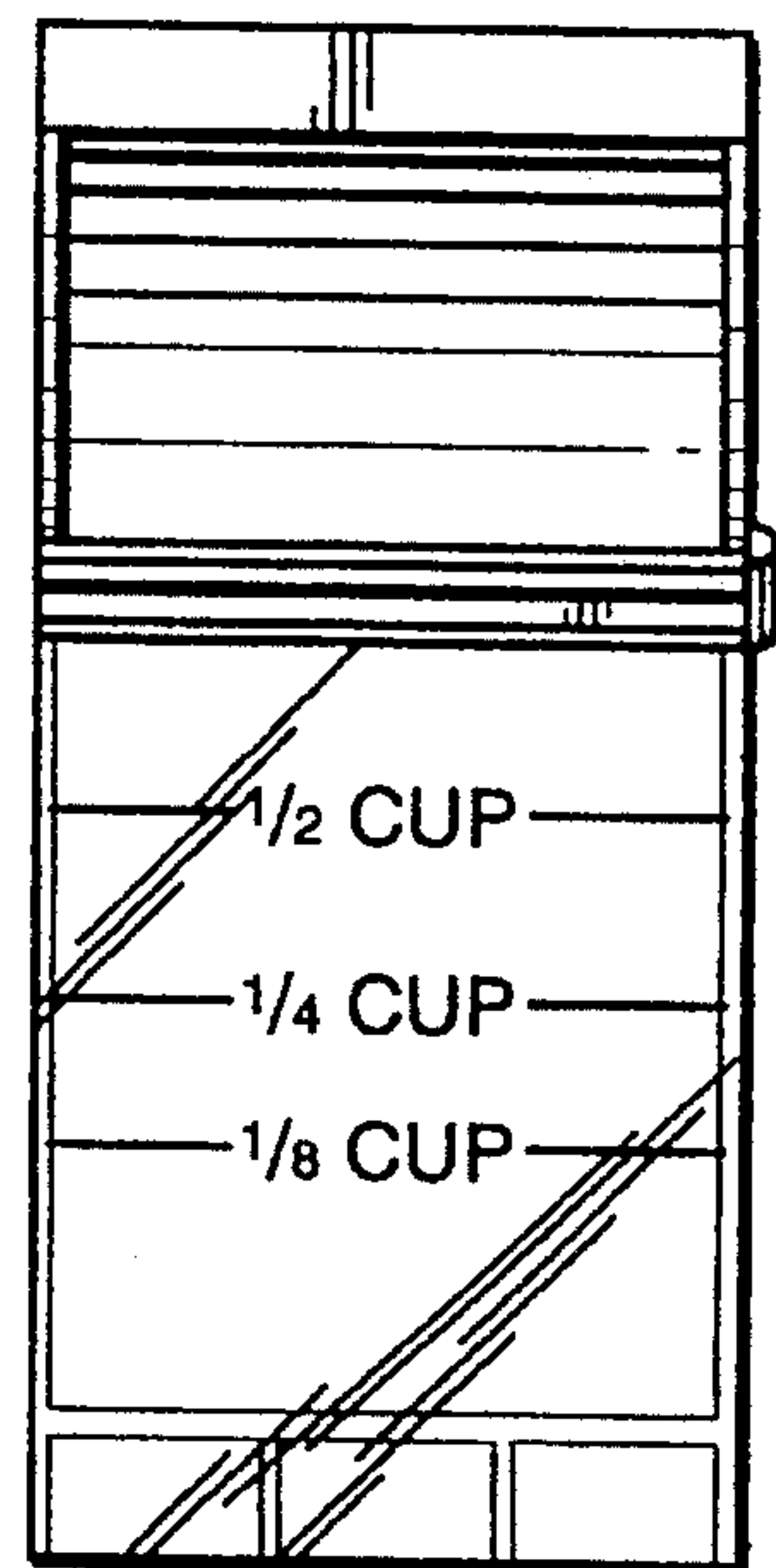


FIG. 13

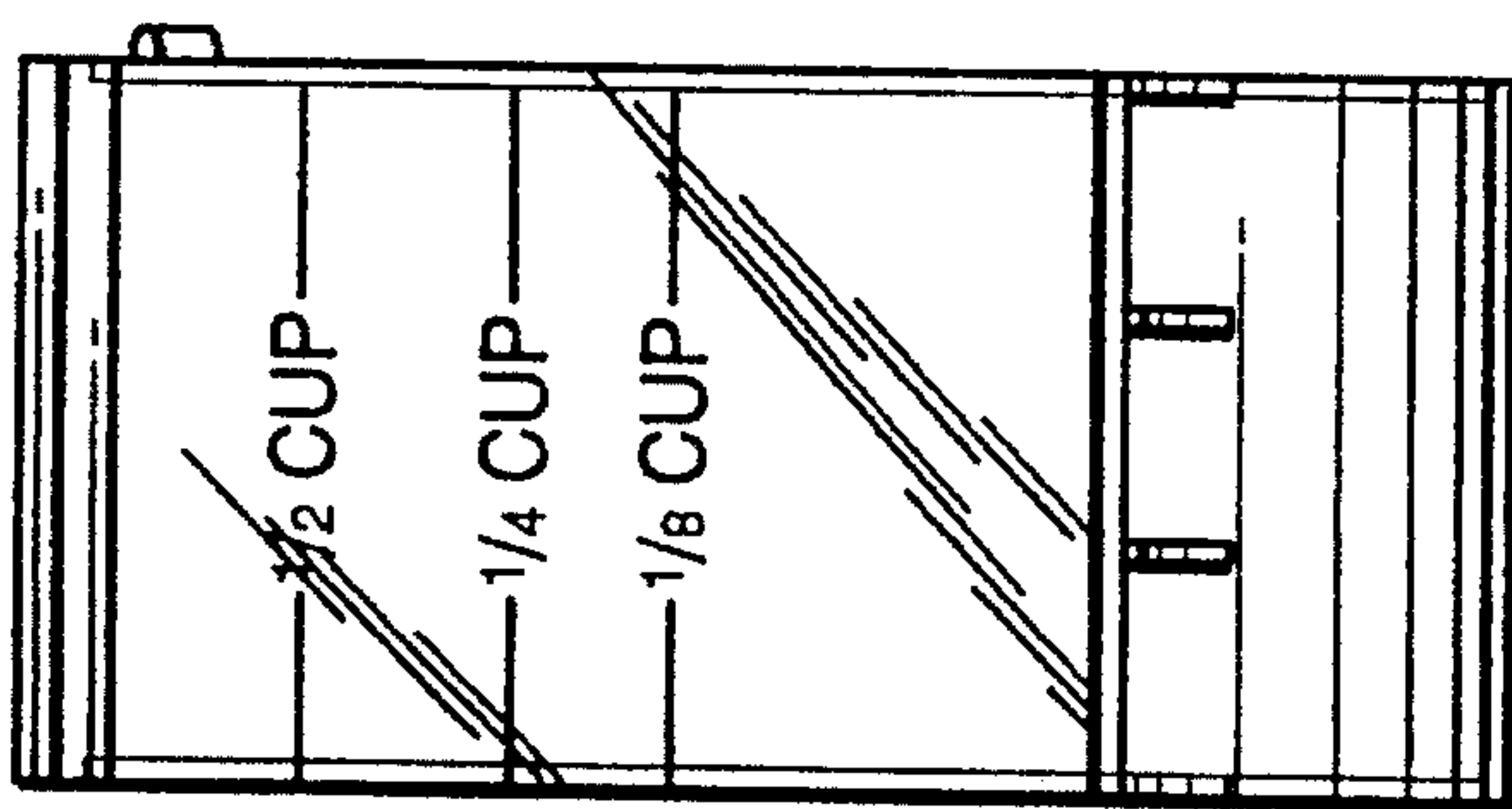


FIG. 15