



US00D371293S

United States Patent [19] Schoenmeyr

[11] Patent Number: **Des. 371,293**

[45] Date of Patent: ****Jul. 2, 1996**

[54] **PUMP MOUNTING BRACKET**

D. 331,186 11/1992 Sachs D8/380

[75] Inventor: **Ivar L. Schoenmeyr**, San Juan Capistrano, Calif.

Primary Examiner—Holly H. Baynham
Attorney, Agent, or Firm—Blakely, Sokoloff, Taylor & Zafman

[73] Assignee: **Aquatec Water Systems, Inc.**, Anaheim, Calif.

[57] CLAIM

[**] Term: **14 Years**

The ornamental design for a pump mounting bracket, as shown.

[21] Appl. No.: **39,117**

DESCRIPTION

[22] Filed: **May 19, 1995**

[52] U.S. Cl. **D8/354**

[58] Field of Search D8/349, 354, 371, D8/381, 394, 395, 396, 366; 248/205.5, 300, 230, 74.1-74.4; D23/206

FIG. 1 is a front right side perspective view of a pump mounting bracket;

FIG. 2 is a top plan view of the pump mounting bracket;

FIG. 3 is a front elevational view of the pump mounting bracket;

FIG. 4 is a rear elevational view of the pump mounting bracket;

FIG. 5 is a bottom plan view of the pump mounting bracket; and,

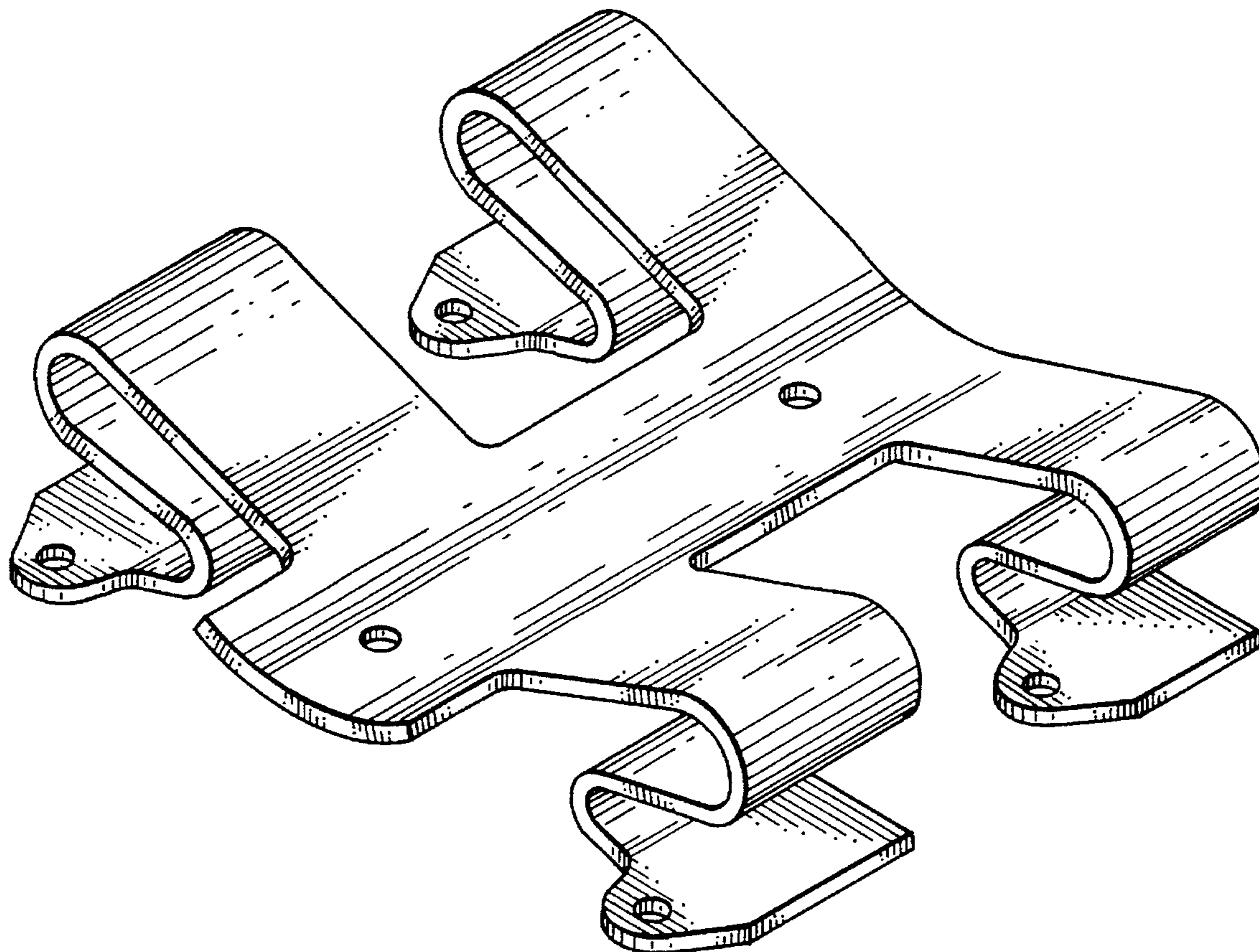
FIG. 6 is a left side elevational view of the pump mounting bracket.

[56] References Cited

U.S. PATENT DOCUMENTS

D. 50,607	4/1917	Carter	D8/395
D. 157,092	1/1950	Shield	D8/381
D. 207,504	4/1967	Hedberg	D8/354
D. 272,802	2/1984	Dall-Winther	D8/396

1 Claim, 2 Drawing Sheets



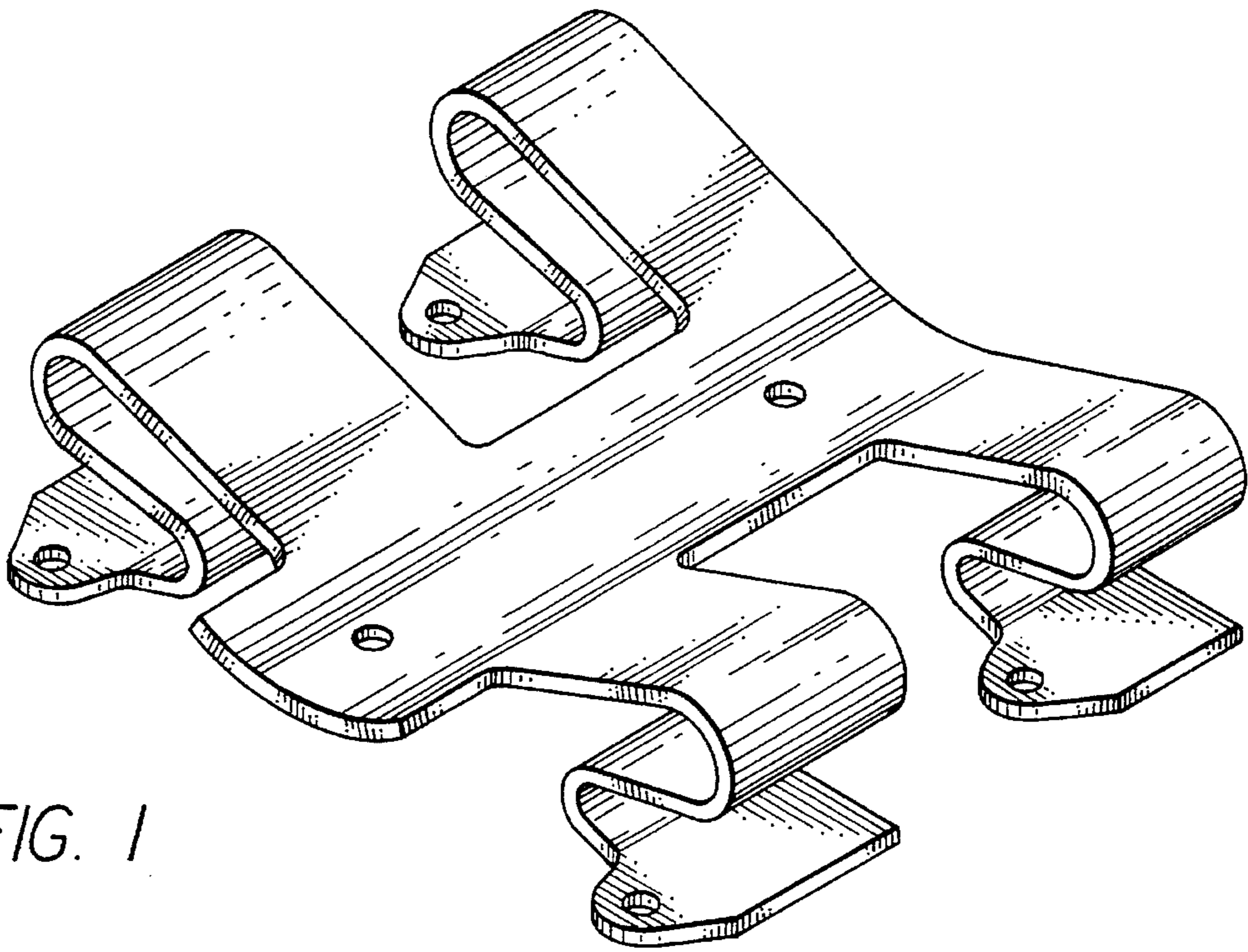


FIG. 1

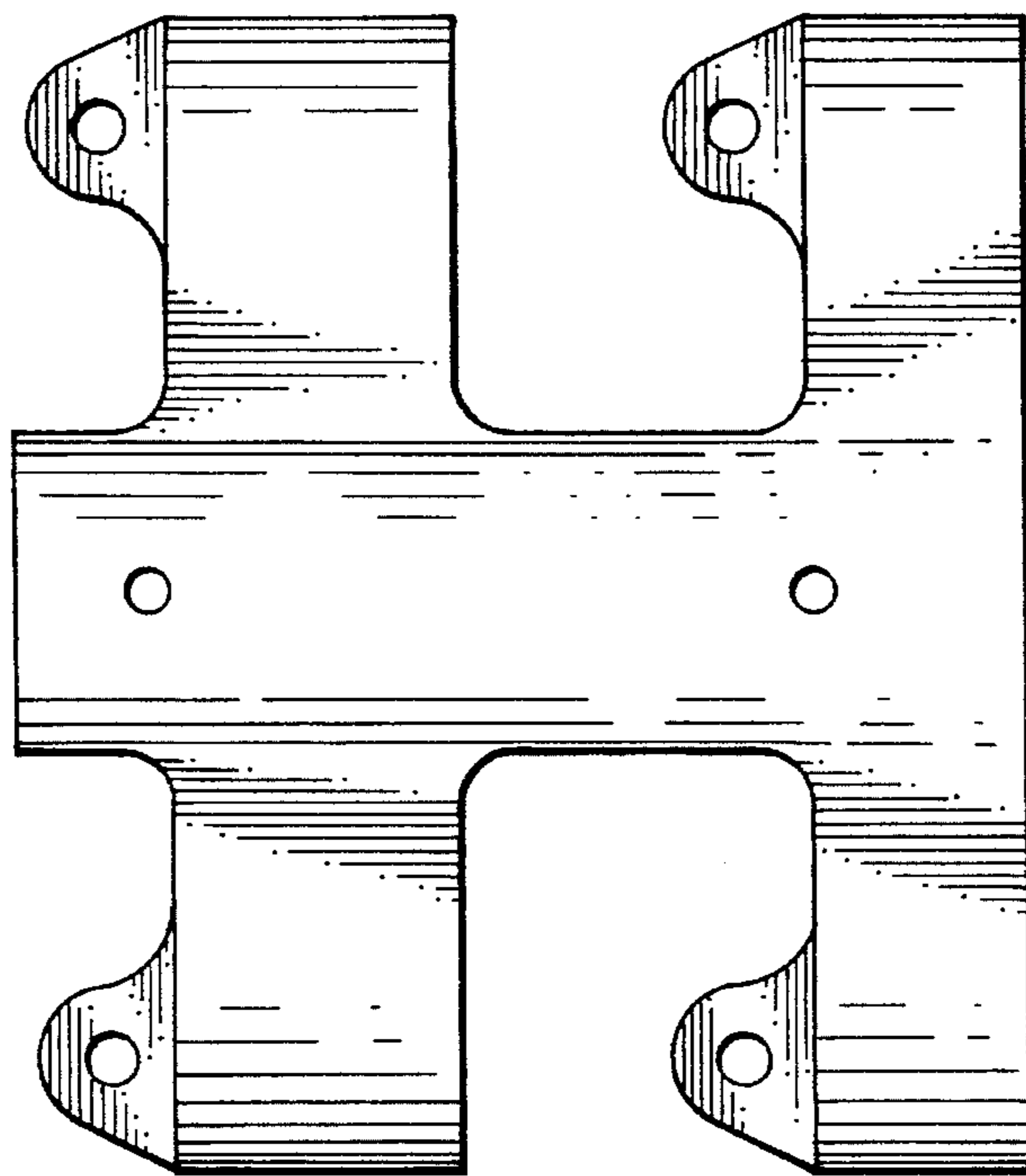


FIG. 2

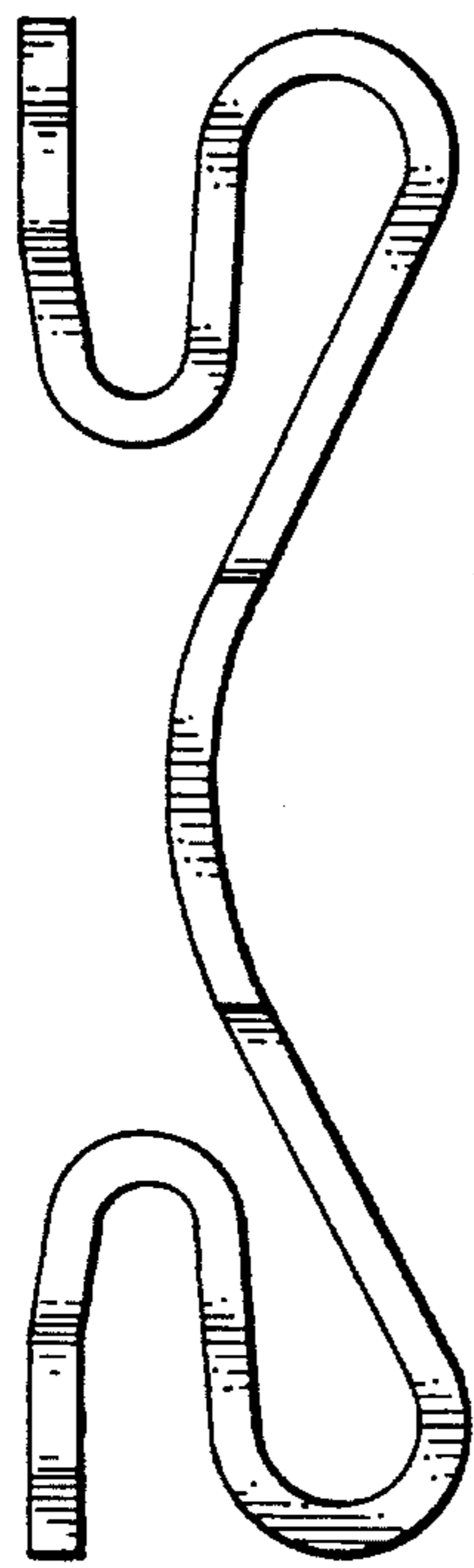


FIG. 3

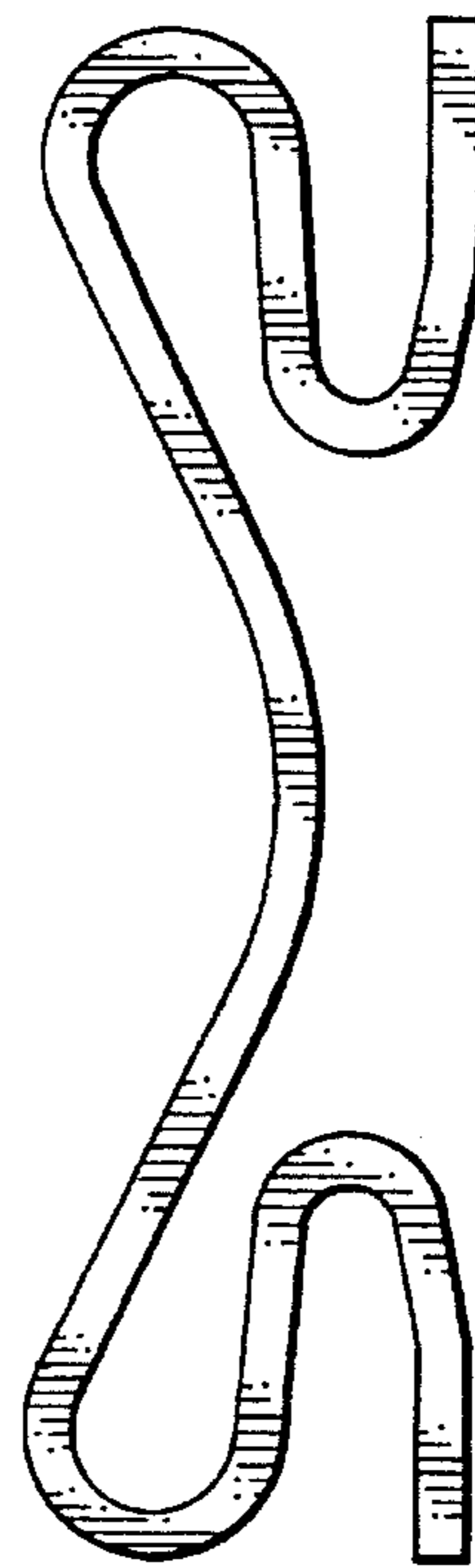


FIG. 4

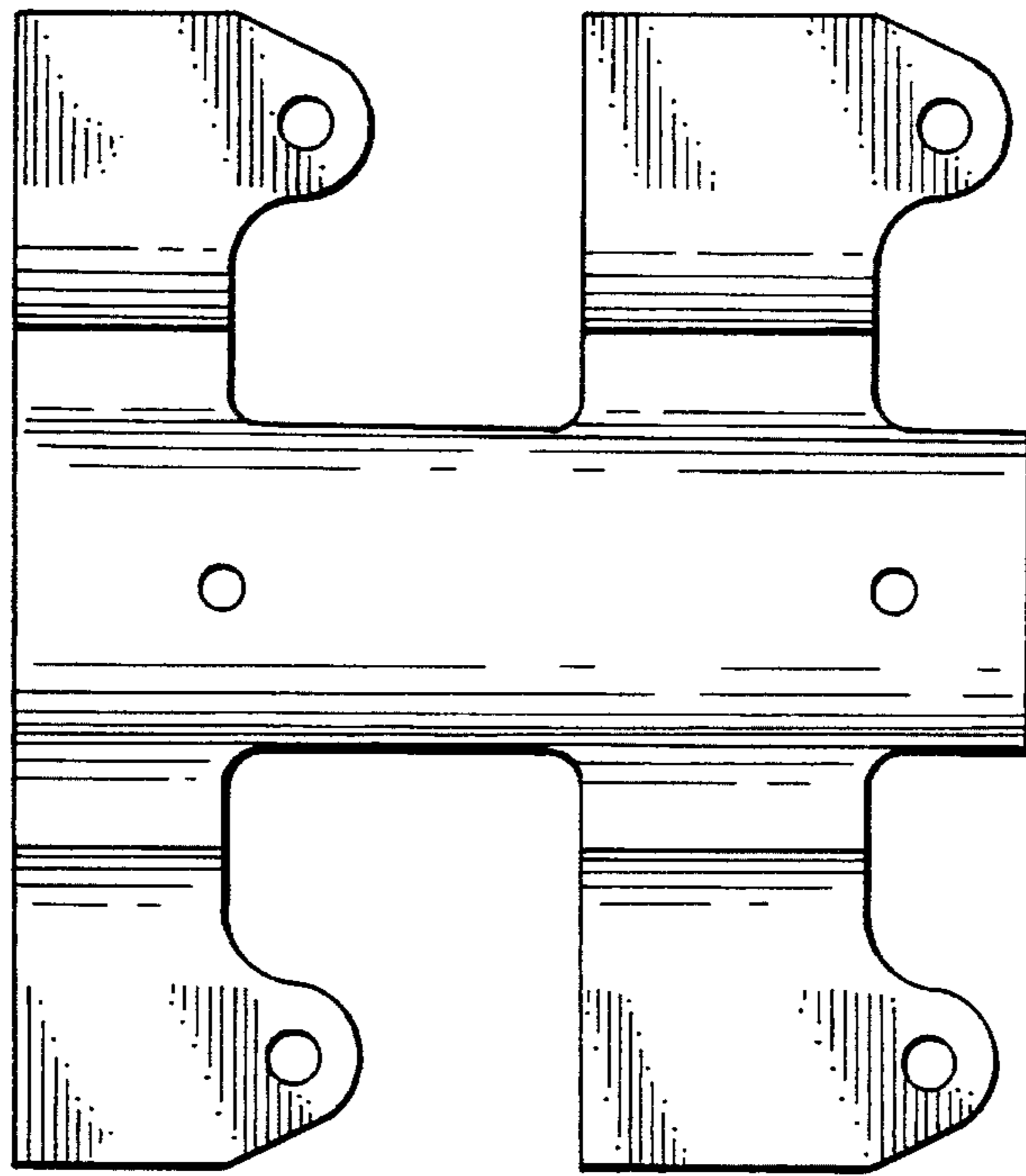


FIG. 5

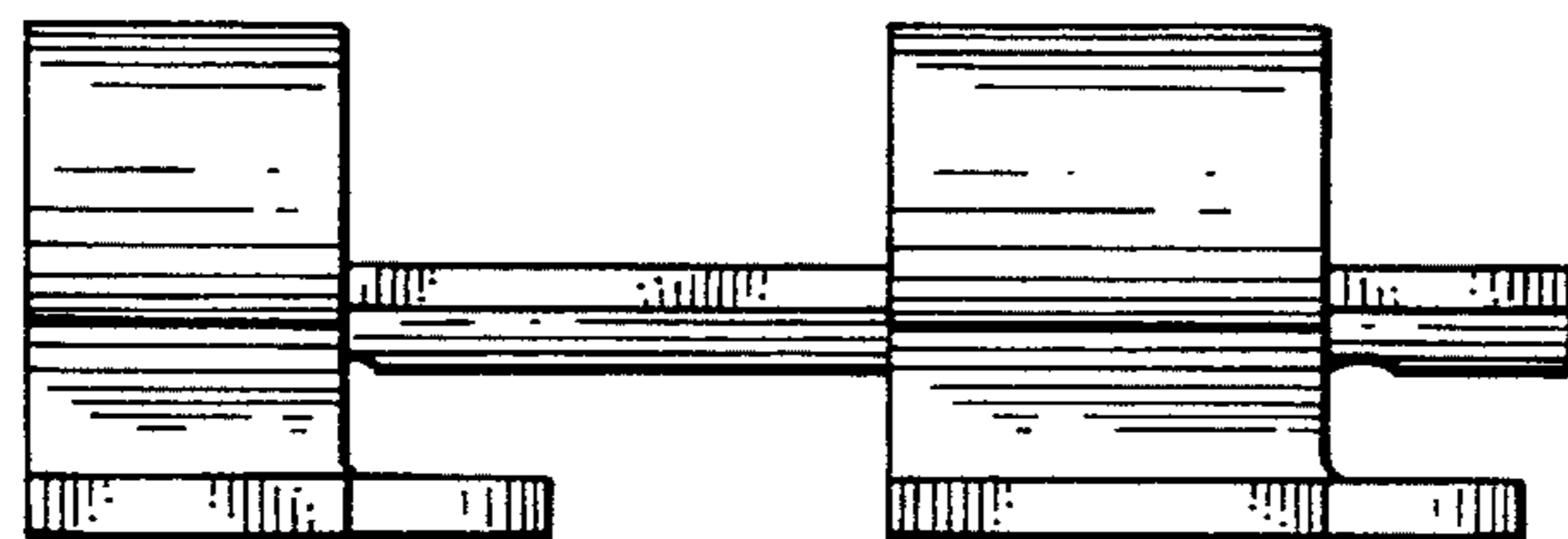


FIG. 6