



US00D371284S

United States Patent [19]

Reinier, Jr. et al.

[11] Patent Number: **Des. 371,284**

[45] Date of Patent: ****Jul. 2, 1996**

[54] HEATED ICE CREAM SCOOP

3,513,290	5/1970	Burley et al.	219/242
3,992,604	11/1976	Leddy	219/227
5,000,672	3/1991	Halimi	425/279

[76] Inventors: **Vernon L. Reinier, Jr.; Linda K. Reinier**, both of 509 E. Adams Ave., Fairfield, Iowa 52556

Primary Examiner—Terry A. Wallace
Attorney, Agent, or Firm—James A. Hudak

[**] Term: **14 Years**

[57] CLAIM

[21] Appl. No.: **40,042**

The ornamental design for a heated ice cream scoop, as shown and described.

[22] Filed: **Jun. 8, 1995**

[52] U.S. Cl. **D7/681**

DESCRIPTION

[58] Field of Search D7/681, 688-692;
30/128, 130, 324; 73/426; 294/55; 219/227;
425/276-277, 281, 282, 187

FIG. 1 is a perspective view of the heated ice cream scoop showing our new design;

FIG. 2 is a left side elevational view thereof;

FIG. 3 is a right side elevational view thereof;

FIG. 4 is a front elevational view thereof, the rear elevational view being a mirror image of the view shown in this Figure;

FIG. 5 is a top plan view thereof; and,

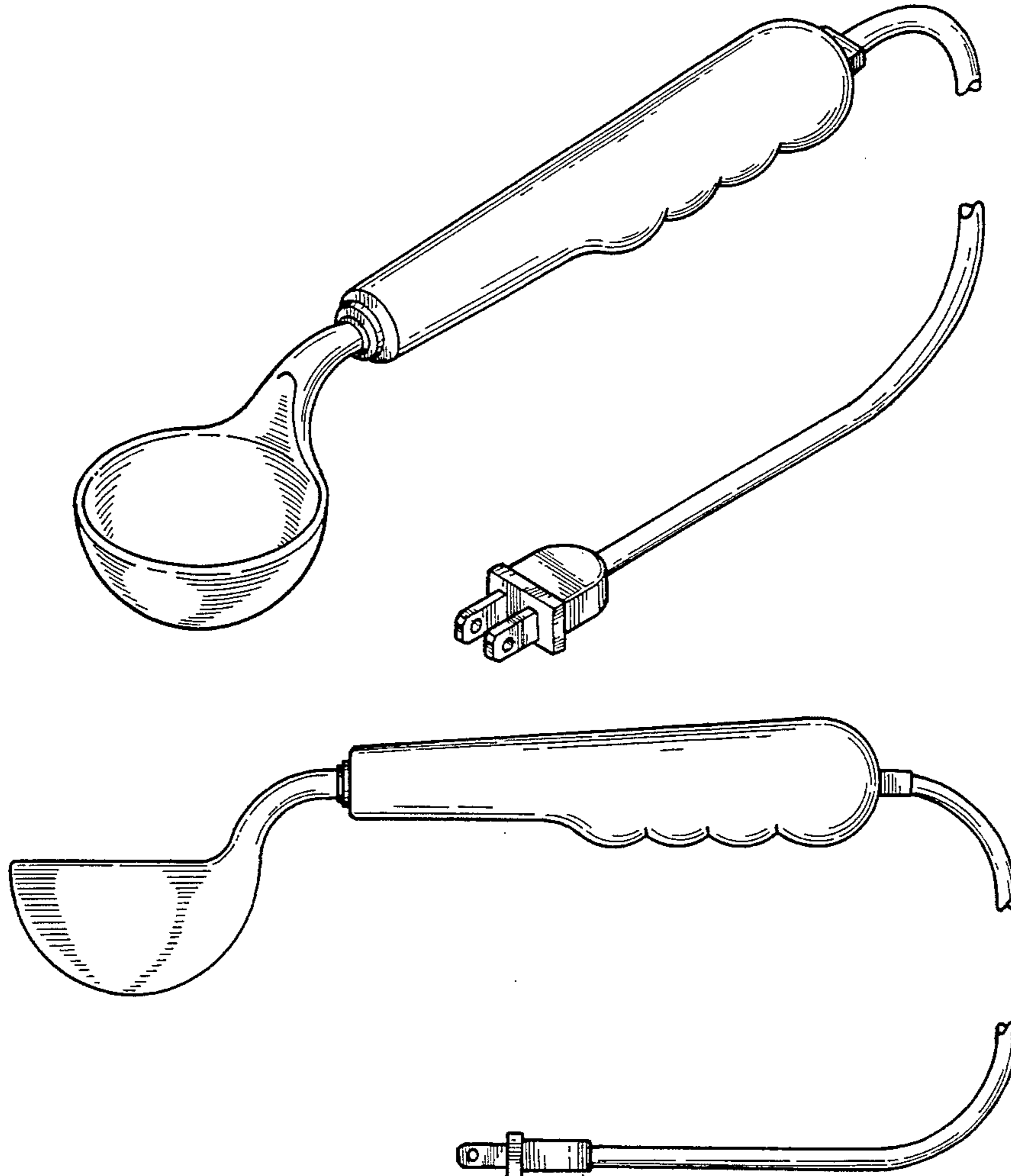
FIG. 6 is a bottom plan view thereof.

[56] References Cited

U.S. PATENT DOCUMENTS

D. 221,470	8/1971	Sevell	D7/681
3,299,838	1/1967	Thietje	D7/681 X
3,304,890	2/1967	Sloan et al.	D7/681 X
3,476,059	11/1969	Anderson	D7/681 X

1 Claim, 4 Drawing Sheets



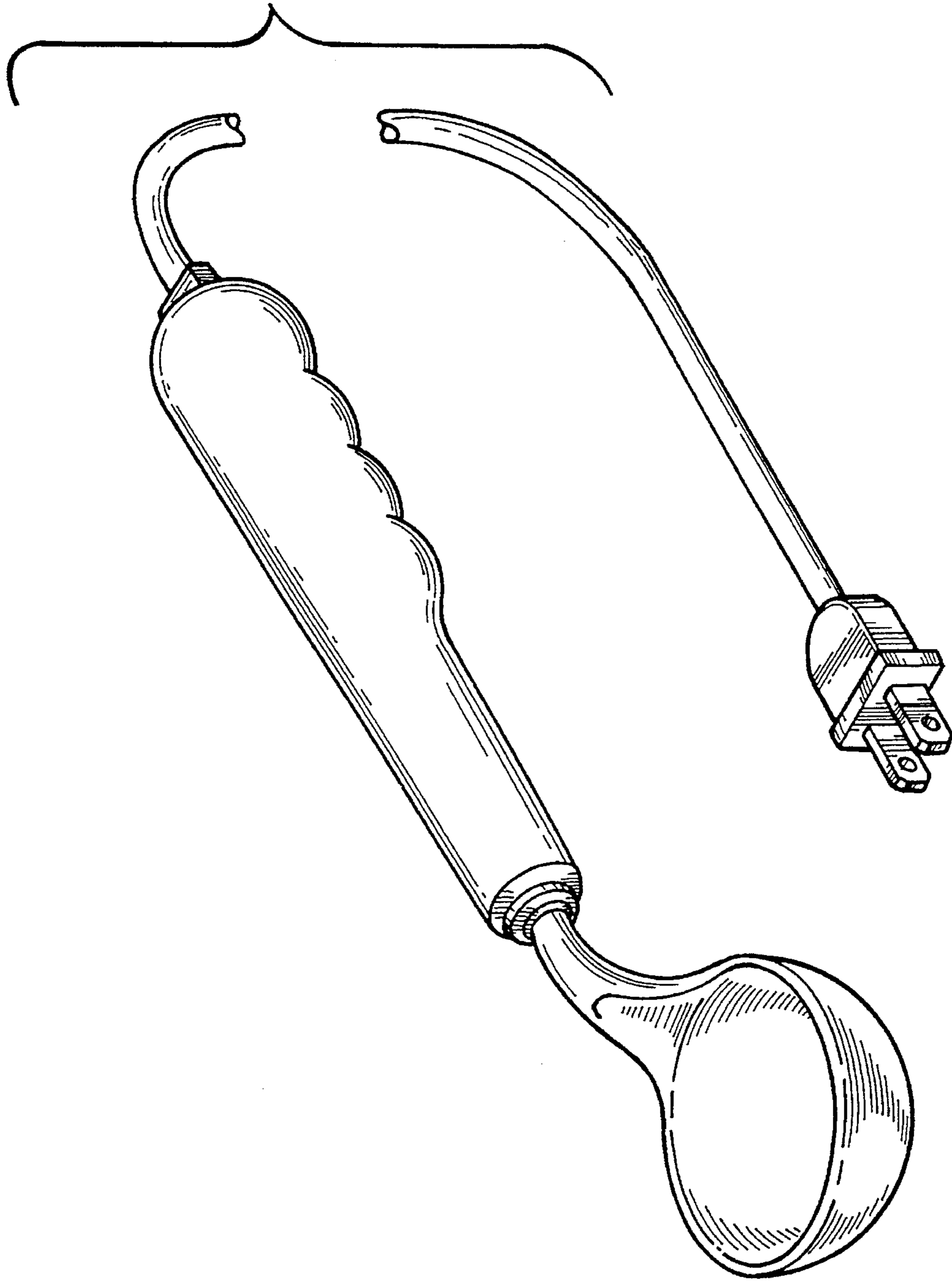


FIG. 1

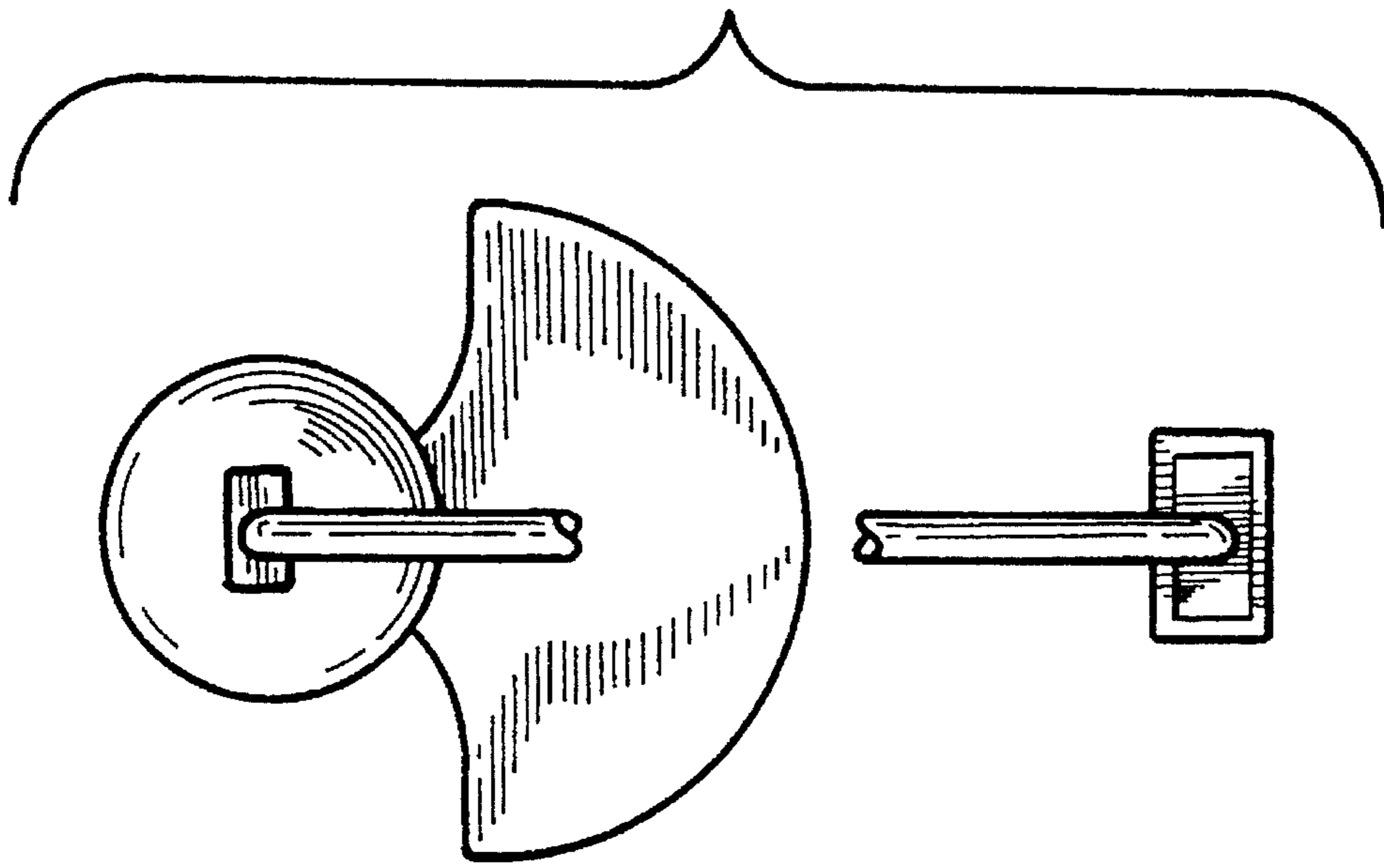


FIG. 2

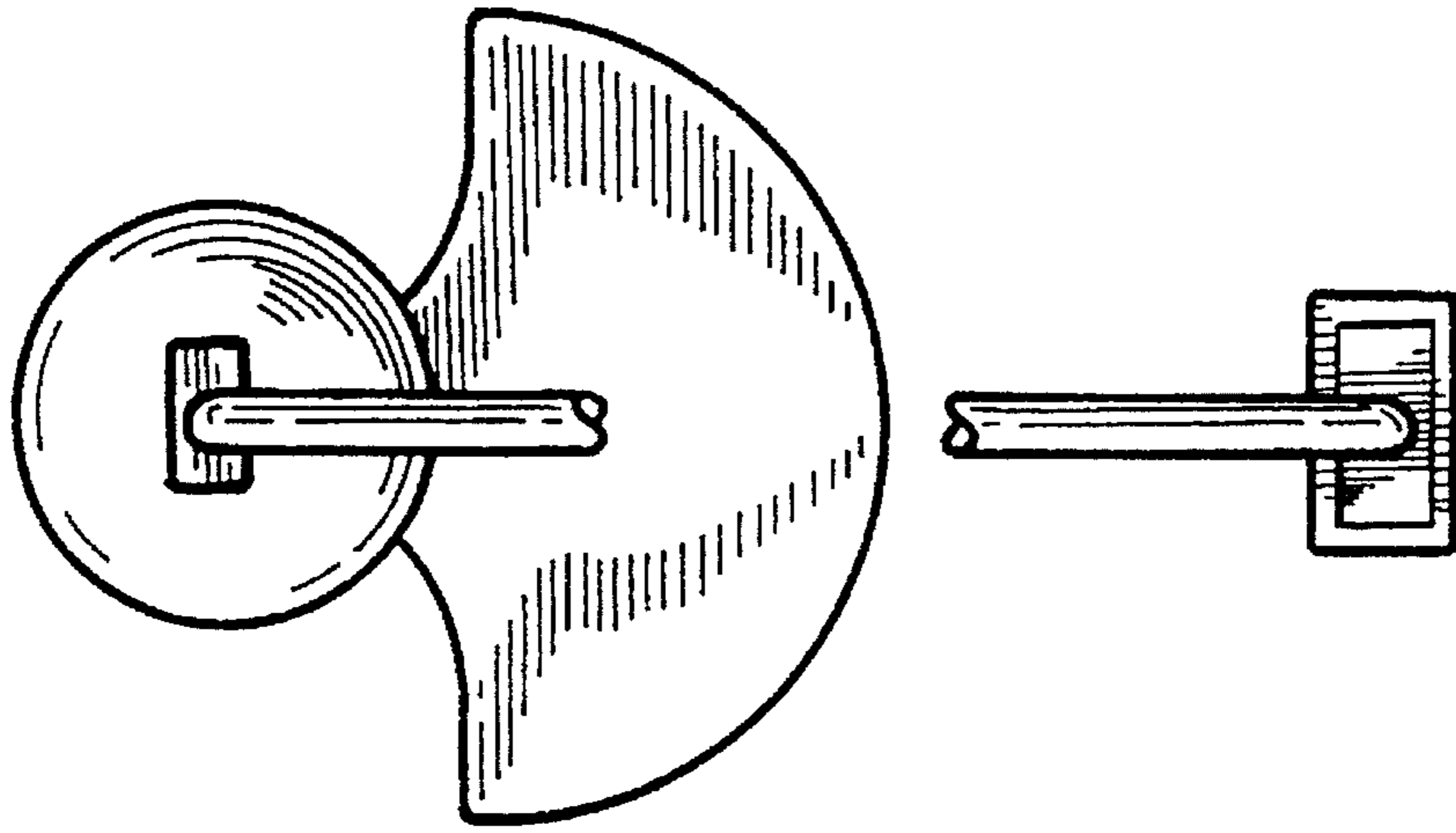


FIG. 3

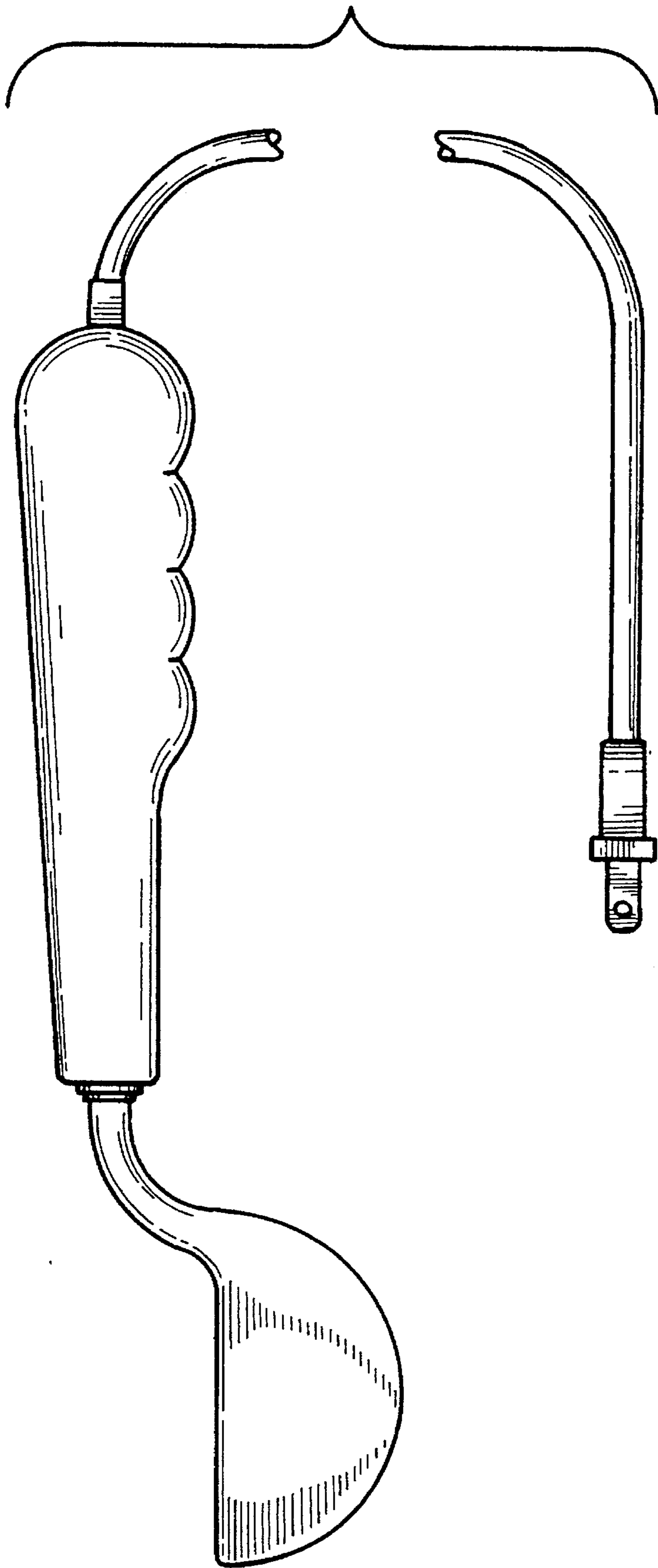


FIG. 4

FIG. 5

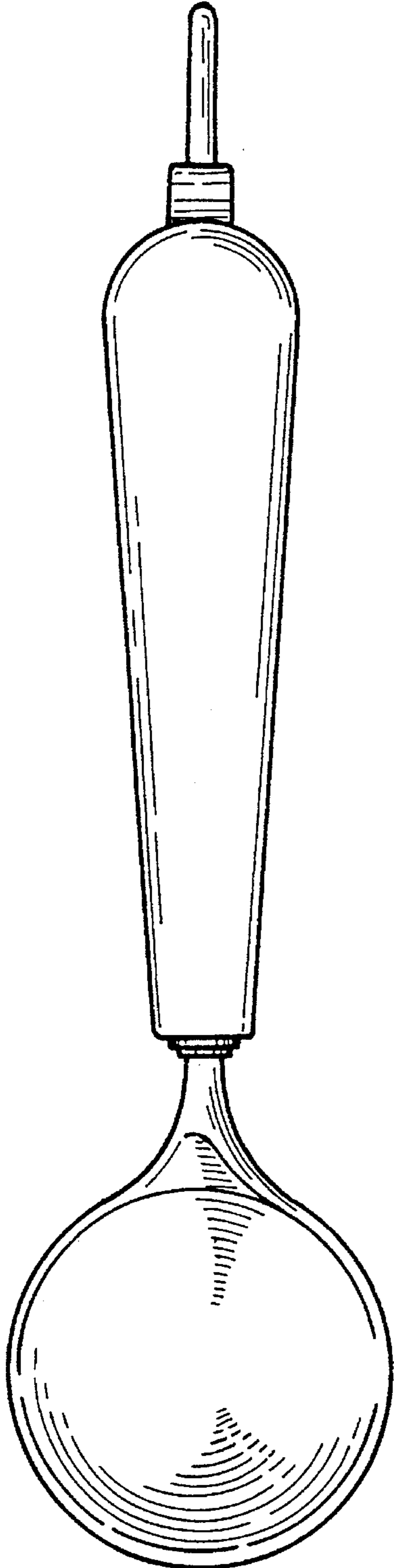


FIG. 6

