



US00D371283S

United States Patent [19] Cooper

[11] Patent Number: **Des. 371,283**
[45] Date of Patent: ****Jul. 2, 1996**

[54] **HAND PORTIONER**
[75] Inventor: **William A. Cooper**, Uckfield, England
[73] Assignee: **Mitchell & Cooper Limited**, Sussex, England
[**] Term: **14 Years**
[21] Appl. No.: **39,895**
[22] Filed: **Jun. 7, 1995**

1,826,818 10/1931 Palmer .
1,842,709 1/1932 Baughman .
2,669,194 2/1954 Brown .
3,208,404 9/1965 Schlessel .
4,392,806 7/1983 Houle .

FOREIGN PATENT DOCUMENTS

472274 3/1947 Belgium .
2282232 3/1976 France .
204991 4/1908 Germany .
2044771 3/1972 Germany .
64680 9/1949 Netherlands .
1343123 1/1974 United Kingdom .

Related U.S. Application Data

[63] Continuation-in-part of Ser. No. 20,654, Mar. 30, 1994, Pat. No. Des. 361,480.

[30] Foreign Application Priority Data

Oct. 1, 1993 [GB] United Kingdom 2034282

[52] U.S. Cl. **D7/681**

[58] Field of Search D7/681, 688-692;
30/128, 130, 324; 73/426; 294/55; 425/187,
276, 283-286

OTHER PUBLICATIONS

Hamilton Beach brochure, portioning tool.
Williams—Sonoma, Jan. 1982, p. 32, ice cream scoops (B).

Primary Examiner—Terry A. Wallace
Attorney, Agent, or Firm—Bryan Cave

[57] CLAIM

The ornamental design for a hand portioner, as shown and described.

[56] References Cited

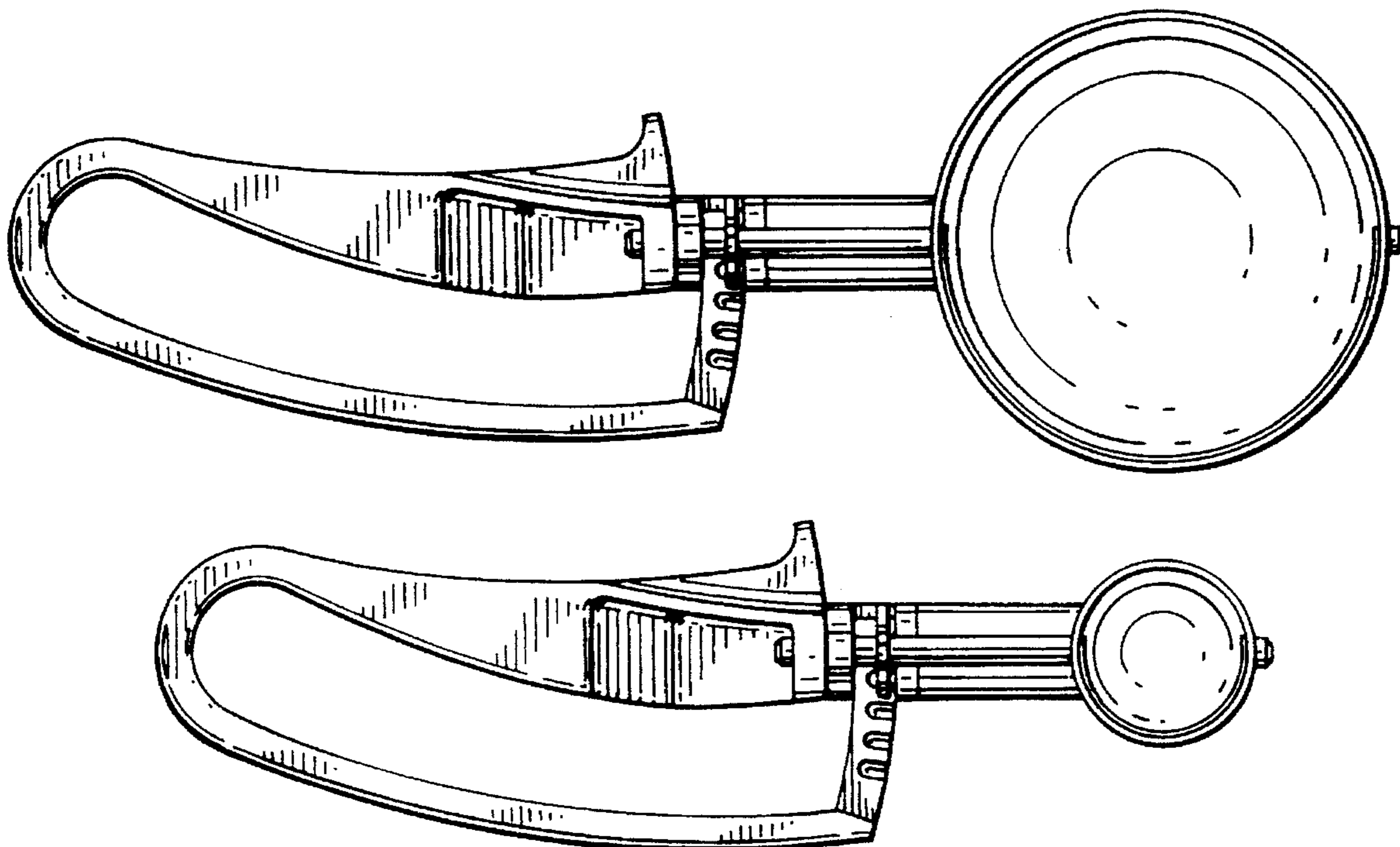
U.S. PATENT DOCUMENTS

D. 294,101 2/1988 Steliko .
D. 312,193 11/1990 Cooper .
561,727 6/1896 Riggs .
708,987 9/1902 Baughman .
772,674 10/1904 Rommer .
903,563 11/1908 Graffort .
925,275 6/1909 Benjamin .
1,120,888 12/1914 Baughman .
1,430,979 10/1922 Gibbs .

DESCRIPTION

FIG. 1 is a right side elevation view of a hand portioner showing my new design;
FIG. 2 is a top plan view thereof;
FIG. 3 is a bottom plan view thereof;
FIG. 4 is a right side elevation view of an alternate embodiment of FIG. 1;
FIG. 5 is a top plan view of FIG. 4; and,
FIG. 6 is a bottom plan view of FIG. 4.

1 Claim, 2 Drawing Sheets



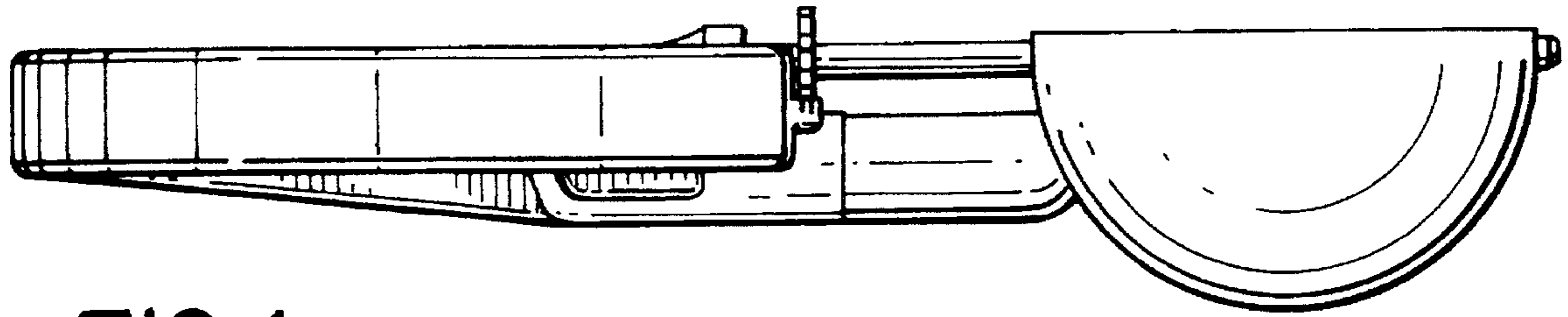


FIG. 1.

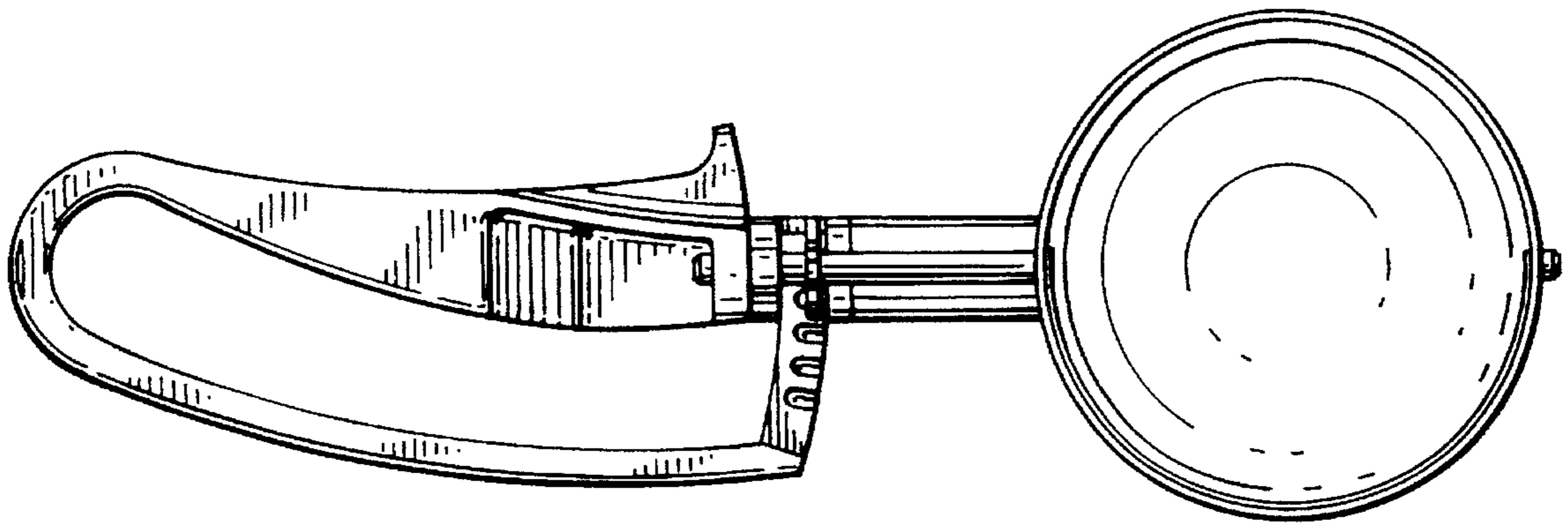


FIG. 2.

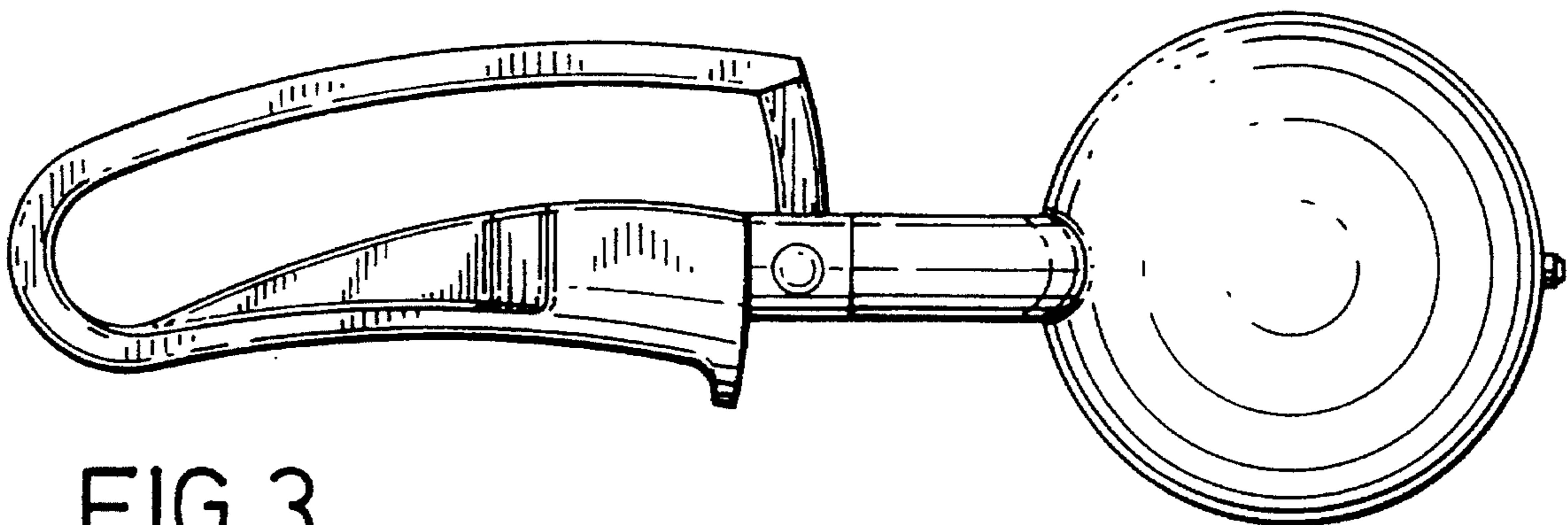


FIG. 3.

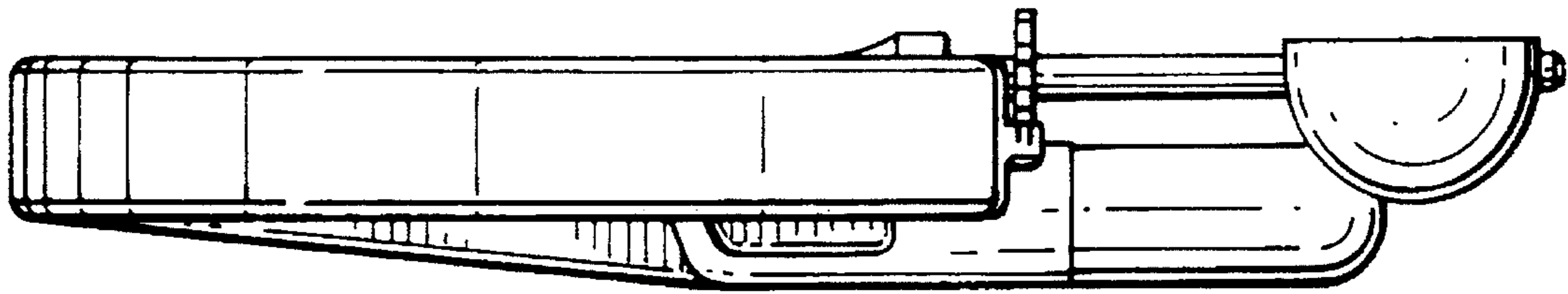


FIG. 4.

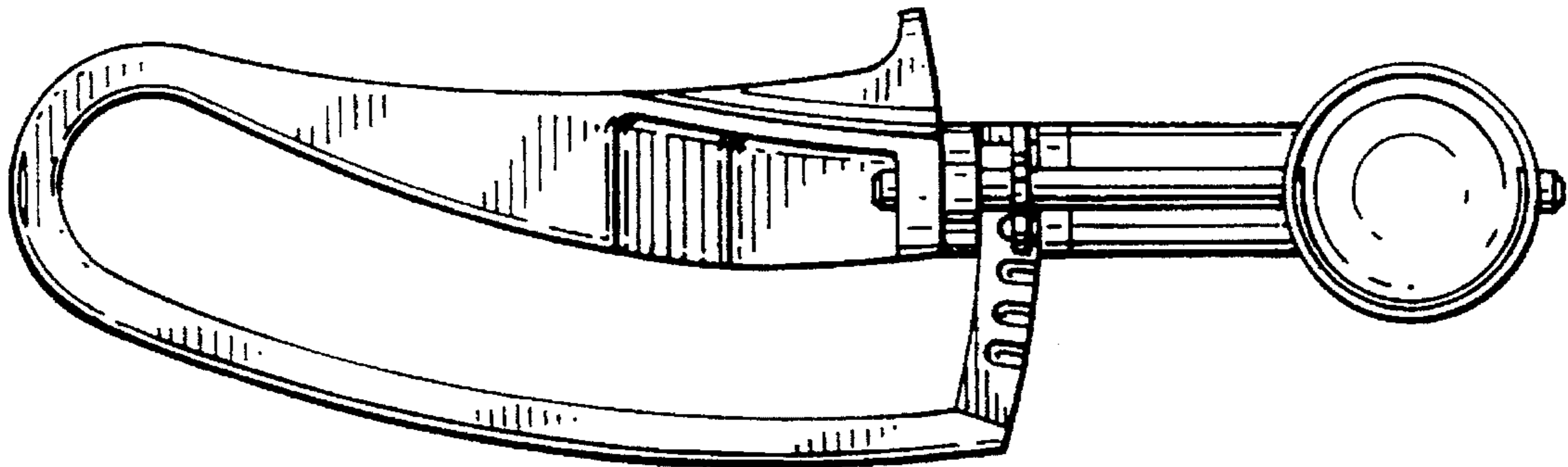


FIG. 5.

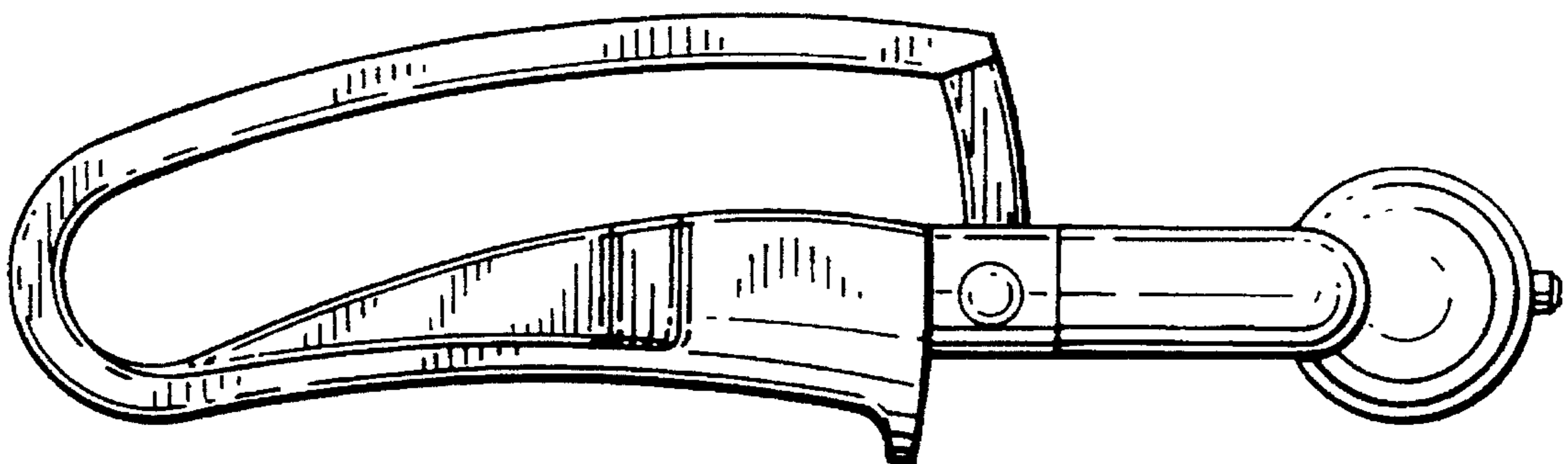


FIG. 6.