



US00D371278S

United States Patent [19] Jørgensen

[11] Patent Number: **Des. 371,278**

[45] Date of Patent: ****Jul. 2, 1996**

[54] **BREAD BOX**

[75] Inventor: **Carsten Jørgensen**, Kriens, Switzerland

[73] Assignee: **PI-Design AG**, Triengen, Switzerland

[**] Term: **14 Years**

[21] Appl. No.: **26,553**

[22] Filed: **Aug. 1, 1994**

[30] **Foreign Application Priority Data**

Feb. 2, 1994 [DK] Denmark 100/94

[52] U.S. Cl. **D7/609**

[58] Field of Search D7/609; D6/433;
211/11; 217/62; 220/350, 252

[56] **References Cited**

U.S. PATENT DOCUMENTS

D. 286,126 10/1986 Driscoll D7/609
2,736,452 2/1956 Roop D7/609 X

FOREIGN PATENT DOCUMENTS

2179028 2/1987 United Kingdom D7/609

OTHER PUBLICATIONS

Carol Wright brochure, bread box.
Housewares Review, p. 40, Jun. 1960, bread box lower, left corner.

Primary Examiner—Terry A. Wallace
Attorney, Agent, or Firm—J. W. Gipple; Gipple & Hale

[57] **CLAIM**

The ornamental design for a bread box, as shown and described.

DESCRIPTION

FIG. 1 is a front elevation view of a breadbox showing my new design;

FIG. 2 is a top, front, left side perspective view thereof;

FIG. 3 is a right side elevation view thereof;

FIG. 4 is a left side elevation view thereof;

FIG. 5 is a rear elevation view thereof;

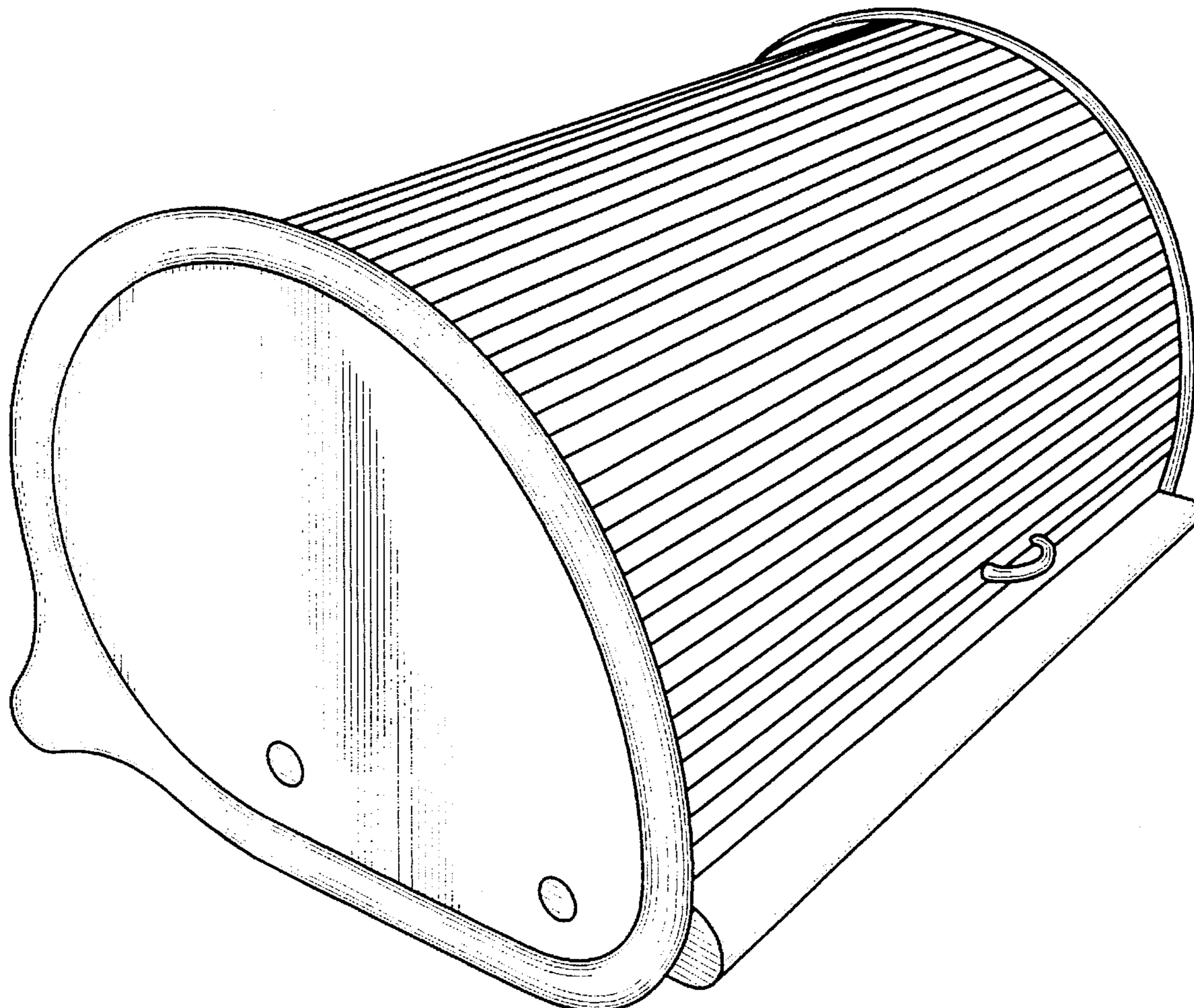
FIG. 6 is a top plan view thereof;

FIG. 7 is a bottom plan view thereof;

FIG. 8 is a cross-sectional view taken along line (8—8) of FIG. (1); and,

FIG. 9 is a front elevation view thereof in an open position.

1 Claim, 9 Drawing Sheets



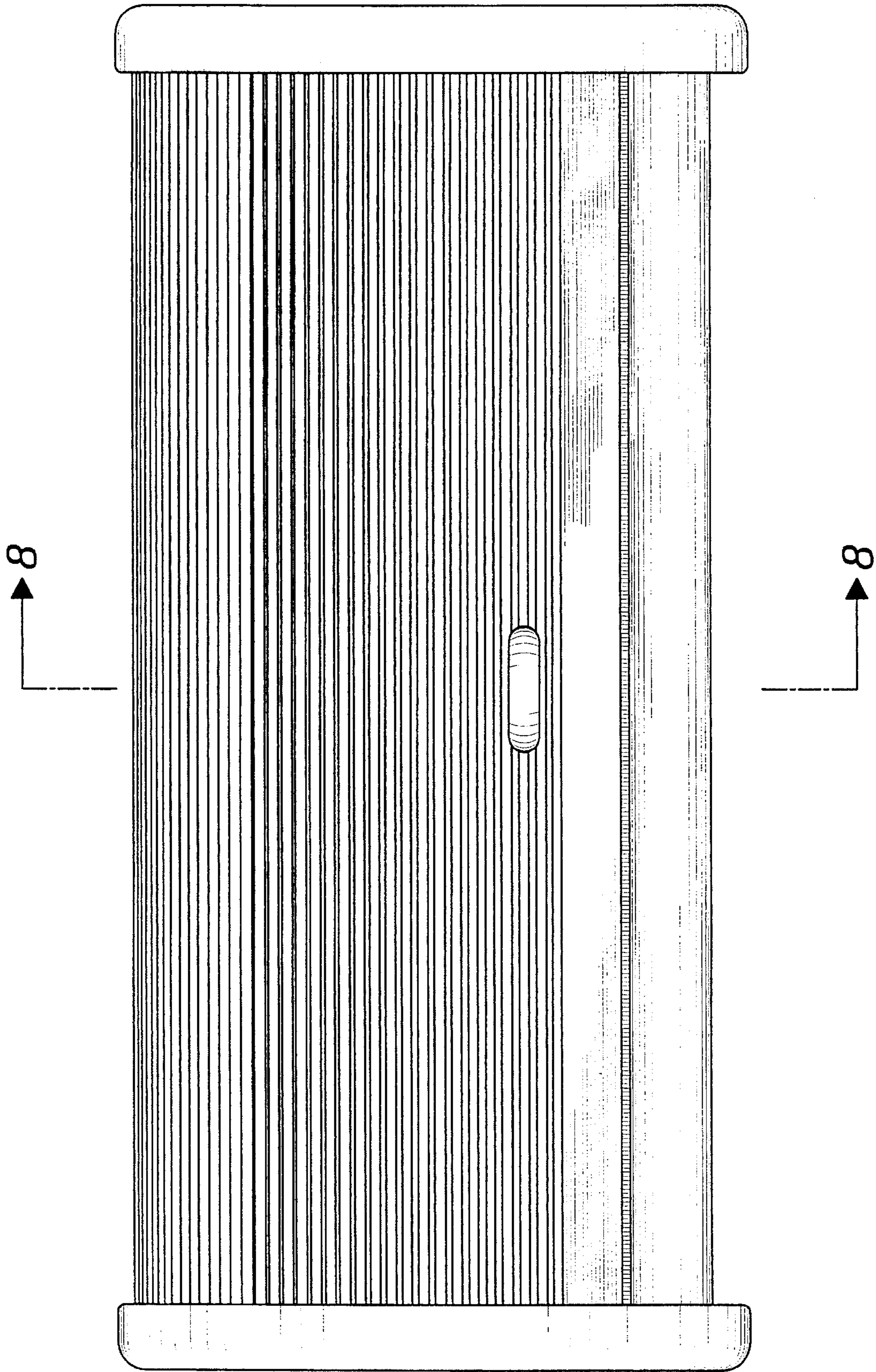


FIG. 1

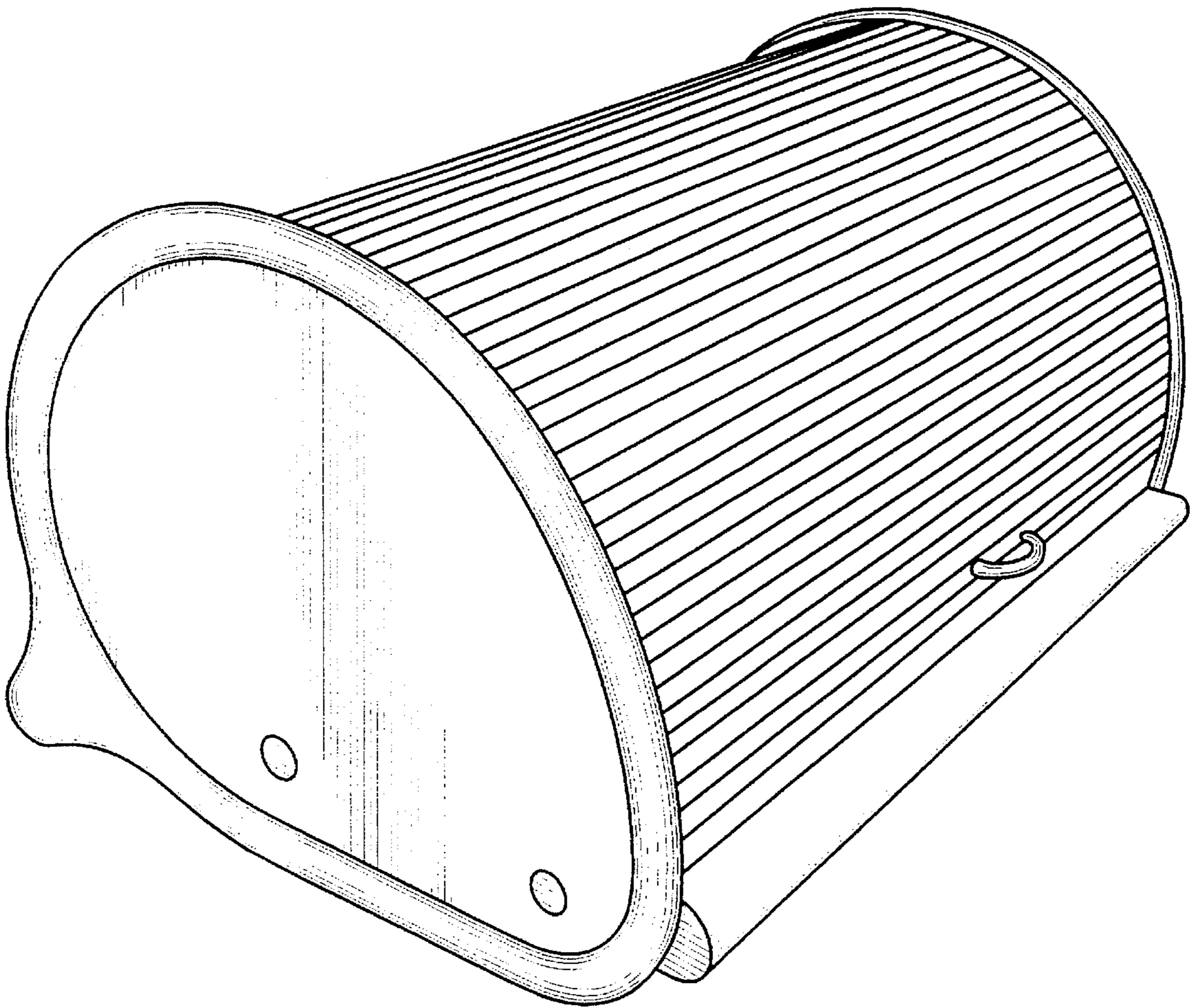


FIG. 2

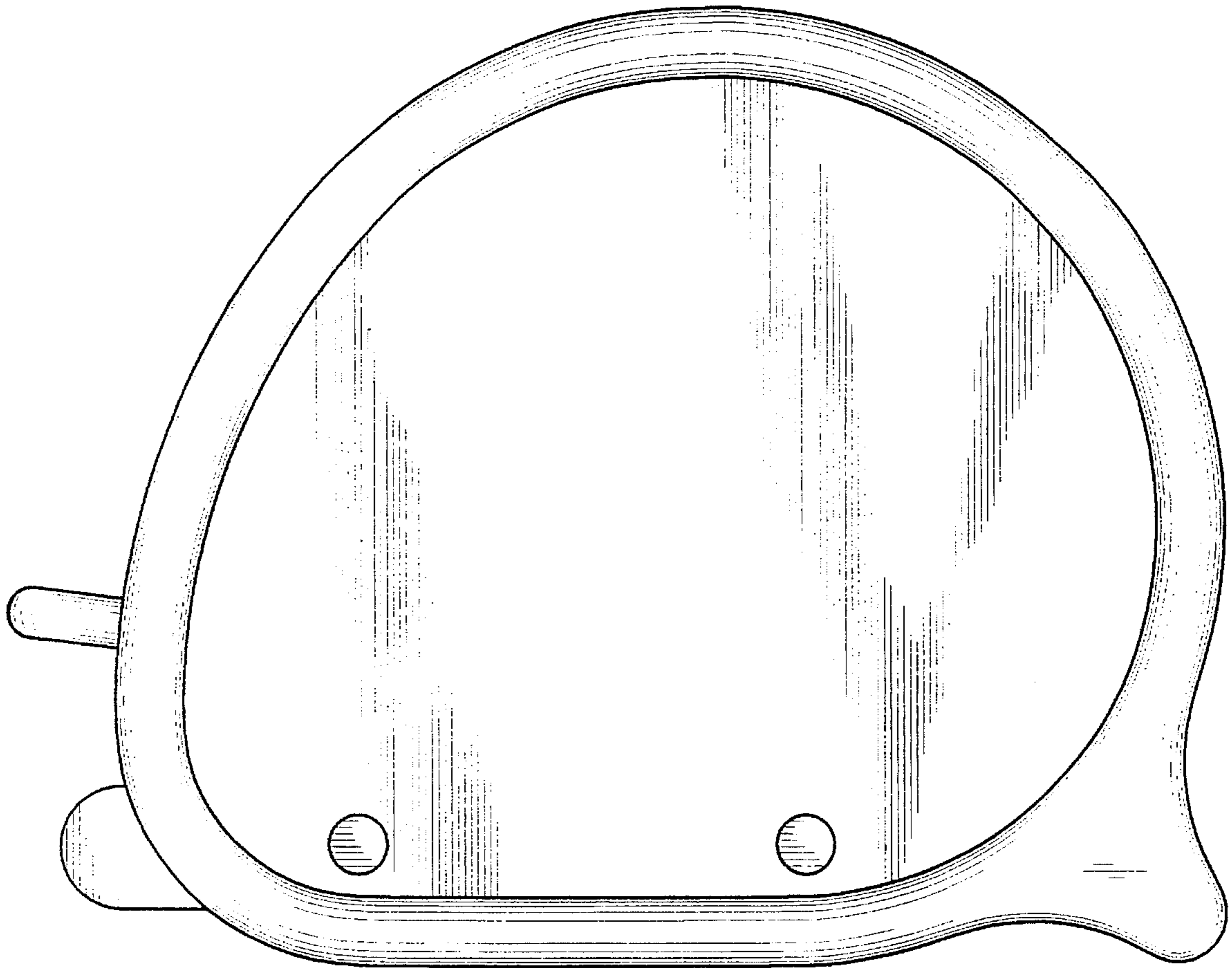


FIG. 3

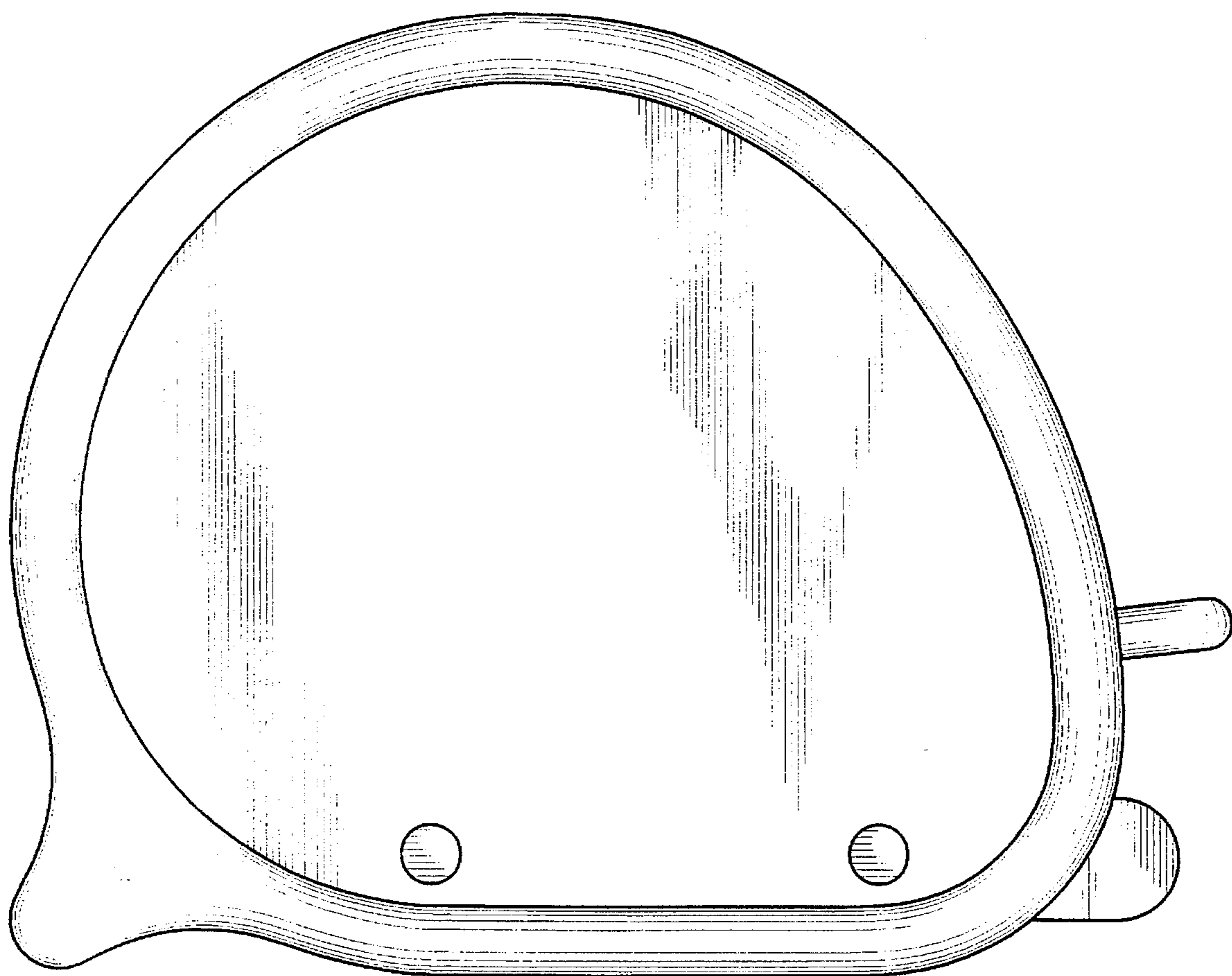


FIG. 4

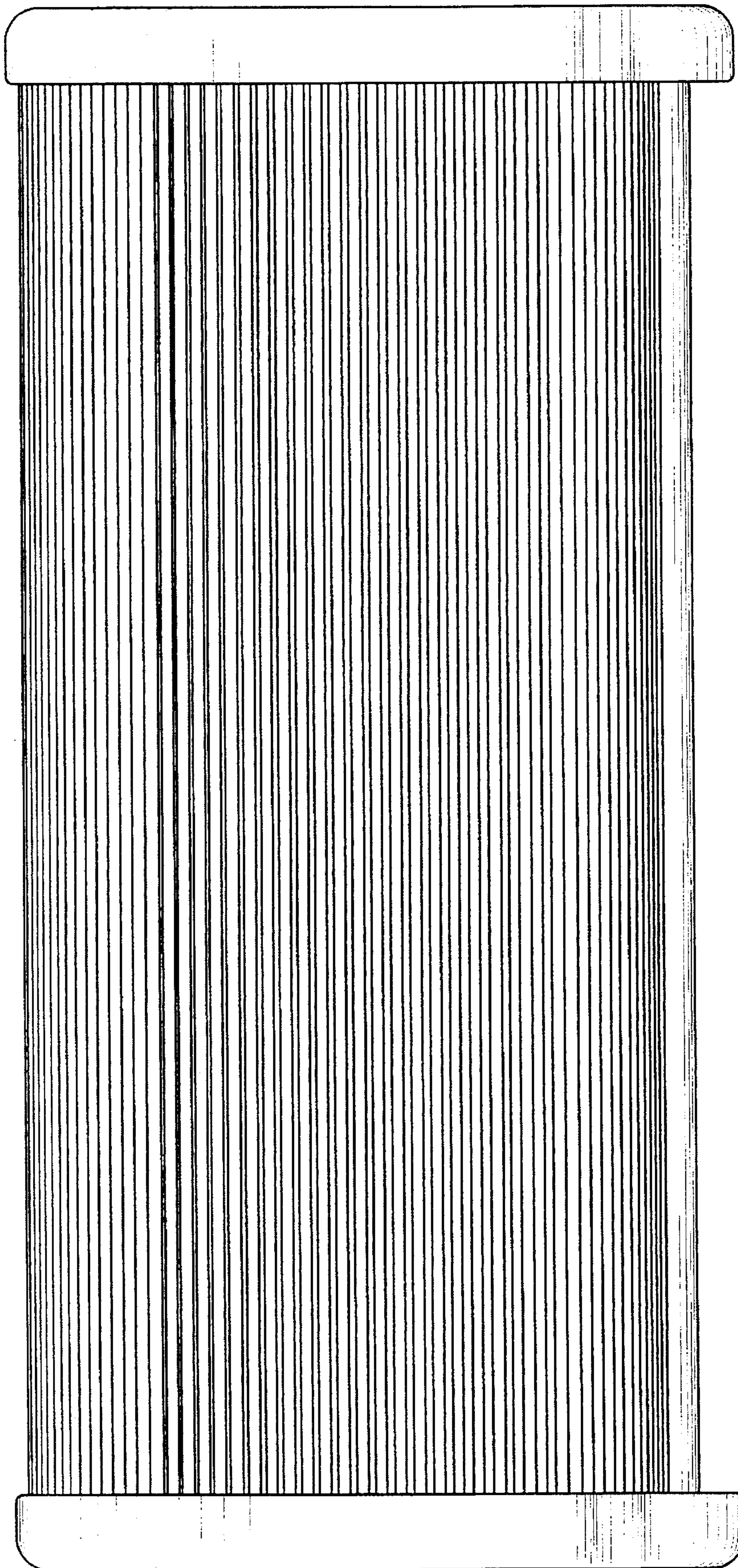


FIG. 5

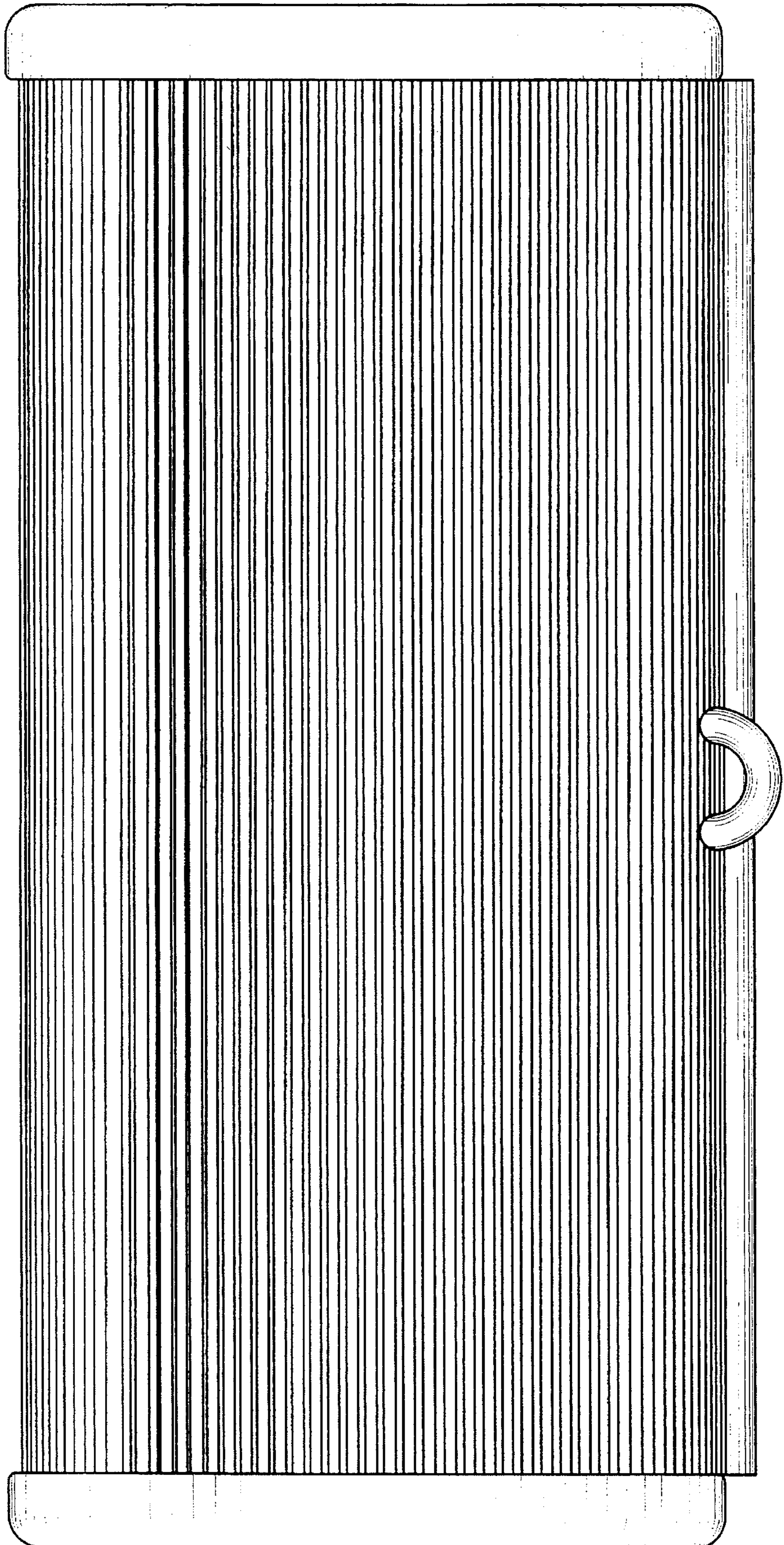


FIG. 6

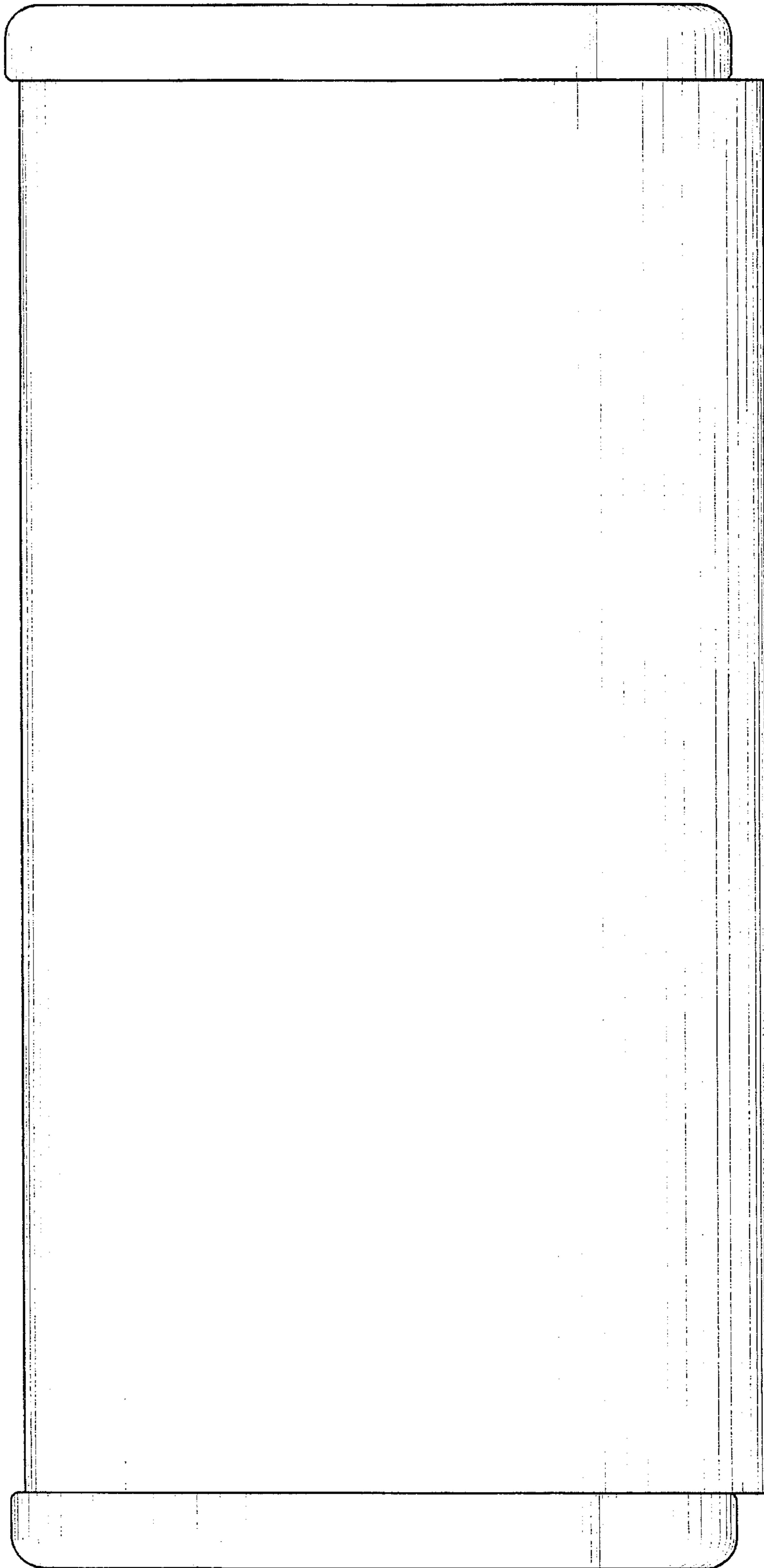


FIG. 7

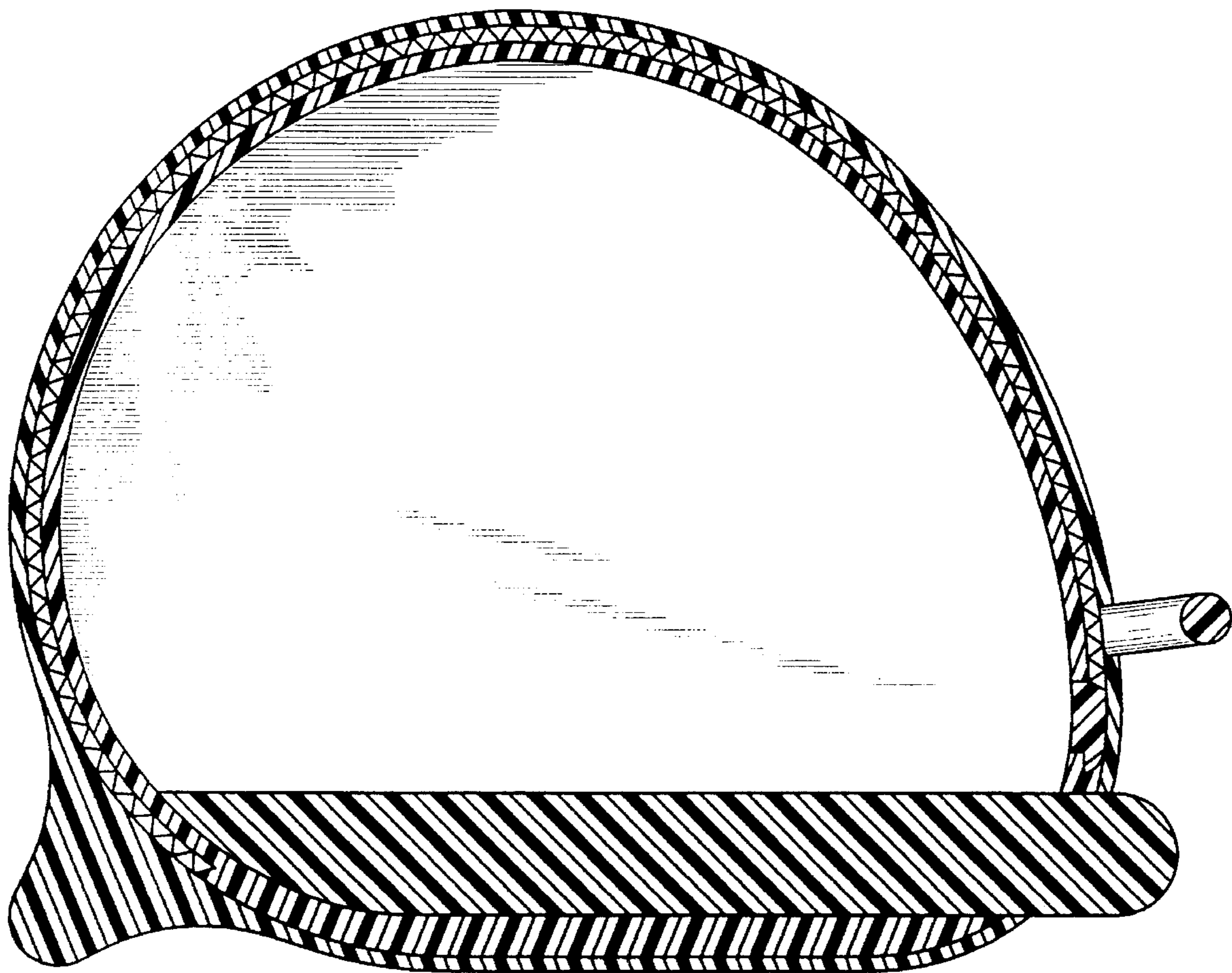


FIG. 8

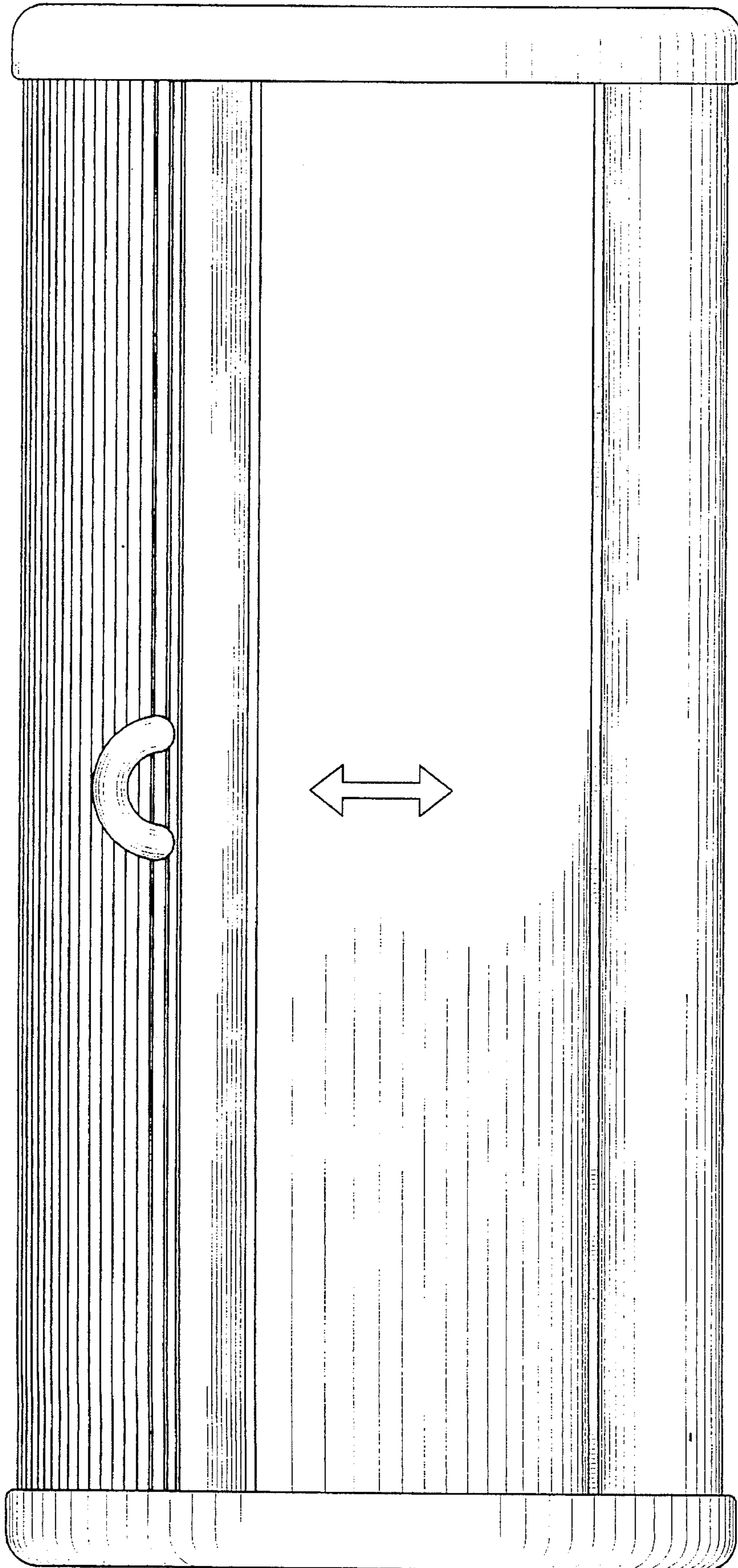


FIG. 9