



US00D371276S

United States Patent [19] Laib

[11] Patent Number: **Des. 371,276**
[45] Date of Patent: ****Jul. 2, 1996**

[54] TRIVET

[75] Inventor: **Douglas M. Laib**, Kissimmee, Fla.

[73] Assignee: **Dart Industries Inc.**, Deerfield, Ill.

[**] Term: **14 Years**

[21] Appl. No.: **23,911**

[22] Filed: **Jun. 10, 1994**

[52] U.S. Cl. **D7/388**; D7/624

[58] Field of Search D7/584, 388, 586,
D7/610, 501, 552, 362, 363, 367, 407,
624; 215/392, 393; 206/502

132,808	11/1872	Currier .	
491,322	2/1893	Mitchell	D7/388 X
1,206,569	11/1916	Marsh	D7/584 X
1,925,241	9/1933	Fullerton .	
1,981,627	11/1934	Merriman .	
2,206,694	7/1940	Greene .	
2,782,948	2/1957	Steinberg .	
3,120,077	2/1964	Stoffel .	
3,357,590	12/1967	Safford	D7/624 X
4,433,823	2/1984	Pearson .	

Primary Examiner—M. N. Pandozzi
Attorney, Agent, or Firm—John A. Doninger

[57] CLAIM

The ornamental design for a trivet, as shown and described.

[56] References Cited

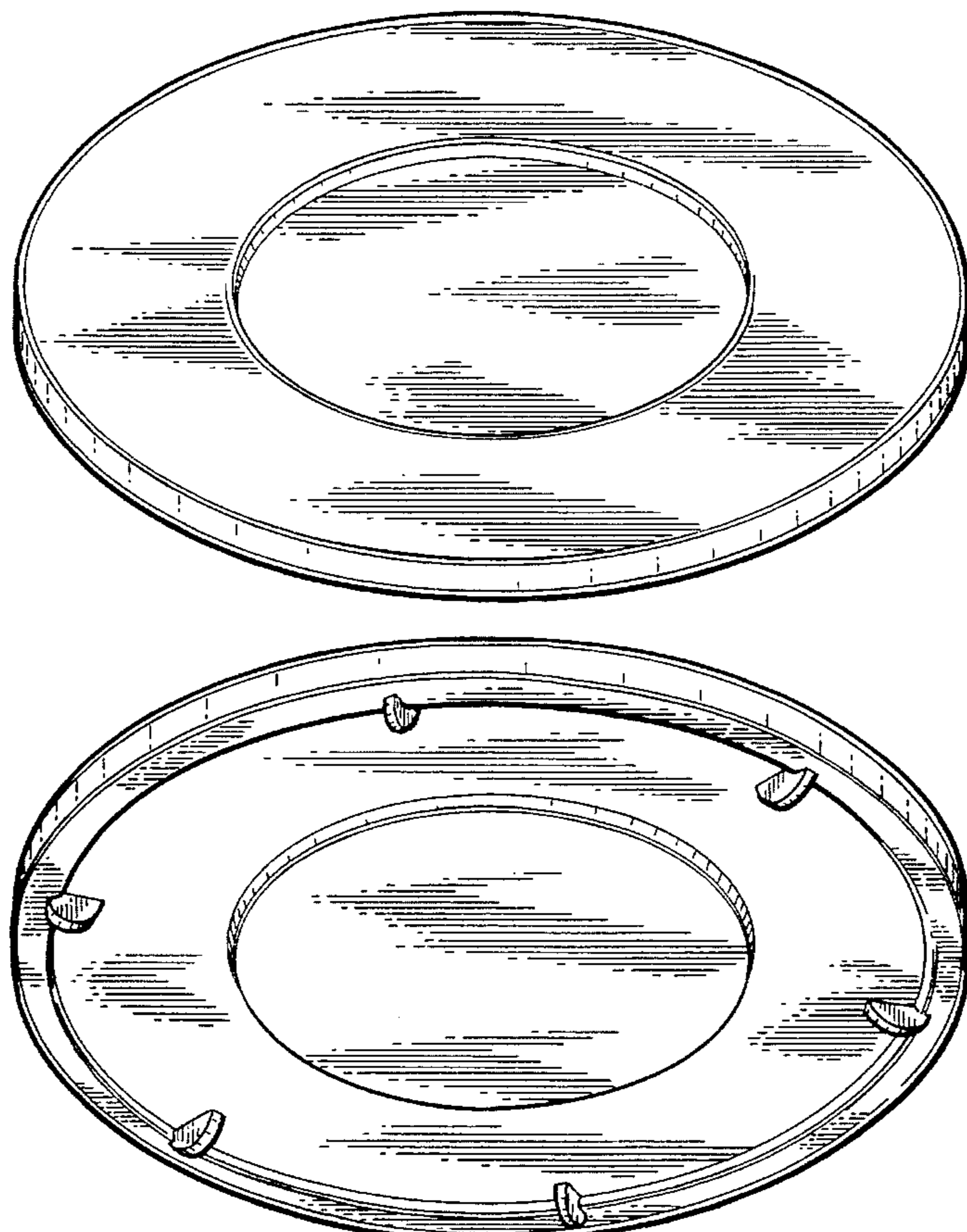
U.S. PATENT DOCUMENTS

D. 46,005	6/1914	Palmer	D7/624
D. 81,306	6/1930	Slick	D7/584
D. 148,454	7/1946	Blakeslee .	
D. 156,924	1/1950	Surina	D7/584
D. 189,791	2/1961	Fitzgerald .	
D. 215,384	9/1969	Meschwitzer	D7/407
D. 217,782	6/1970	Beckman .	
D. 236,790	6/1975	Bruno	D7/388
D. 252,313	7/1979	Landry	D7/388
D. 255,208	6/1980	Greger .	
D. 256,211	8/1980	Colato et al. .	
D. 283,496	4/1986	Pisarkiewicz	D7/624 X
D. 286,361	10/1986	Zieff .	
D. 346,764	5/1994	Sellers	D7/624

DESCRIPTION

FIG. 1 is a top and front perspective view of a trivet showing my new design;
FIG. 2 is a bottom perspective view thereof;
FIG. 3 is a top plan view thereof;
FIG. 4 is a bottom plan view thereof;
FIG. 5 is a front elevation view thereof;
FIG. 6 is a rear elevation view thereof;
FIG. 7 is a side elevation view thereof;
FIG. 8 is an elevation view of the opposite side thereof;
FIG. 9 is a cross-section view on line 9—9 in FIG. 3; and
FIG. 10 is a cross-section view on line 10—10 in FIG. 3.

1 Claim, 4 Drawing Sheets



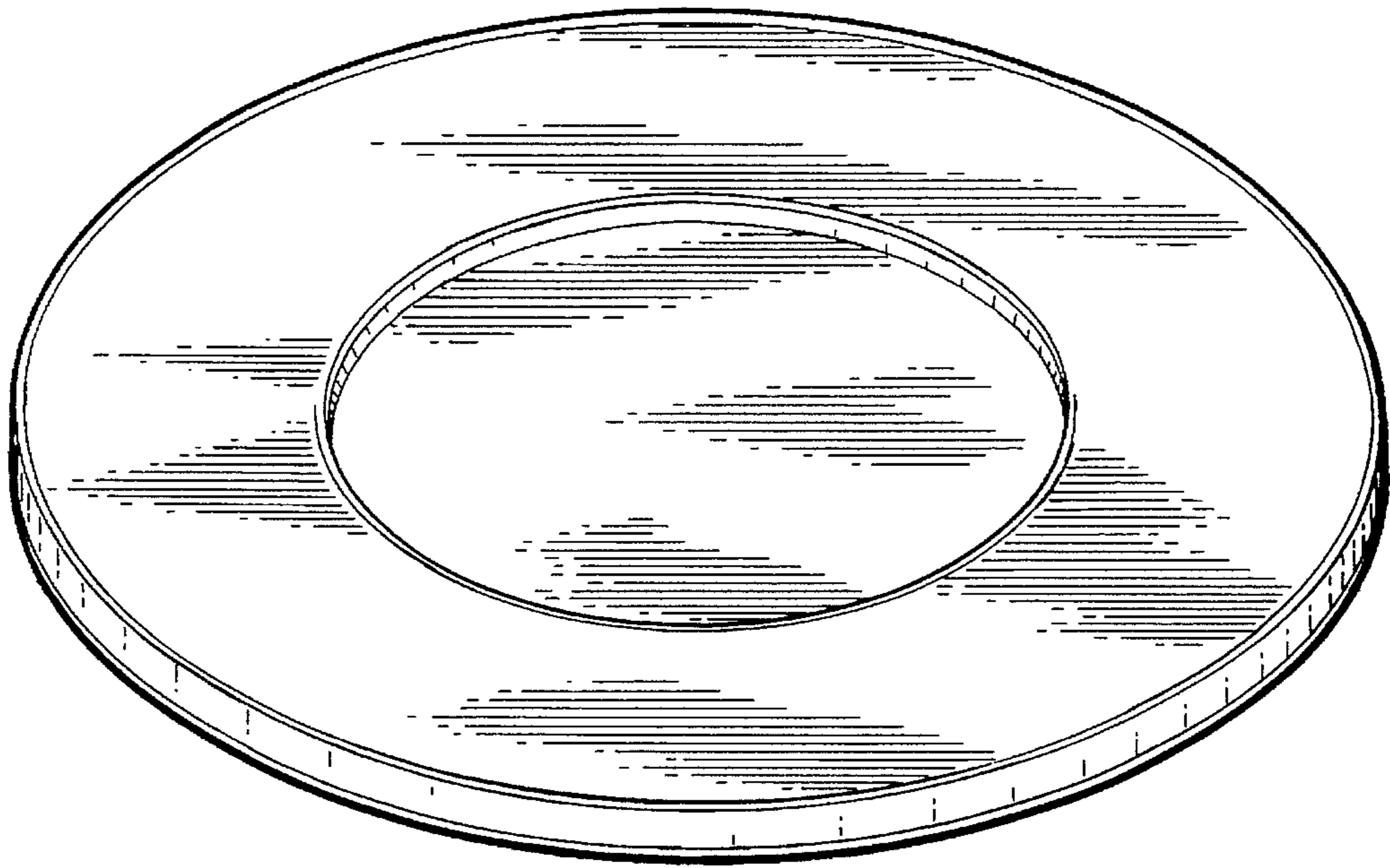


FIG. 1

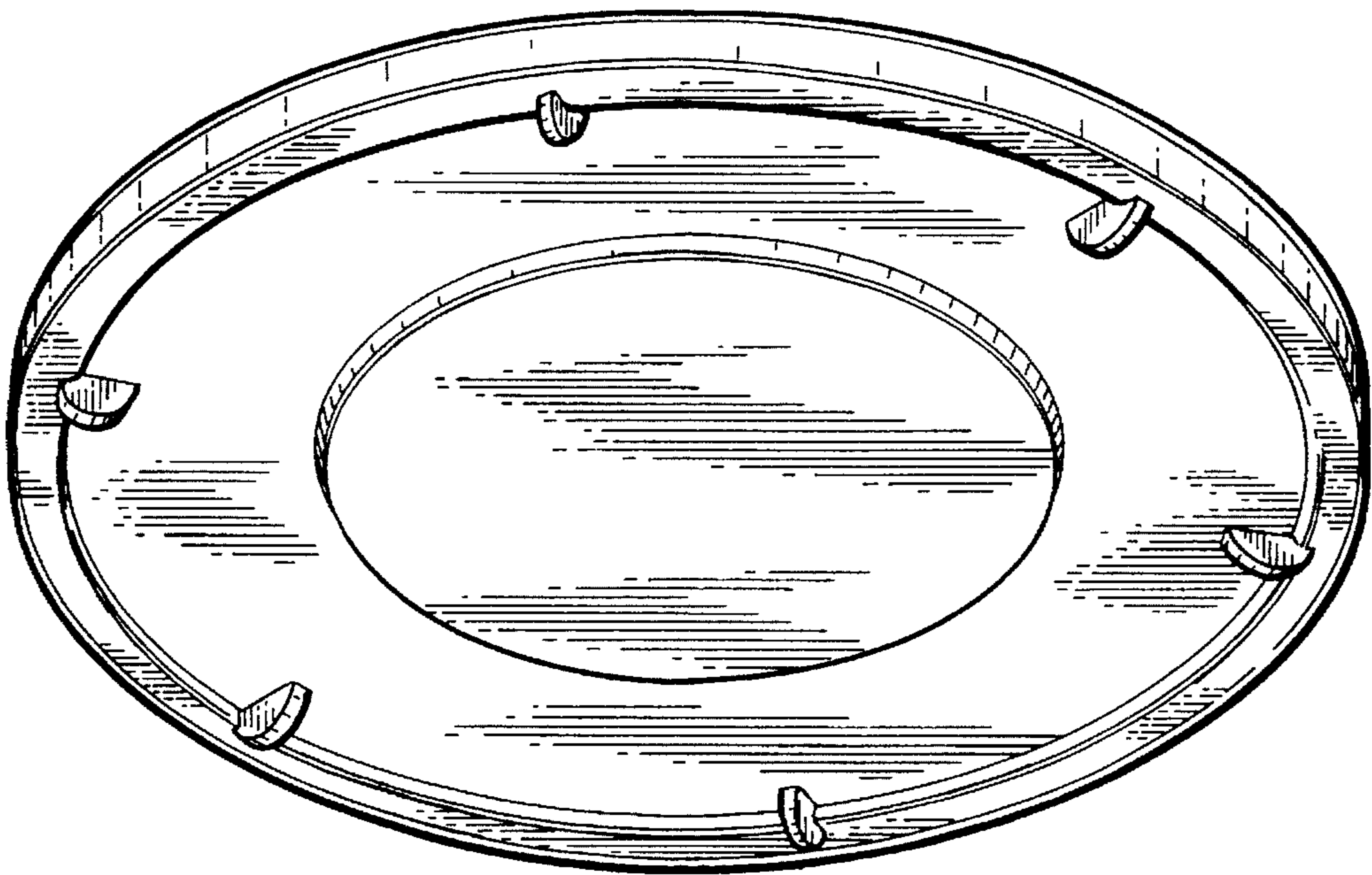
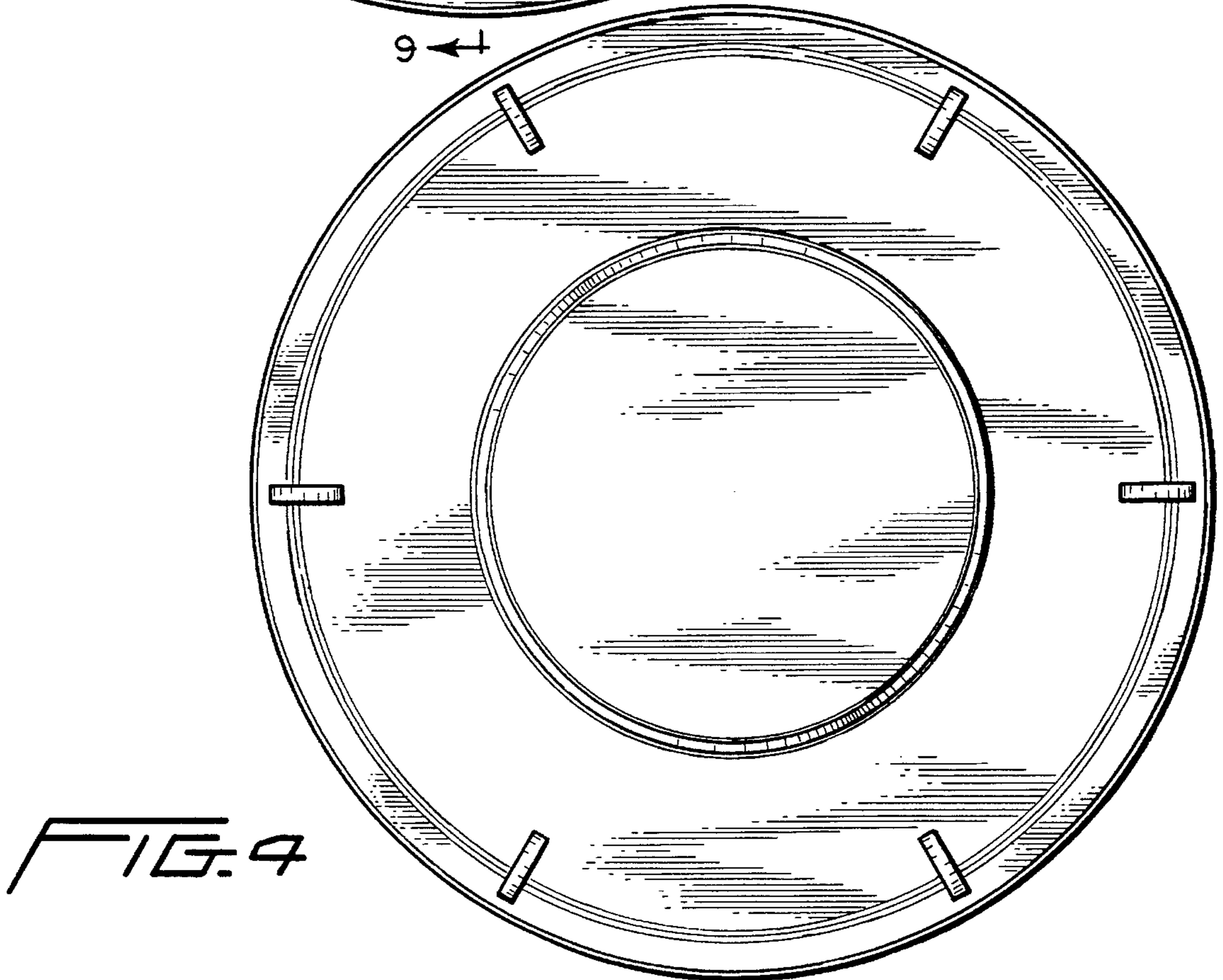
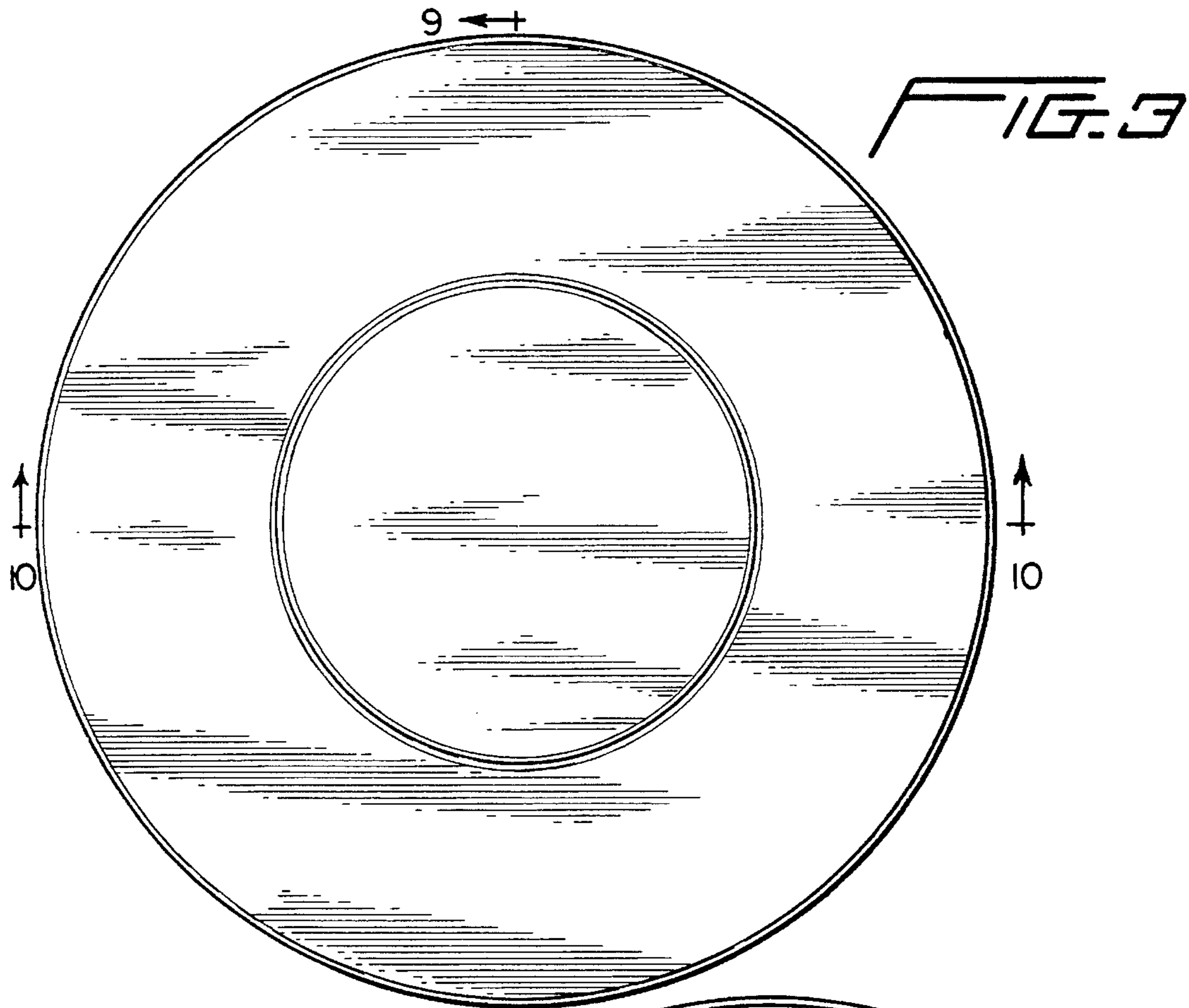


FIG. 2



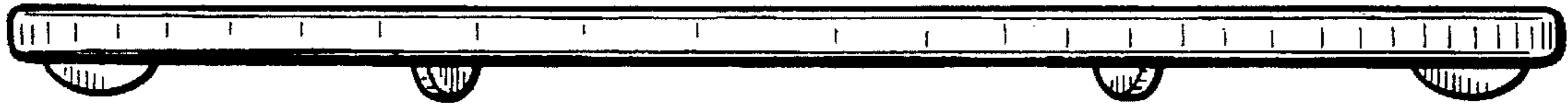


FIG. 5



FIG. 6



FIG. 7



FIG. 8



FIG. 9



FIG. 10