



US00D371275S

# United States Patent [19]

[11] Patent Number: **Des. 371,275**

Fouquet

[45] Date of Patent: **\*\*Jul. 2, 1996**

[54] **FOOD MIXING APPARATUS**

D. 205,092	6/1966	Ewart	.....	D7/379
D. 362,994	10/1995	Ratermann et al.	.....	D7/376
5,348,393	9/1994	Pappas, Jr.	.....	366/207

[76] Inventor: **Jacques Fouquet**, 6 Rue des Farges, Lyon, France, 69005

[\*\*] Term: **14 Years**

*Primary Examiner*—Alan P. Douglas  
*Assistant Examiner*—Caron D. Veynar  
*Attorney, Agent, or Firm*—Dowell & Dowell

[21] Appl. No.: **44,876**

[57] **CLAIM**

[22] Filed: **Oct. 2, 1995**

The ornamental design for a food mixing apparatus, as shown.

[30] **Foreign Application Priority Data**

**DESCRIPTION**

May 15, 1995 [WO] WIPO ..... DM/033010

[52] U.S. Cl. .... **D7/379**; D7/376

FIG. 1 is a perspective view of the food mixing apparatus; FIG. 2 is a front elevation view thereof; FIG. 3 is a rear elevation view; FIG. 4 is an elevation view from the left side; FIG. 5 is an elevation view from the right side; FIG. 6 is a top plane view; and, FIG. 7 is a bottom plane view.

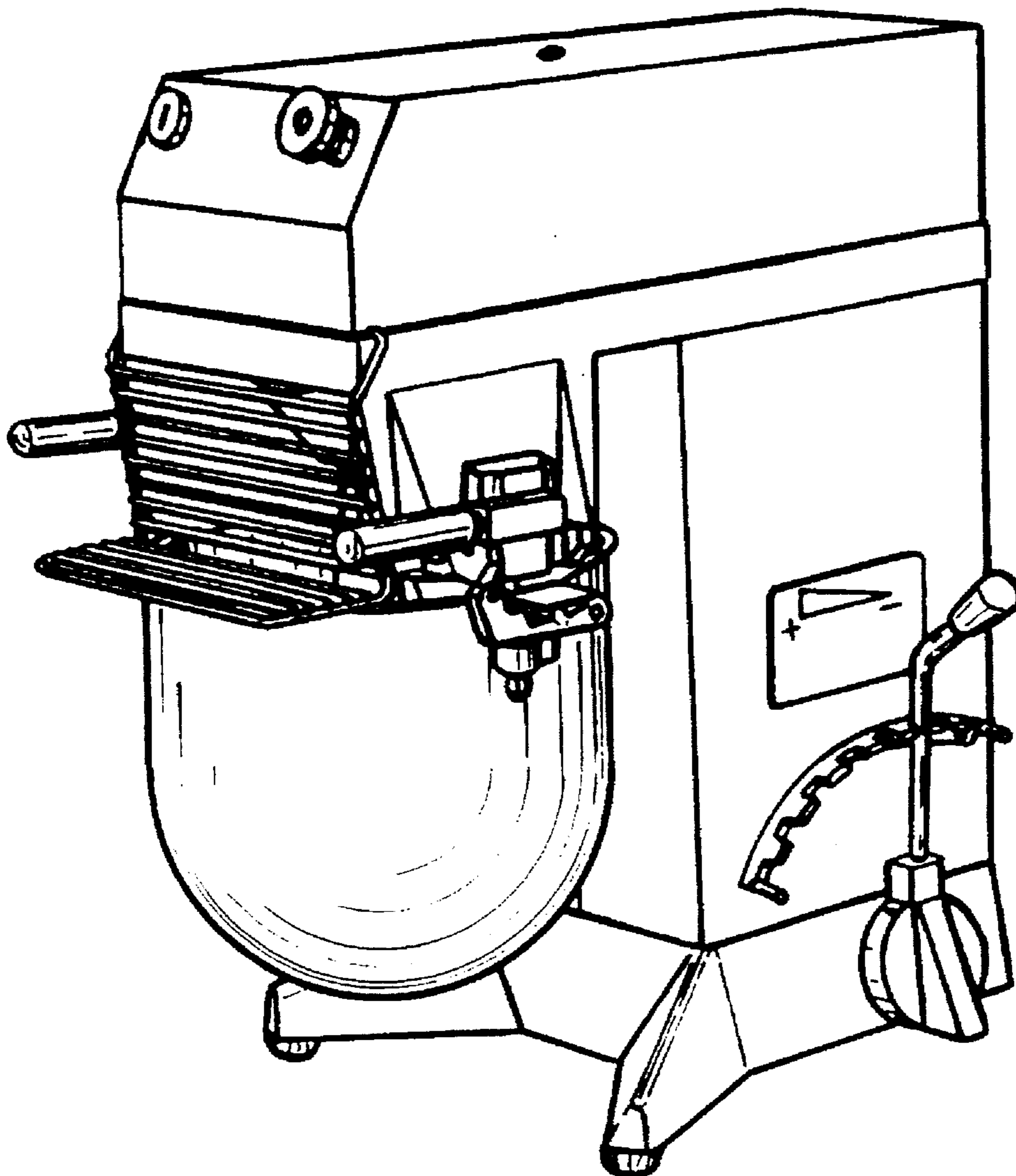
[58] Field of Search ..... D7/376-380; 366/98, 366/207

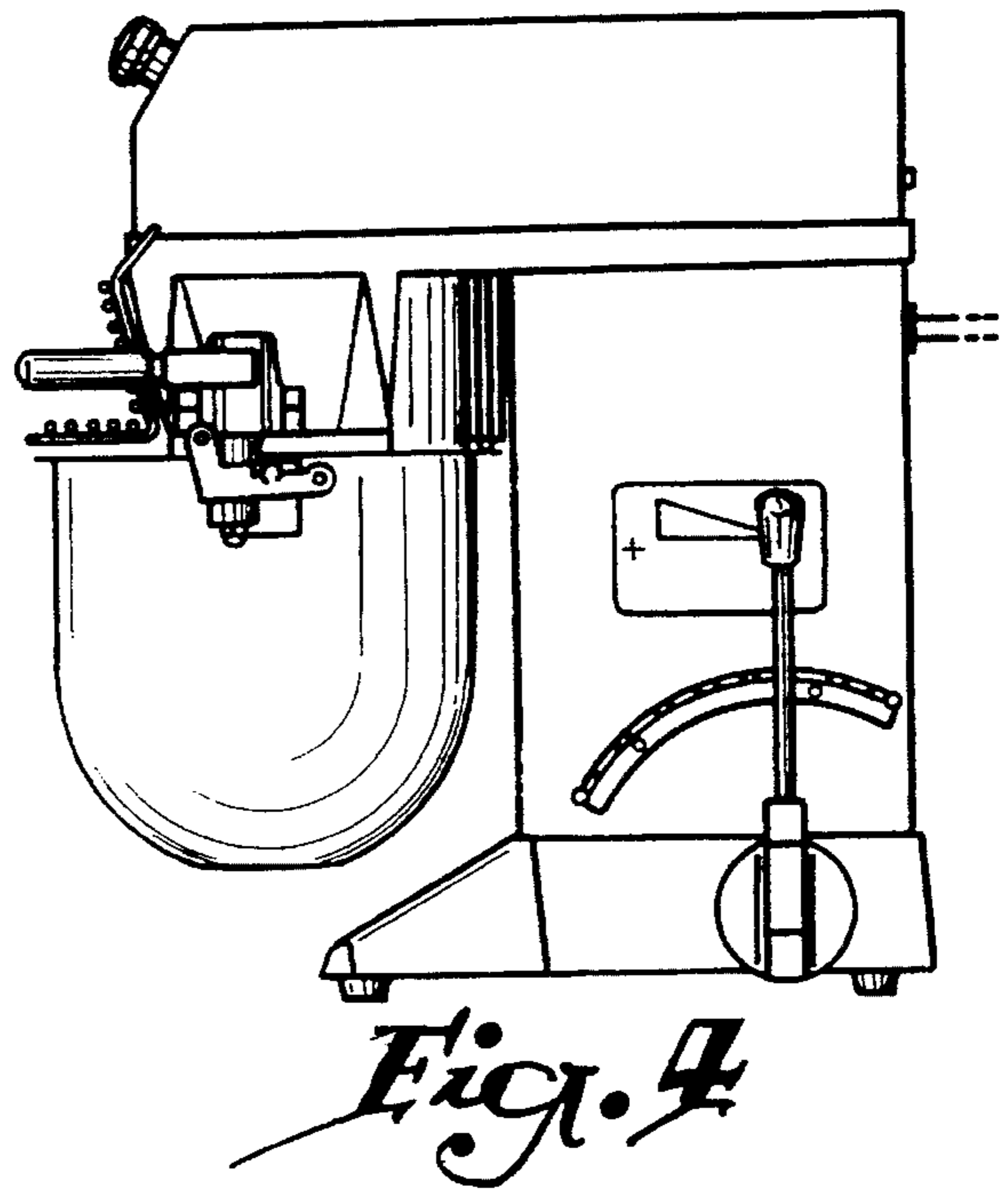
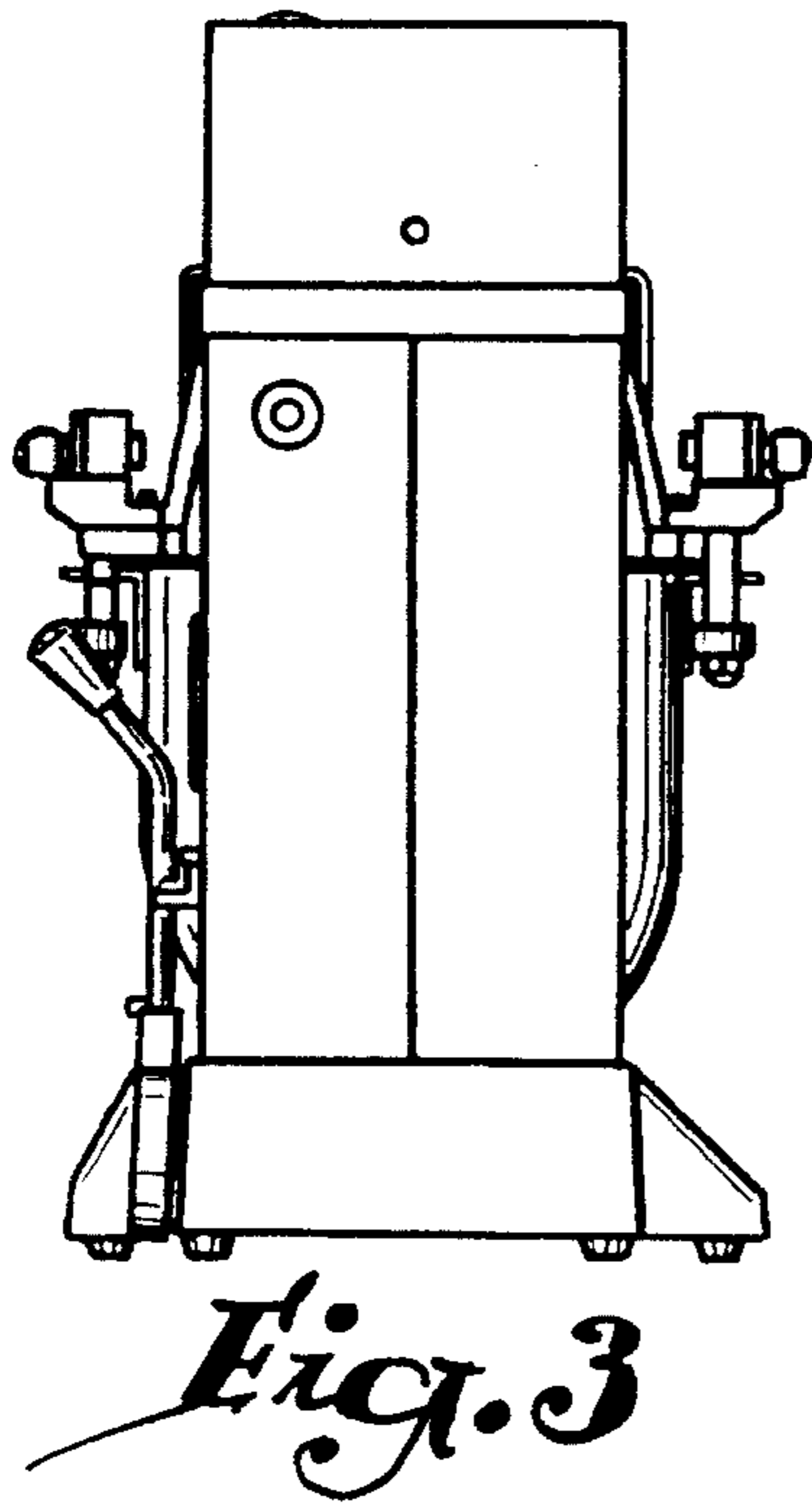
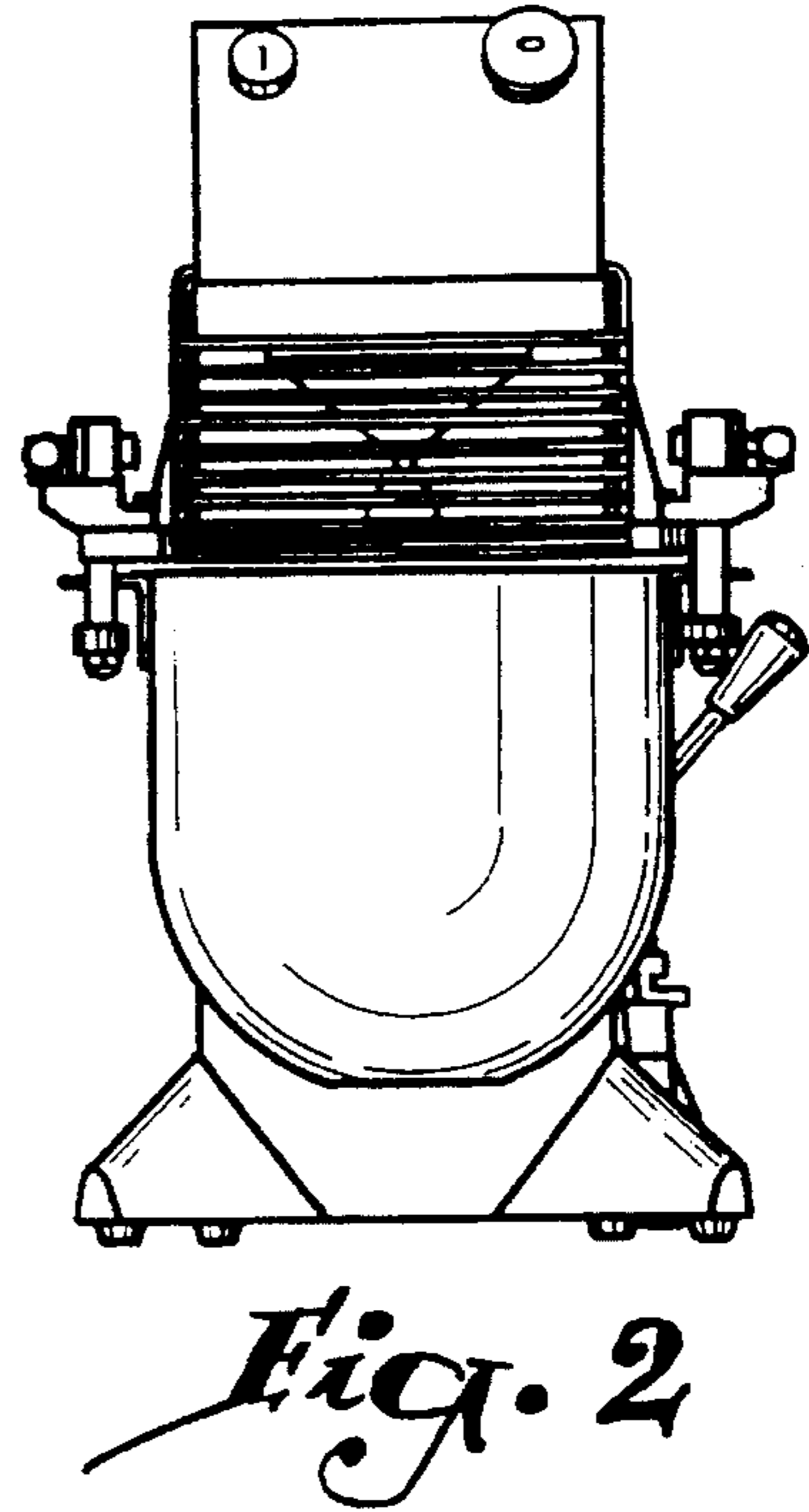
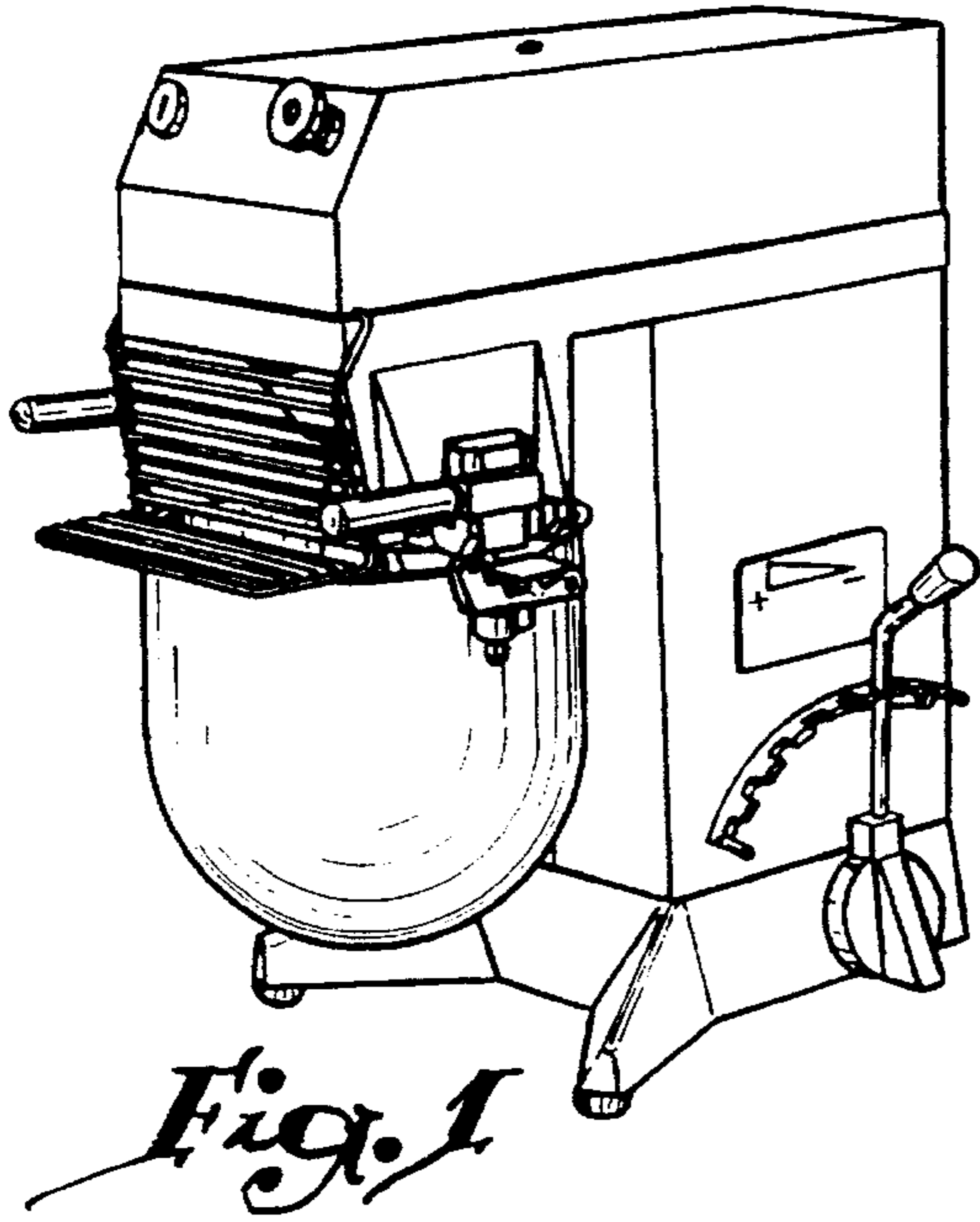
[56] **References Cited**

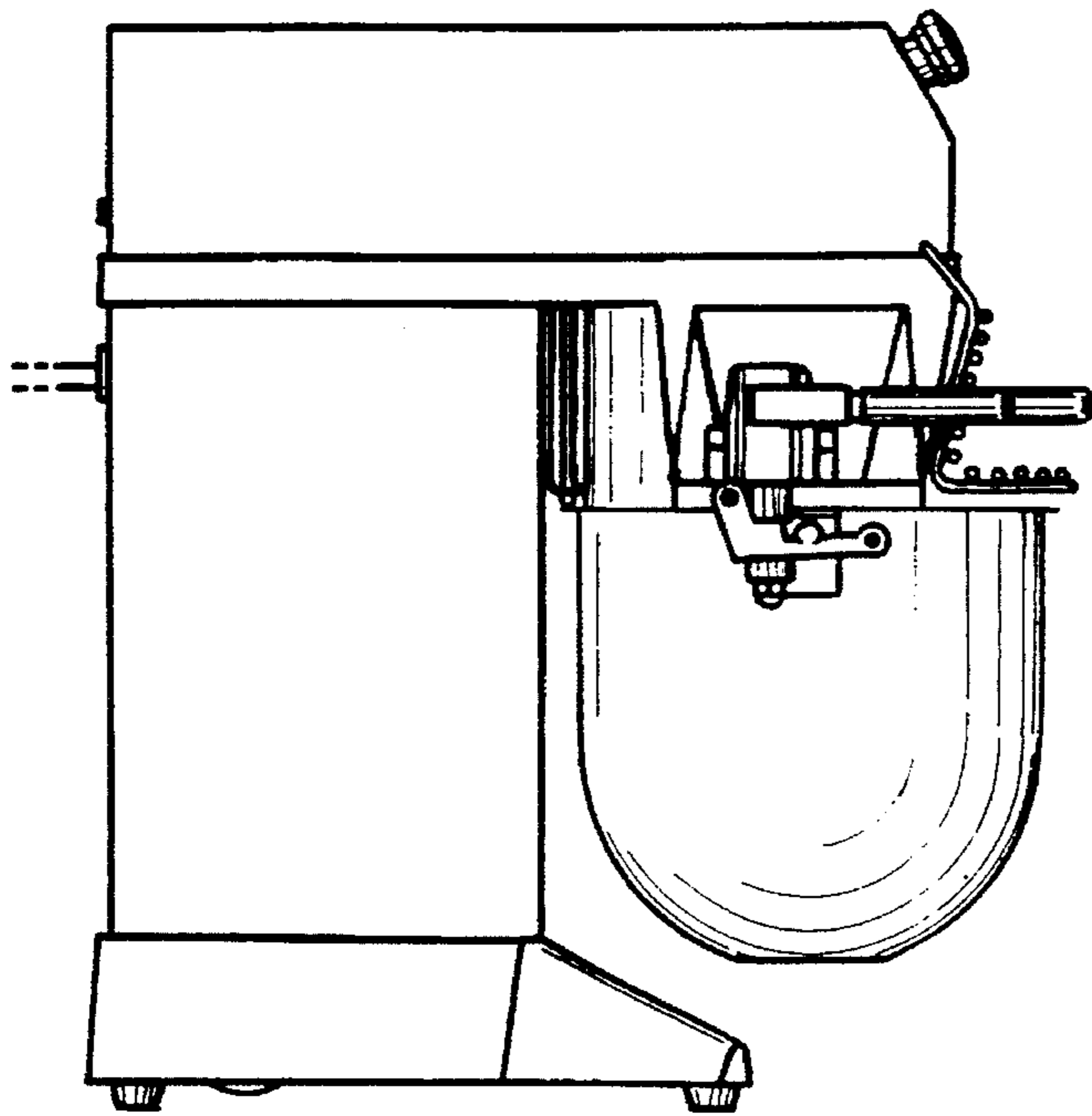
**U.S. PATENT DOCUMENTS**

D. 111,616	10/1938	Rosengren	.....	D7/379
D. 163,423	5/1951	Schimanski	.....	D7/379

**1 Claim, 2 Drawing Sheets**

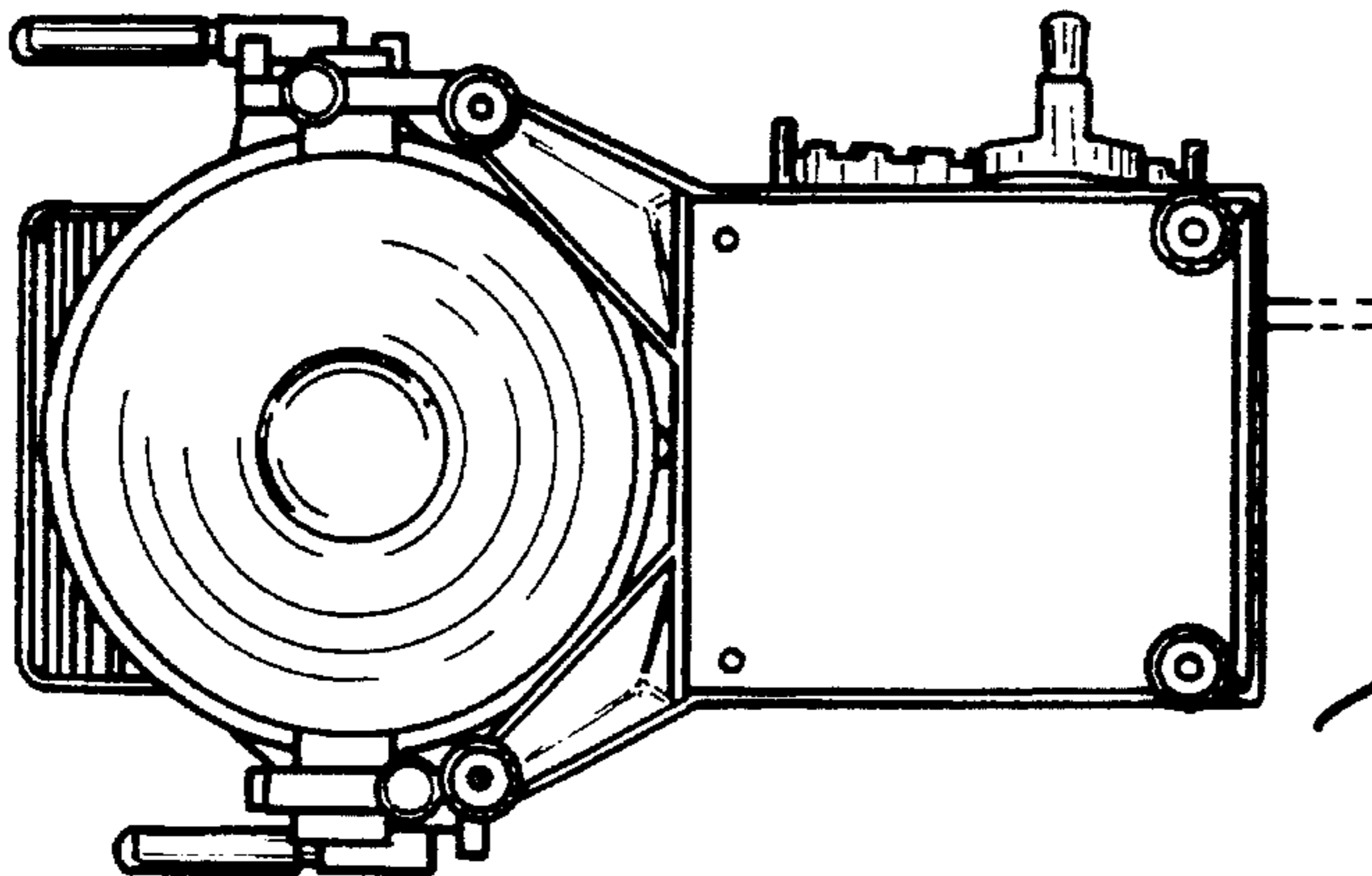
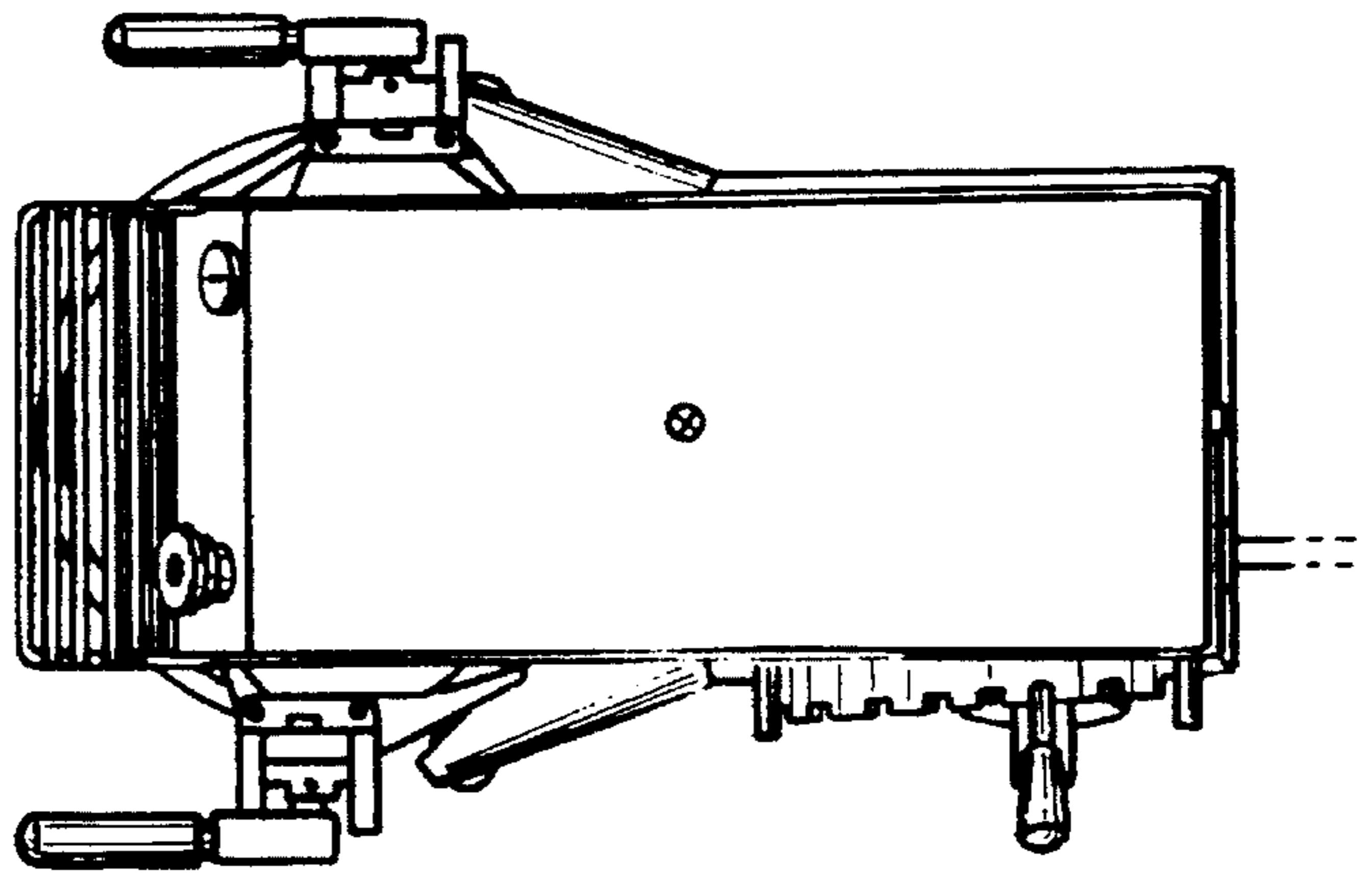






*Fig. 5*

*Fig. 6*



*Fig. 7*