



US00D371261S

United States Patent [19]

Walters, III et al.

[11] Patent Number: **Des. 371,261**

[45] Date of Patent: ****Jul. 2, 1996**

[54] **TABLE**

[75] Inventors: **Guy A. Walters, III**, High Point; **Avis E. Tobin, Jr.**, Thomasville, both of N.C.

[73] Assignee: **Thomasville Furniture Industries, Inc.**, Thomasville, N.C.

[**] Term: **14 Years**

[21] Appl. No.: **29,976**

[22] Filed: **Oct. 20, 1994**

[52] U.S. Cl. **D6/480; D6/511**

[58] Field of Search D6/480-489, 495, D6/497, 499, 511; 108/153, 155, 156, 157, 161

[56] **References Cited**

U.S. PATENT DOCUMENTS

D. 129,485	9/1941	Jiranek	D6/484
D. 164,075	7/1951	Wallance	D6/480
D. 182,911	5/1958	Lubberts et al.	D6/480

OTHER PUBLICATIONS

Heywood Wakefield, Cliff House, p. 8, table M151G1 at top. IKEA, c1992, p. 150, #4 Stockholm table.

Ethan Allen, c1992, #5 table.

Thomasville American Oak Catalog, p. 16, 19 Apr. 1991.

Primary Examiner—Janice E. Seeger

Attorney, Agent, or Firm—Rhodes, Coats & Bennett

[57] **CLAIM**

The ornamental design for a table, as shown and described.

DESCRIPTION

FIG. 1 is a front perspective view of a table showing our new design;

FIG. 2 is a partial perspective of one leg thereof;

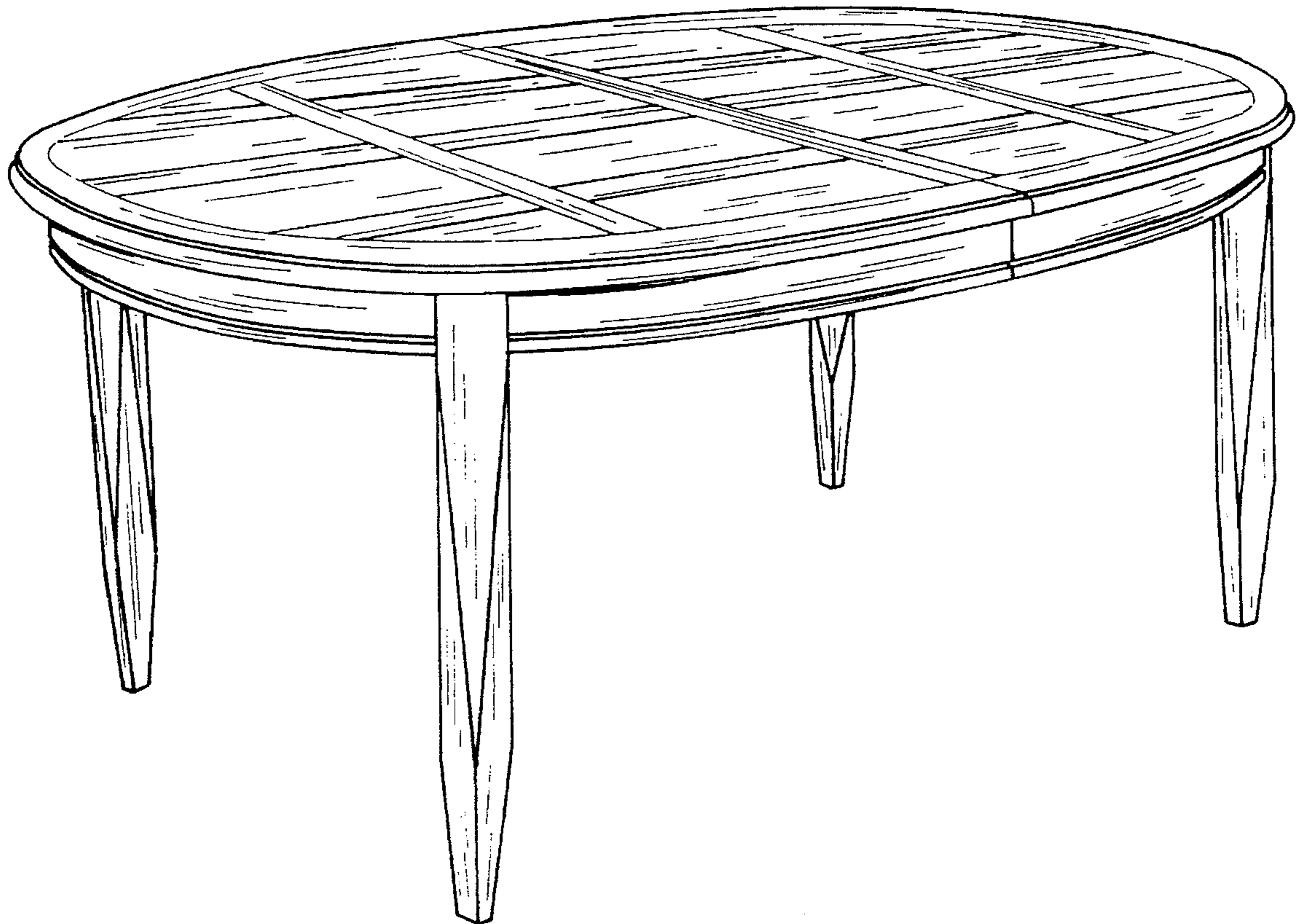
FIG. 3 is a side elevational view thereof;

FIG. 4 is a top view thereof; and,

FIG. 5 is a second partial perspective of one leg thereof.

The bottom portion of the design is plain and unornamented.

1 Claim, 5 Drawing Sheets



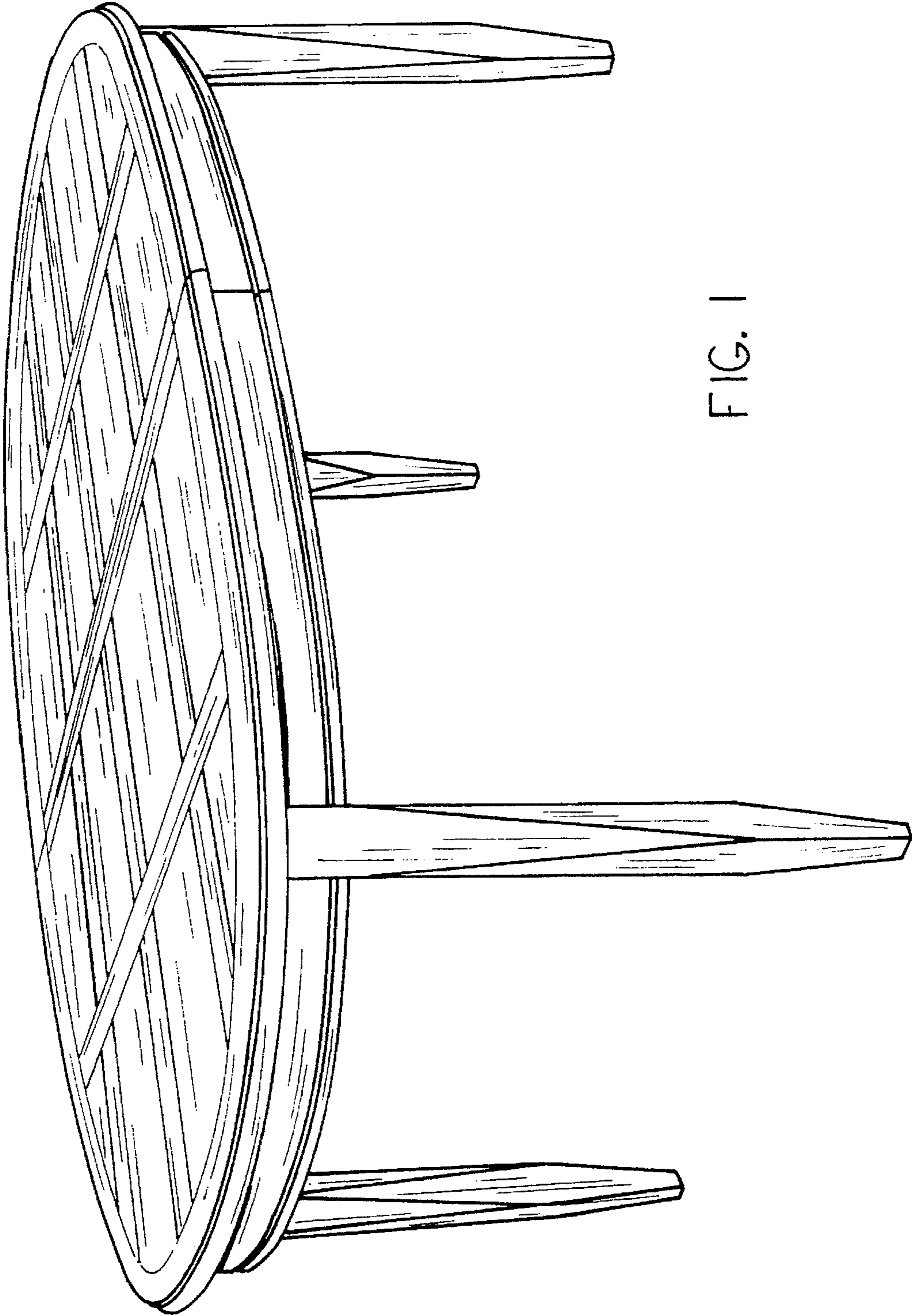


FIG. 1

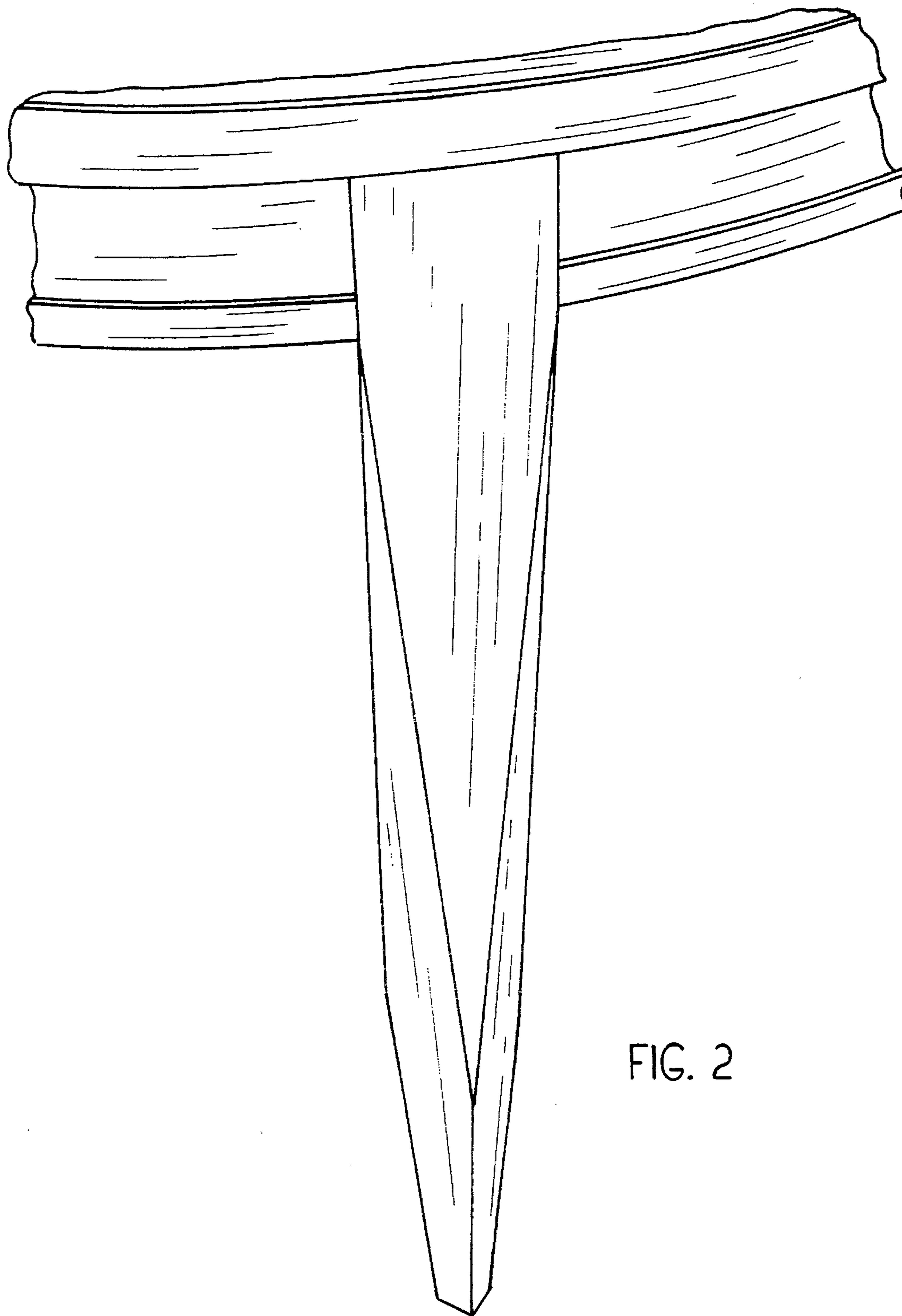


FIG. 2

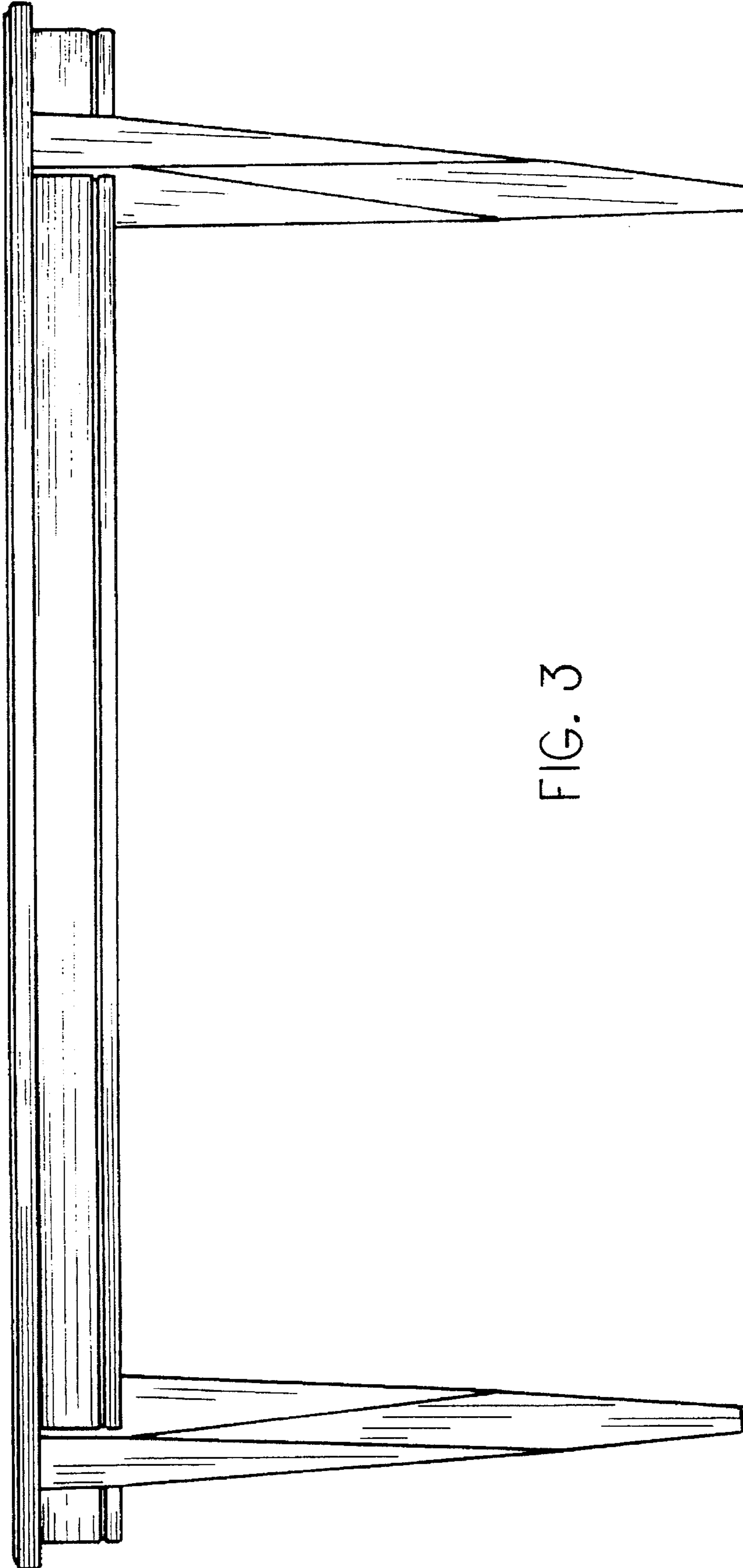


FIG. 3

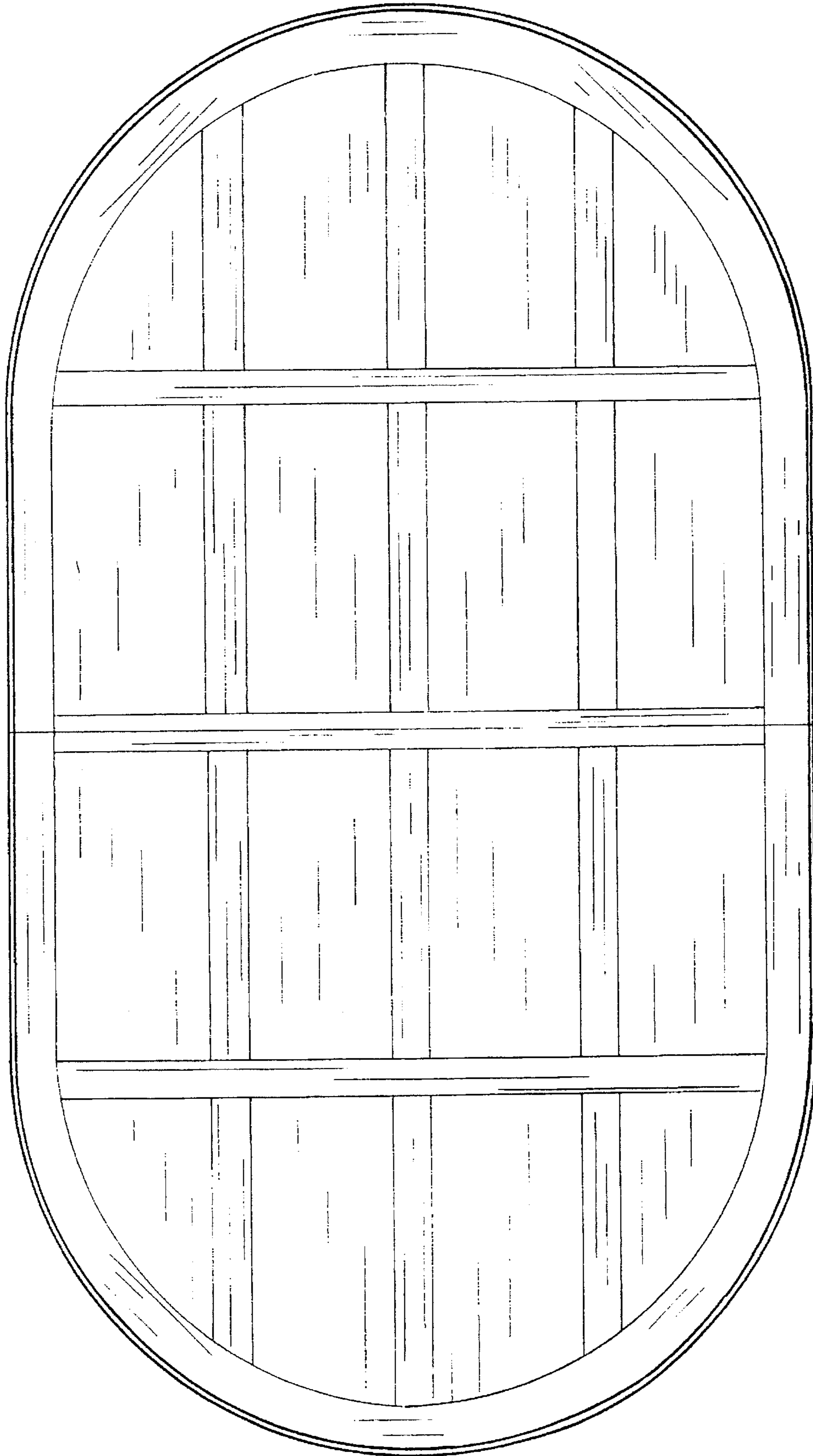


FIG. 4

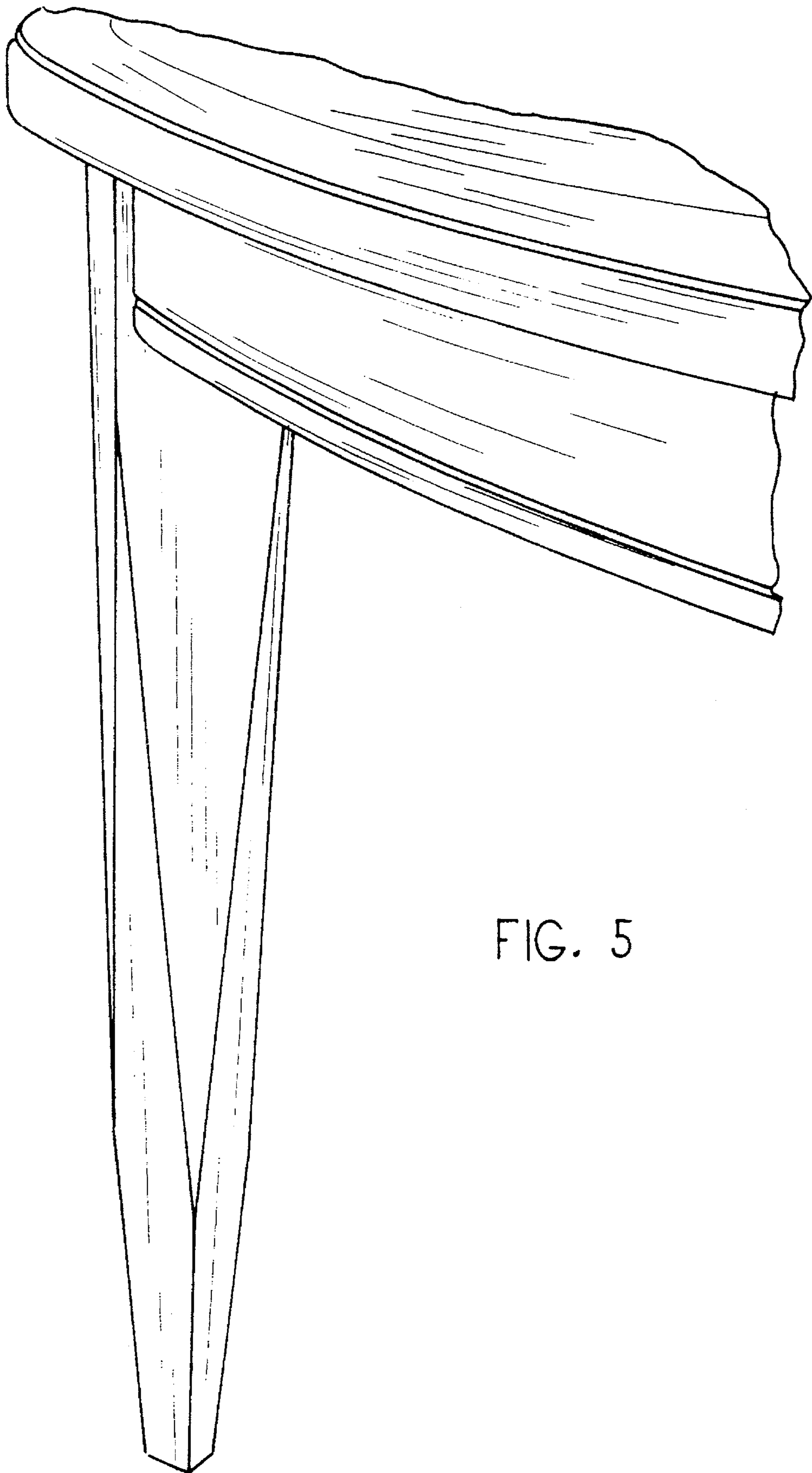


FIG. 5