



US00D371260S

United States Patent [19]

Walters, III et al.

[11] Patent Number: **Des. 371,260**

[45] Date of Patent: ****Jul. 2, 1996**

- [54] **TABLE**
- [75] Inventors: **Guy A. Walters, III**, High Point; **Avis E. Tobin, Jr.**, Thomasville, both of N.C.
- [73] Assignee: **Thomasville Furniture Industries, Inc.**, Thomasville, N.C.
- [**] Term: **14 Years**
- [21] Appl. No.: **30,006**
- [22] Filed: **Oct. 20, 1994**
- [52] U.S. Cl. **D6/480**
- [58] Field of Search D6/480-489, 495, D6/497, 499; 108/153, 155, 156, 157, 161

1,240,390 9/1917 Uhl 108/155
 1,738,429 12/1929 Heyman D6/452

OTHER PUBLICATIONS

Ethan Allen, c1992, p. 263, #3 table at top right.
 Chromcraft, P. MA1, table.
 Thomasville American Oak Catalog, p. 16 Apr. 1991.
 Cassina advertisement; date unknown.

Primary Examiner—Janice E. Seeger
Attorney, Agent, or Firm—Rhodes, Coats & Bennett

[57] CLAIM

The ornamental design for a table, as shown and described.

DESCRIPTION

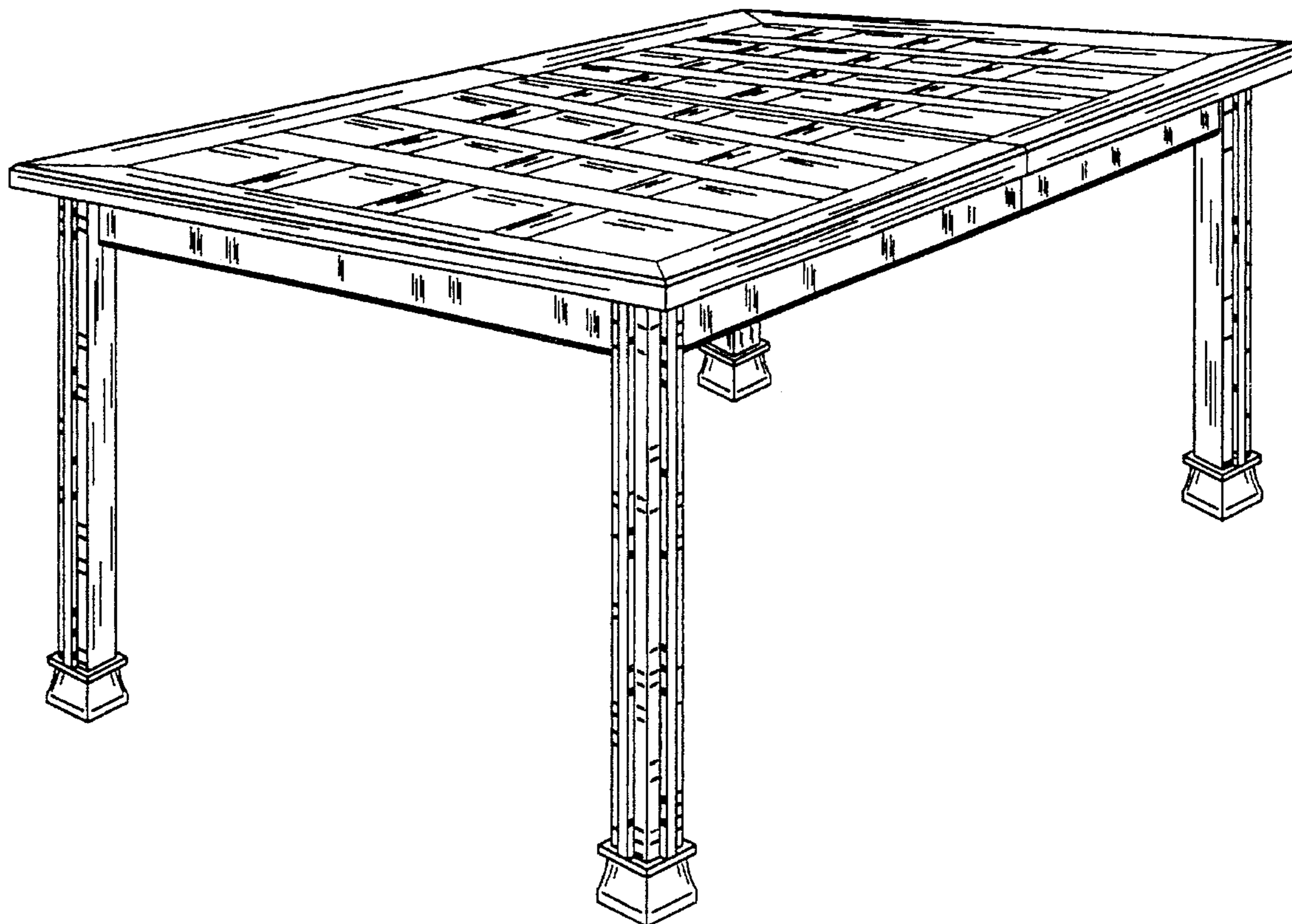
FIG. 1 is a front perspective view of a table showing our new design;
 FIG. 2 is a side elevational view thereof;
 FIG. 3 is an end view thereof; and,
 FIG. 4 is a top perspective view thereof.

1 Claim, 2 Drawing Sheets

[56] References Cited

U.S. PATENT DOCUMENTS

- D. 332,192 1/1993 Lewis D6/484
- D. 340,599 10/1993 Hollington D6/484
- D. 350,865 9/1994 Ward D6/484



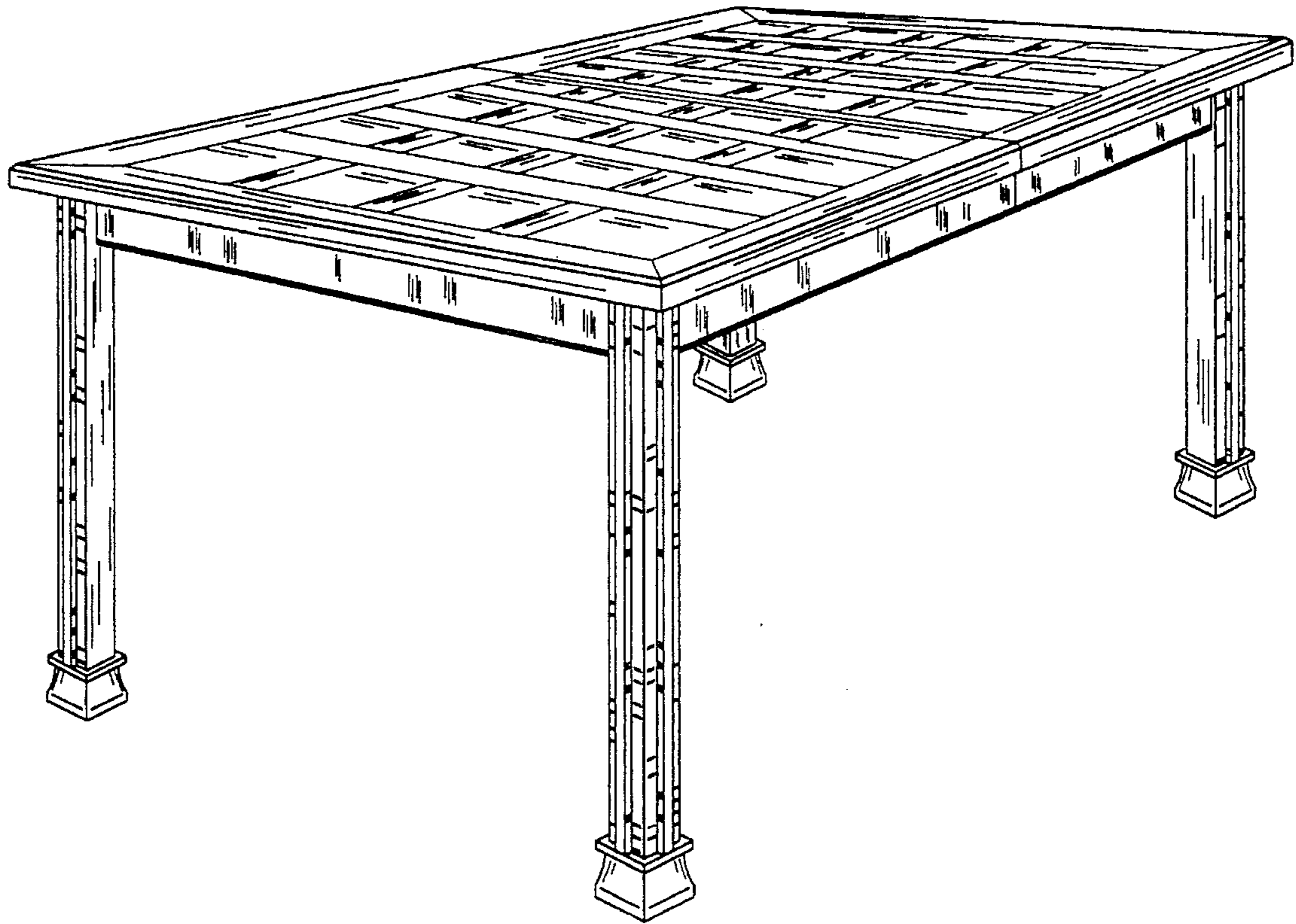


FIG. 1

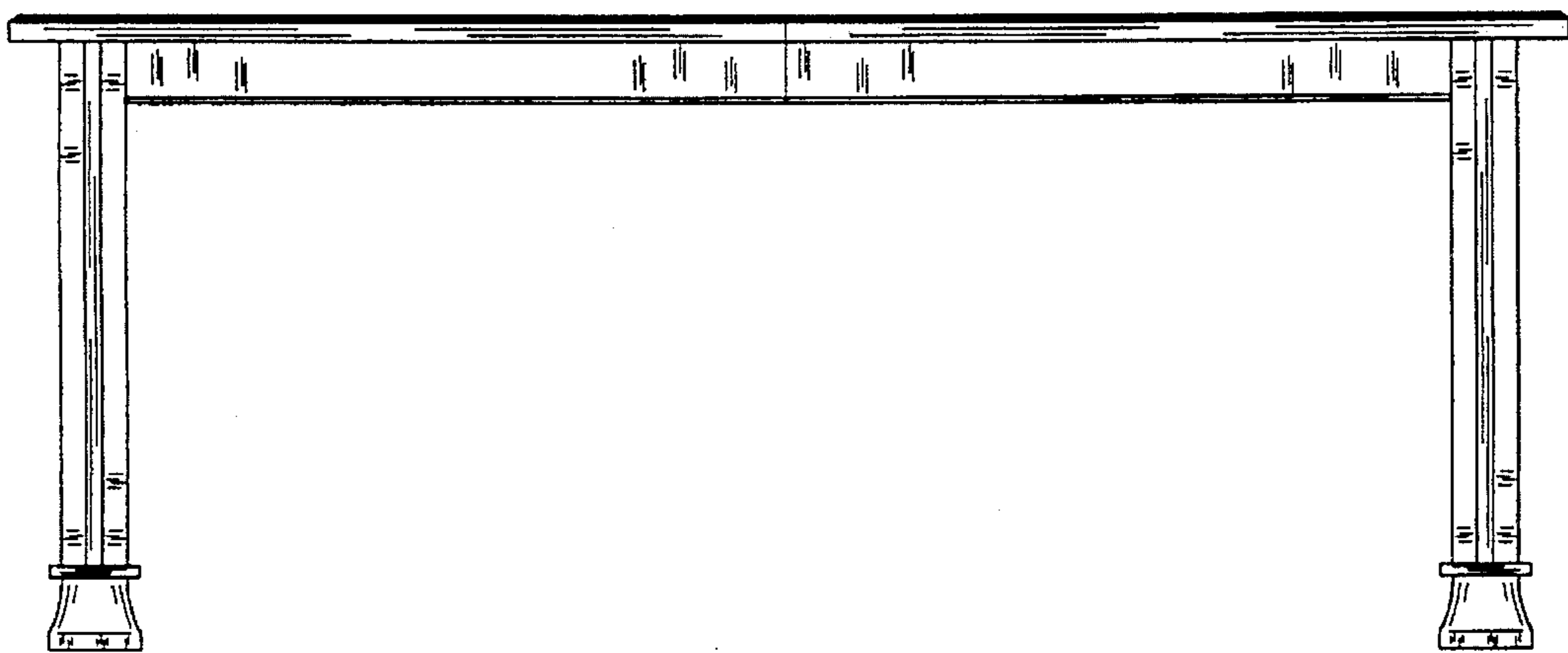


FIG. 2

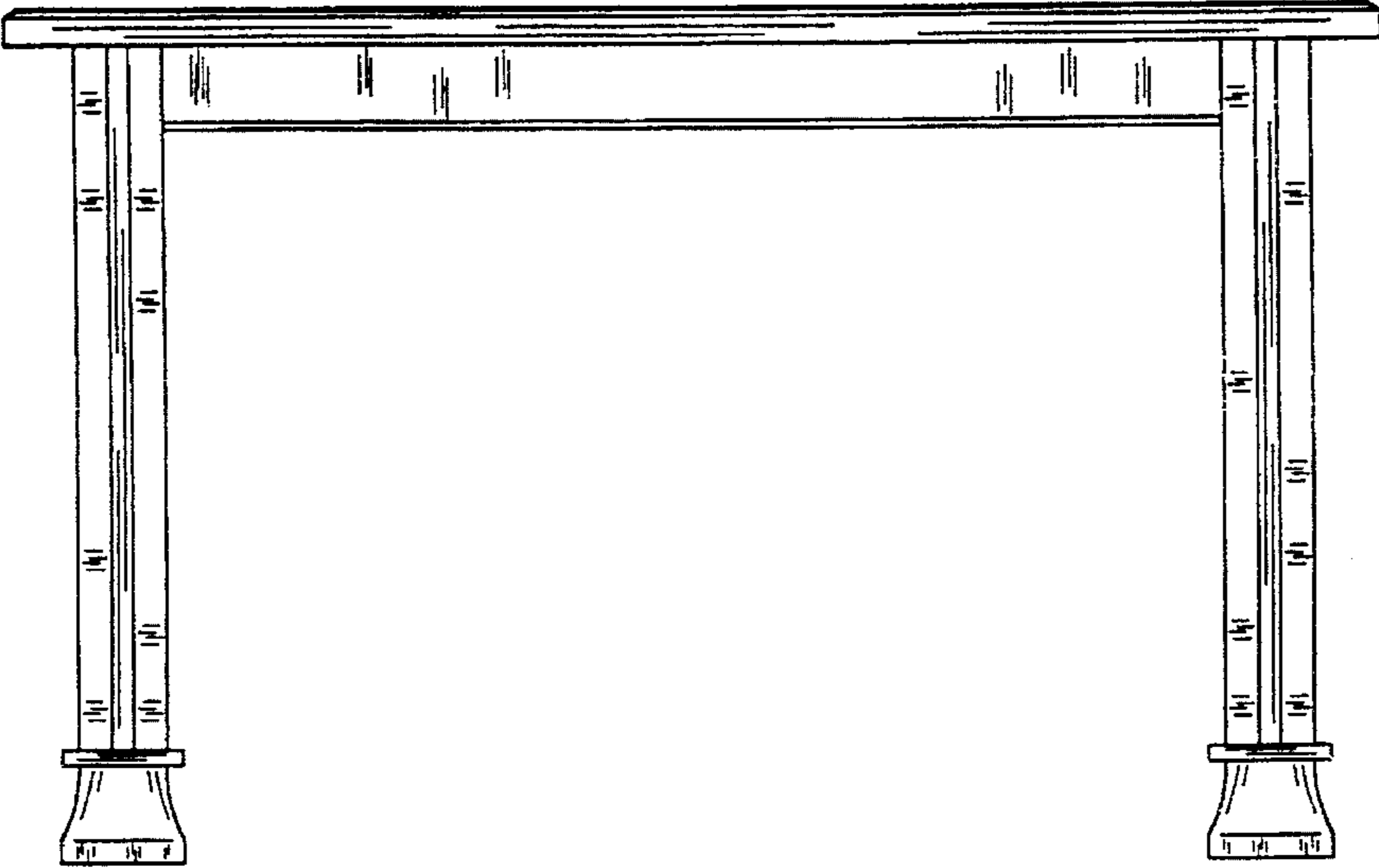


FIG. 3

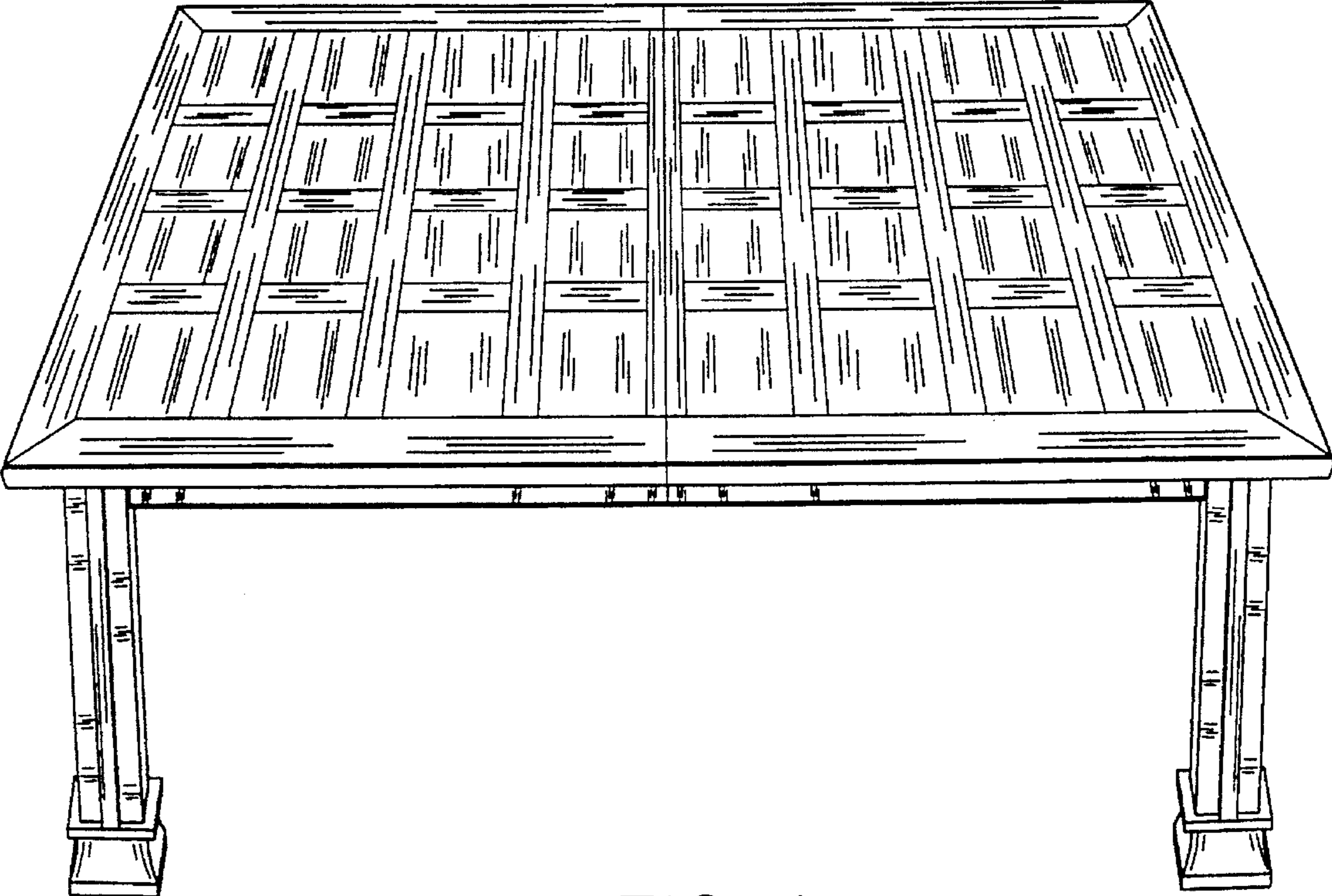


FIG. 4