



US00D371258S

**United States Patent** [19]  
**Horton**

[11] **Patent Number:** **Des. 371,258**  
[45] **Date of Patent:** **\*\*Jul. 2, 1996**

[54] **ILLUMINATED CORNER TABLE**  
[76] Inventor: **Renda Horton**, P.O. Box 72, Kiefer, Okla. 74041  
[\*\*] Term: **14 Years**  
[21] Appl. No.: **37,577**  
[22] Filed: **Apr. 17, 1995**  
[52] **U.S. Cl.** ..... **D6/470**  
[58] **Field of Search** ..... D6/470, 449, 450, D6/451, 480, 482; 312/195, 114, 140.1, 237, 238; 108/50, 4, 61

*Primary Examiner*—Alan P. Douglas  
*Assistant Examiner*—S. Snapp  
*Attorney, Agent, or Firm*—Harold H. Dutton, Jr.; W. Charles L. Jamison; Diane F. Liebman

[57] **CLAIM**

The ornamental design for a illuminated corner table, as shown.

**DESCRIPTION**

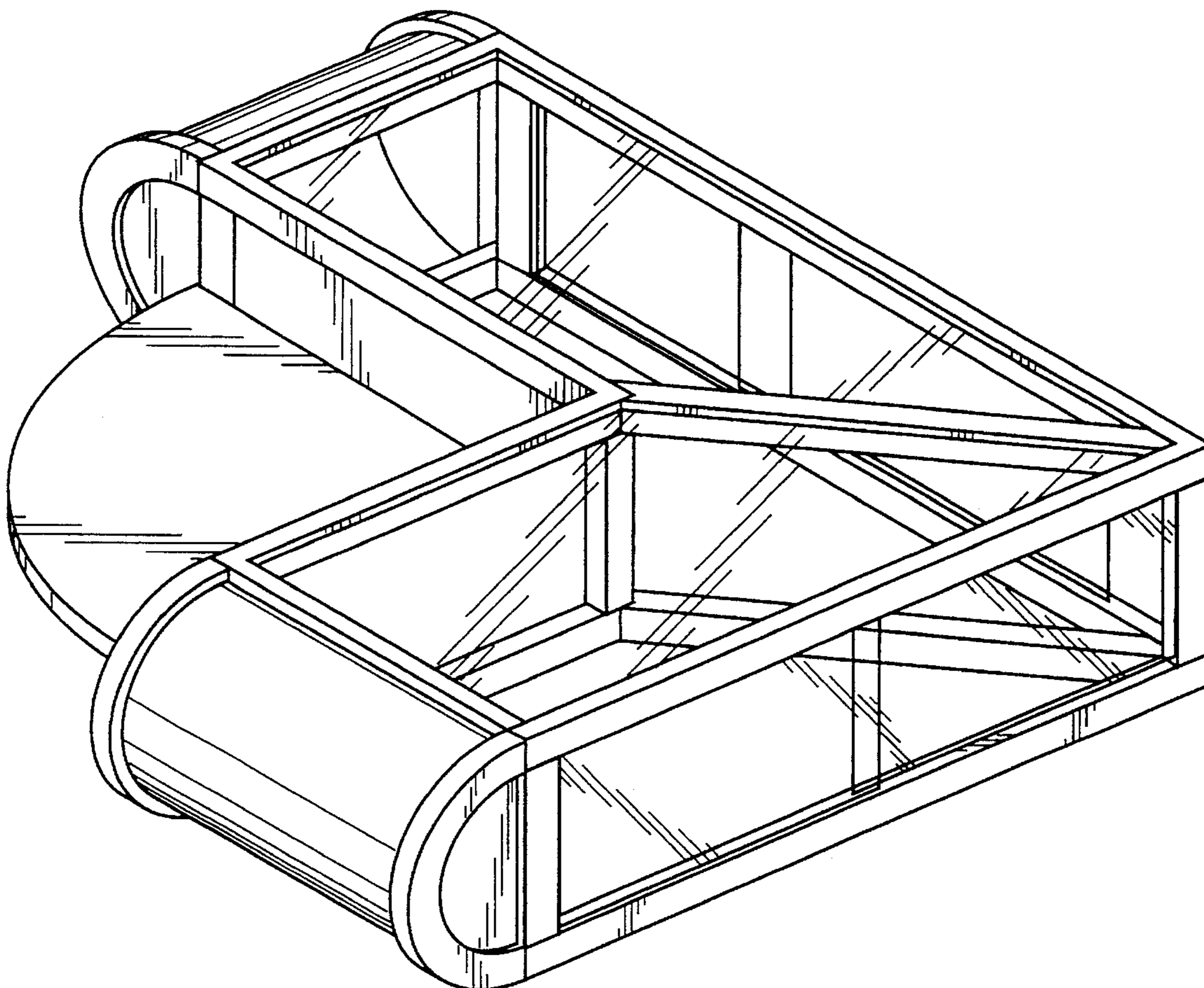
FIG. 1 is a perspective view of a illuminated corner table showing my new design;  
FIG. 2 is a top plan view thereof;  
FIG. 3 is a bottom view thereof;  
FIG. 4 is a right side view thereof; and,  
FIG. 5 is a left side view thereof.

[56] **References Cited**

**U.S. PATENT DOCUMENTS**

D. 134,687	12/1942	Waltman	.....	D6/470
D. 279,739	7/1985	Aspenwall	.....	D6/471
5,291,700	3/1994	Chew	.....	312/195 X

**1 Claim, 3 Drawing Sheets**



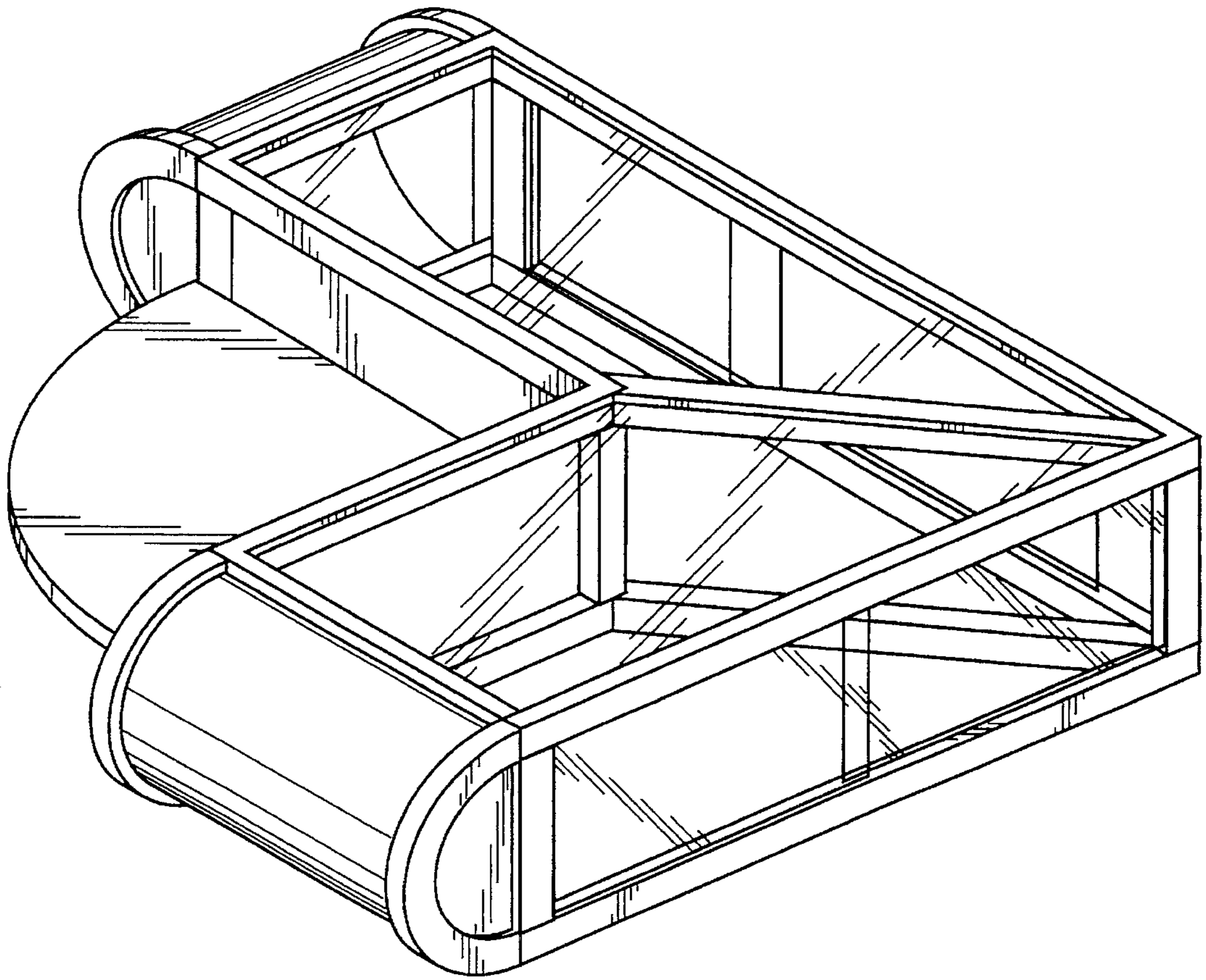


FIG. 1

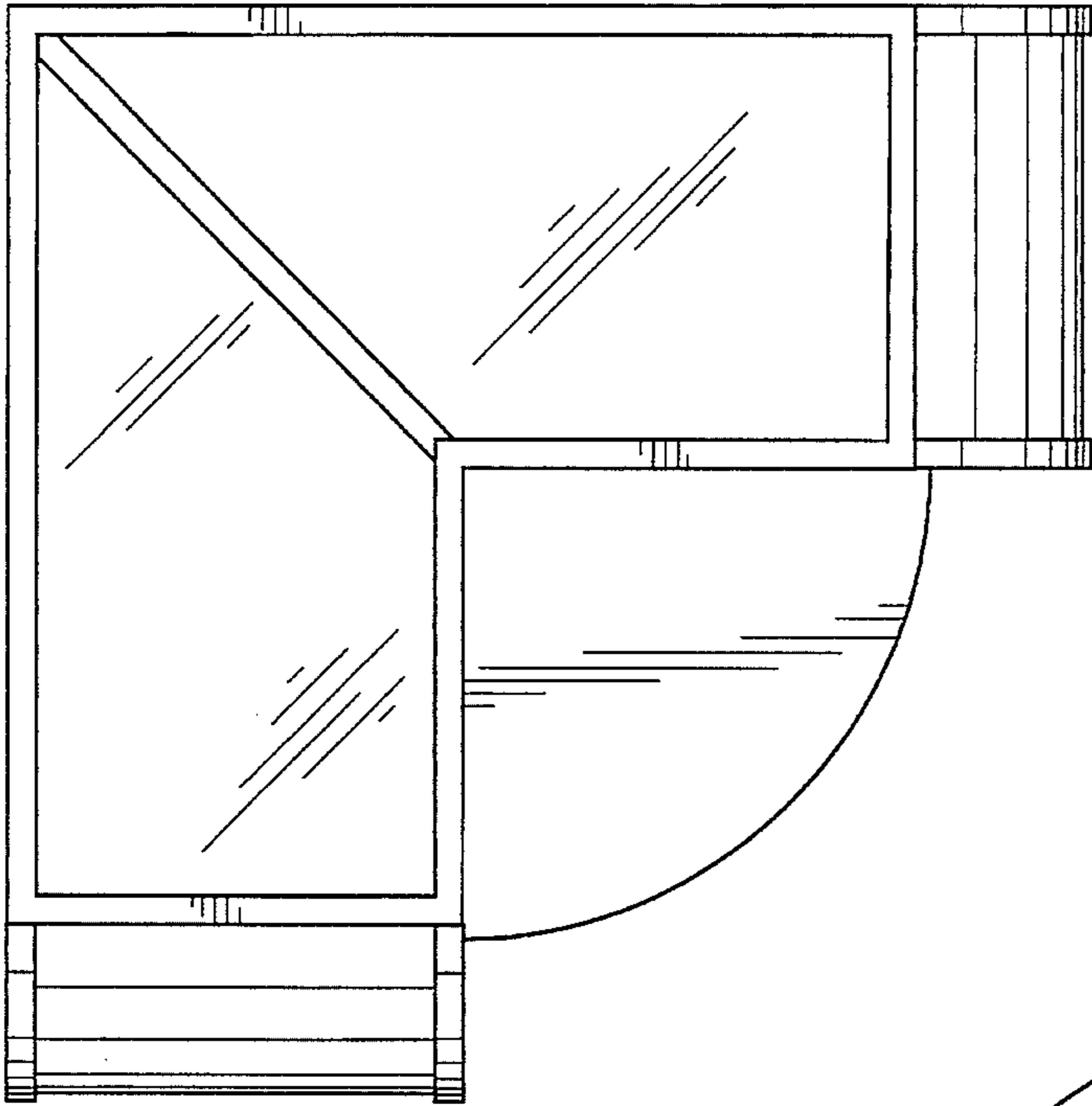


FIG. 2

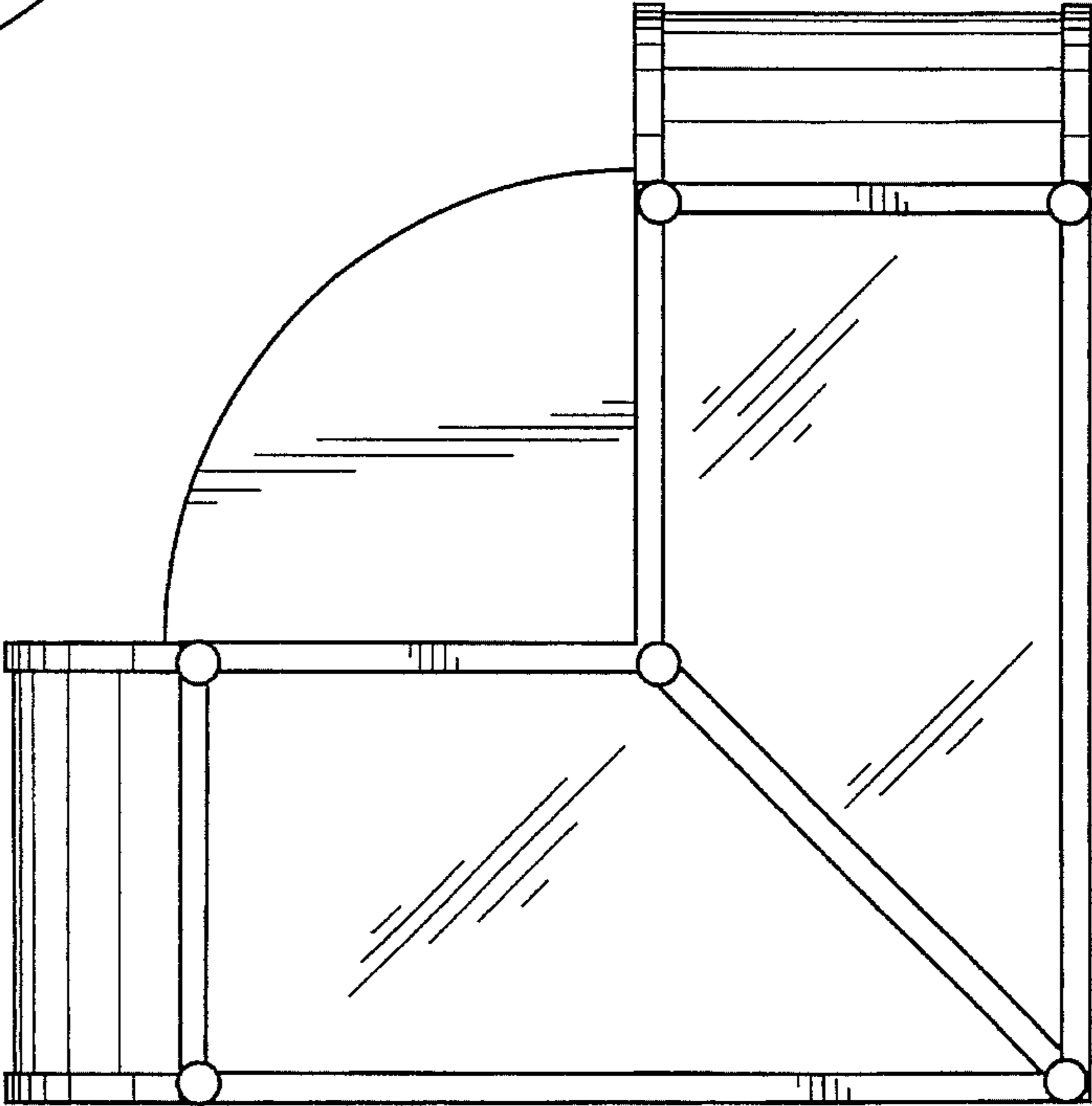


FIG. 3

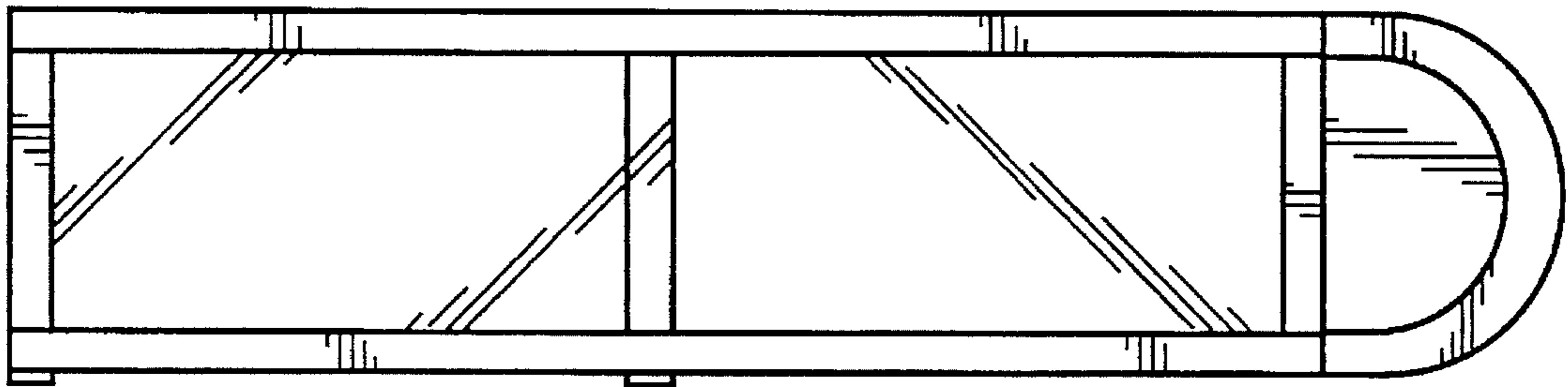


FIG. 4

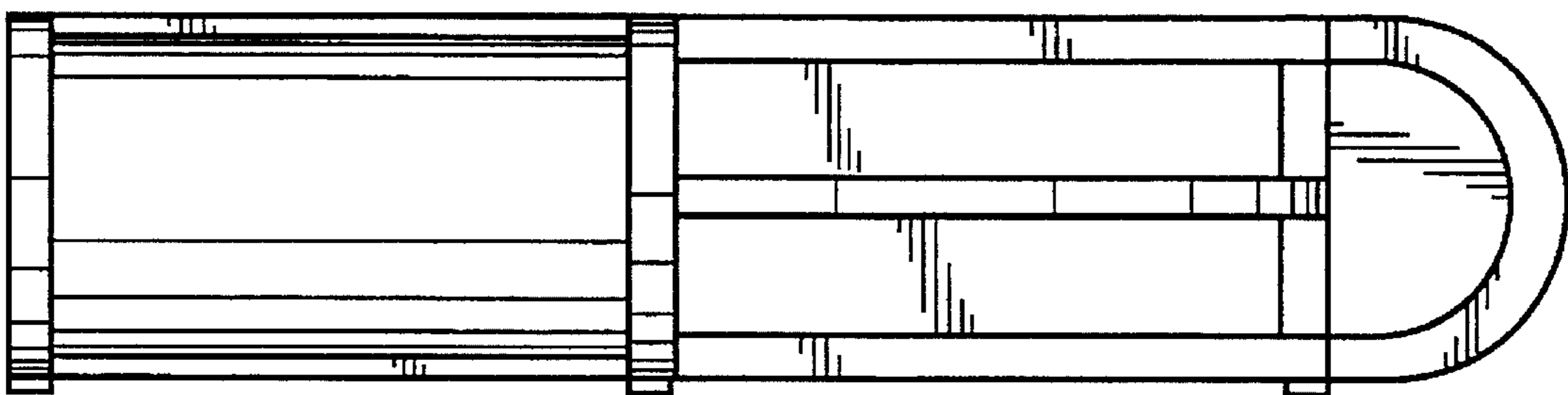


FIG. 5