



US00D371255S

United States Patent [19]

[11] Patent Number: **Des. 371,255**

Richard

[45] Date of Patent: ****Jul. 2, 1996**

[54] ERGONOMIC COMPUTER WORKSTATION

[76] Inventor: **Paul E. Richard**, 109 Madison Ct., North Wales, Pa. 19454

[**] Term: **14 Years**

[21] Appl. No.: **12,502**

[22] Filed: **Sep. 2, 1993**

[52] U.S. Cl. **D6/426**

[58] Field of Search D6/422-428, 474; 312/194-196; 108/59, 60, 105, 9, 10

[56] References Cited

U.S. PATENT DOCUMENTS

D. 273,449	4/1984	Wieczorek	D6/474 X
D. 323,437	1/1992	Hashimoto et al.	D6/426 X
D. 327,790	7/1992	Sharar	D6/422
4,852,500	8/1989	Ryburg et al. .	
5,033,804	7/1991	Faris .	
5,041,770	8/1991	Seller et al. .	
5,044,284	9/1991	Gross .	
5,071,204	12/1991	Price et al. .	

OTHER PUBLICATIONS

Microcomputer Accessories by Rubbermaid Aug. 1991; corner keying unit #5415 on page.

Primary Examiner—Carmen H. Vales-Lado
Attorney, Agent, or Firm—Charles A. Wilkinson

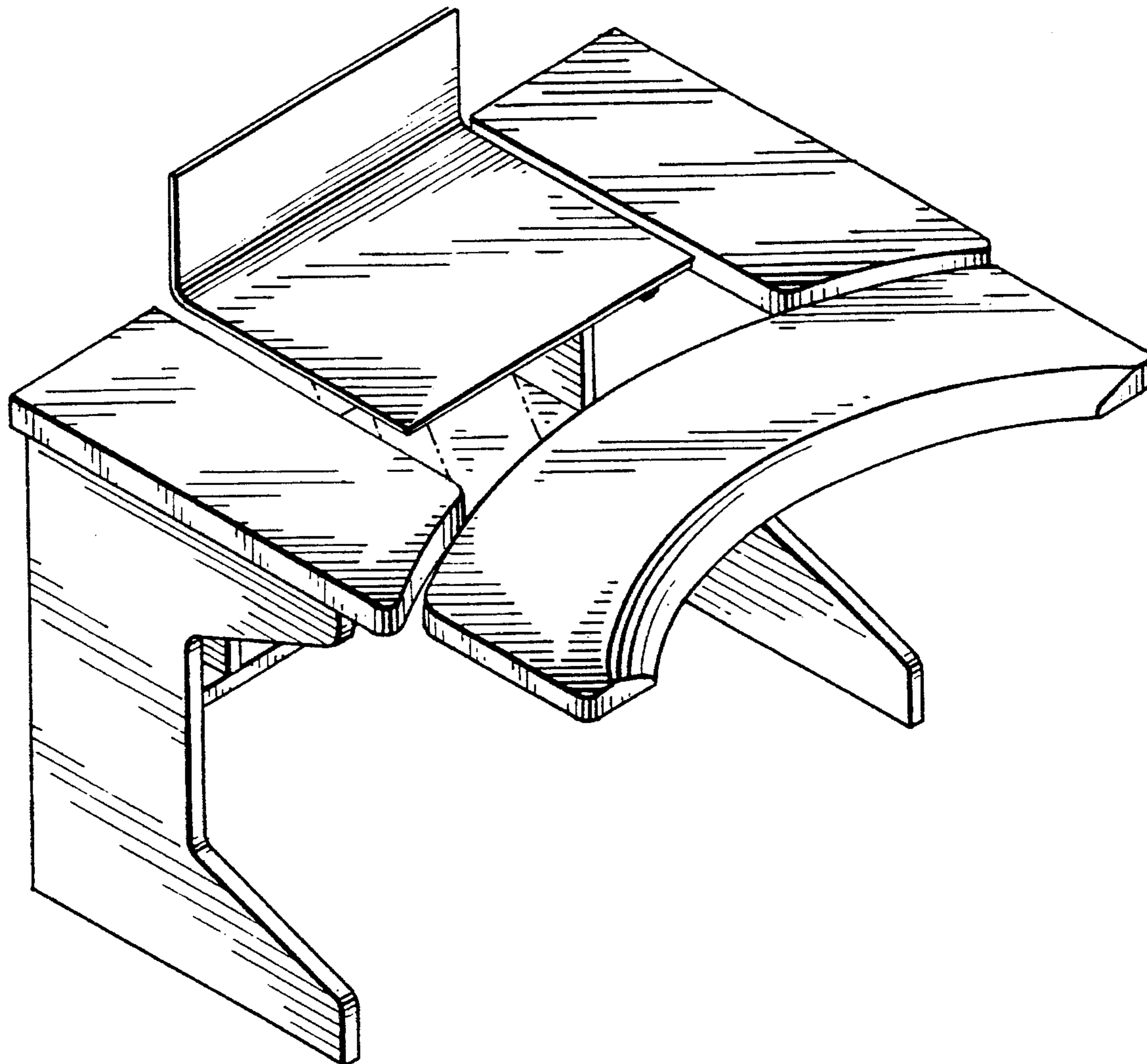
[57] CLAIM

The ornamental design for an ergonomic computer workstation, as shown and described.

DESCRIPTION

FIG. 1 is a perspective view of an ergonomic computer workstation showing my new design; FIG. 2 is a side elevational view, the opposite side being a mirror image thereof; FIG. 3 is a top plan view thereof; and, FIG. 4 is a rear elevational view thereof. Structure not a part of the ornamental design, but necessary to support structures which are part of the ornamental design is shown in broken lines in FIGS. 1, 2 and 4.

1 Claim, 2 Drawing Sheets



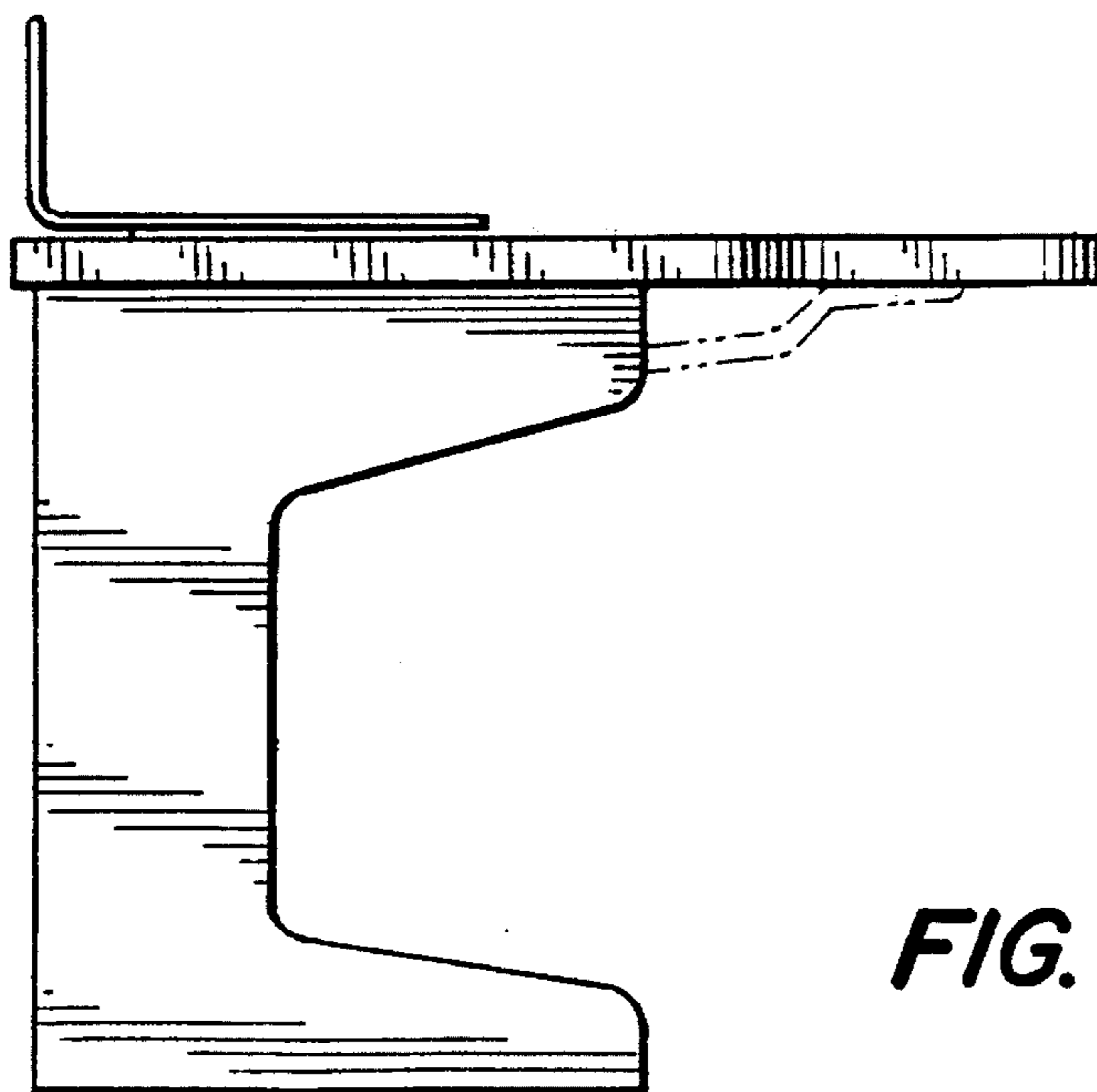
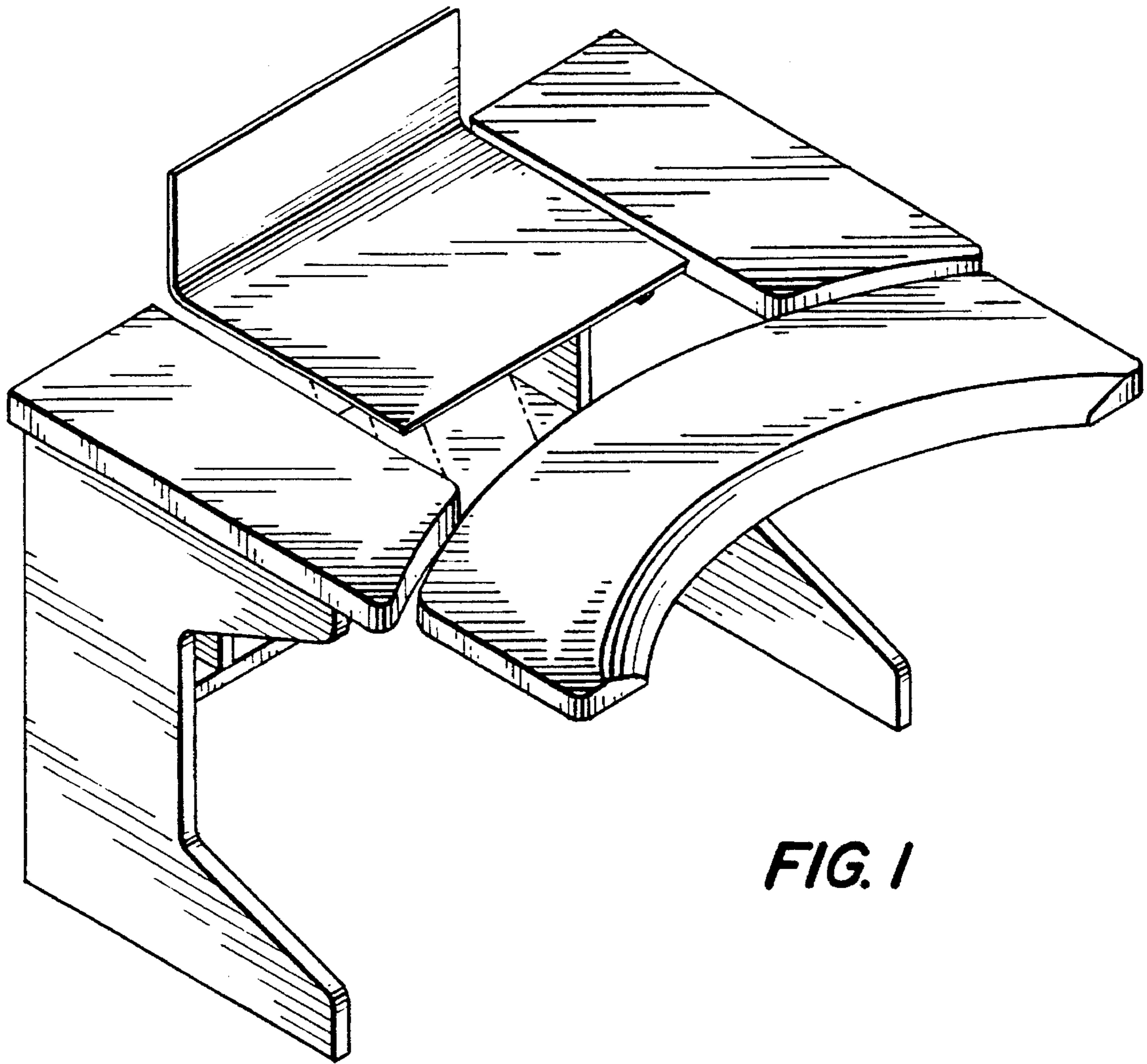


FIG. 3

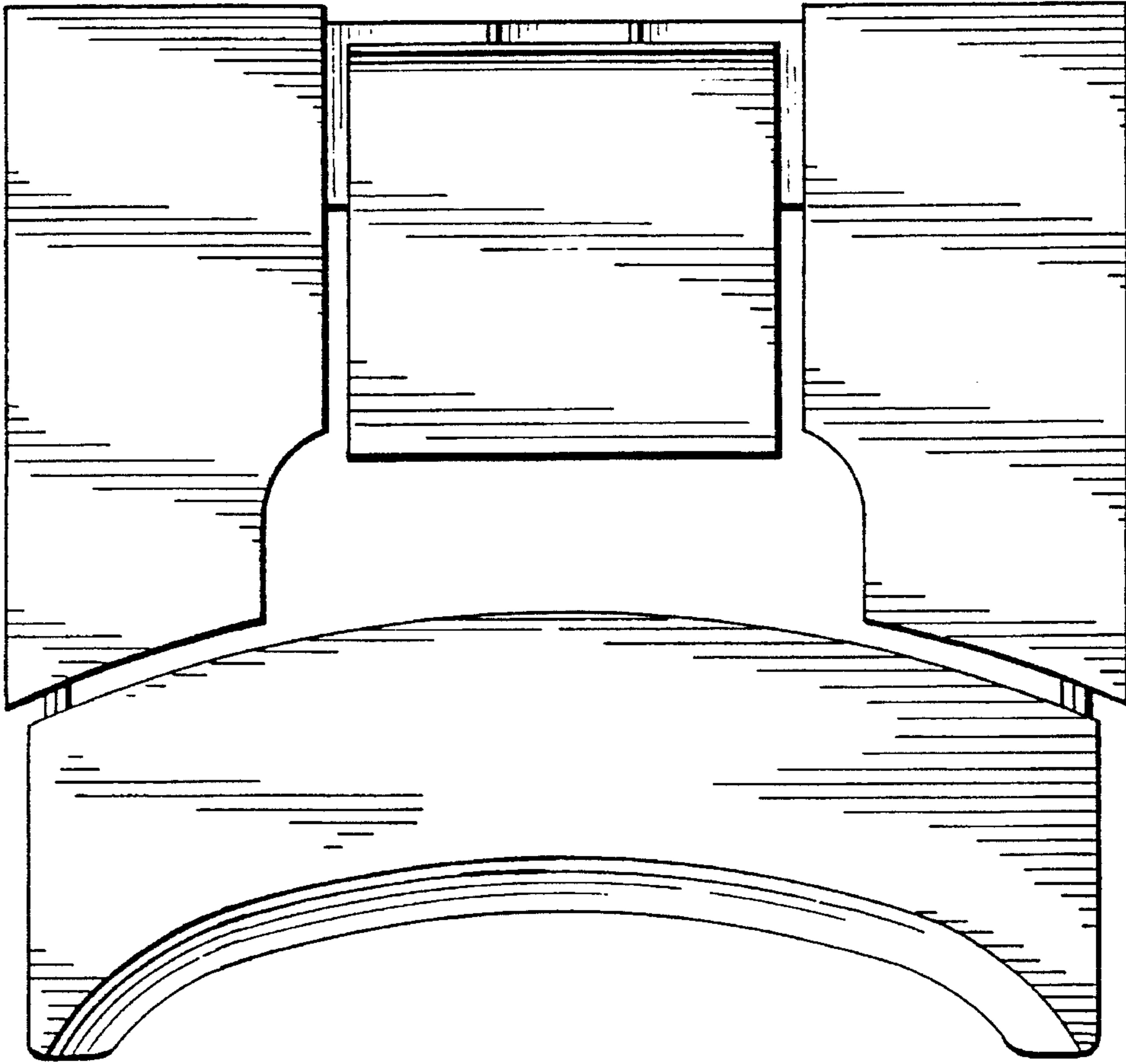


FIG. 4

