



US00D371244S

United States Patent [19]

[11] Patent Number: Des. 371,244

Weshler

[45] Date of Patent: **Jul. 2, 1996

[54] **DISPLAY FRAME**

[75] Inventor: **Benjamin S. Weshler**, Old Westbury, N.Y.

[73] Assignee: **Display Systems, Inc.**, Maspeth, N.Y.

[**] Term: **14 Years**

[21] Appl. No.: **39,826**

[22] Filed: **Jun. 6, 1995**

[52] U.S. Cl. **D6/314; D6/300; D6/632; D6/634; D6/635**

[58] Field of Search **D6/300-303, 308, D6/314, 632, 634, 470; D20/10, 42; 40/152, 152.1, 154-156, 661, 530; 206/307, 454**

[56] **References Cited**

U.S. PATENT DOCUMENTS

D. 271,168	11/1983	Antonczyk	D6/300
D. 292,851	11/1987	Krone	D6/300
D. 293,507	1/1988	Ogusu	D6/634 X
3,680,239	8/1972	Andrews	40/152.1
5,068,987	12/1991	Tontarelli	40/152.1

Primary Examiner—Janice E. Seeger
Attorney, Agent, or Firm—Vincent L. Carney

[57] **CLAIM**

The ornamental design for a display frame, as shown and described.

DESCRIPTION

FIG. 1 is a perspective view of a display frame showing the

front, top and left side of my new design;

FIG. 2 is a perspective view of a display frame showing the back, top and right side of my new design;

FIG. 3 is a front elevational view of the embodiment of FIGS. 1 and 2;

FIG. 4 is a rear elevational view of the embodiment of FIGS. 1 and 2;

FIG. 5 is a left side elevational view of the embodiment of FIG. 1;

FIG. 6 is a right side elevational view of the embodiment of FIG. 2;

FIG. 7 is a top view of the embodiment of FIGS. 1 and 2;

FIG. 8 is a bottom view of the embodiment of FIGS. 1 and 2;

FIG. 9 is a perspective view showing the front, top and left side, of the embodiment of FIG. 1, with the back open;

FIG. 10 is a perspective view showing the back, top and right side, of the embodiment of FIG. 1, with the back open;

FIG. 11 is a front elevational view of the embodiment of FIGS. 9 and 10, with the back open;

FIG. 12 is a rear elevational view of the embodiments of FIGS. 9 and 10 with the back open;

FIG. 13 is a right side elevational view of the embodiments of FIGS. 9 and 10 with the back open;

FIG. 14 is a top view of the embodiments of FIGS. 9 and 10 with the back open; and,

FIG. 15 is a bottom view of the embodiments of FIGS. 9 and 10 with the back open.

1 Claim, 4 Drawing Sheets

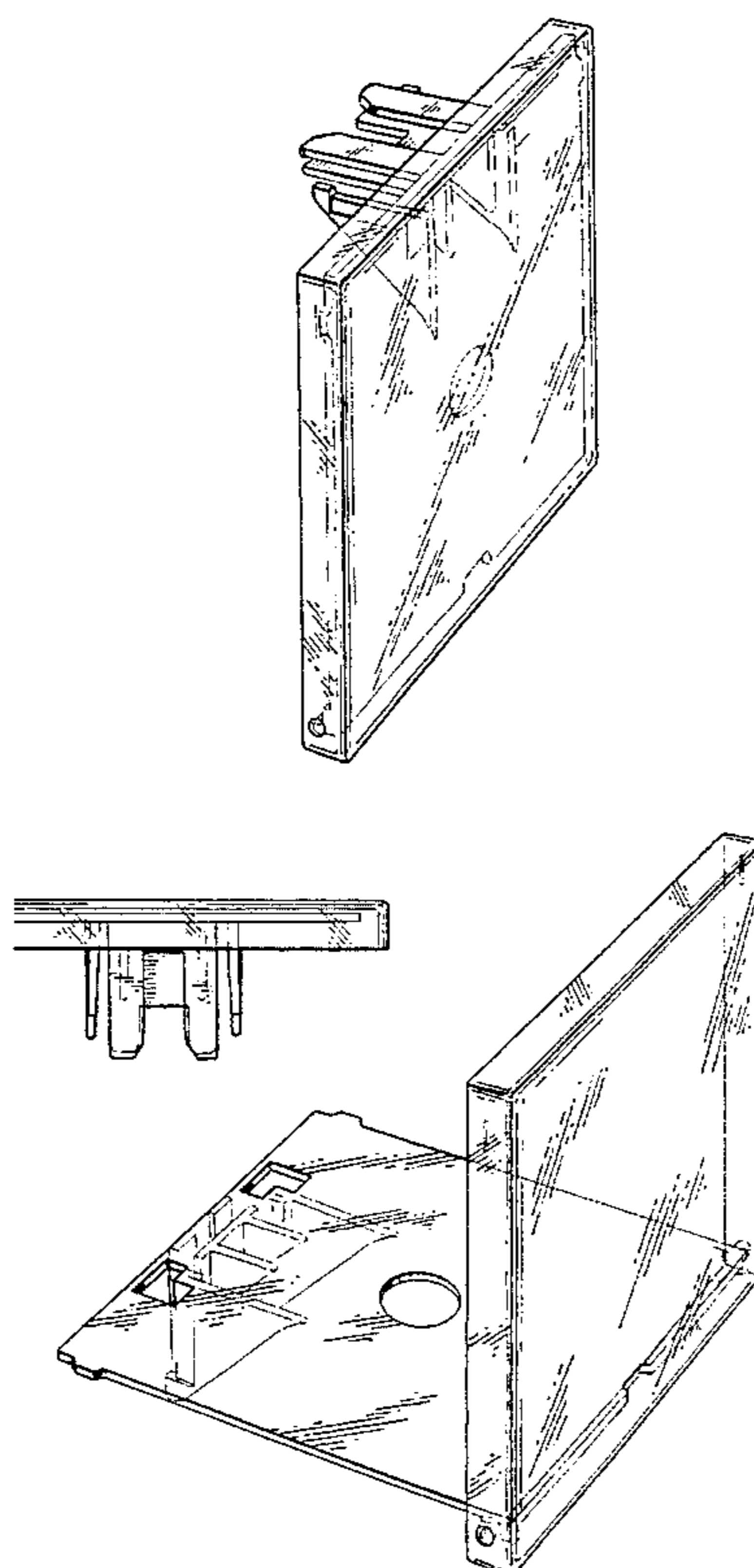


FIG. 1

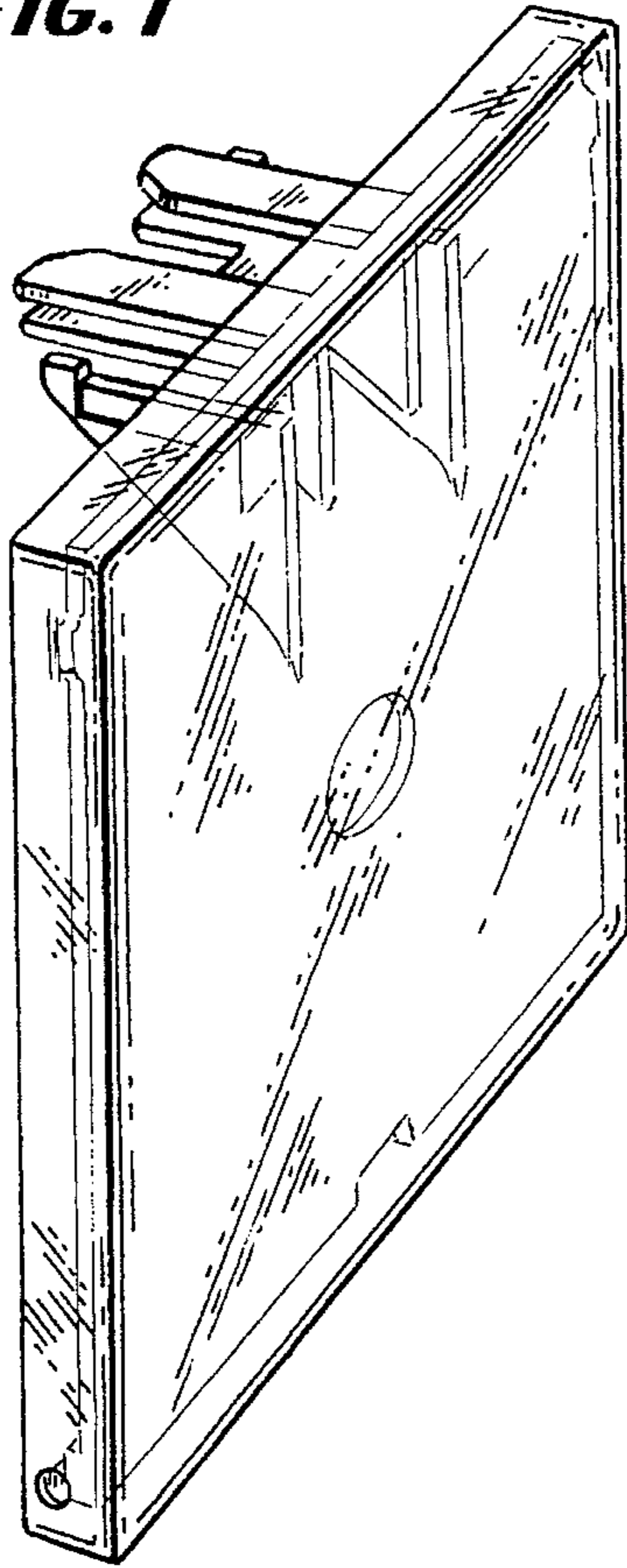


FIG. 2

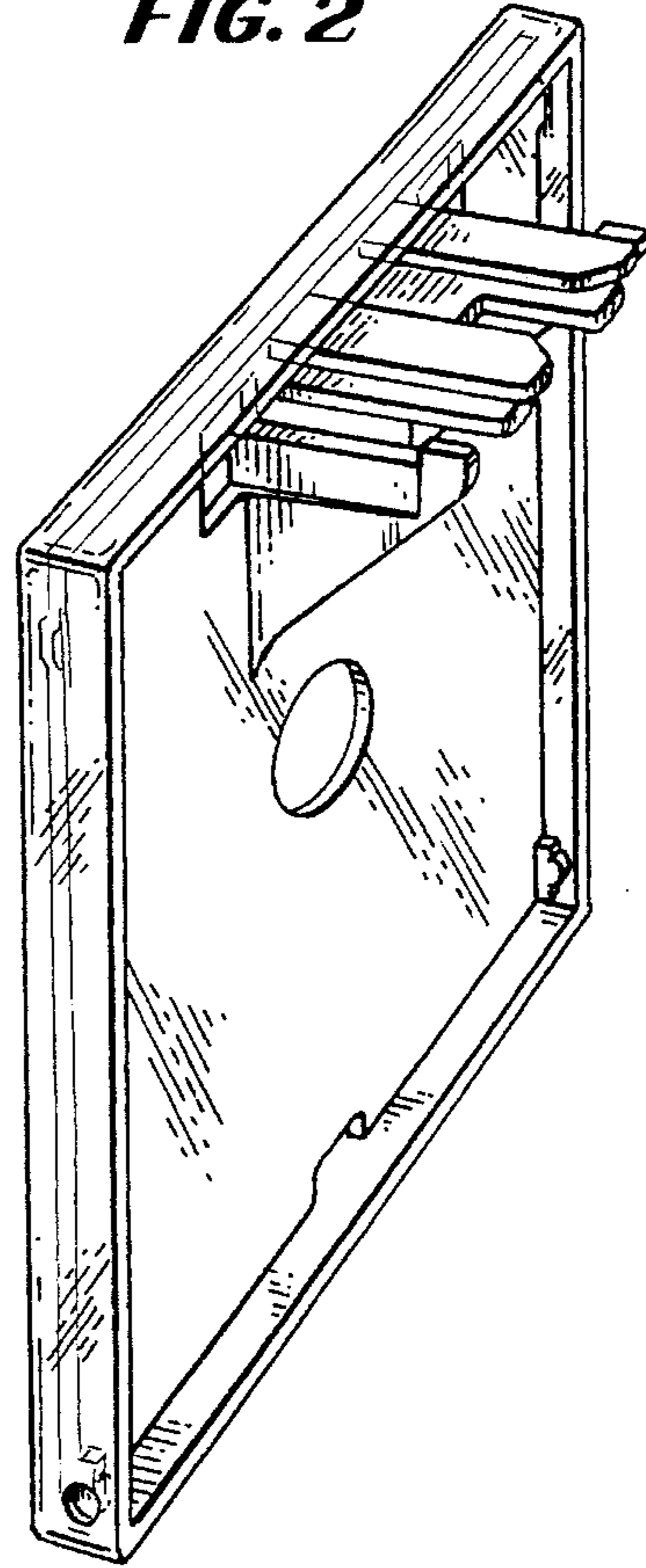


FIG. 3

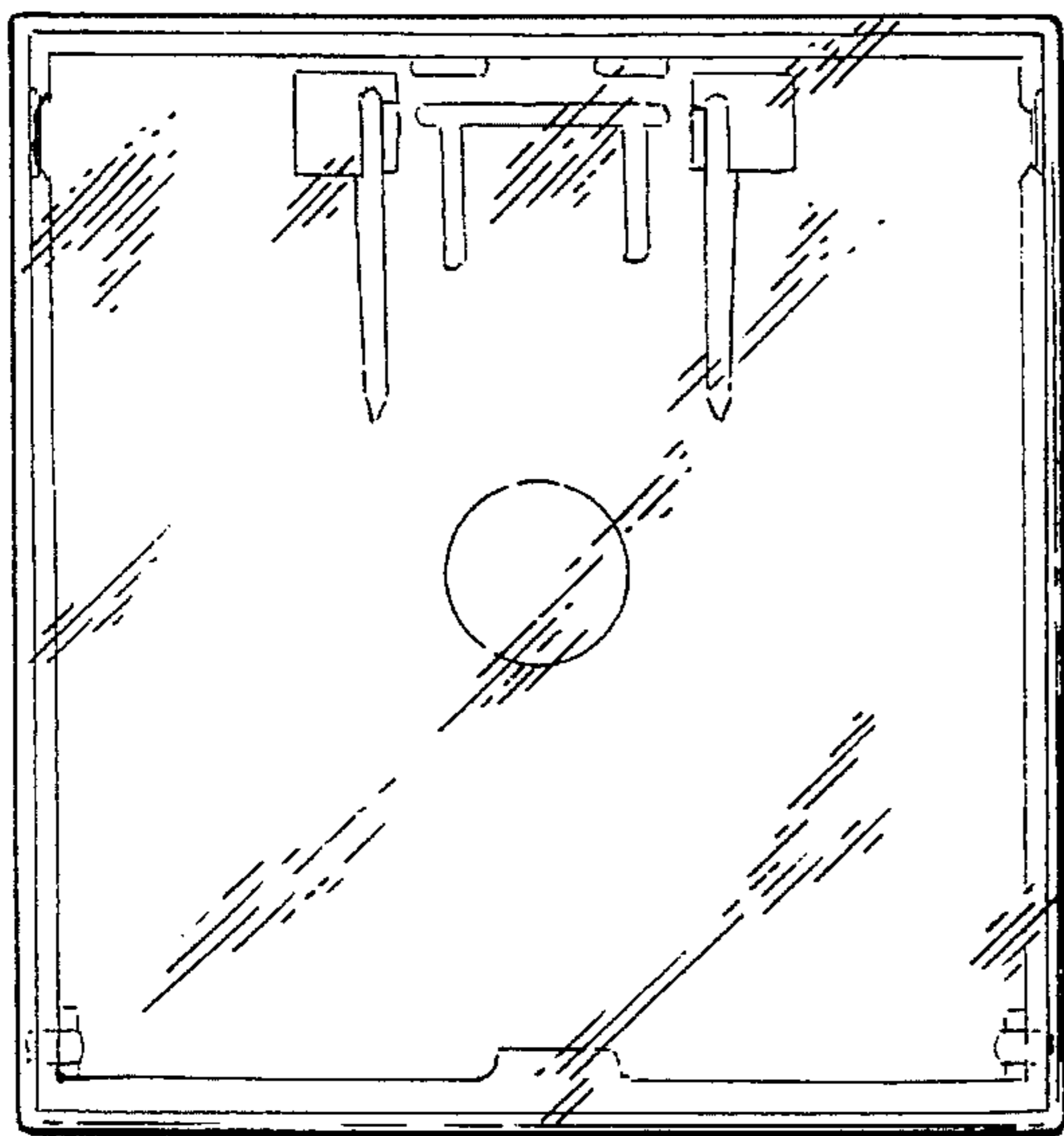


FIG. 4

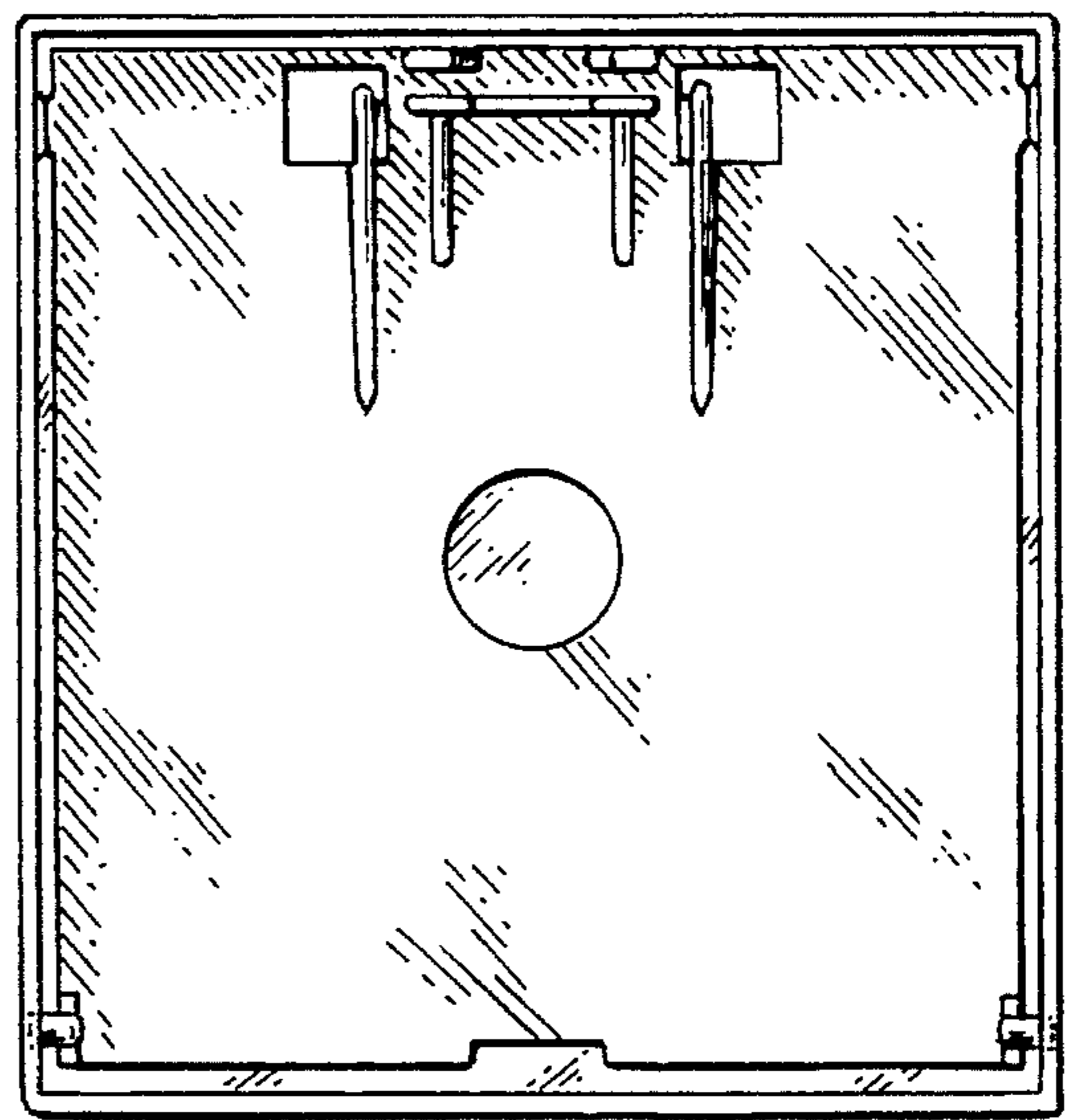


FIG. 5

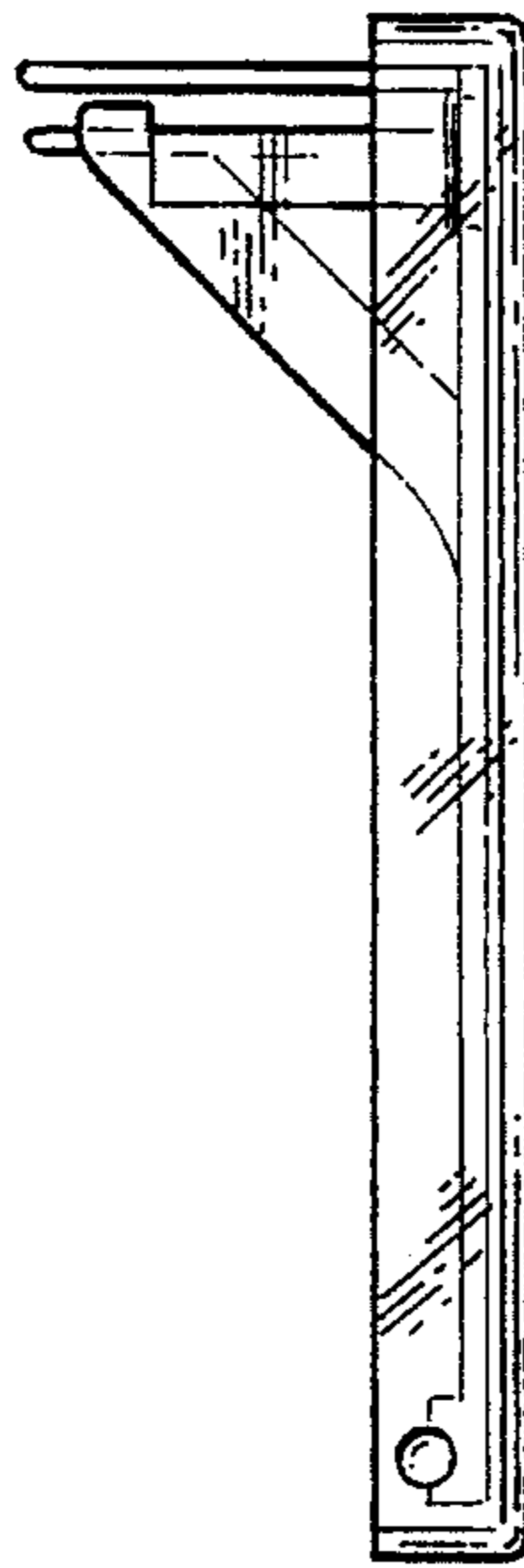


FIG. 6

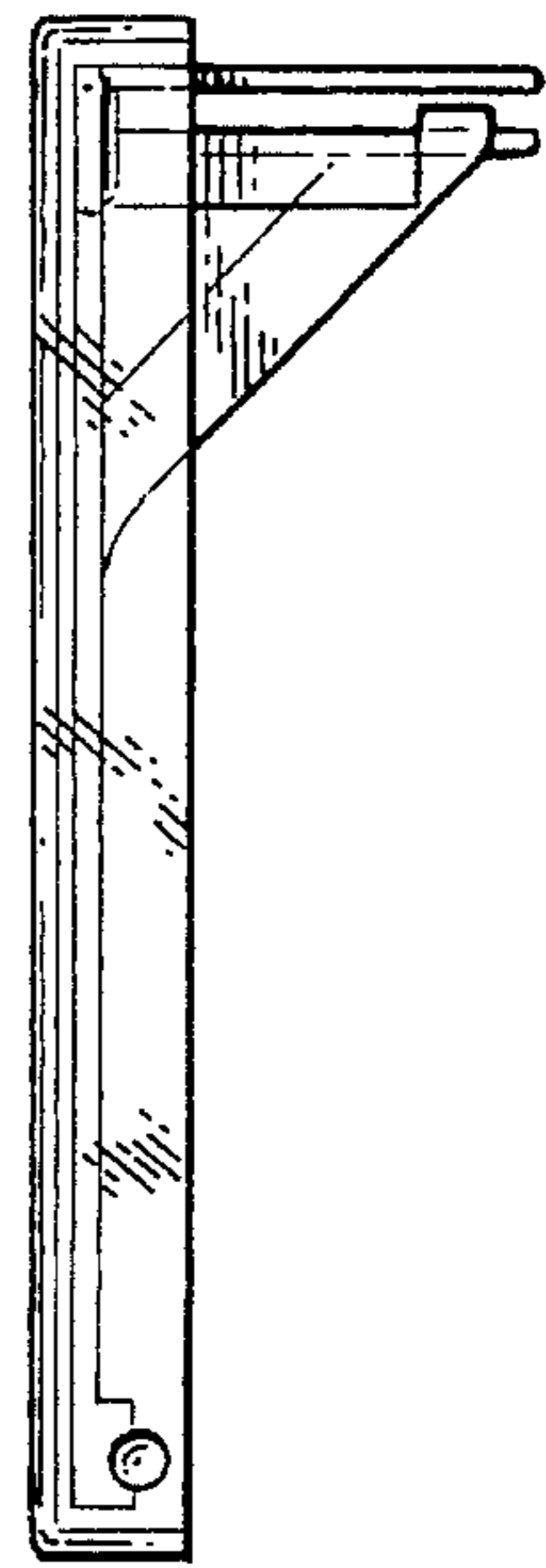


FIG. 7

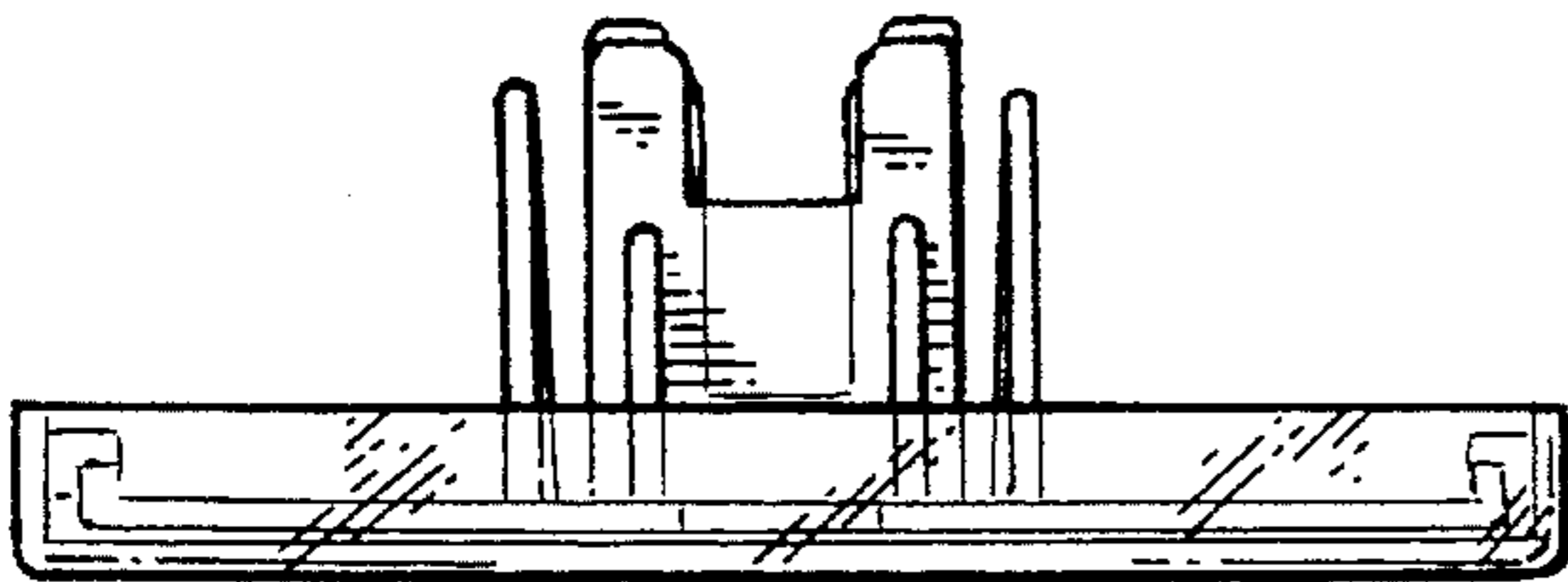


FIG. 9

FIG. 8

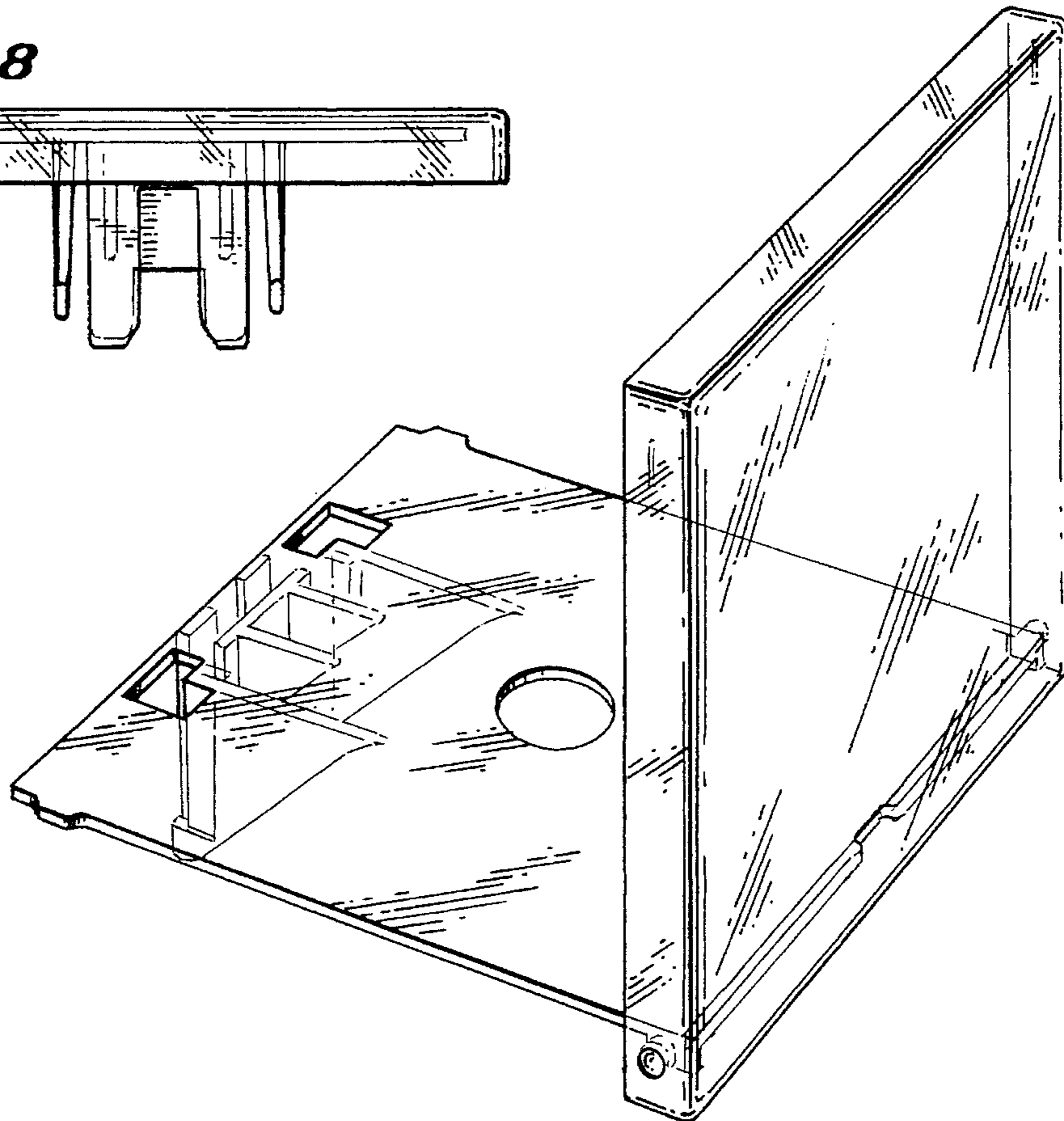
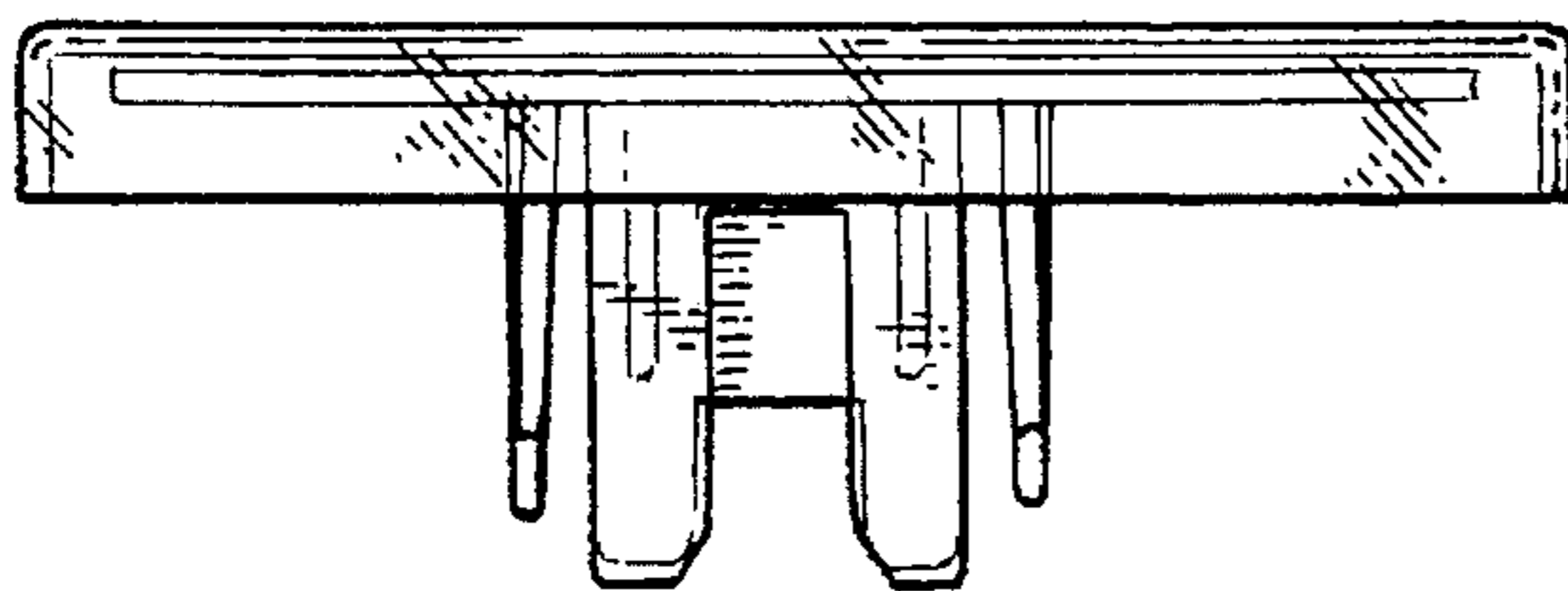


FIG. 10

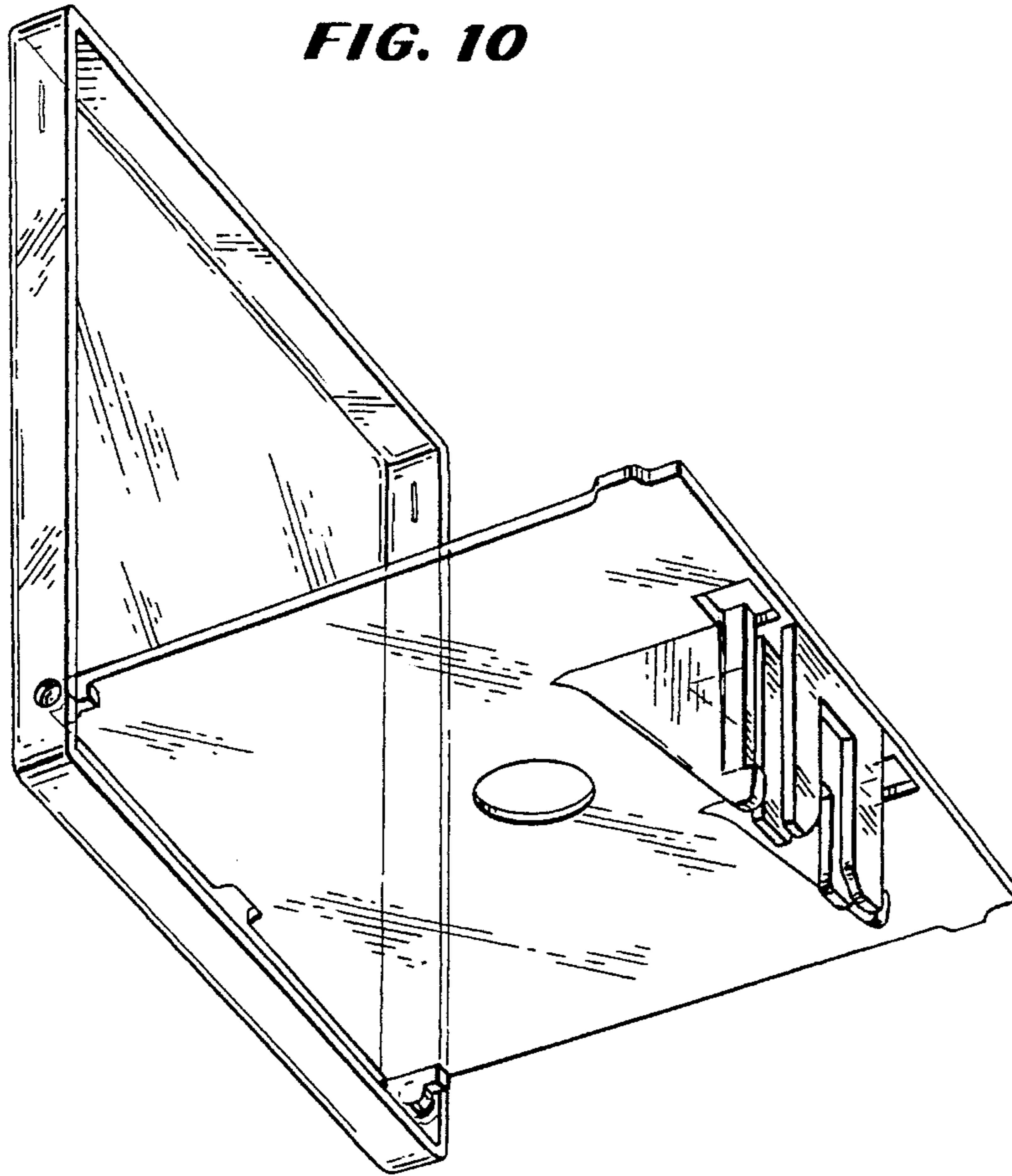


FIG. 11

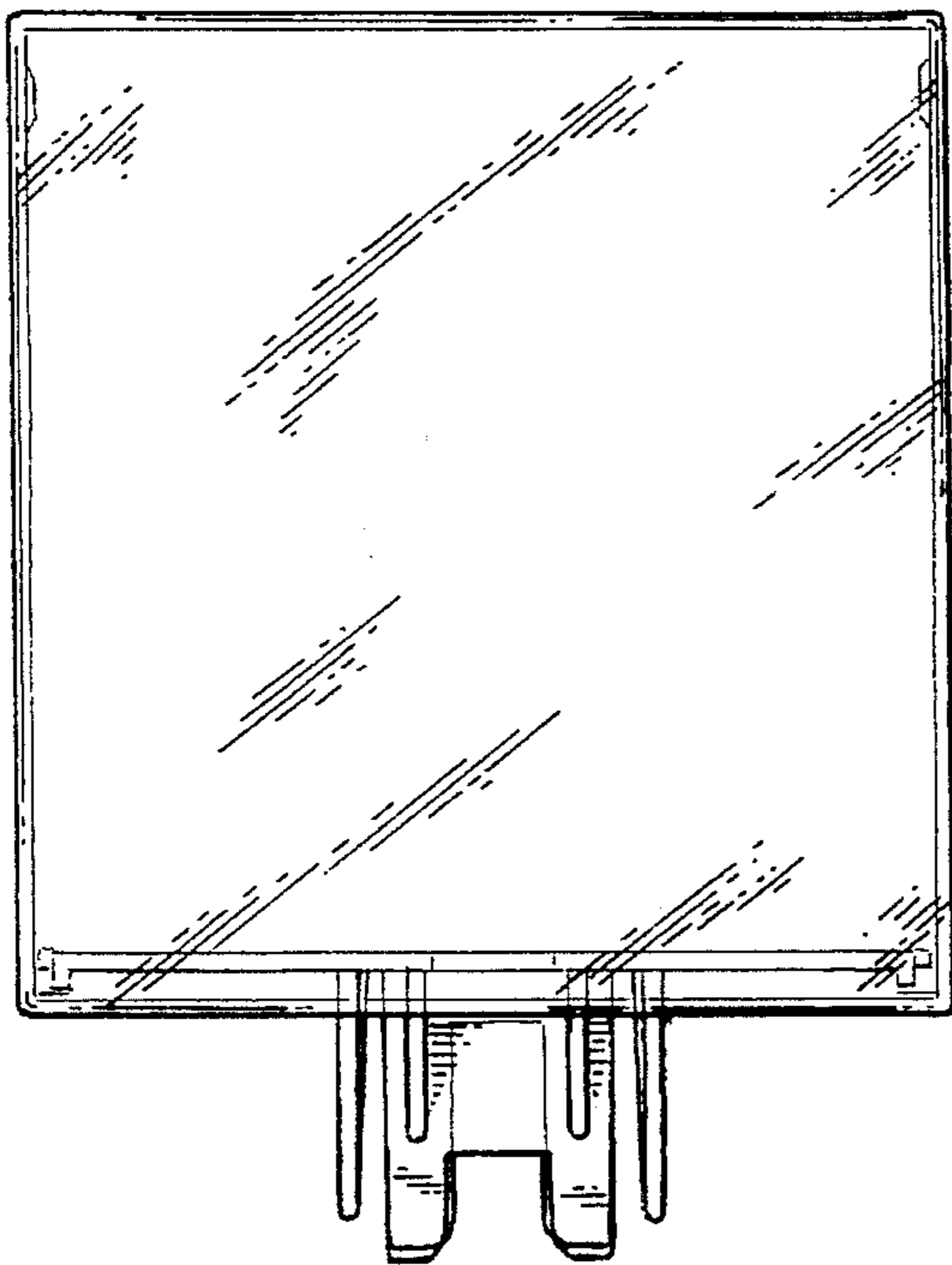
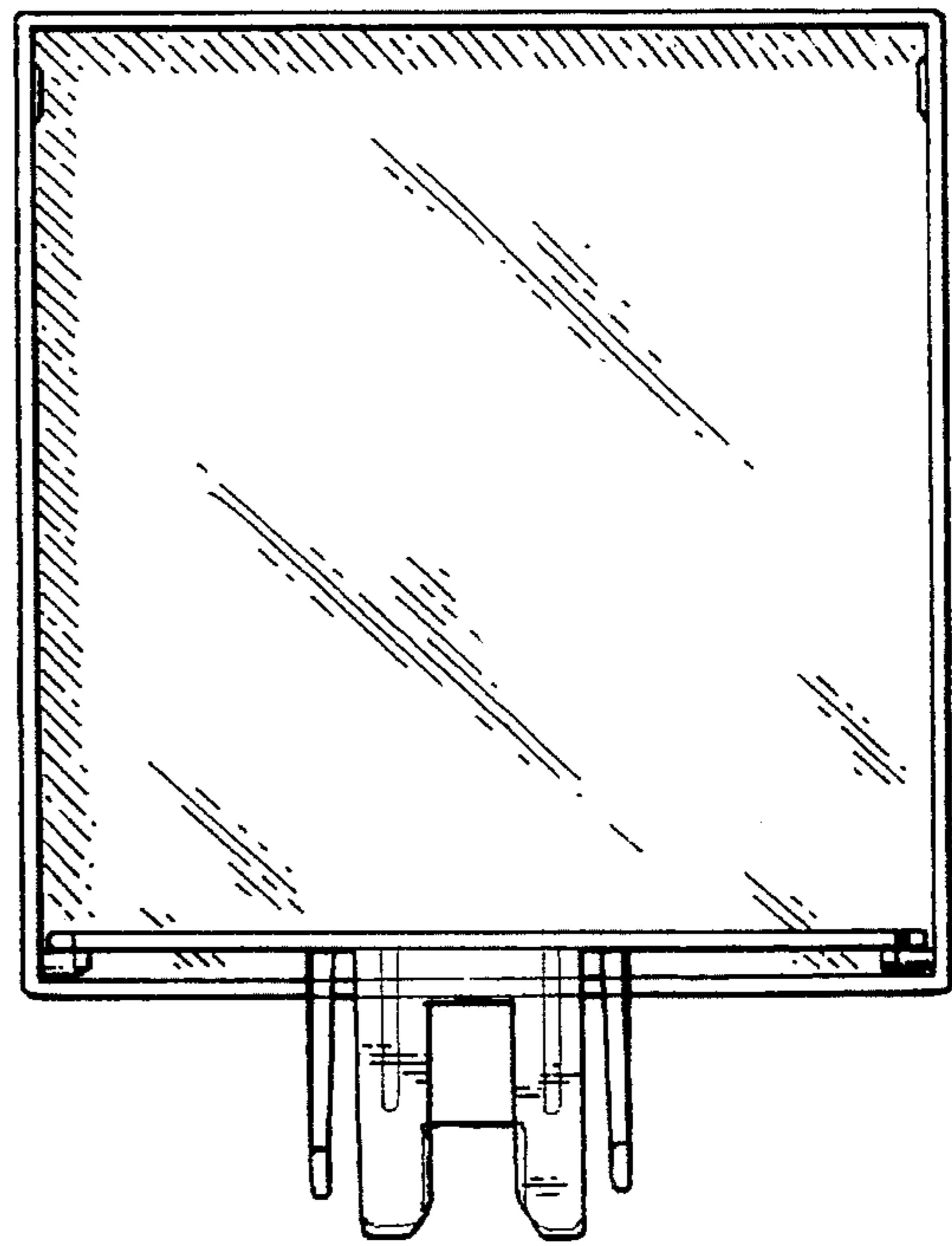


FIG. 12



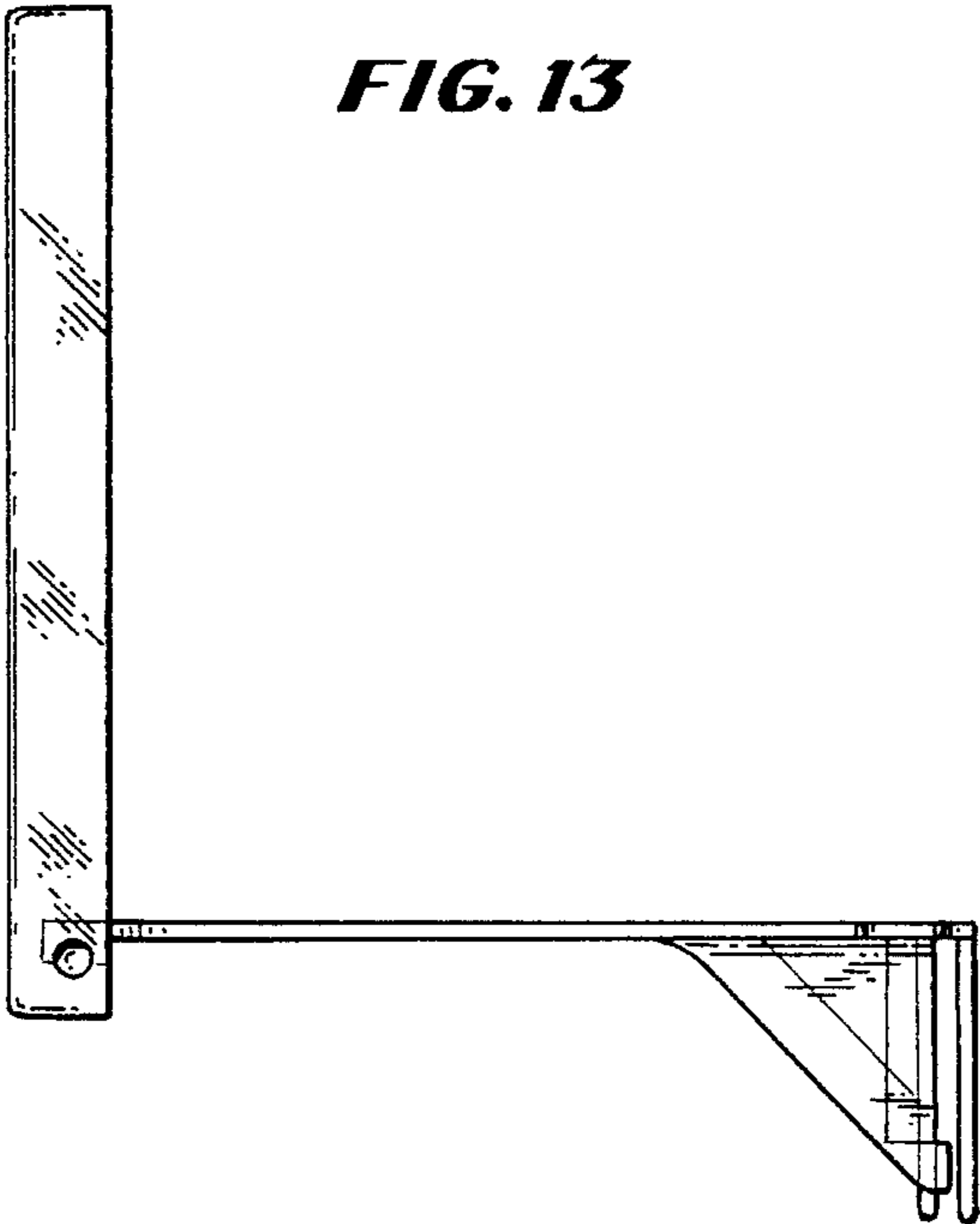


FIG. 14

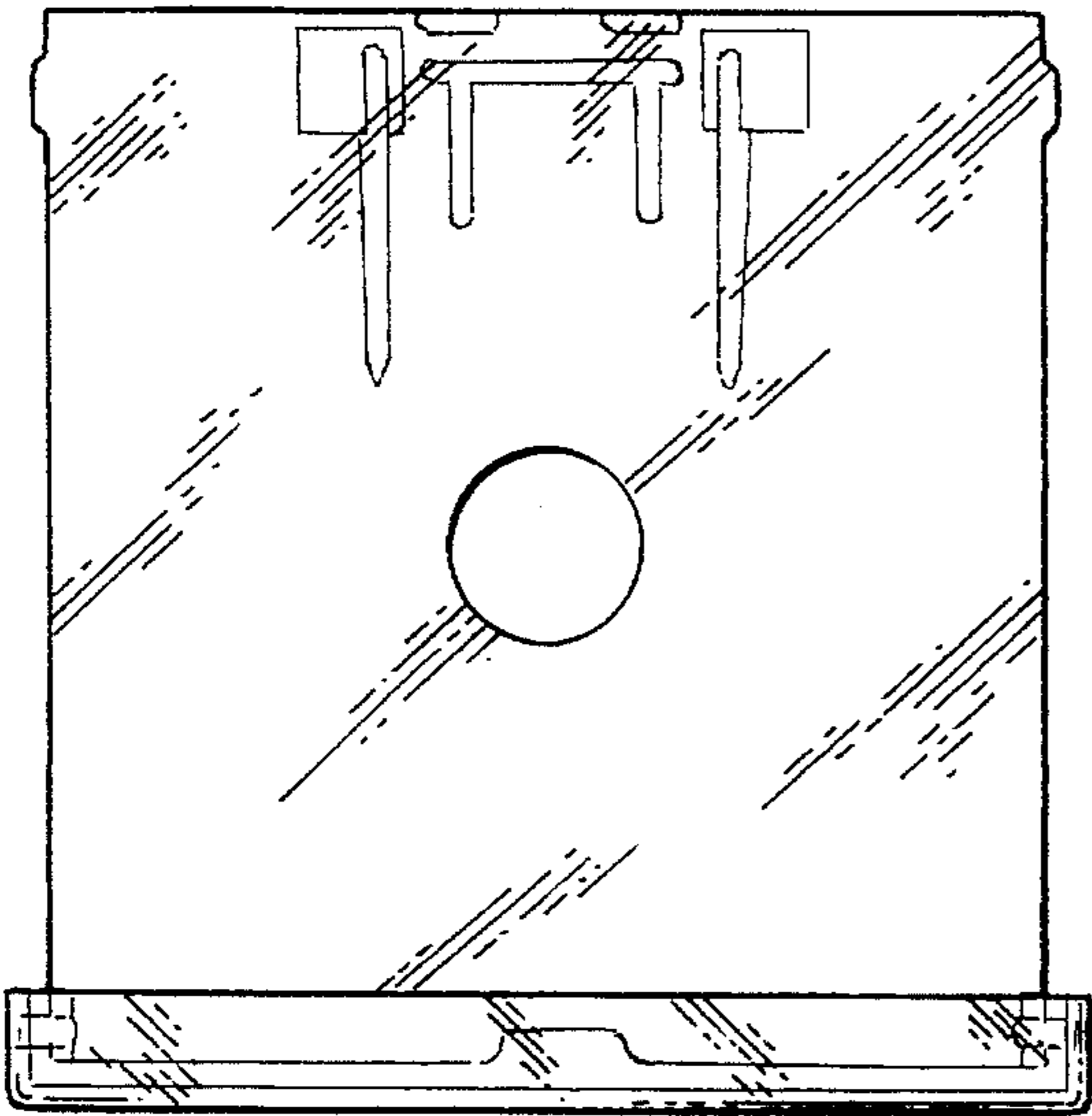


FIG. 15

