



US00D371243S

United States Patent [19]

Diaz

[11] Patent Number: **Des. 371,243**

[45] Date of Patent: ****Jul. 2, 1996**

[54] **BATHROOM CONVENIENCE MIRROR**

D. 309,986 8/1990 Sakai D6/308

[76] Inventor: **David S. Diaz**, 2385 Green Lake Rd. NE, Rio Rancho, N.M. 87124-2548

Primary Examiner—Janice E. Seeger
Attorney, Agent, or Firm—Harpman & Harpman

[**] Term: **14 Years**

[57] **CLAIM**

[21] Appl. No.: **38,174**

The ornamental design for bathroom convenience mirror, as shown and described.

[22] Filed: **Apr. 28, 1995**

DESCRIPTION

[52] U.S. Cl. **D6/300**

[58] Field of Search D6/300-303, 308-314;
D20/10, 42; 40/152, 152.1, 154-156, 158.1,
159.1, 159.2

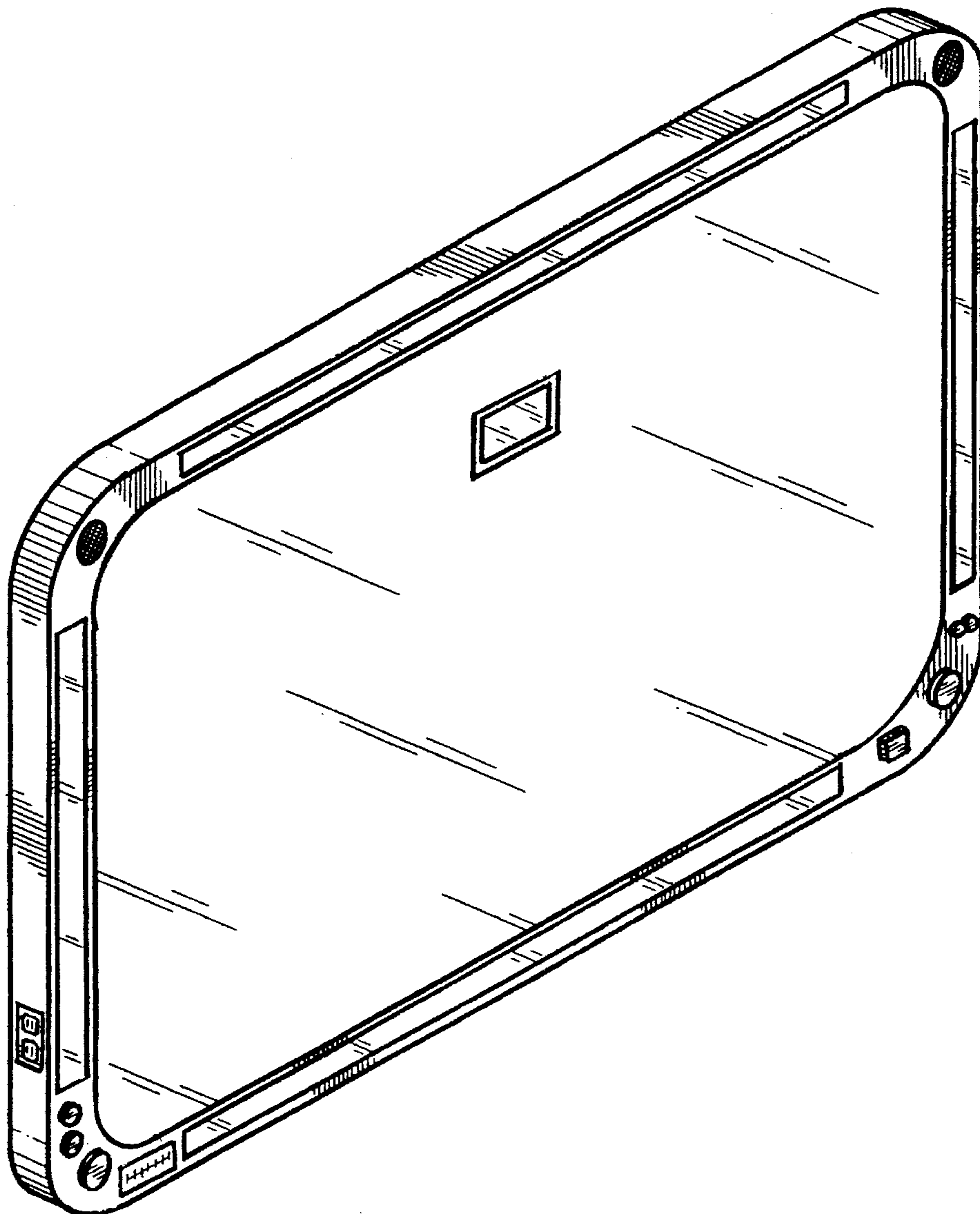
FIG. 1 is a front, top and side perspective view of bathroom convenience mirror showing my new design;
FIG. 2 is a front elevational view thereof;
FIG. 3 is a rear elevational view thereof;
FIG. 4 is a right side elevational view thereof;
FIG. 5 is a left side elevational view thereof;
FIG. 6 is a top plan view thereof; and,
FIG. 7 is a bottom plan view thereof.

[56] **References Cited**

U.S. PATENT DOCUMENTS

- D. 243,378 2/1977 Tharp D6/300
- D. 244,660 6/1977 Vrignaud D6/300
- D. 300,642 4/1989 Pawlik et al. D20/10

1 Claim, 3 Drawing Sheets



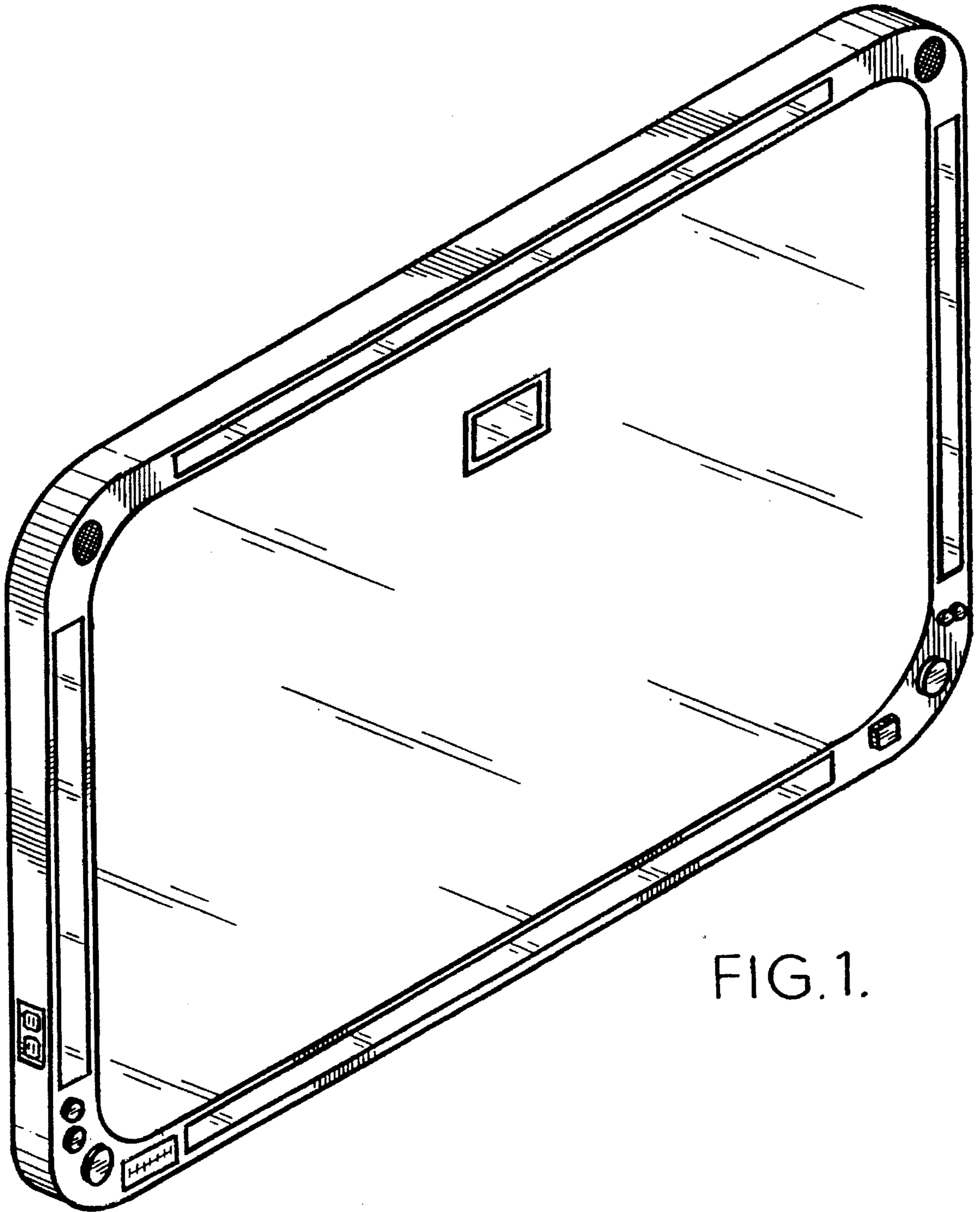


FIG. 1.

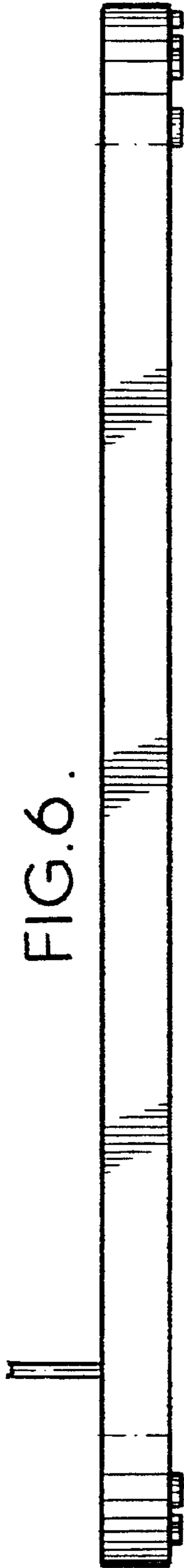


FIG. 6.

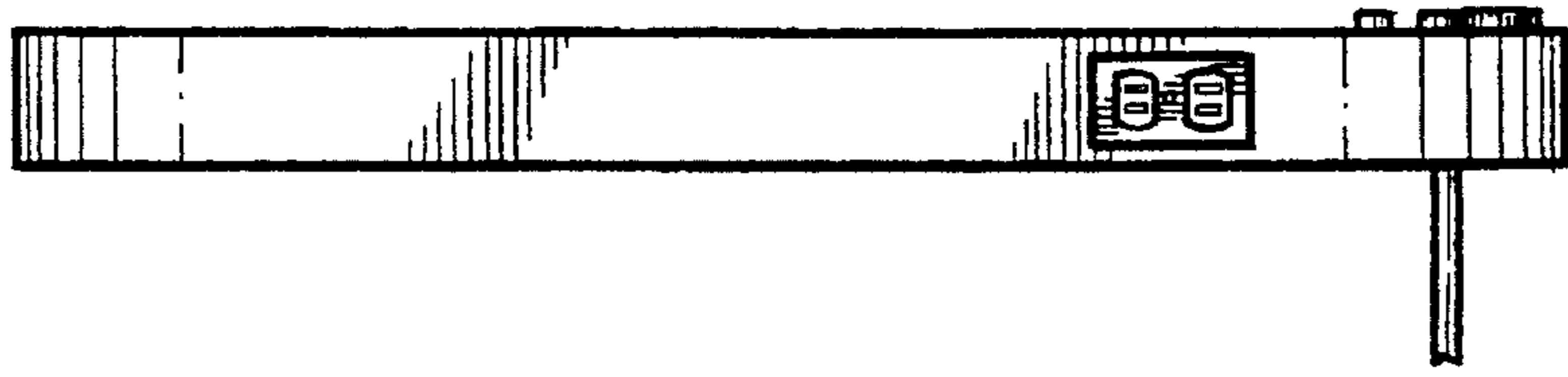


FIG. 5.

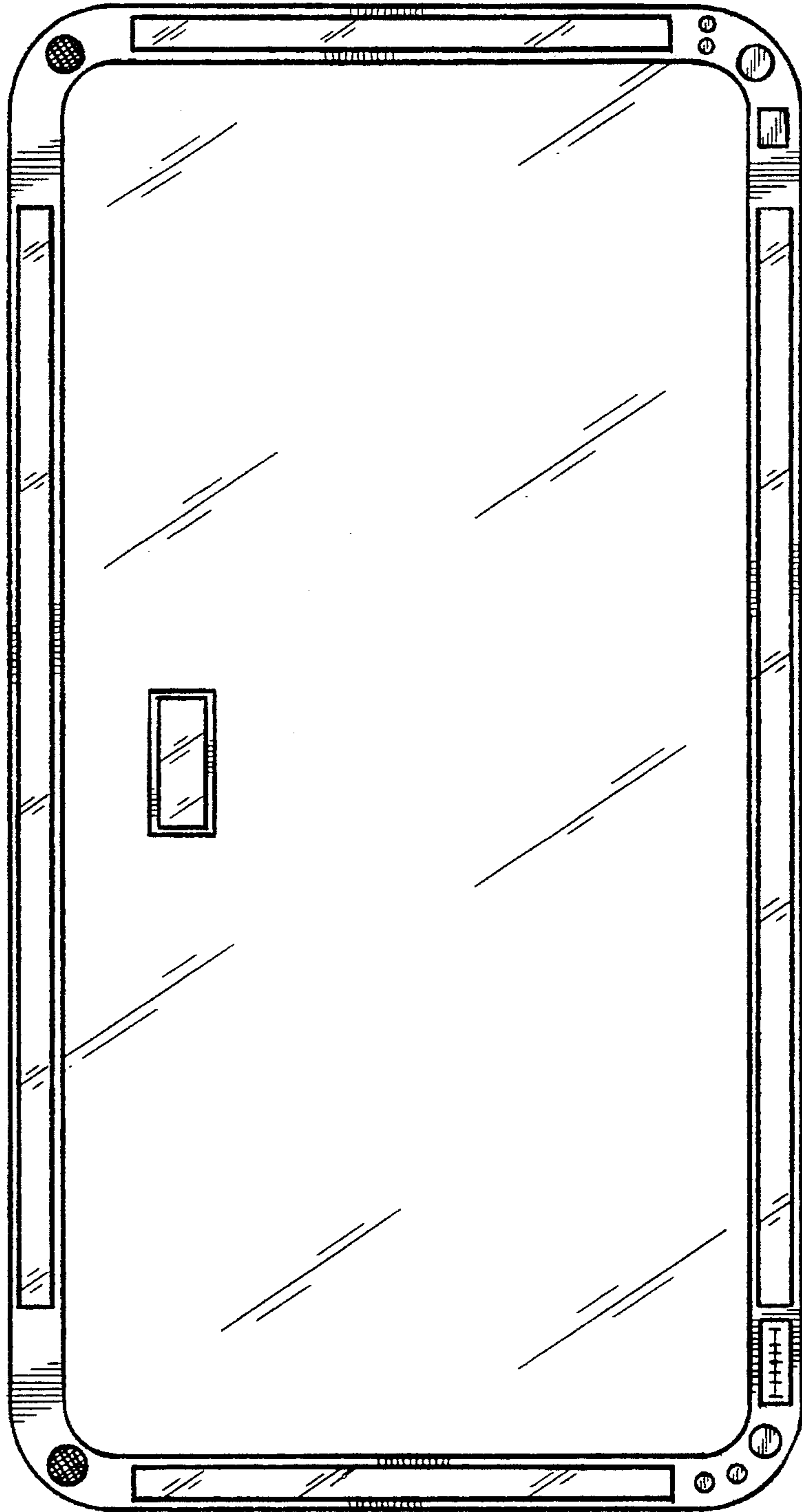


FIG. 2.

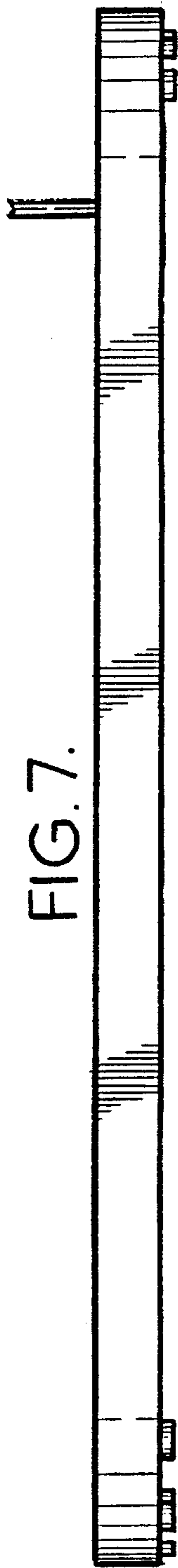


FIG. 7.

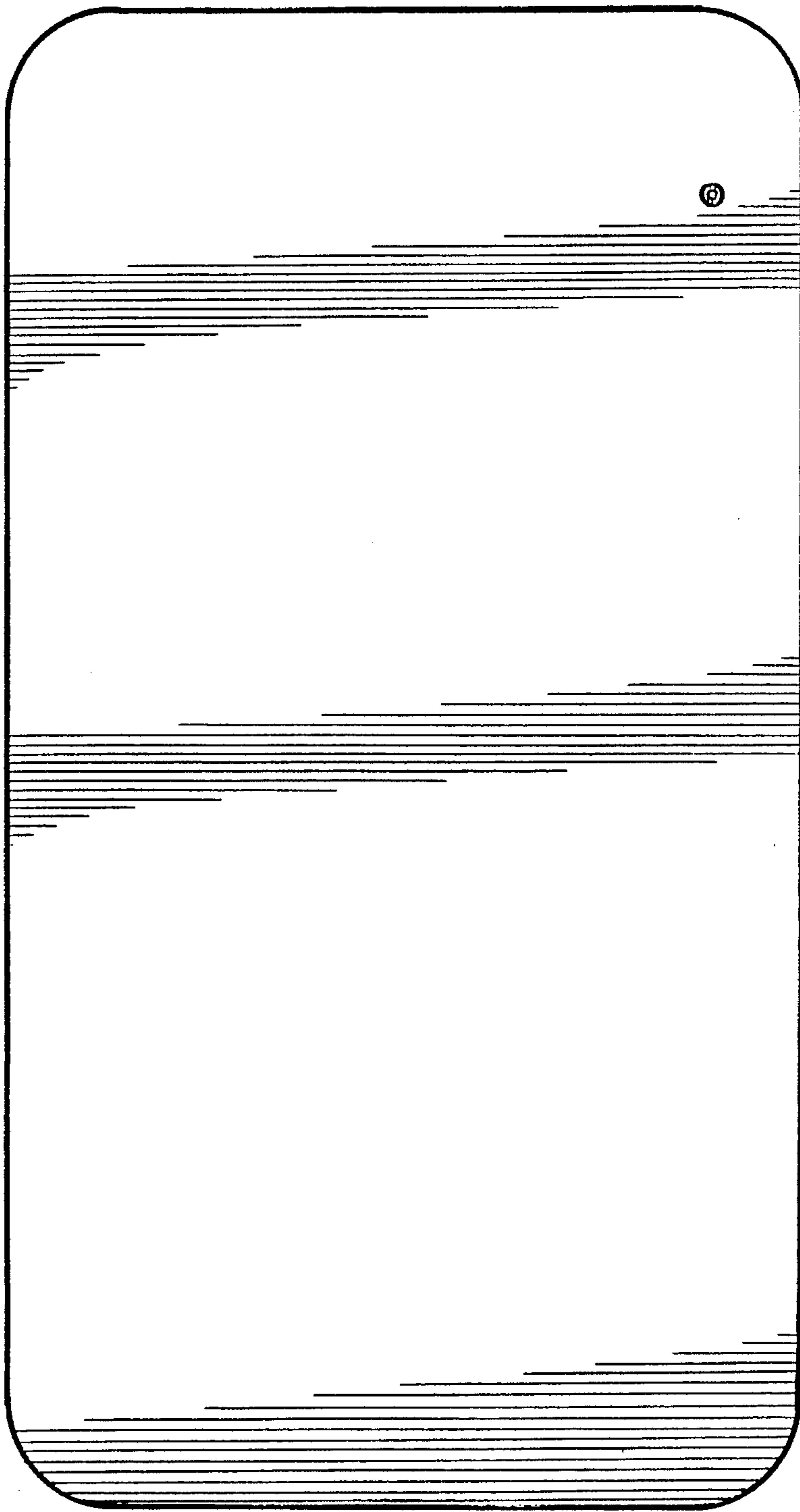


FIG. 3.

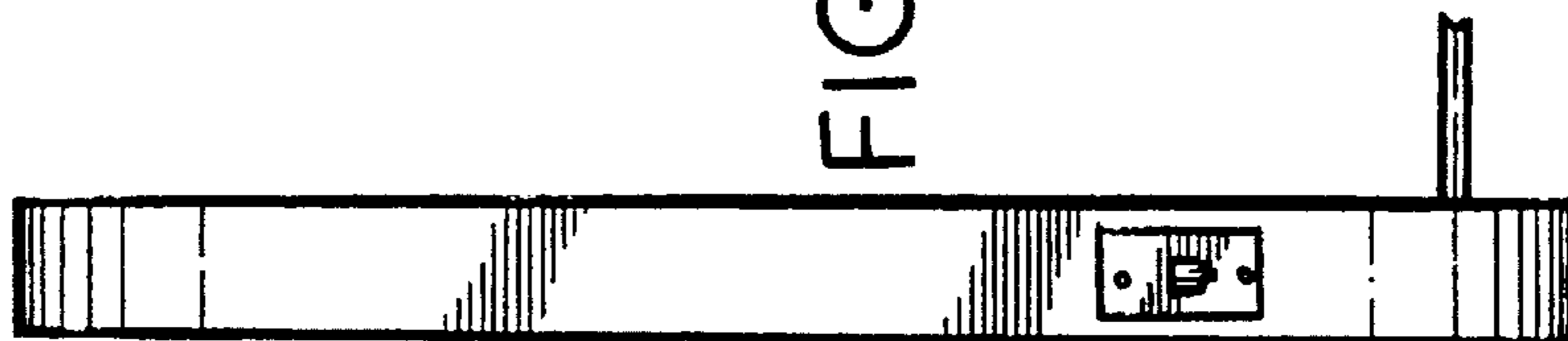


FIG. 4.