



US00D371242S

# United States Patent [19]

[11] Patent Number: **Des. 371,242**

Shimatsu et al.

[45] Date of Patent: **\*\*Jul. 2, 1996**

[54] **ELECTRIC TOOTHBRUSH WITH COMBINED CHARGING BASE AND BRUSH-HEAD CONTAINER THEREFOR**

5,033,617	7/1991	Hartwein et al.	206/362.1
5,054,149	10/1991	Si-Hoe et al.	15/28
5,077,855	1/1992	Ambasz	15/22.1
5,142,723	9/1992	Lustig et al.	15/22.1
5,283,921	2/1994	Ng	15/22.1
5,309,591	5/1994	Hagele et al.	15/22.1

[75] Inventors: **Scott T. Shimatsu**, Alhambra; **Cleve A. Graham**, Simi Valley; **Spencer L. MacKay**, Agoura Hills, all of Calif.

*Primary Examiner*—A. Hugo Word  
*Assistant Examiner*—Lavone Tabor  
*Attorney, Agent, or Firm*—Katherine McGuire

[73] Assignee: **Bausch & Lomb Incorporated**, Rochester, N.Y.

[\*\*] Term: **14 Years**

### [57] CLAIM

[21] Appl. No.: **29,536**

An ornamental design for electric toothbrush with combined charging base and brush-head container therefor, as shown and described.

[22] Filed: **Oct. 7, 1994**

### DESCRIPTION

[52] U.S. Cl. .... **D4/108**; D4/101; D4/177

[58] **Field of Search** ..... D4/101, 104-113, D4/134, 136, 138, 199; D3/300; D13/308; 15/22.1, 23-24, 28-29, 105, 159.1, 160, 167.1, 167.2, 143.1; 132/308, 315

FIG. 1 is a front elevational view of the electric toothbrush with combined base and brush-head container therefor of our new design, shown separately for clarity of illustration only;

FIG. 2 is a side, elevational view thereof;

FIG. 3 is a top plan view thereof;

FIG. 4 is an elevational view of the side thereof opposite the side of FIG. 2, with the electric cord of the charging base portion shown fragmented;

FIG. 5 is a rear, elevational view thereof;

FIG. 6 is a front elevational view of the electric toothbrush portion of our new design, shown separately for clarity of illustration only;

FIG. 7 is a side elevational view of FIG. 6;

FIG. 8 is a rear elevational view of FIG. 6;

FIG. 9 is a top plan view of FIG. 6;

FIG. 10 is a bottom plan view of FIG. 6;

FIG. 11 is a perspective view of the electric toothbrush shown mounted to the charging base portion of the combined charging base and brush-head container in the intended manner; and,

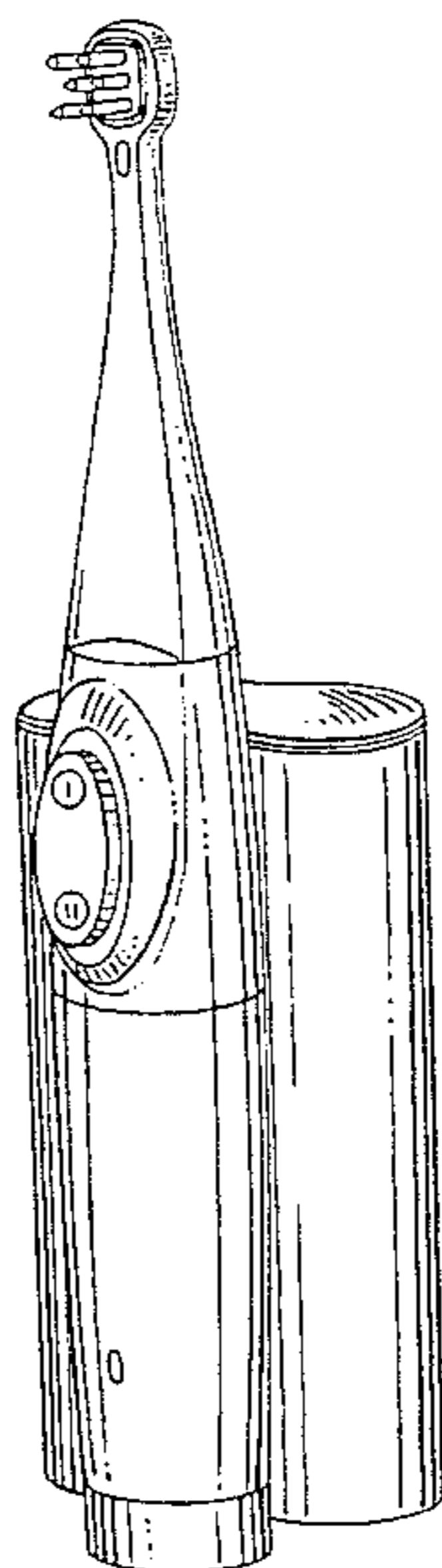
FIG. 12 is an exploded perspective view taken from the opposite side of the side shown in FIG. 11.

### [56] References Cited

#### U.S. PATENT DOCUMENTS

D. 210,349	3/1968	Boldt	D4/101
D. 220,239	3/1971	Rams et al.	D4/101
D. 251,952	5/1979	Washburn	D3/300
D. 303,876	10/1989	Clemens et al.	D4/101
D. 318,918	8/1991	Hartwein	D24/111
D. 328,816	8/1992	Cook et al.	D3/39
D. 341,943	12/1993	Si-Hoe	D4/108
D. 342,718	12/1993	Mackay	D13/108
D. 353,490	12/1994	Hartwein	D4/101
2,298,417	10/1942	Rocca	132/308 X
2,432,764	12/1947	Jenkins	132/308
3,489,936	1/1970	Boyles	310/47
3,577,579	5/1971	Duve et al.	15/22
3,954,407	5/1976	Andary et al.	21/83
4,156,620	5/1979	Clemens	134/6
4,274,173	6/1981	Cohen	15/28
4,827,550	5/1989	Graham et al.	15/22
4,845,795	7/1989	Crawford et al.	15/22
4,974,278	12/1990	Hommann	15/22
5,028,413	7/1991	Bianchi et al.	424/52

**1 Claim, 5 Drawing Sheets**



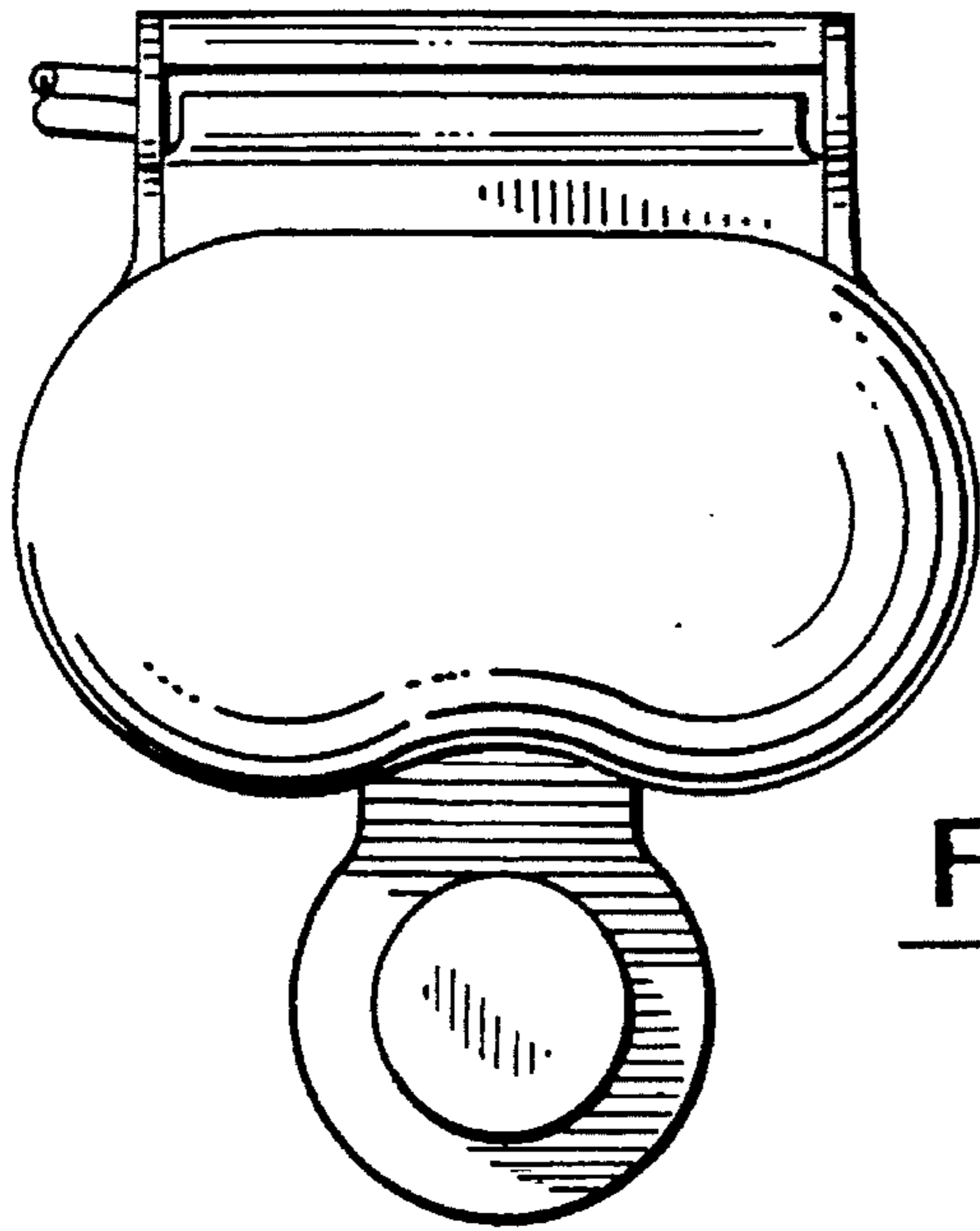


FIG. 3

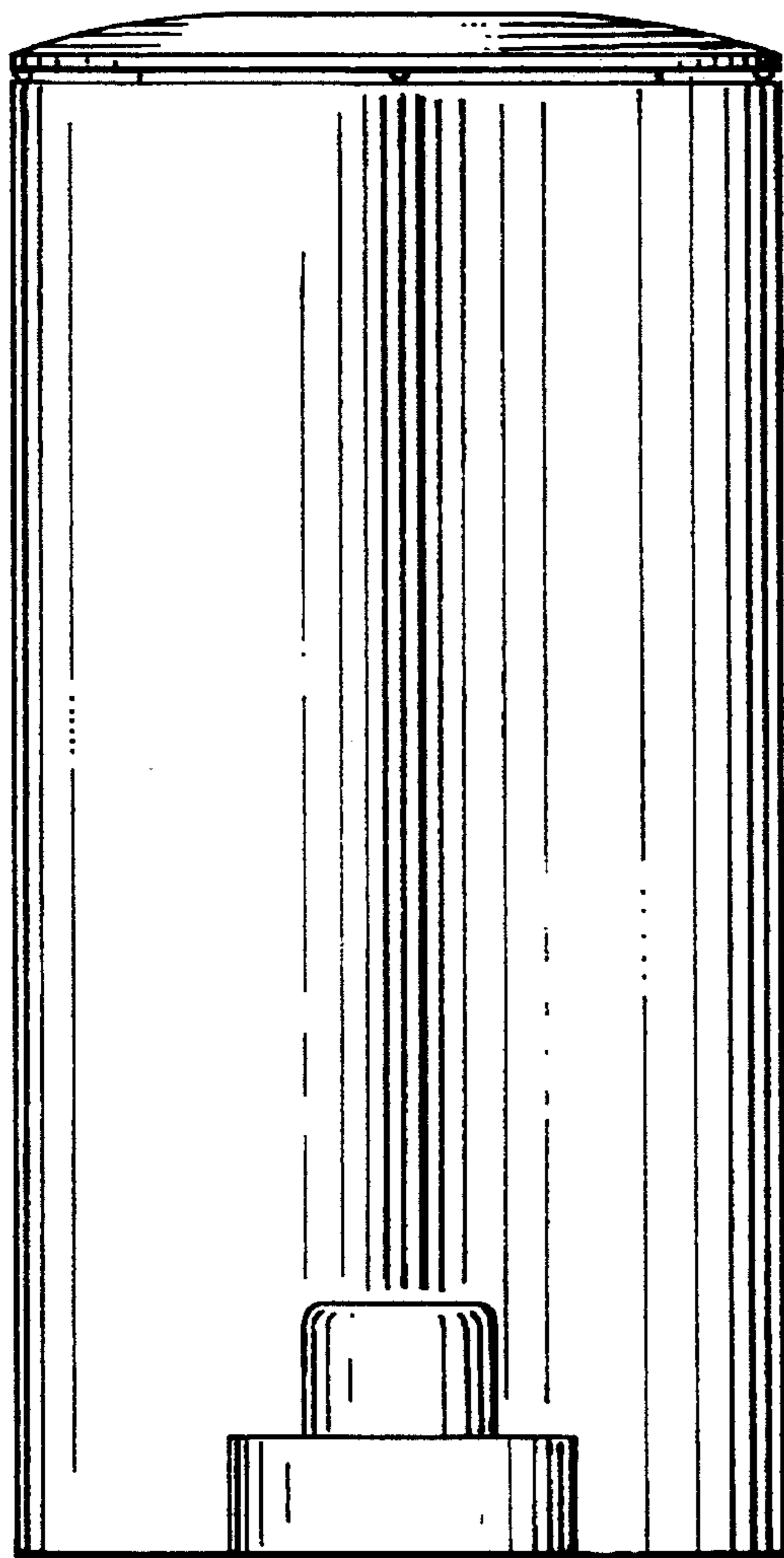


FIG. 1

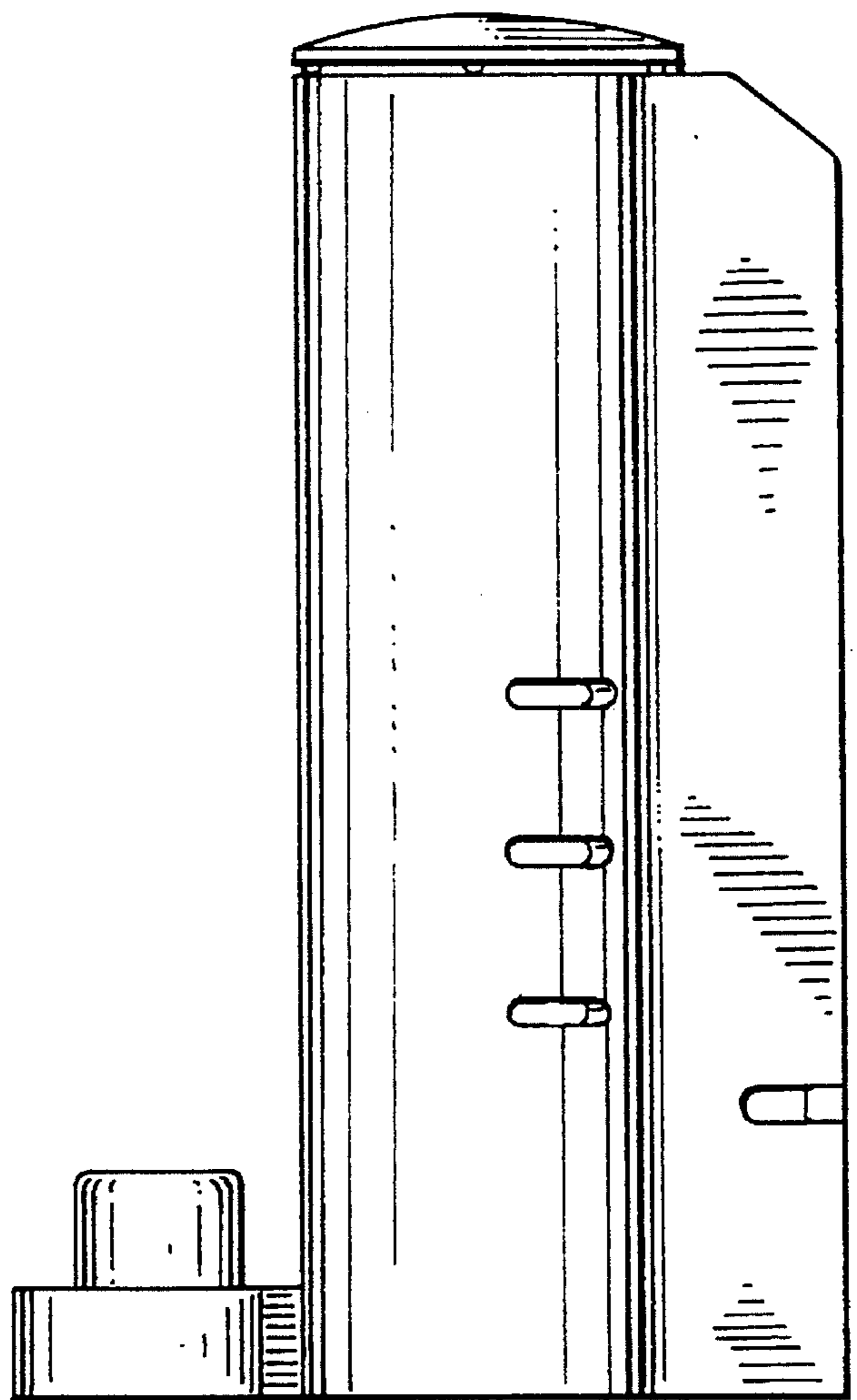


FIG. 2

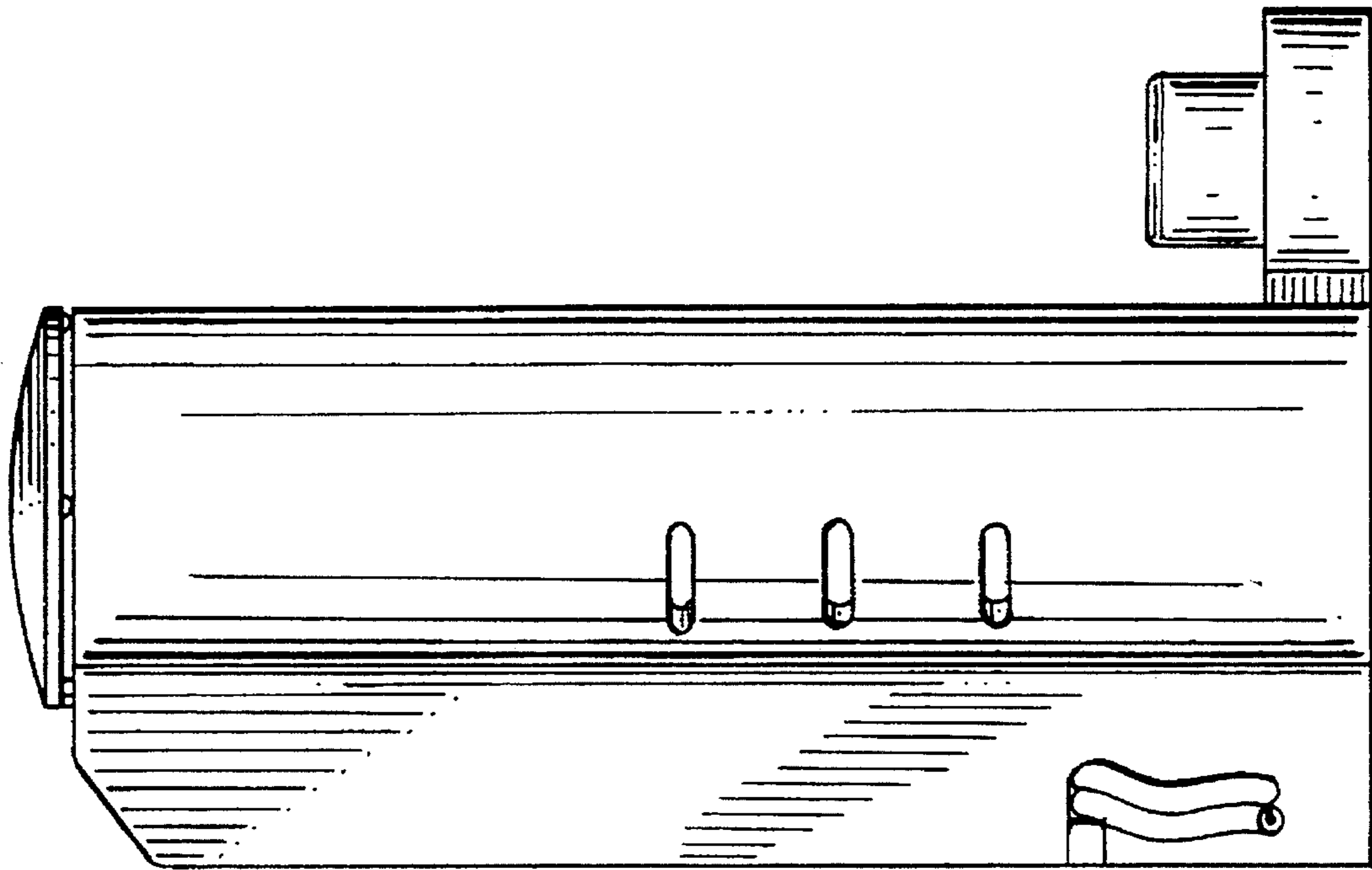


FIG. 4

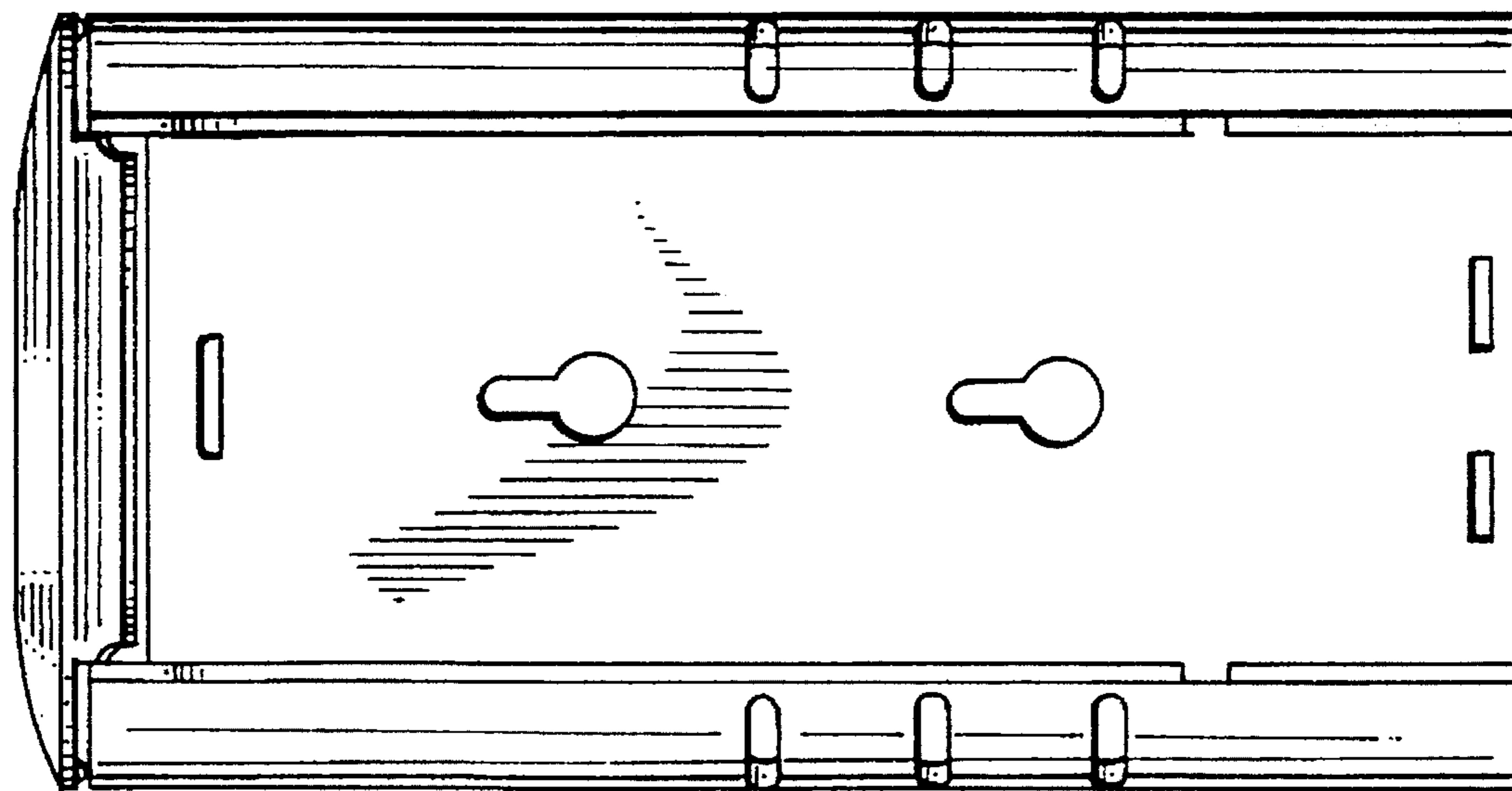


FIG. 5

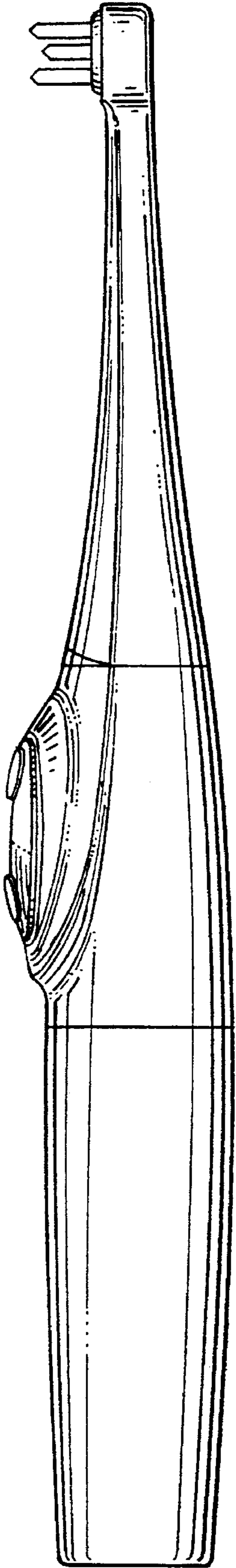


FIG. 7

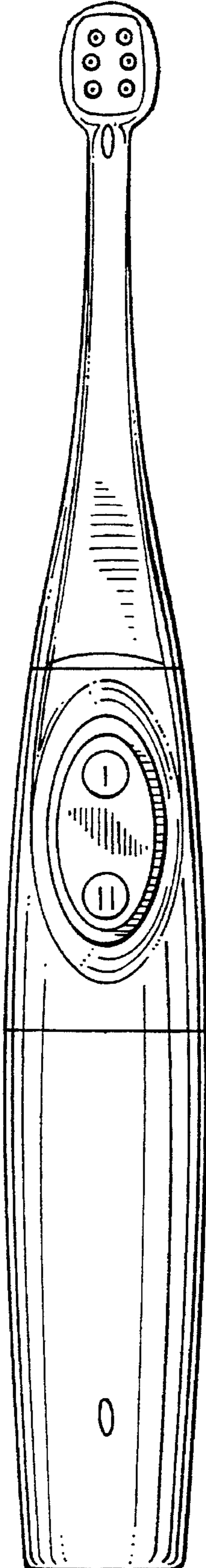


FIG. 6

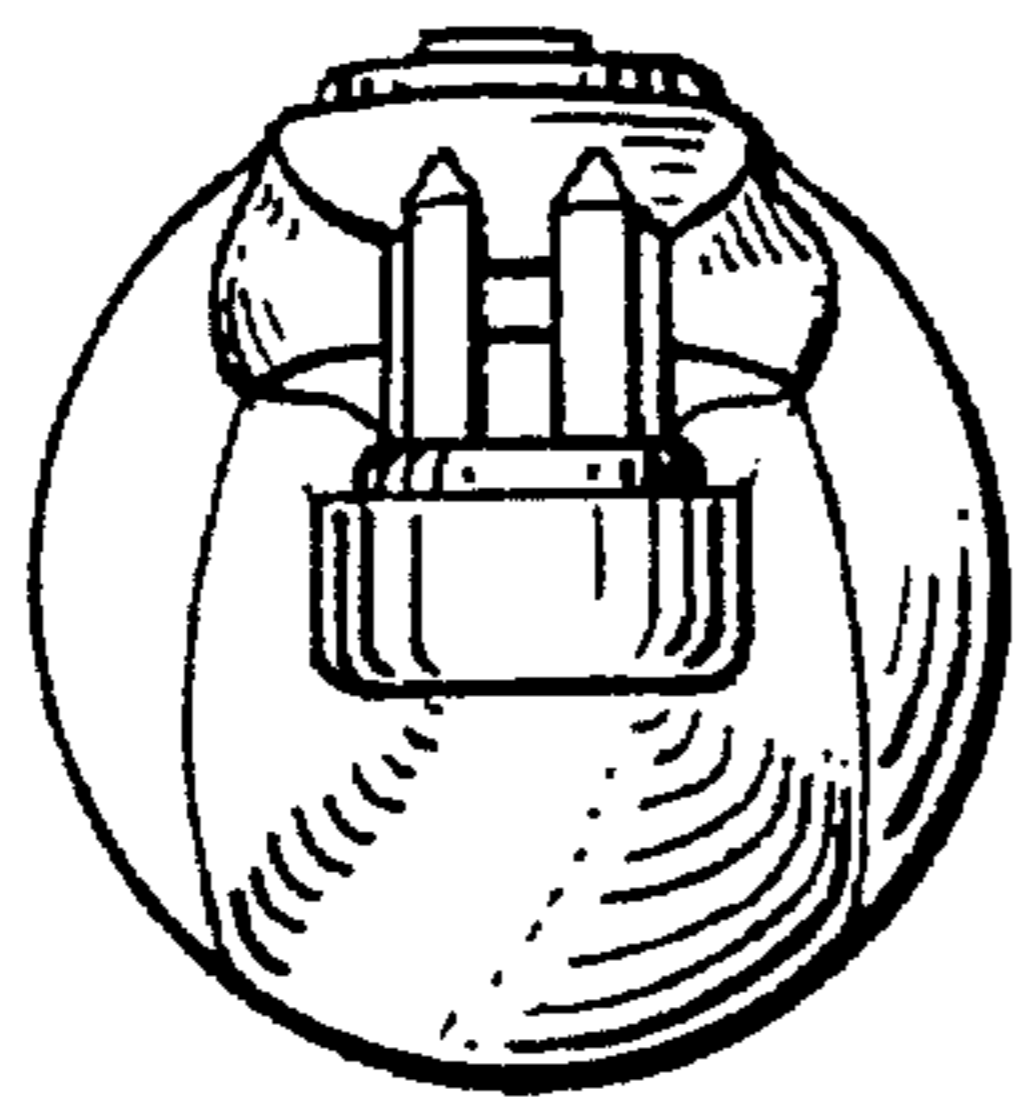


FIG. 9

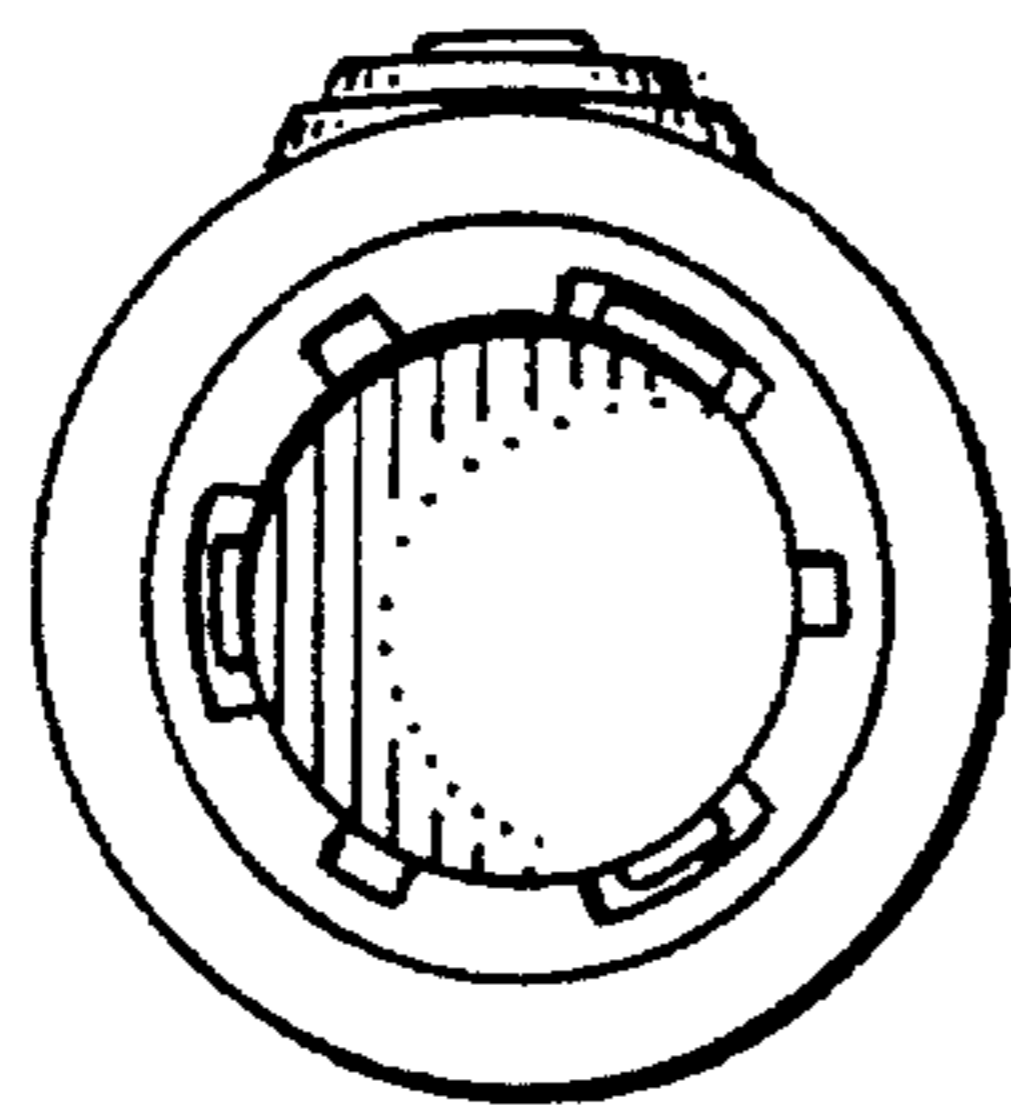


FIG. 10

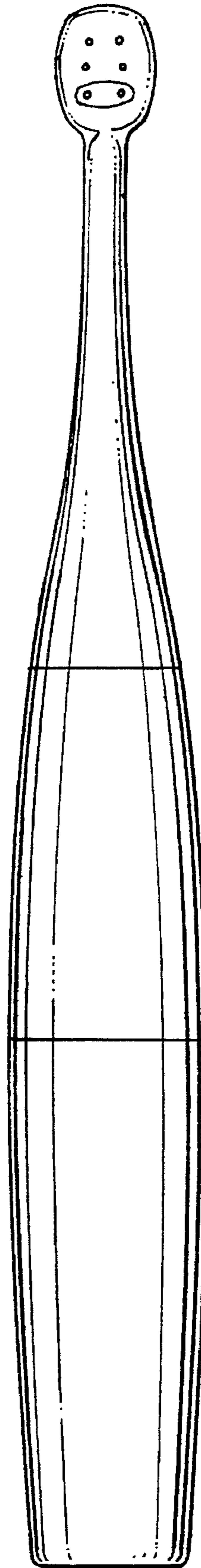


FIG. 8

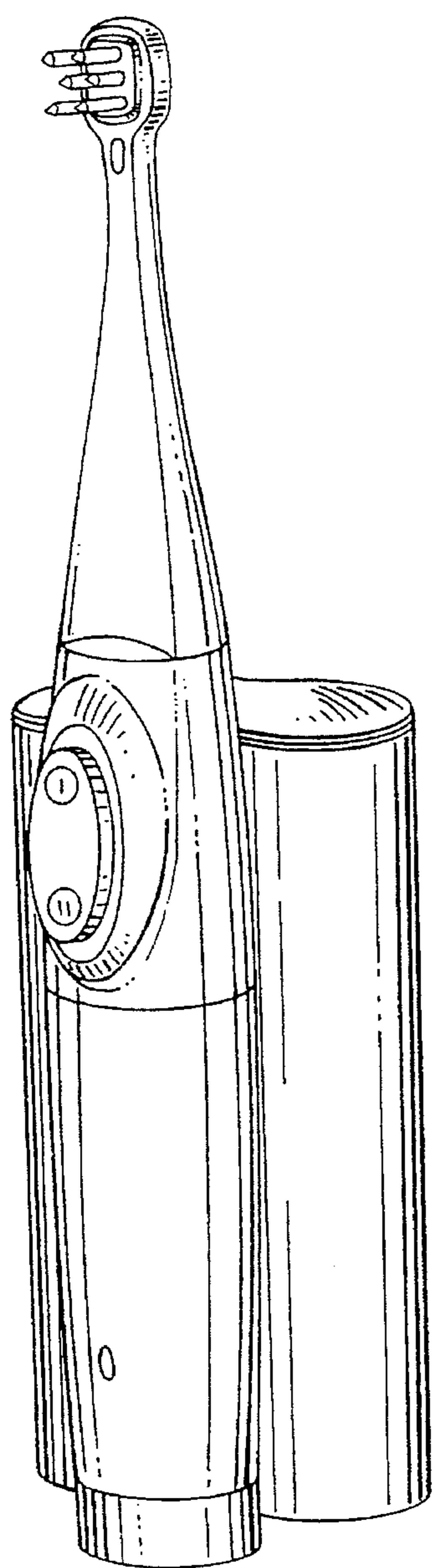


FIG. 11

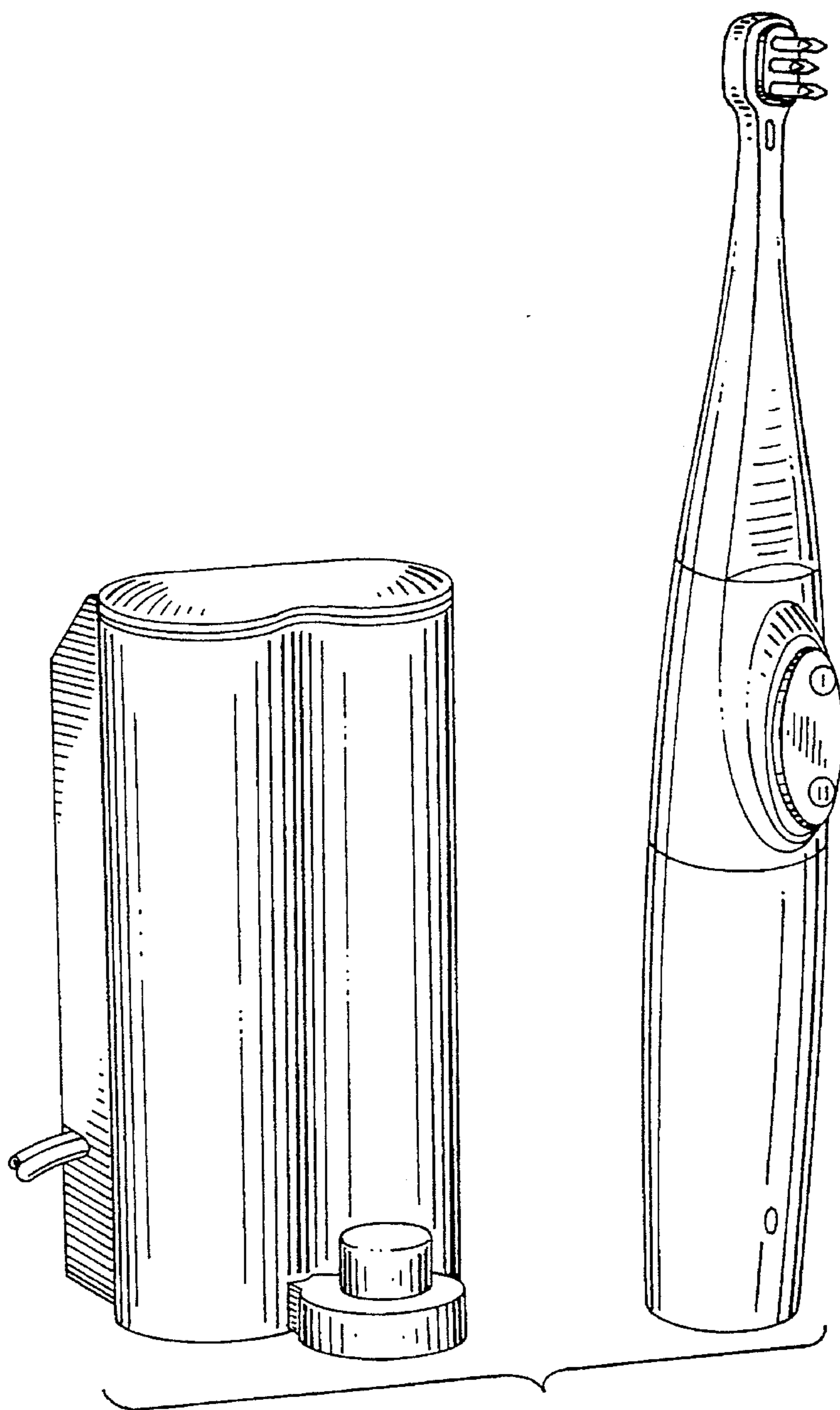


FIG. 12