



US00D371238S

United States Patent [19]

Dingman

[11] Patent Number: **Des. 371,238**

[45] Date of Patent: ****Jul. 2, 1996**

[54] **SHELF ORGANIZER**

[76] Inventor: **Phyllis A. Dingman**, 5569 Makati Cir.,
San Jose, Calif. 95123

[**] Term: **14 Years**

[21] Appl. No.: **32,612**

[22] Filed: **Dec. 22, 1994**

[52] U.S. Cl. **D3/304**; D19/90

[58] Field of Search D6/396, 407, 626,
D6/449, 510; D19/75, 86, 90; D3/304,
314; 206/557; 211/10-11, 44, 86, 126

[56] **References Cited**

U.S. PATENT DOCUMENTS

| | | | |
|------------|--------|---------------|-----------|
| D. 232,783 | 9/1974 | Payne | D3/304 |
| D. 354,312 | 1/1995 | Pohlman | D19/90 |
| 4,577,773 | 3/1986 | Bitel | 206/557 X |

Primary Examiner—Brian N. Vinson

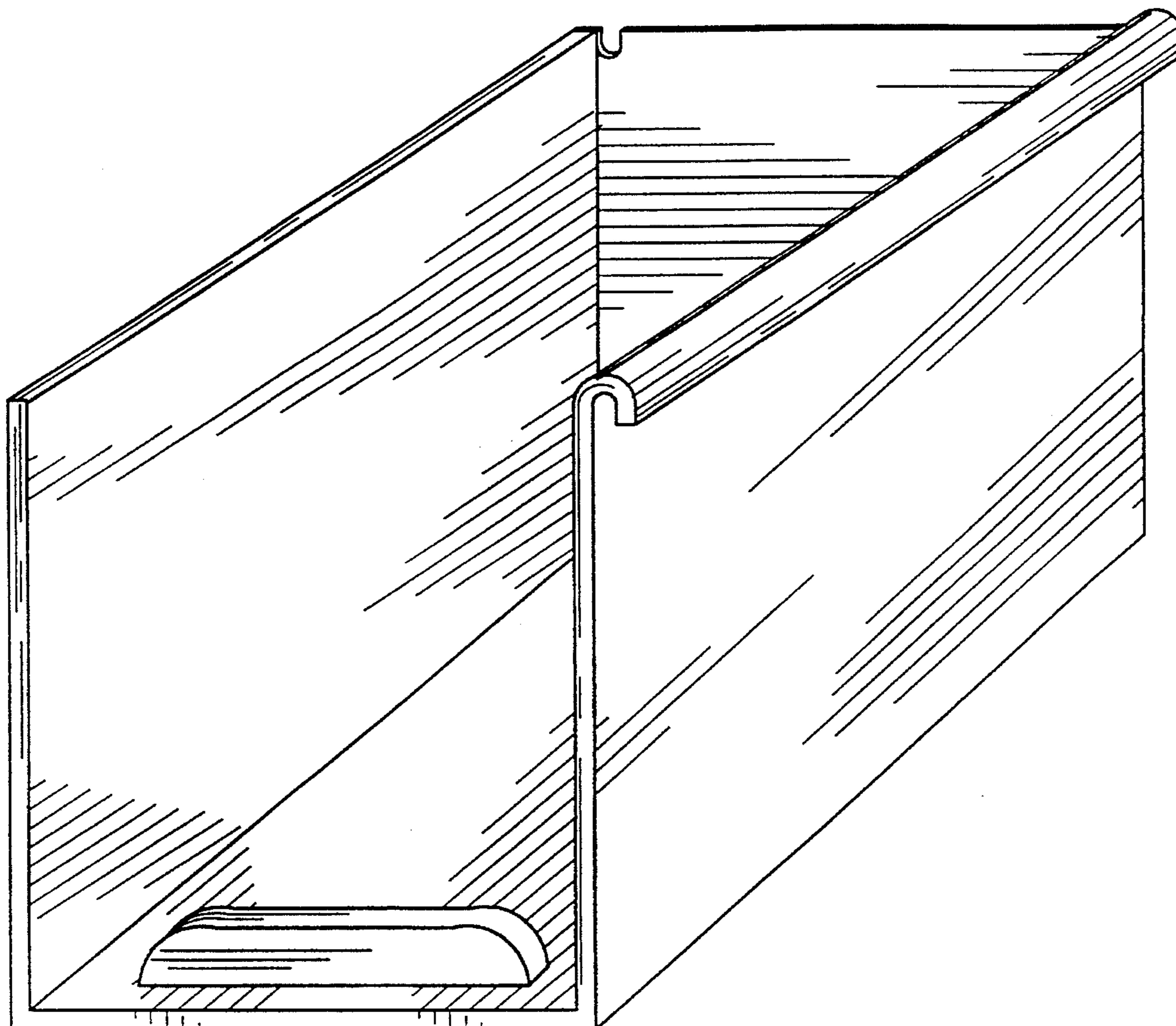
[57] **CLAIM**

The ornamental design for a shelf organizer , as shown and described.

DESCRIPTION

FIG. 1 is a top, front, and right side perspective view of a shelf organizer showing my new design;
 FIG. 2 is a front elevational view thereof;
 FIG. 3 is a rear elevational view thereof; the broken-line disclosure of an additional unit attached being for illustrative purposes only and forming no part of the claimed design;
 FIG. 4 is a left side elevational view thereof;
 FIG. 5 is a right side elevational view thereof;
 FIG. 6 is a top plan view thereof; and,
 FIG. 7 is a bottom plan view thereof.

1 Claim, 6 Drawing Sheets



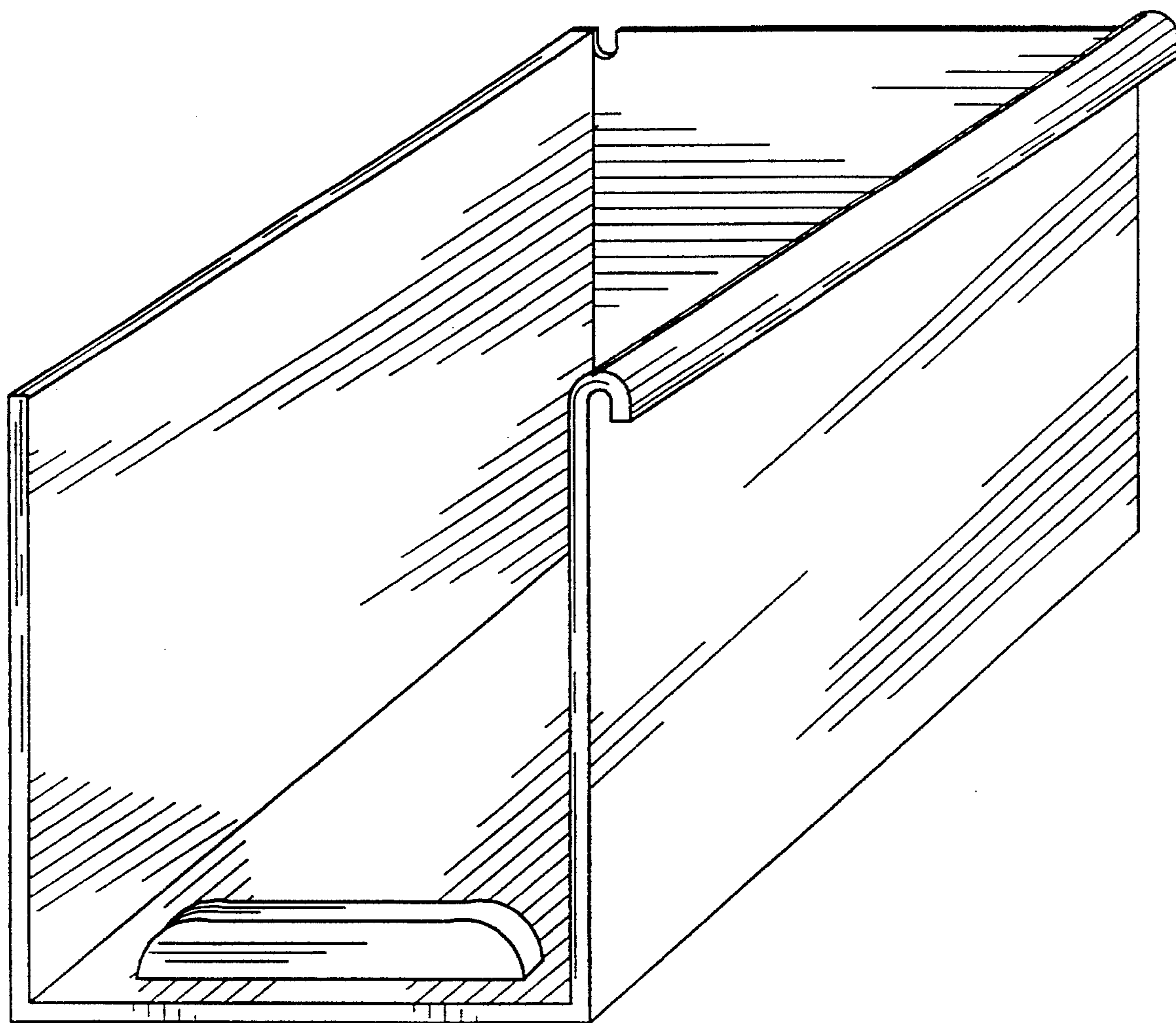


FIG. 1

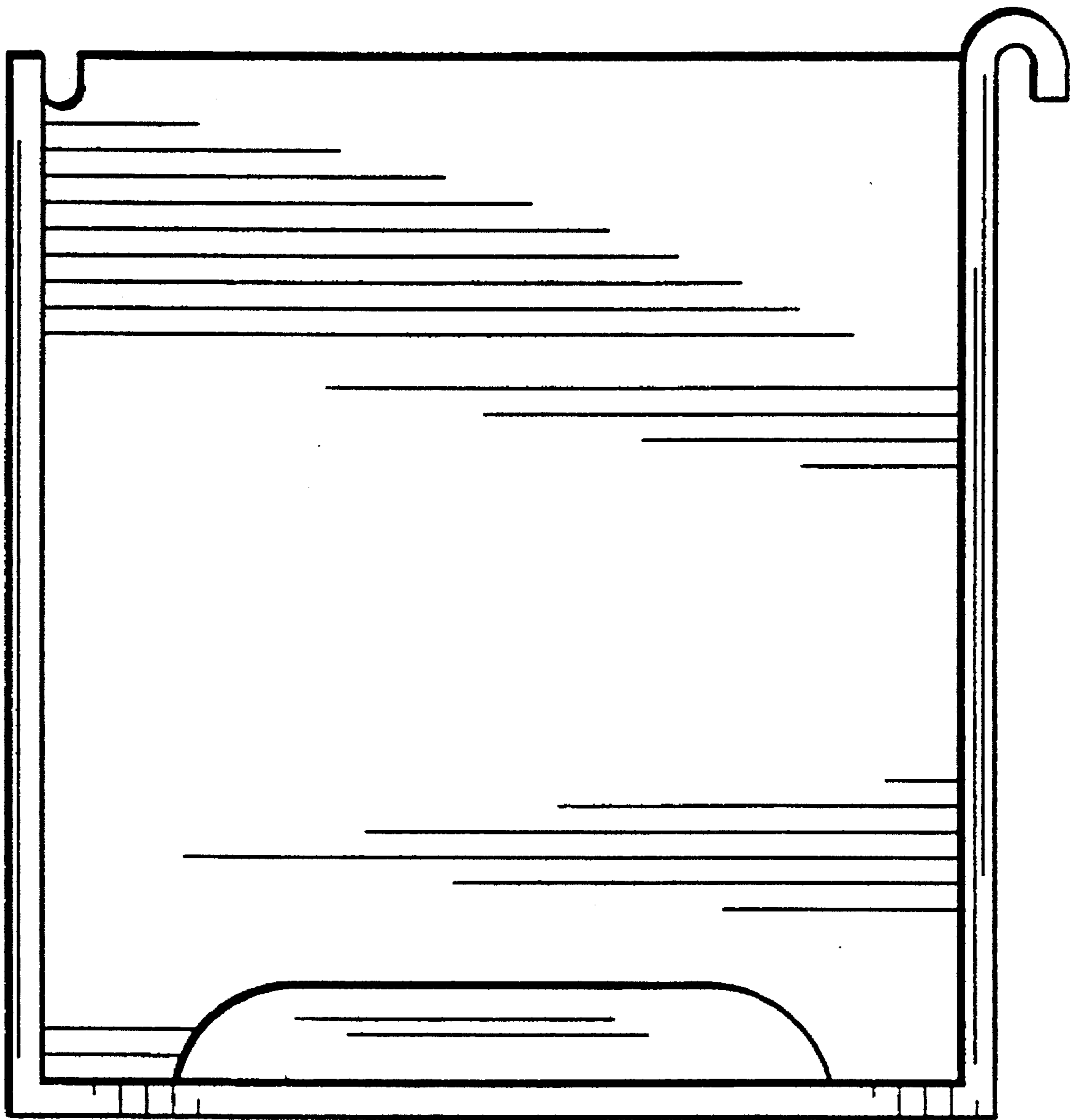


FIG. 2

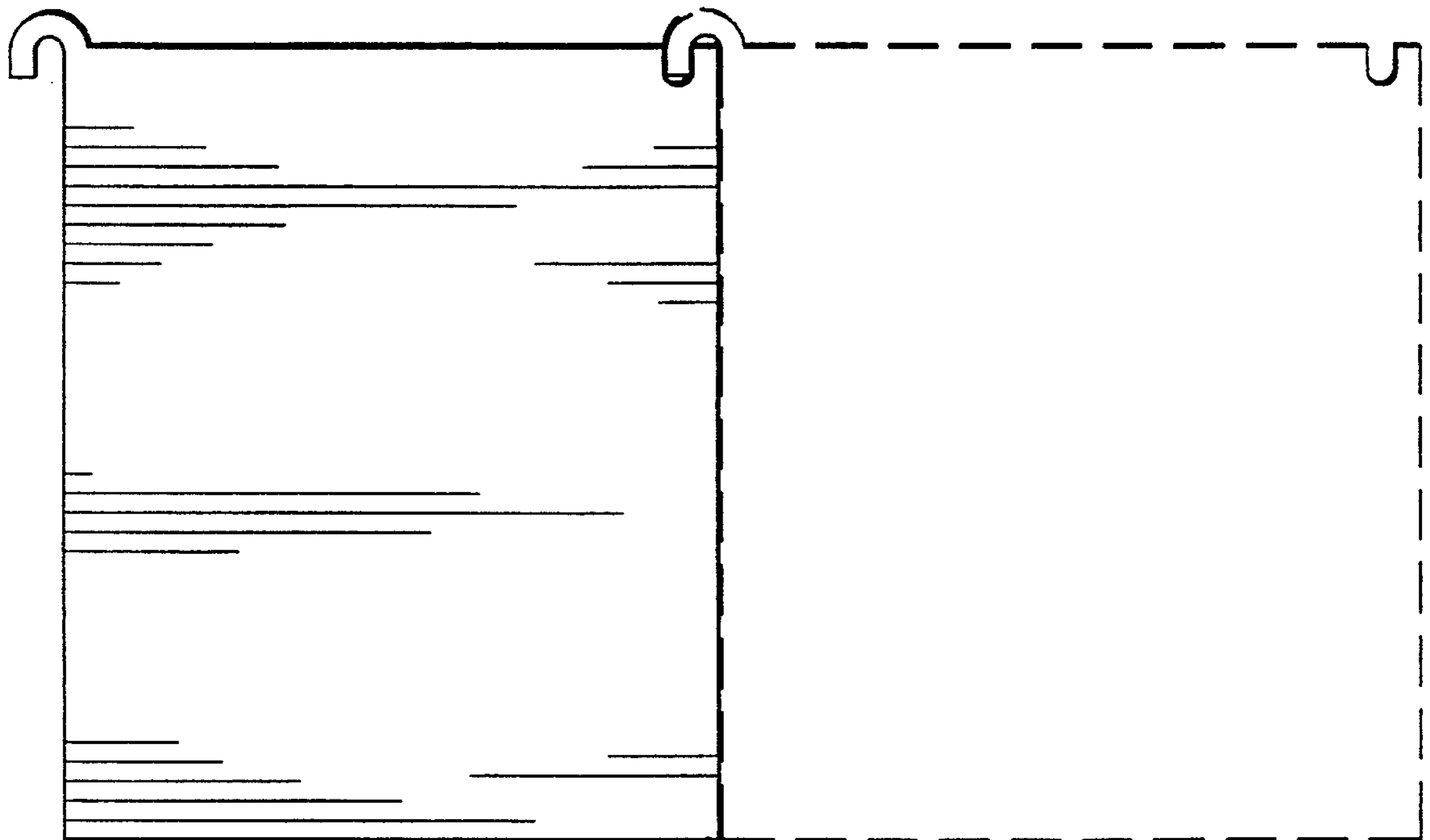


FIG. 3

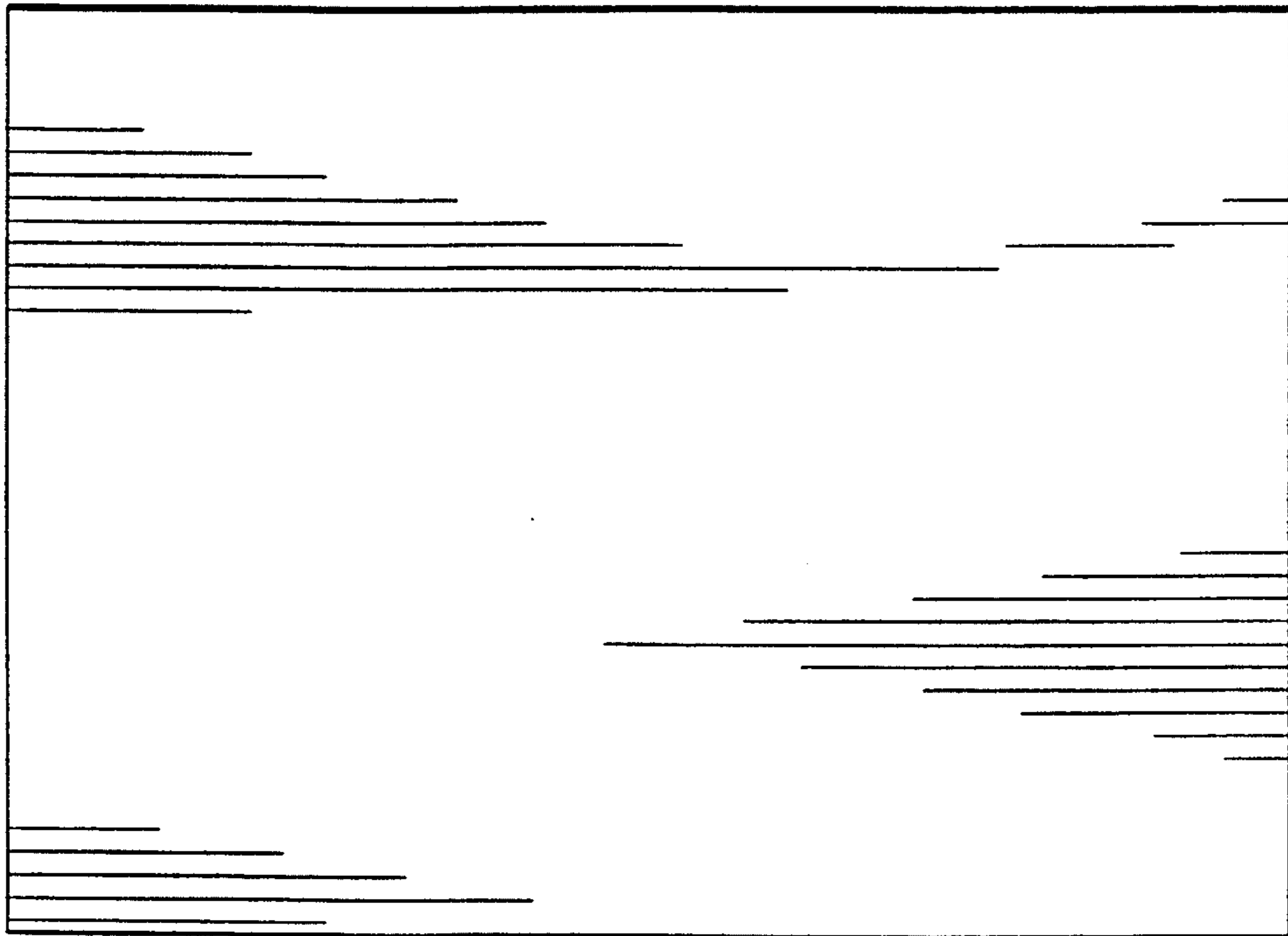


FIG. 4

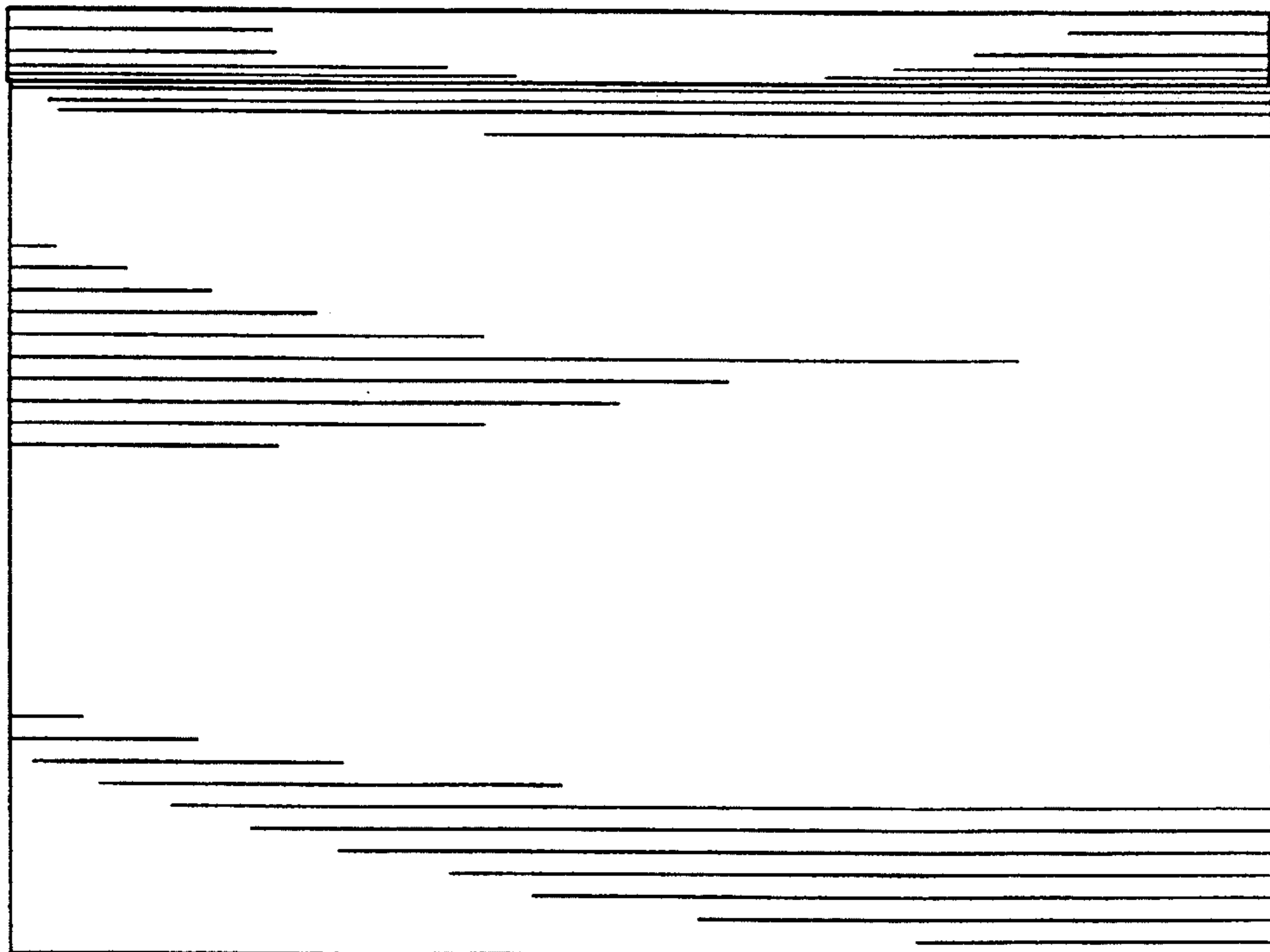


FIG. 5

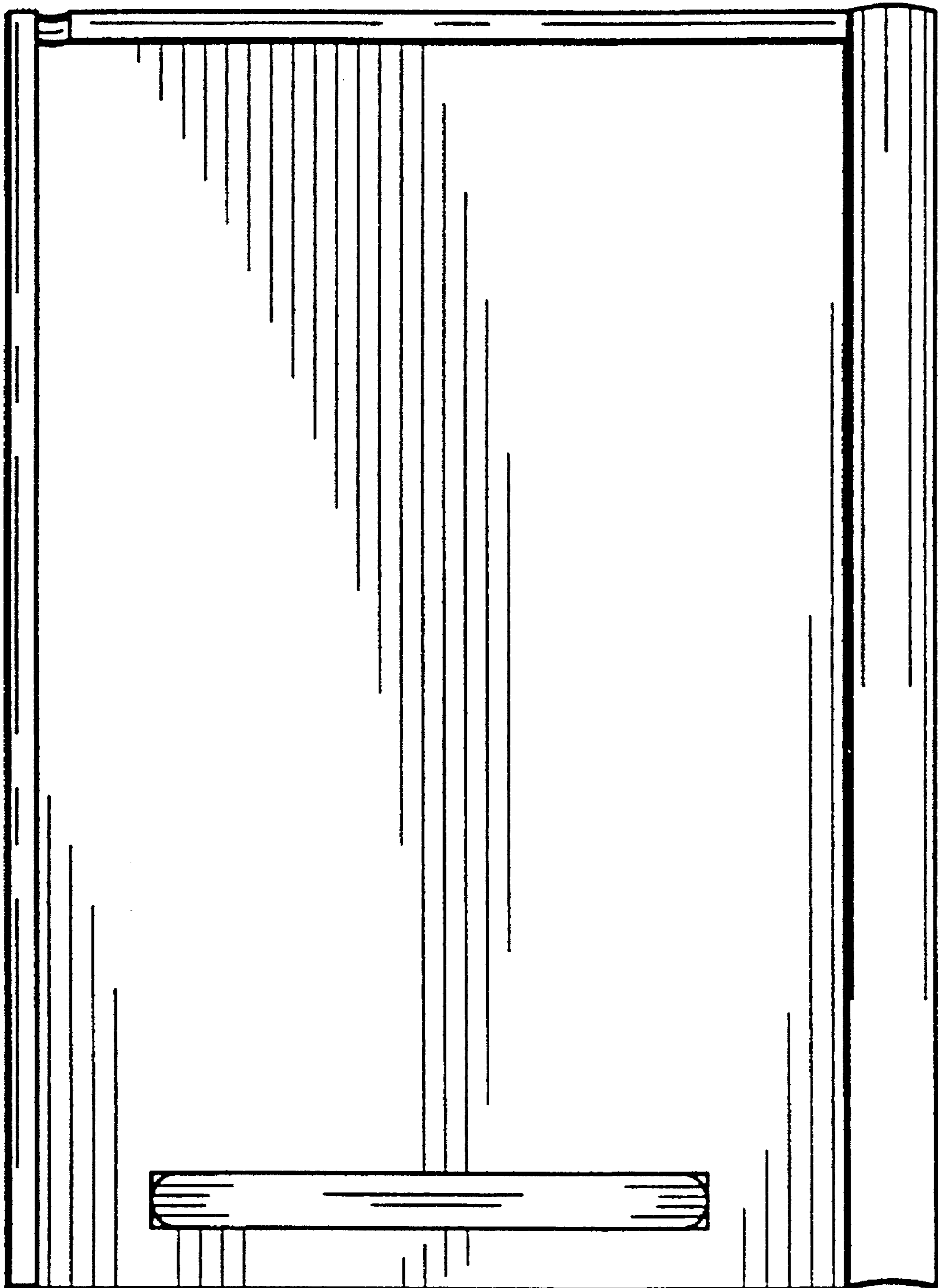


FIG. 6

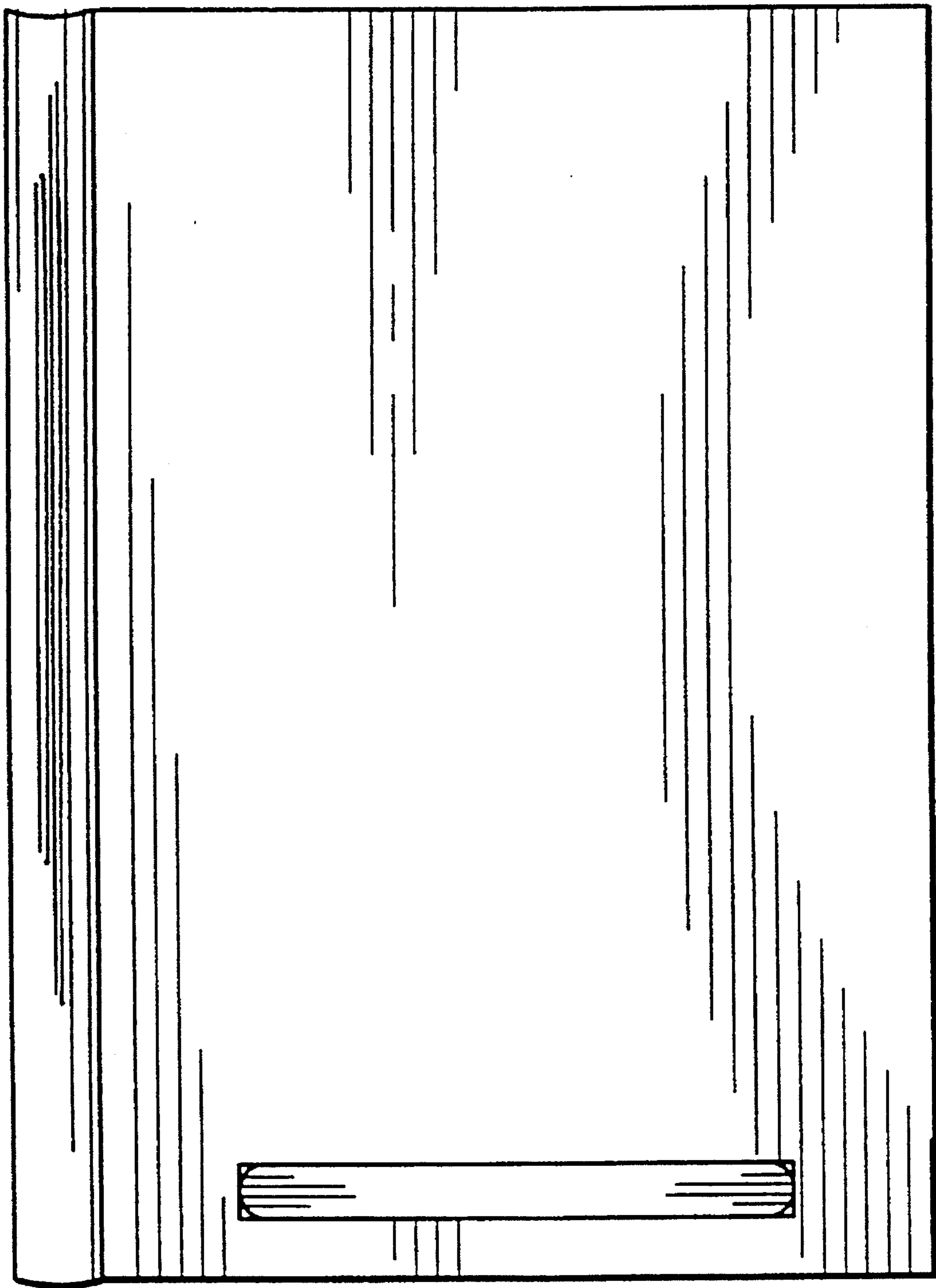


FIG. 7