



US00D371234S

United States Patent [19] Hyche

[11] Patent Number: **Des. 371,234**

[45] Date of Patent: ****Jul. 2, 1996**

[54] CROCHET WORK STATION

D. 309,057 7/1990 Peters D3/26

[76] Inventor: **Alice L. Hyche**, 9405 Indian Springs Dr., Roswell, Ga. 30075

Primary Examiner—Ralf Seifert
Attorney, Agent, or Firm—Hopkins & Thomas

[**] Term: **14 Years**

[57] CLAIM

[21] Appl. No.: **32,601**

The ornamental design of a crochet work station, as shown and described.

[22] Filed: **Dec. 21, 1994**

[52] U.S. Cl. **D3/26**

[58] Field of Search D3/26, 23, 24,
D3/25; 248/441.1; 242/134, 146, 132, 129.5,
136, 118.3; 66/1 A

DESCRIPTION

FIG. 1 is a perspective view of a crochet work station showing my new design;

FIG. 2 is a front elevational view thereof;

FIG. 3 is a left side elevational view thereof;

FIG. 4 is a rear elevational view thereof;

FIG. 5 is a right side elevational view thereof;

FIG. 6 is a top plan view thereof; and,

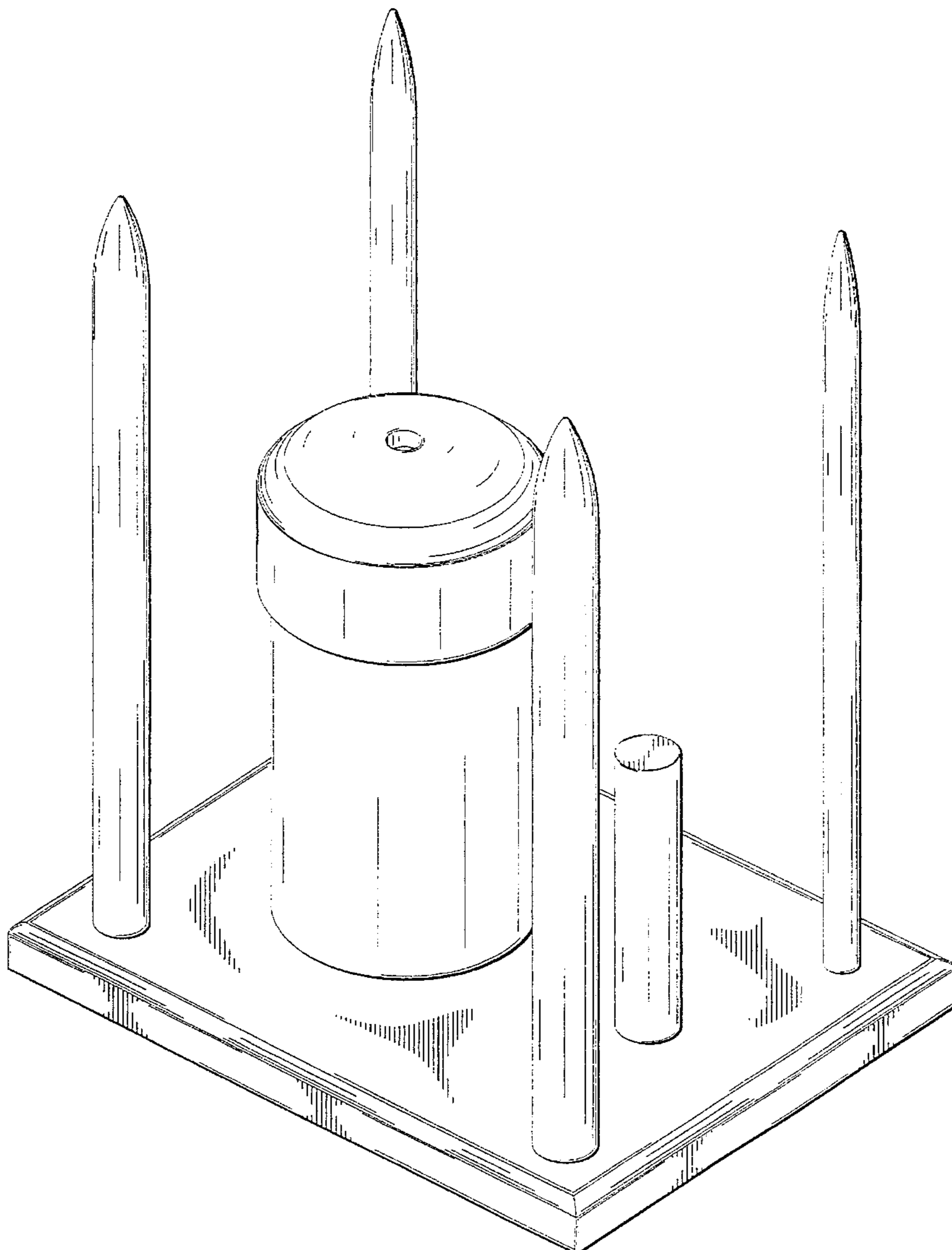
FIG. 7 is a bottom plan view thereof.

[56] References Cited

U.S. PATENT DOCUMENTS

D. 244,754	6/1977	Bard	D3/26
D. 244,755	6/1977	Bard	D3/26
D. 266,799	11/1982	Mace	D3/23
D. 293,976	2/1988	Dutton et al.	D3/26

1 Claim, 4 Drawing Sheets



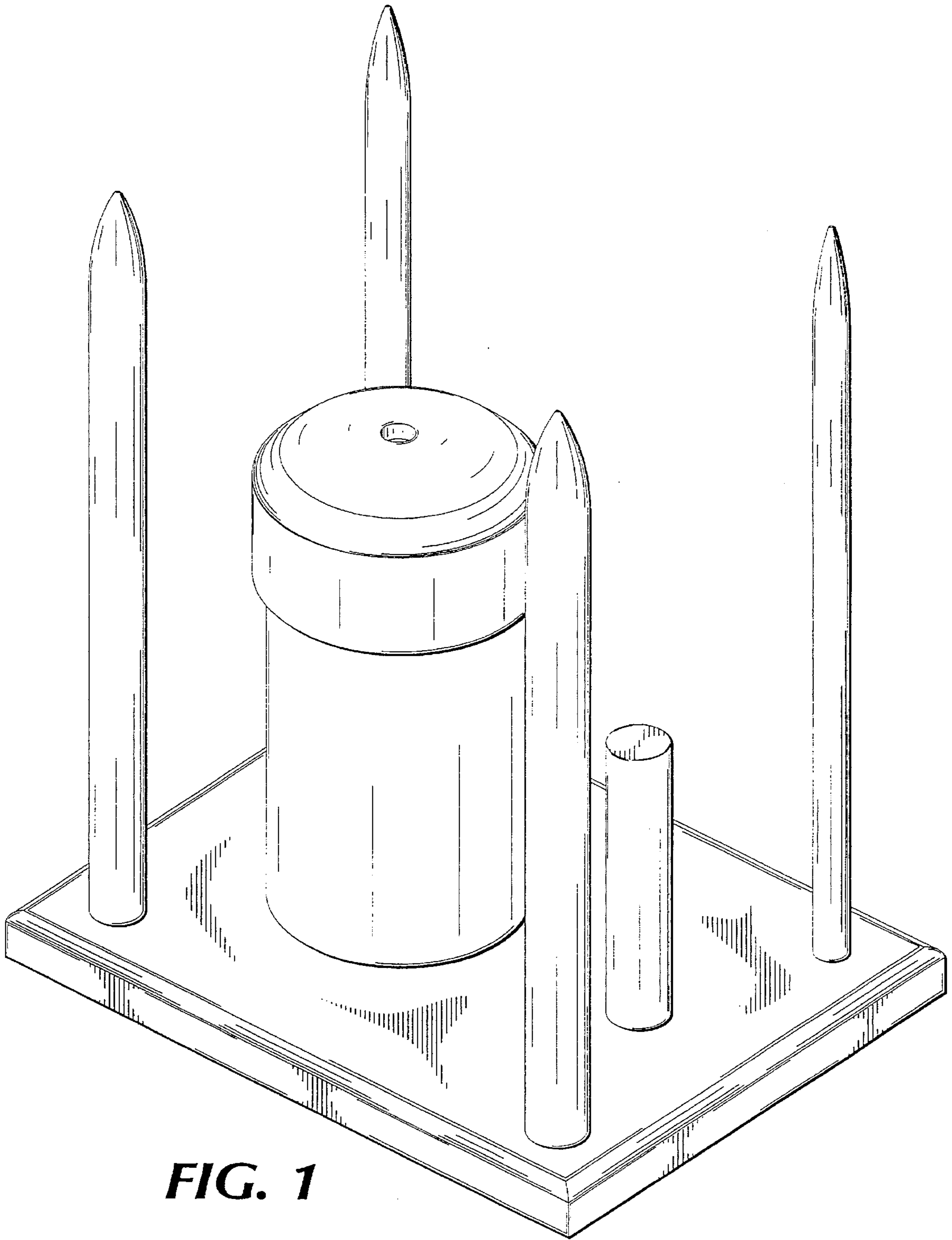


FIG. 1

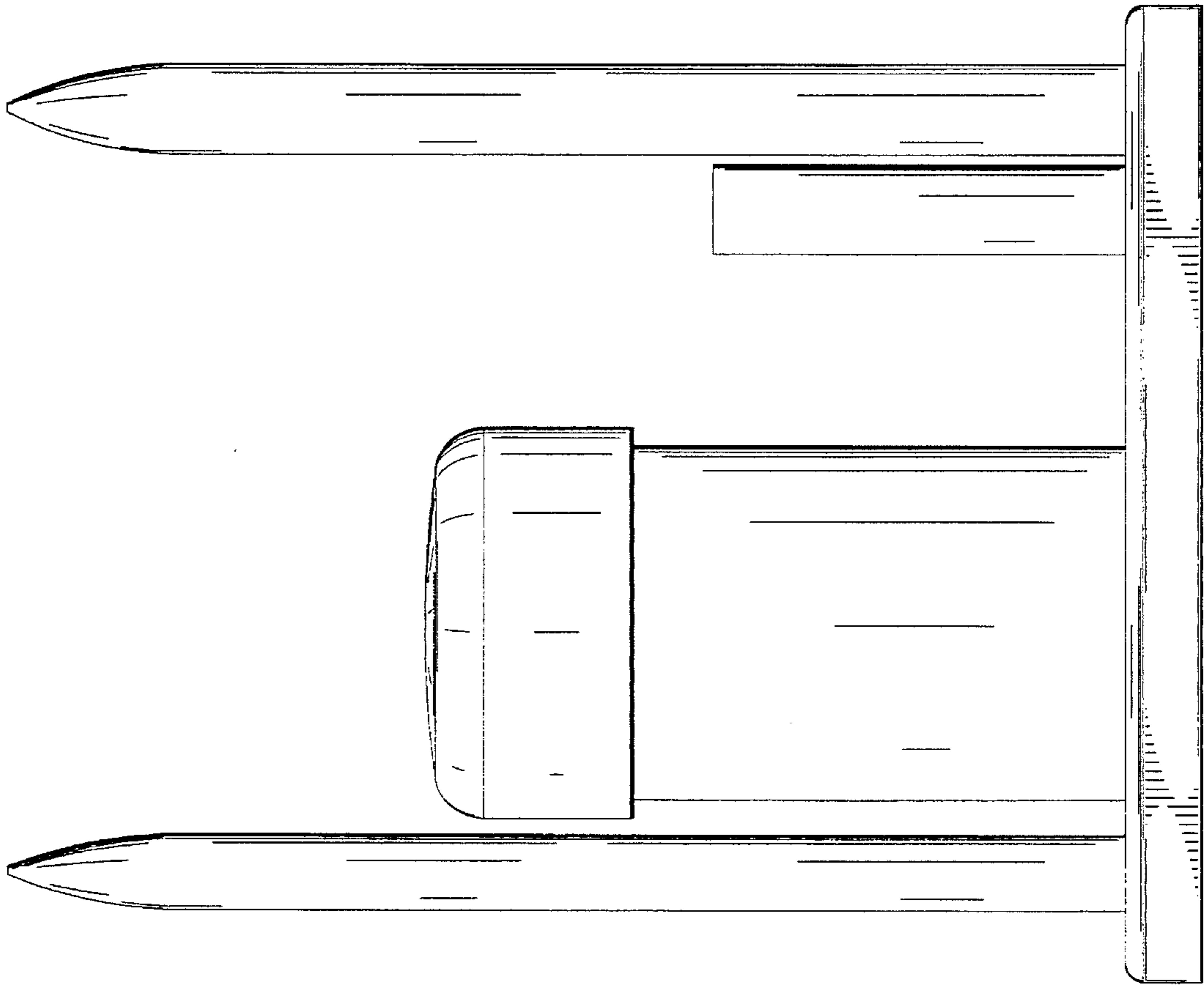


FIG. 3

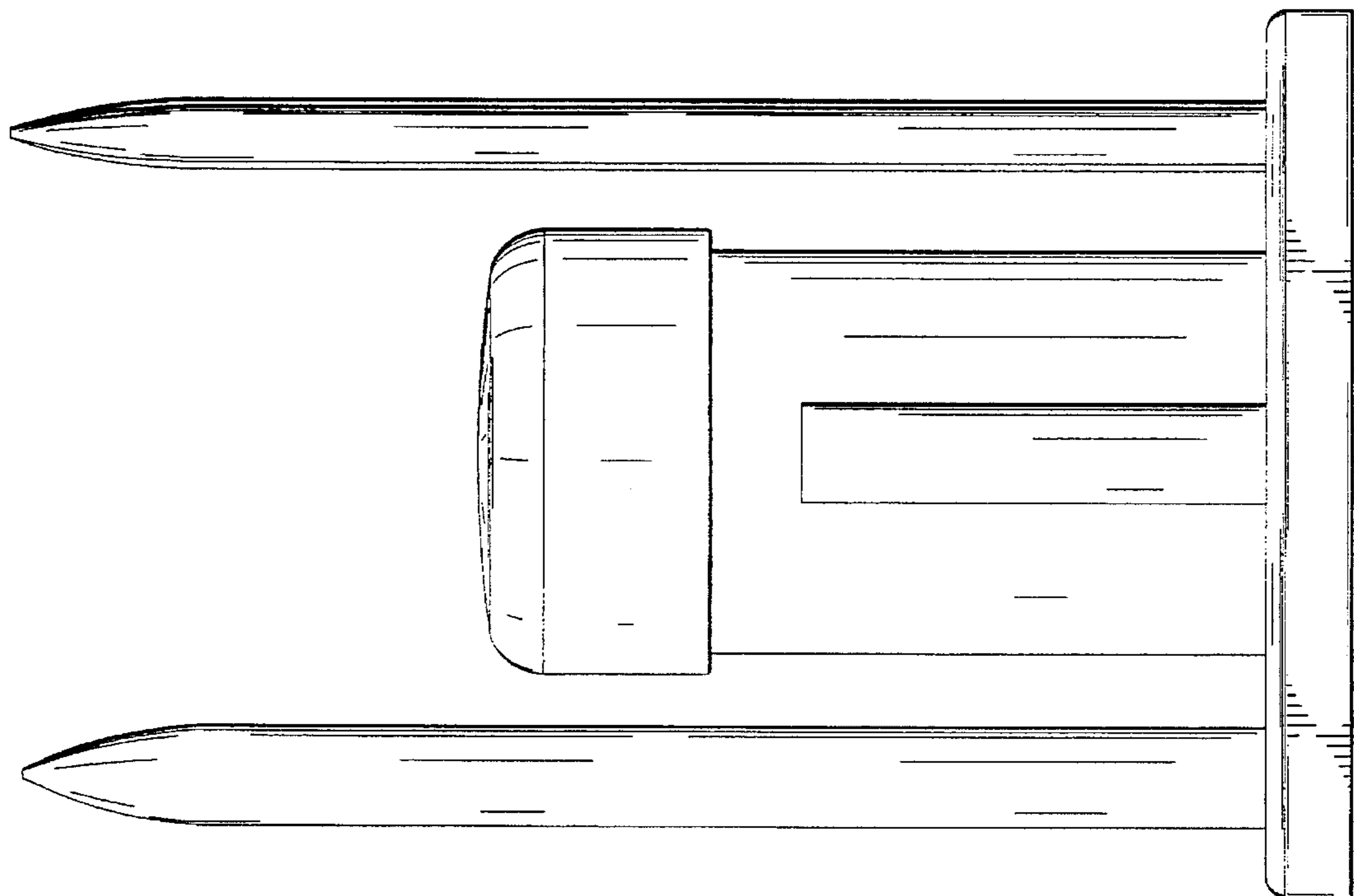


FIG. 2

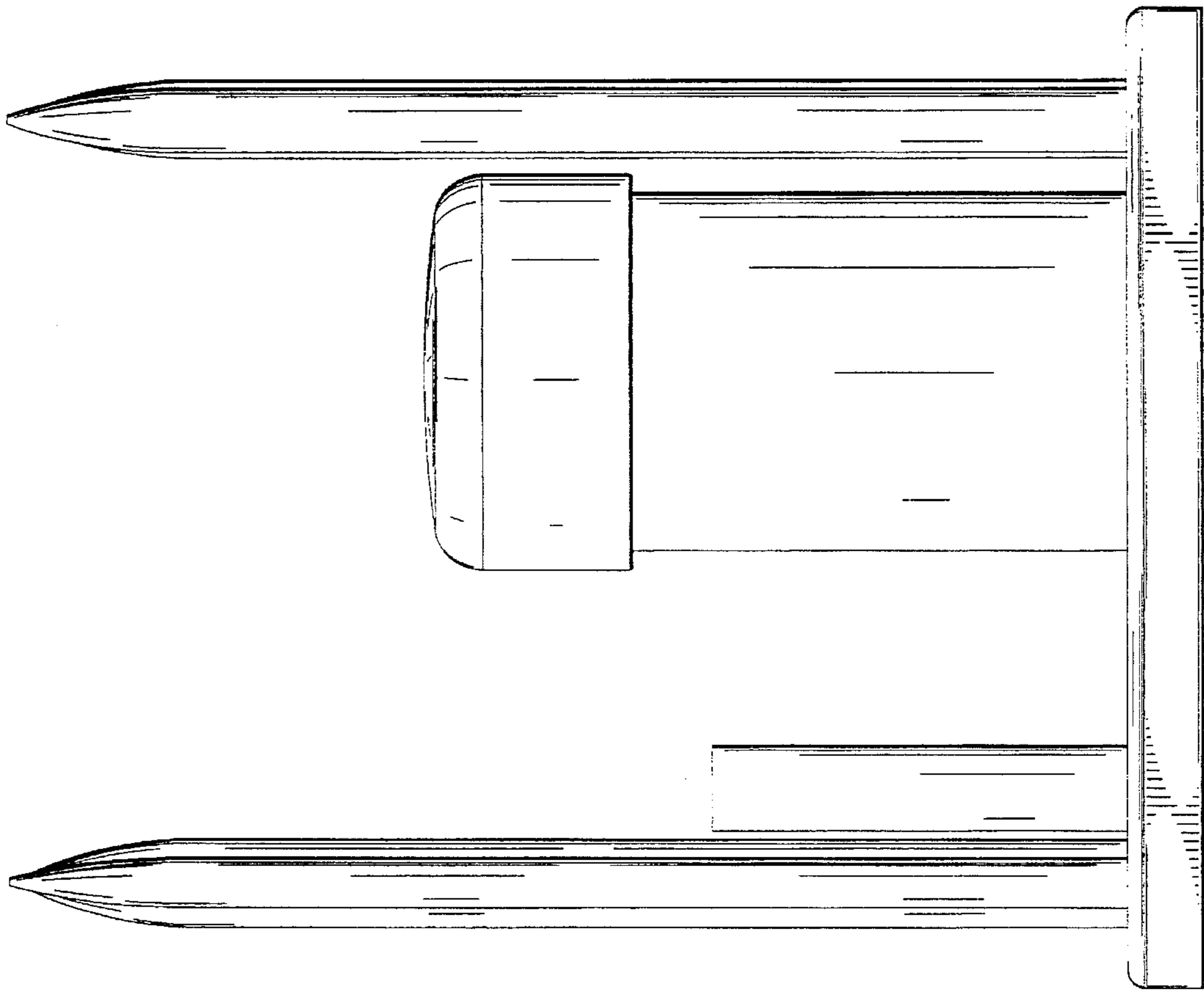


FIG. 5

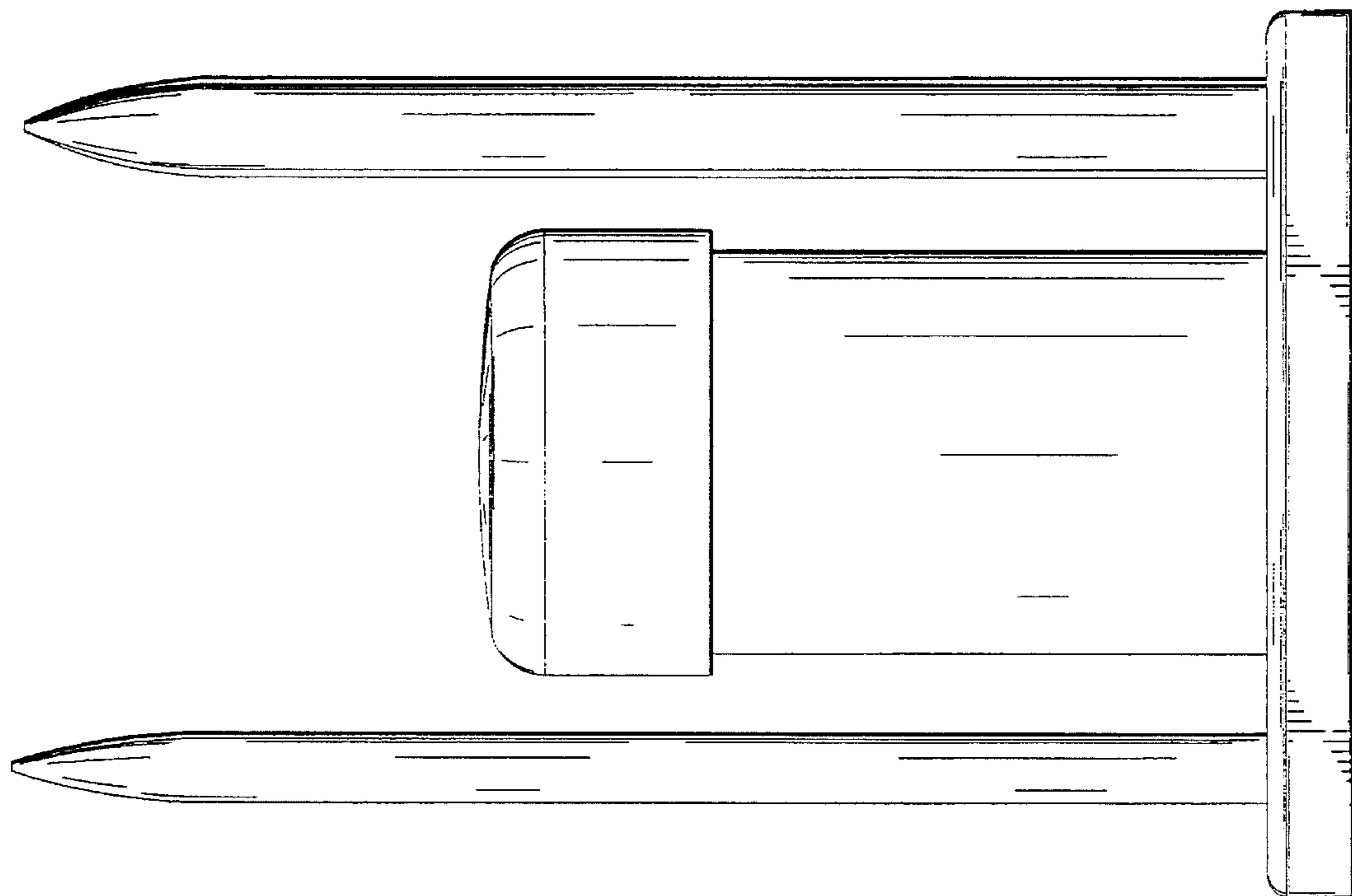


FIG. 4

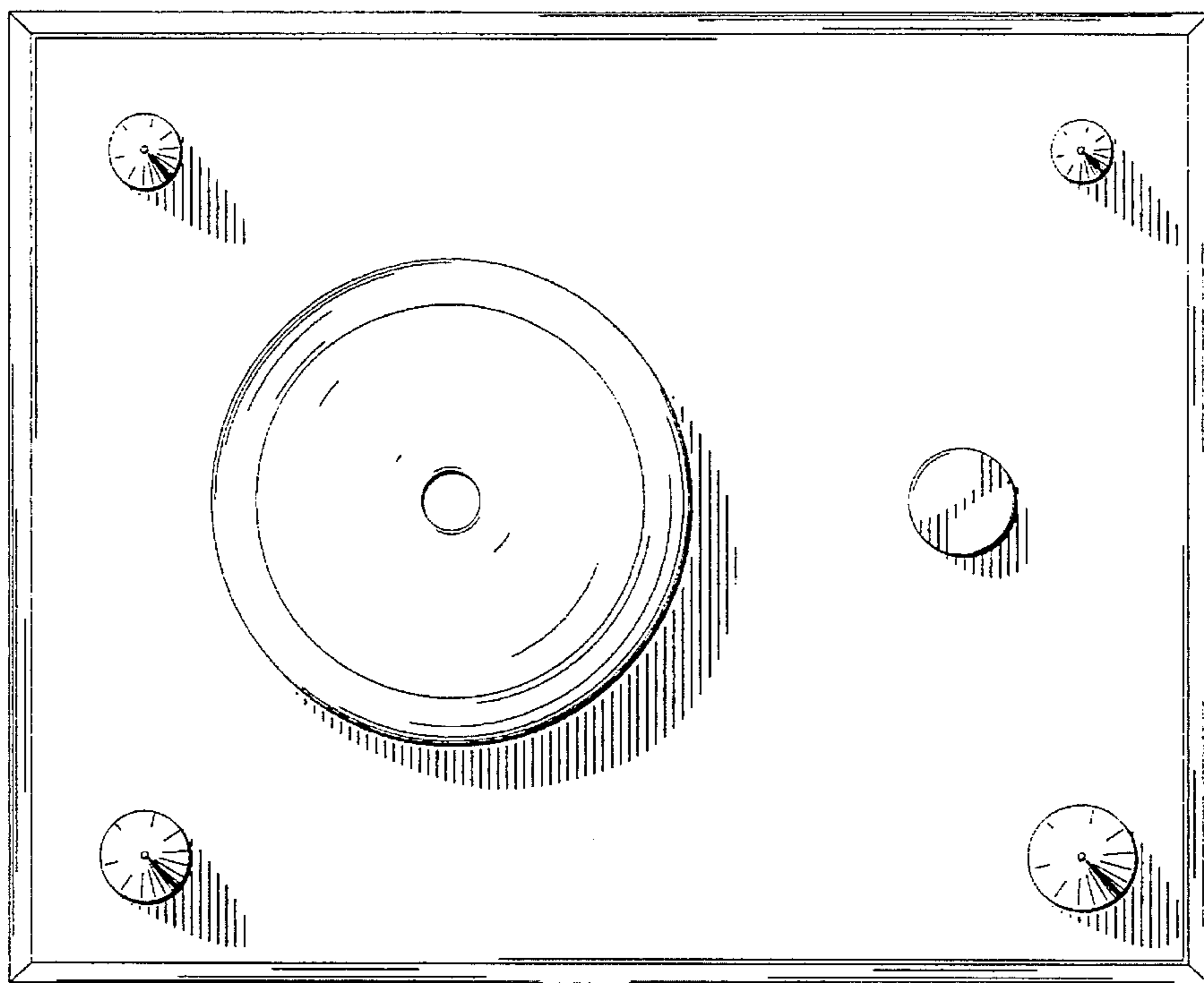


FIG. 6

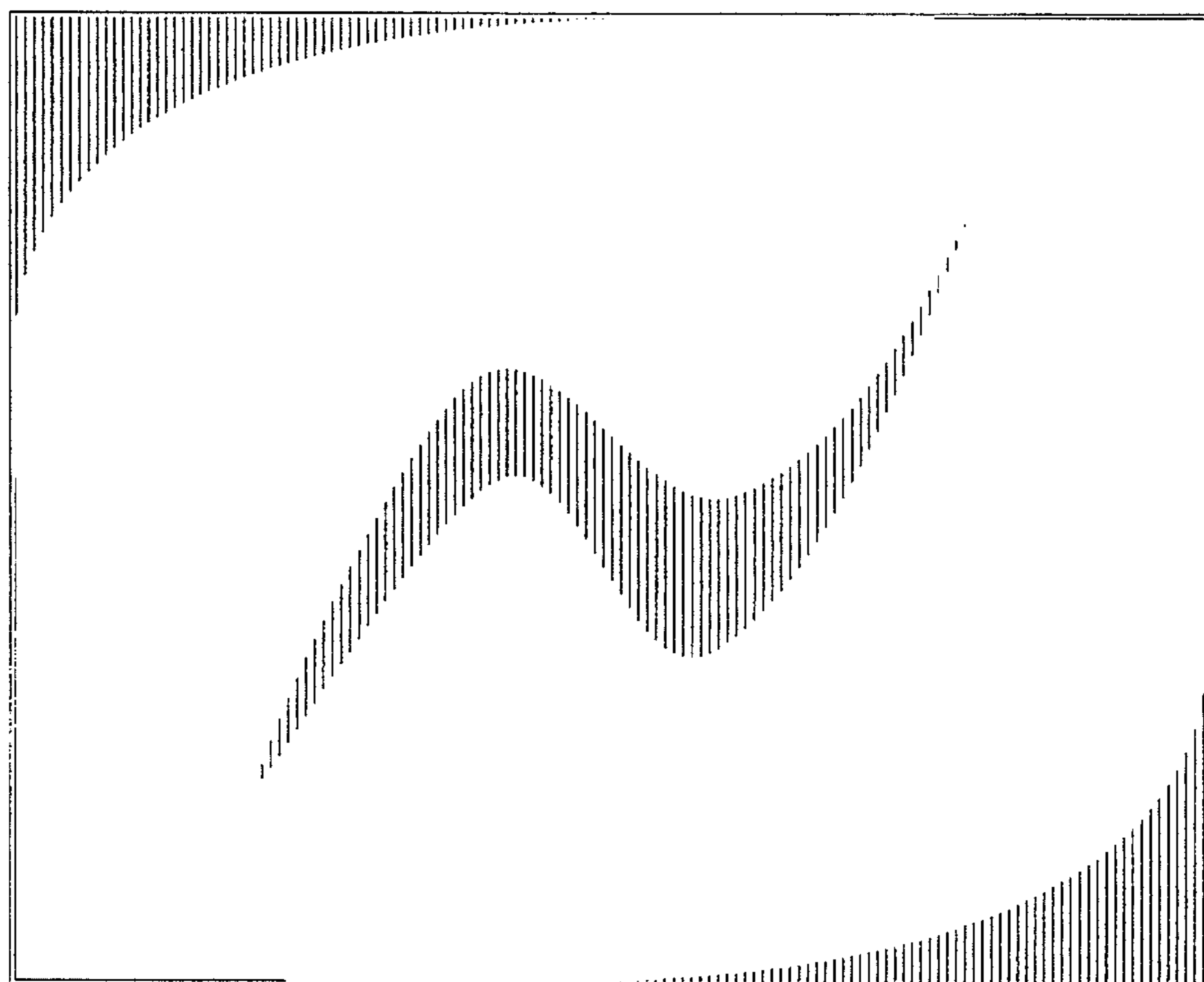


FIG. 7