



US00D371228S

United States Patent [19]

[11] Patent Number: **Des. 371,228**

Monin

[45] Date of Patent: ****Jun. 25, 1996**

[54] **ROUND BALE FEEDER**

5,158,040 10/1992 Martin 119/58

[75] Inventor: **Joseph E. Monin**, Bardstown, Ky.

5,311,840 5/1994 Rumbaugh 119/60

5,386,800 2/1995 Pirak 119/60

[73] Assignee: **Agri-Supply Mfg., Inc.**, Bardstown, Ky.

FOREIGN PATENT DOCUMENTS

[**] Term: **14 Years**

627553 10/1927 France 119/60

2598281 11/1987 France 119/60

90439 9/1921 Switzerland 119/61

777945 12/1957 United Kingdom 119/60

[21] Appl. No.: **31,867**

2154418A 9/1985 United Kingdom .

2203322 10/1988 United Kingdom 119/60

[22] Filed: **Dec. 8, 1994**

[52] U.S. Cl. **D30/121; D30/131**

Primary Examiner—Cathy Anne MacCormac
Attorney, Agent, or Firm—King and Schickli

[58] Field of Search 119/60, 58, 59,
119/61; D30/121–122, 131–133

[57] CLAIM

[56] References Cited

The ornamental design for a round bale feeder, as shown and illustrated in the drawings.

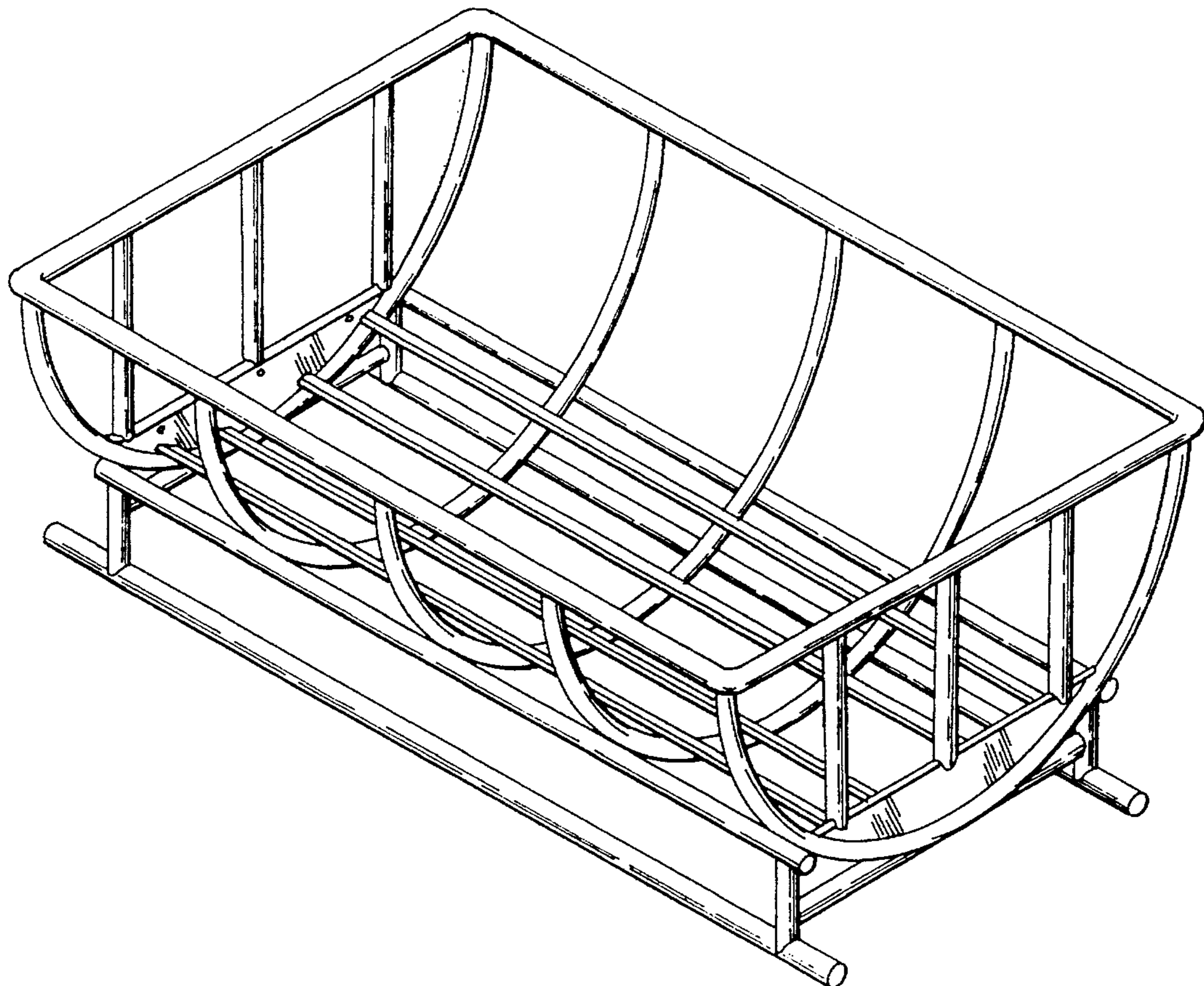
U.S. PATENT DOCUMENTS

DESCRIPTION

42,927	5/1864	Close	119/58
329,500	11/1885	Streator	119/59
D. 359,593	6/1995	Schultz	D30/131
3,824,962	7/1974	Topham	119/61
4,020,794	5/1977	Nethery	119/58
4,253,424	3/1981	Williams	119/61
4,258,663	3/1981	Schoessow	119/58
4,285,300	8/1981	Spane	119/58
5,067,442	11/1991	Schilling	119/60
5,076,752	12/1991	Rader	119/60

FIG. 1 is an overall perspective view of the round bale feeder of the present invention;
FIG. 2 is a front and rear elevational view thereof;
FIG. 3 is a top plan view thereof;
FIG. 4 is a bottom plan view thereof; and,
FIG. 5 is a left and right side elevational view thereof.

1 Claim, 2 Drawing Sheets



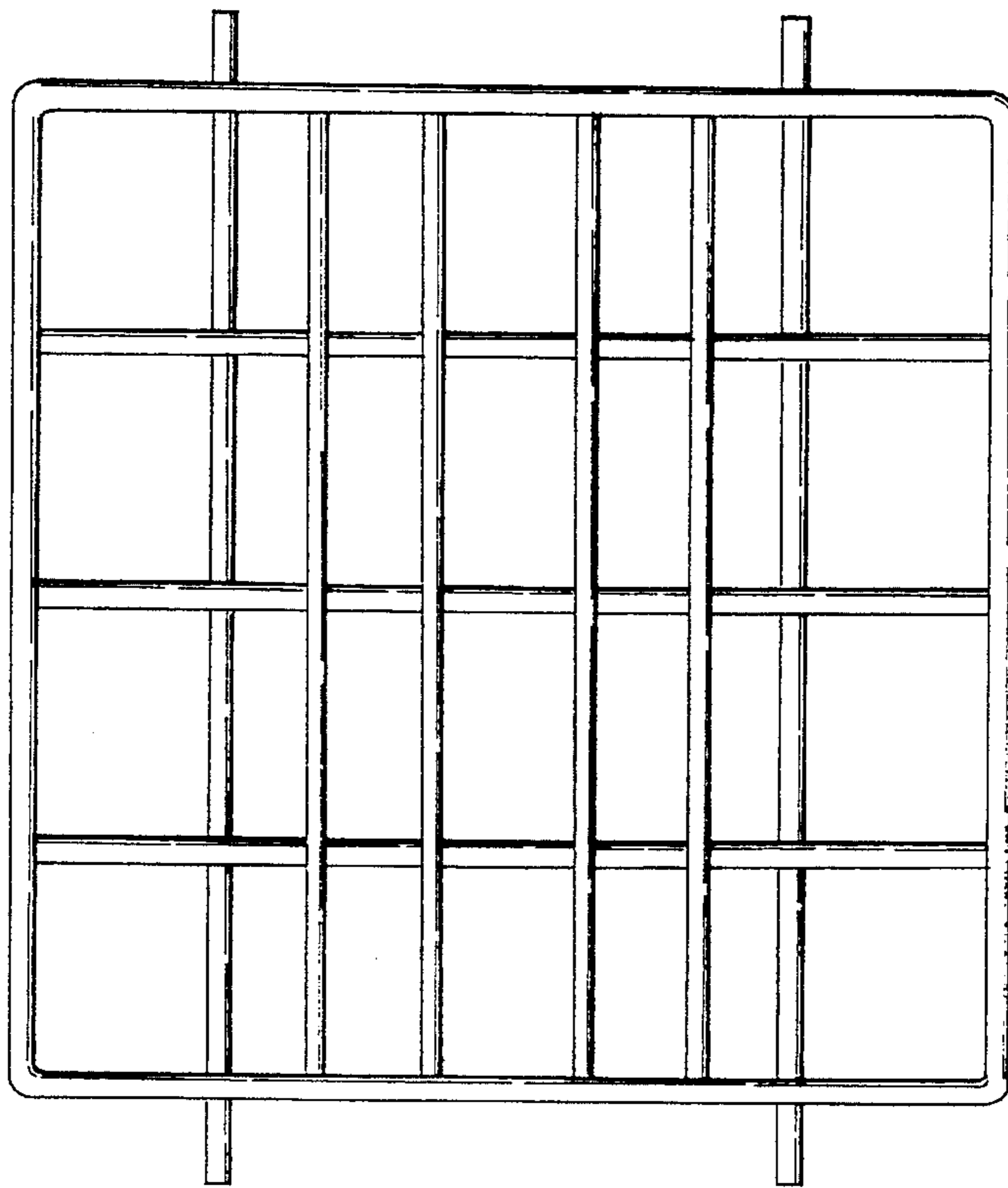


Fig. 3

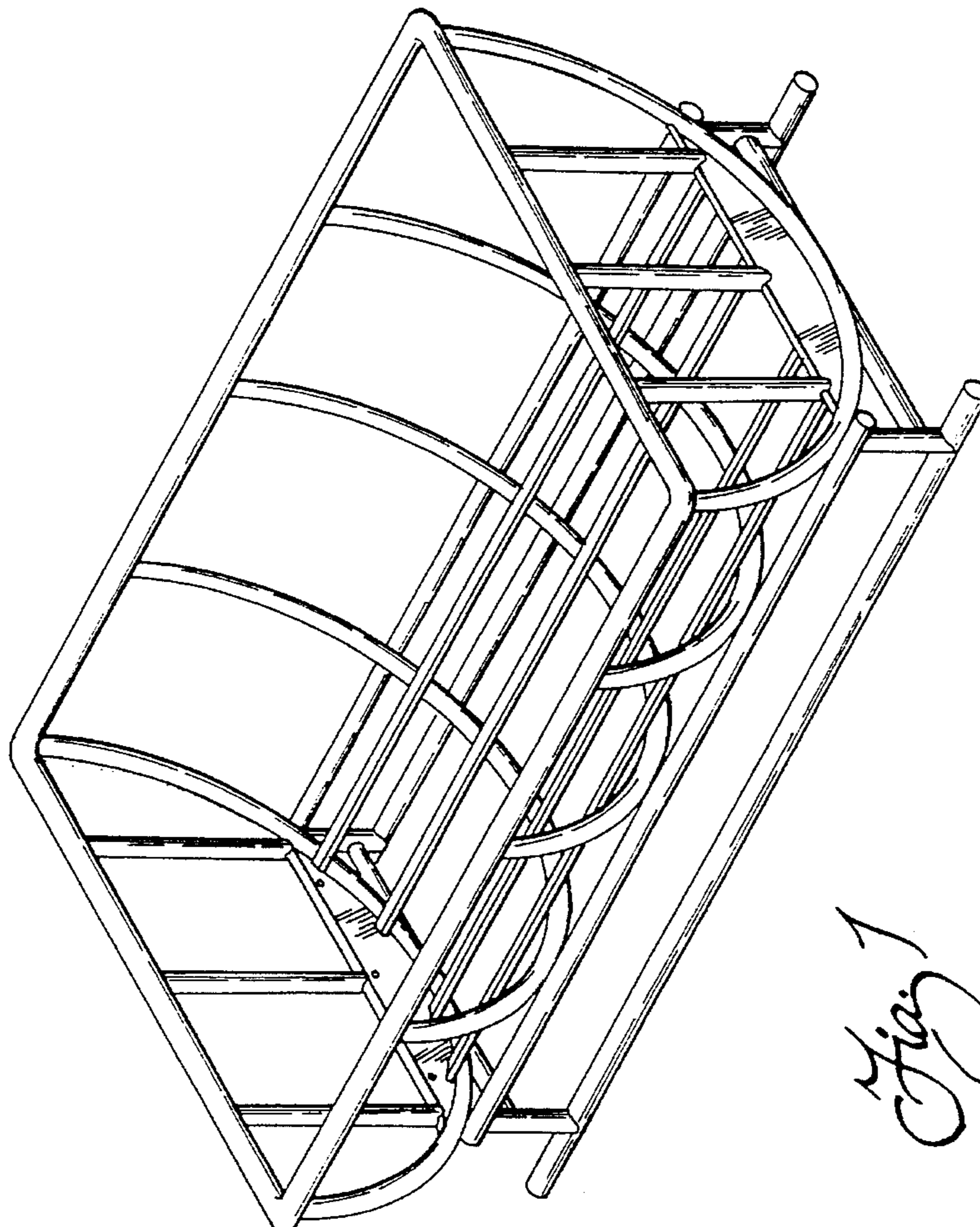


Fig. 1

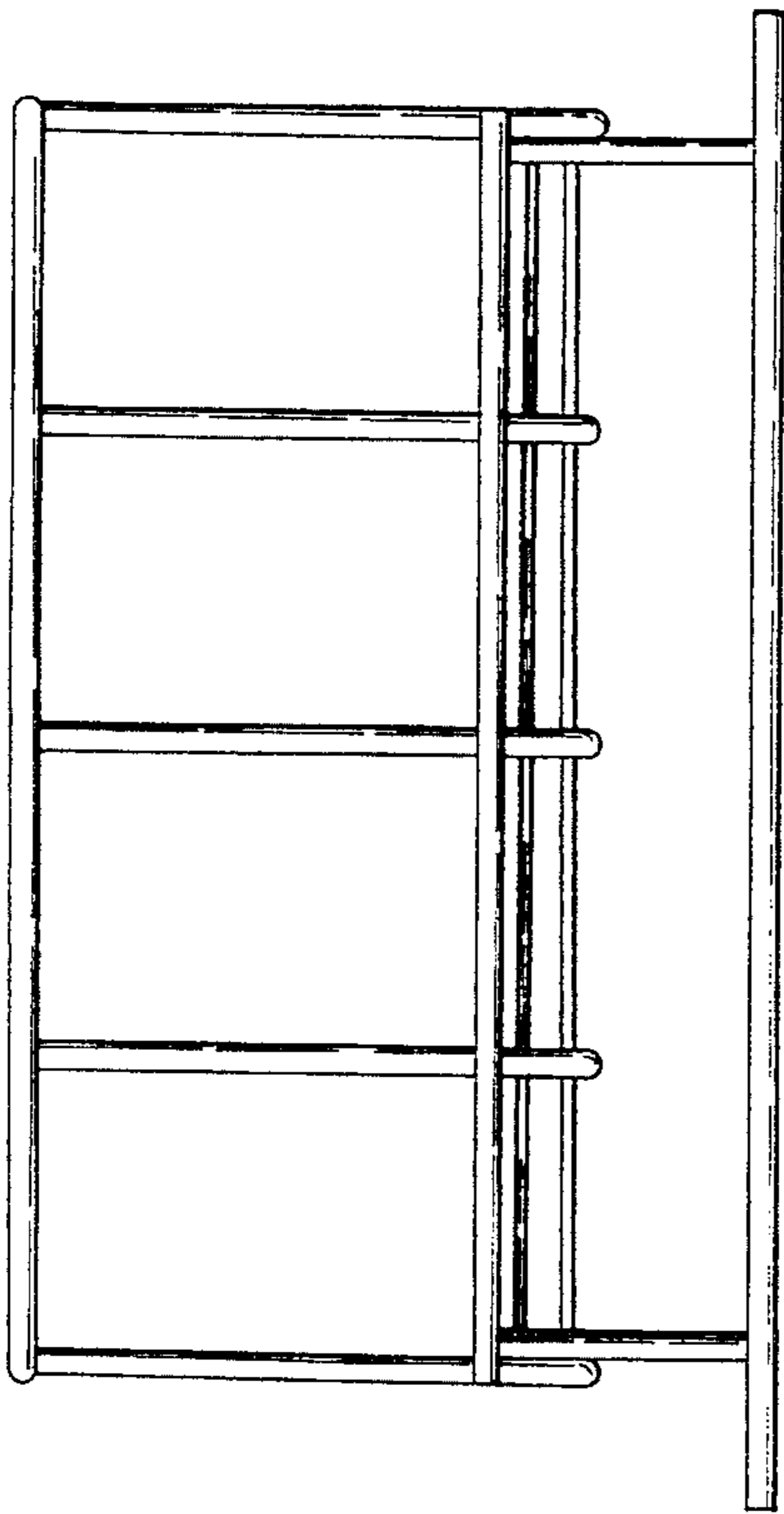


Fig. 1

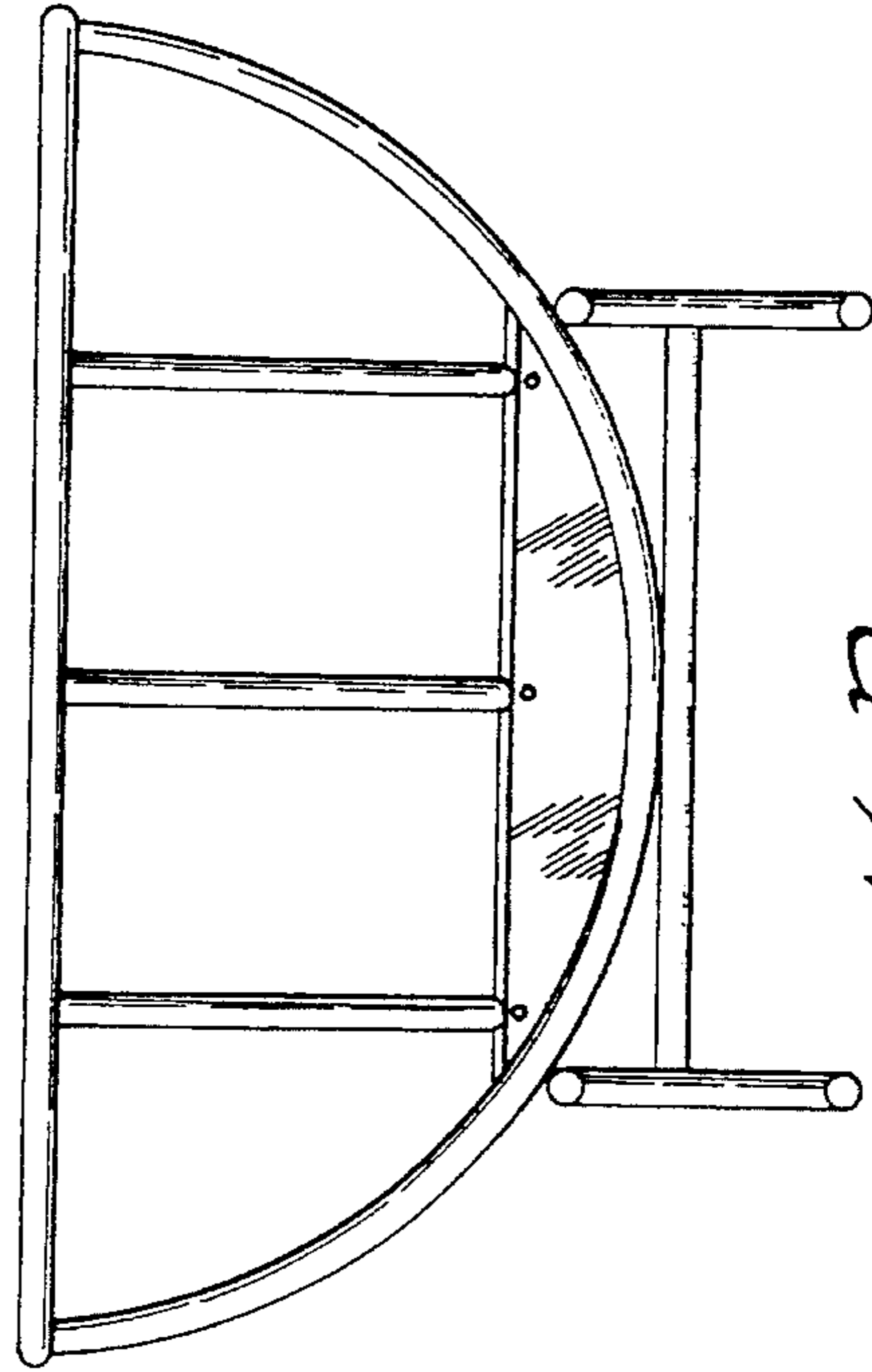


Fig. 2

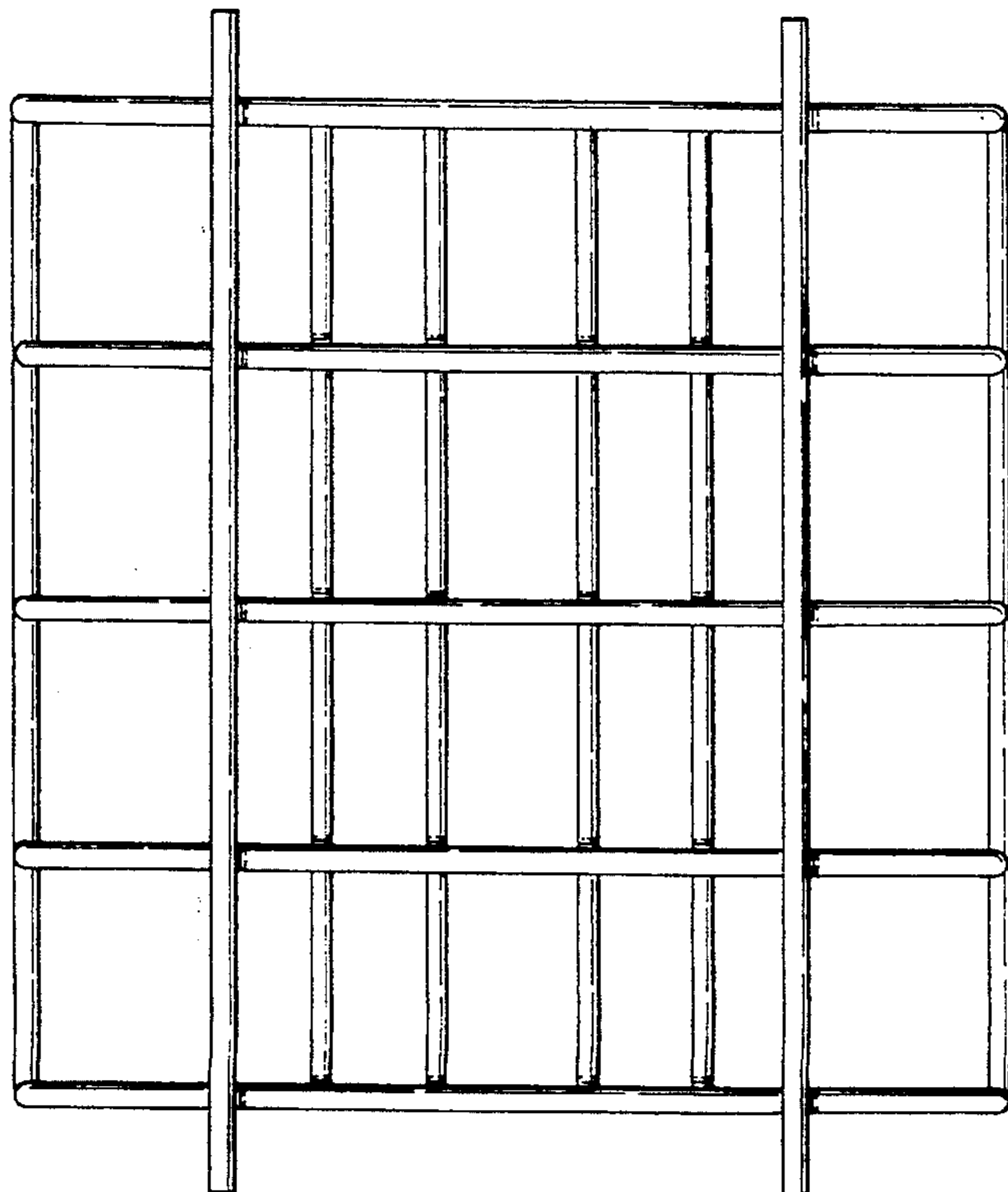


Fig. 3