



US00D371226S

United States Patent [19]

[11] **Patent Number: Des. 371,226**

Lee

[45] **Date of Patent: **Jun. 25, 1996**

[54] **BIRD ACTIVITY PERCH TREE**
[76] Inventor: **Yuk-Ching Lee**, 48 Flower Market Road, 2F, Kowloon, Hong Kong

2,718,209 9/1955 Ross D30/119
2,808,807 10/1957 Winton et al. D30/119
3,911,866 10/1975 Dodd 119/26
4,542,714 9/1985 Ingraham et al. 119/708

[**] Term: **14 Years**

FOREIGN PATENT DOCUMENTS

[21] Appl. No.: **31,559**

30354 8/1964 Germany 119/26
121224 3/1948 Sweden 119/26

[22] Filed: **Nov. 22, 1994**

Primary Examiner—Cathy Anne MacCormac
Attorney, Agent, or Firm—Bradford E. Kile; Ruffin B. Cordell; Michael J. McKeon

[30] **Foreign Application Priority Data**

May 24, 1994 [GB] United Kingdom 2039212

[57] **CLAIM**

[52] **U.S. Cl.** **D30/119**

The ornamental design for an bird activity perch tree, as shown and described.

[58] **Field of Search** 119/24-26, 708; D30/119, 124, 110

DESCRIPTION

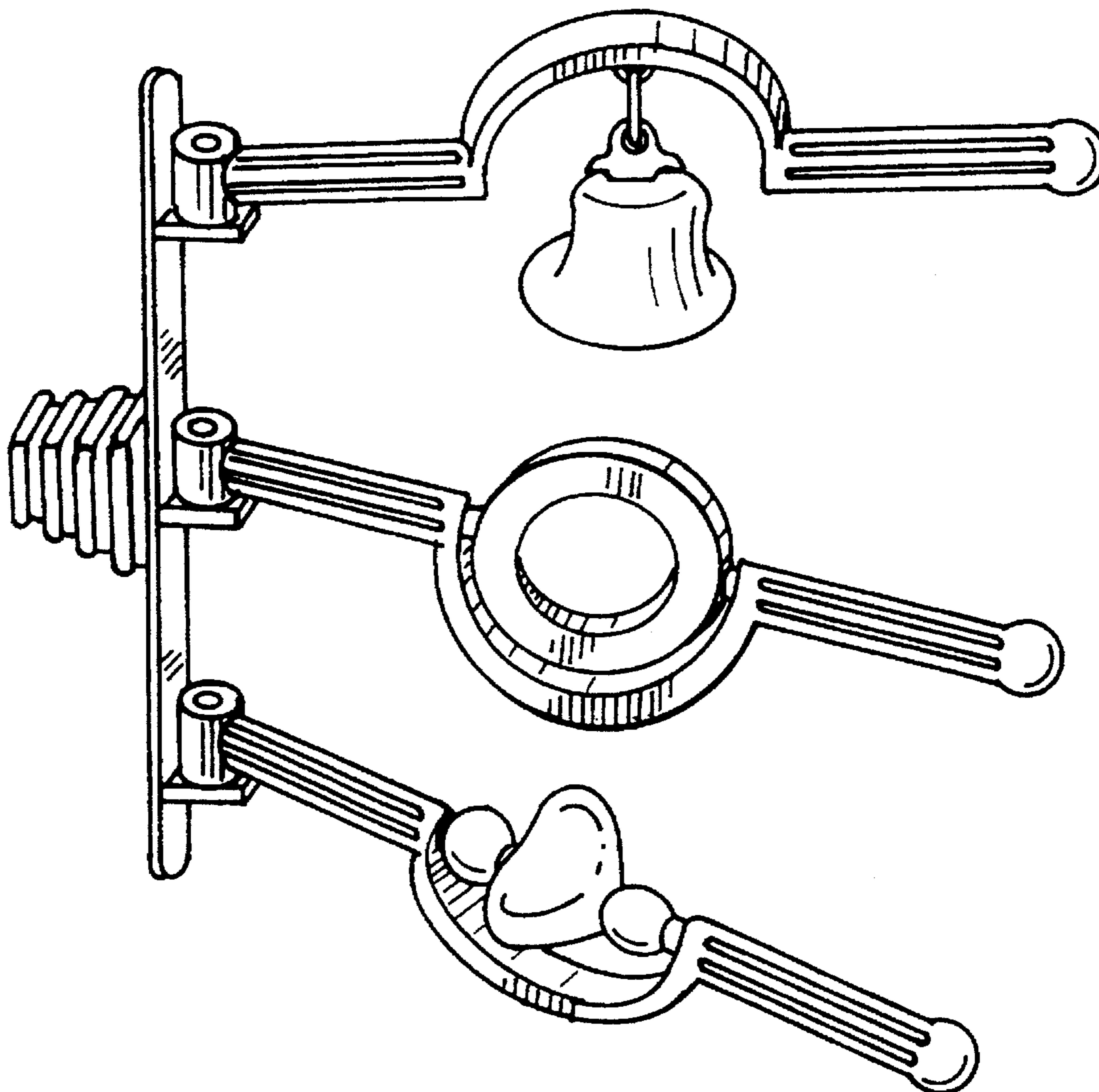
[56] **References Cited**

U.S. PATENT DOCUMENTS

D. 175,292 8/1955 Austgen D30/160
D. 183,655 10/1958 Hansen D30/119
D. 233,770 11/1974 Clark et al. D30/160
D. 344,673 3/1994 Effron D30/160
D. 353,693 12/1994 Lawson D30/119
2,174,481 9/1939 Rosenfelder 119/25
2,707,937 5/1955 Herman D30/119

FIG. 1 is a front view of an bird activity perch tree; FIG. 2 is a rear view of an bird activity perch tree; FIG. 3 is a top view of an bird activity perch tree; FIG. 4 is a view from underneath an bird activity perch tree; FIG. 5 is a left side view of an bird activity perch tree; FIG. 6 is a right side view of an bird activity perch tree; and, FIG. 7 is a perspective view of an bird activity perch tree.

1 Claim, 4 Drawing Sheets



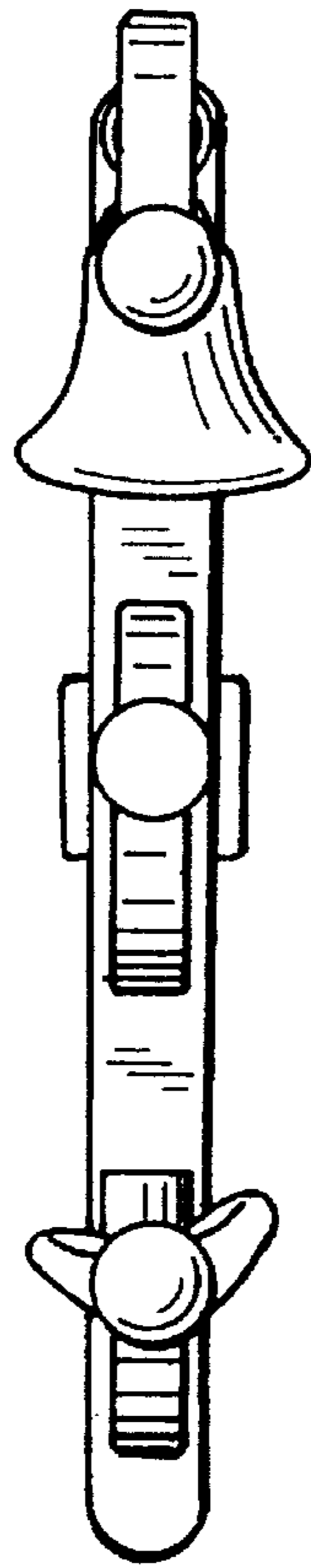


FIG. 1

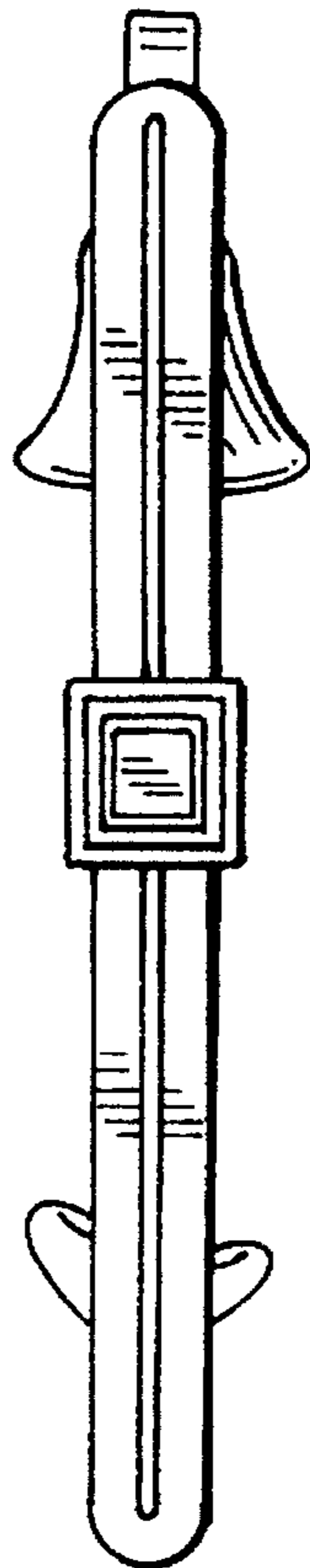


FIG. 2

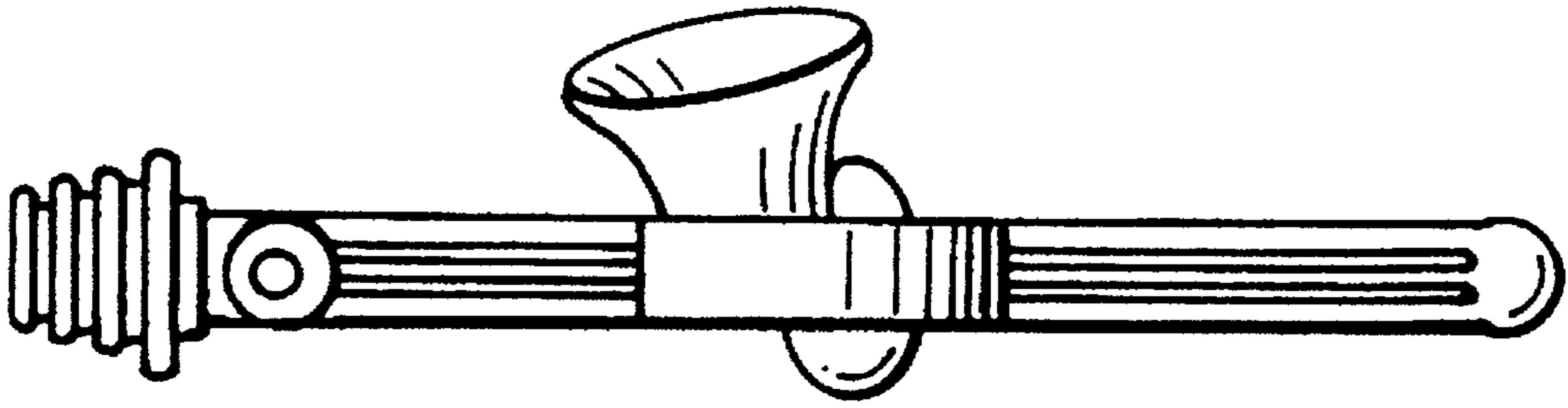


FIG. 3

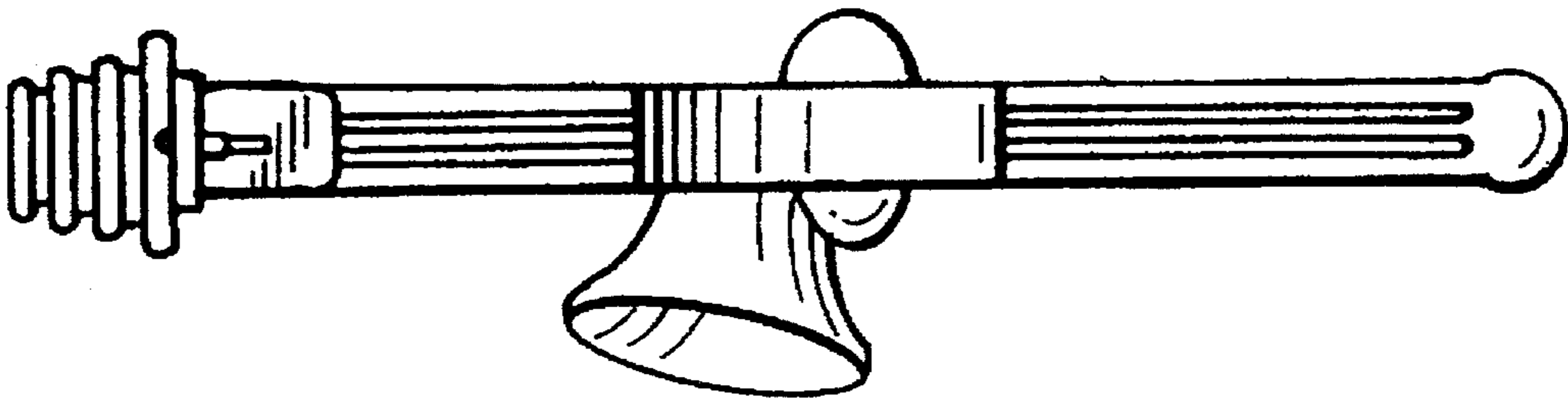


FIG. 4

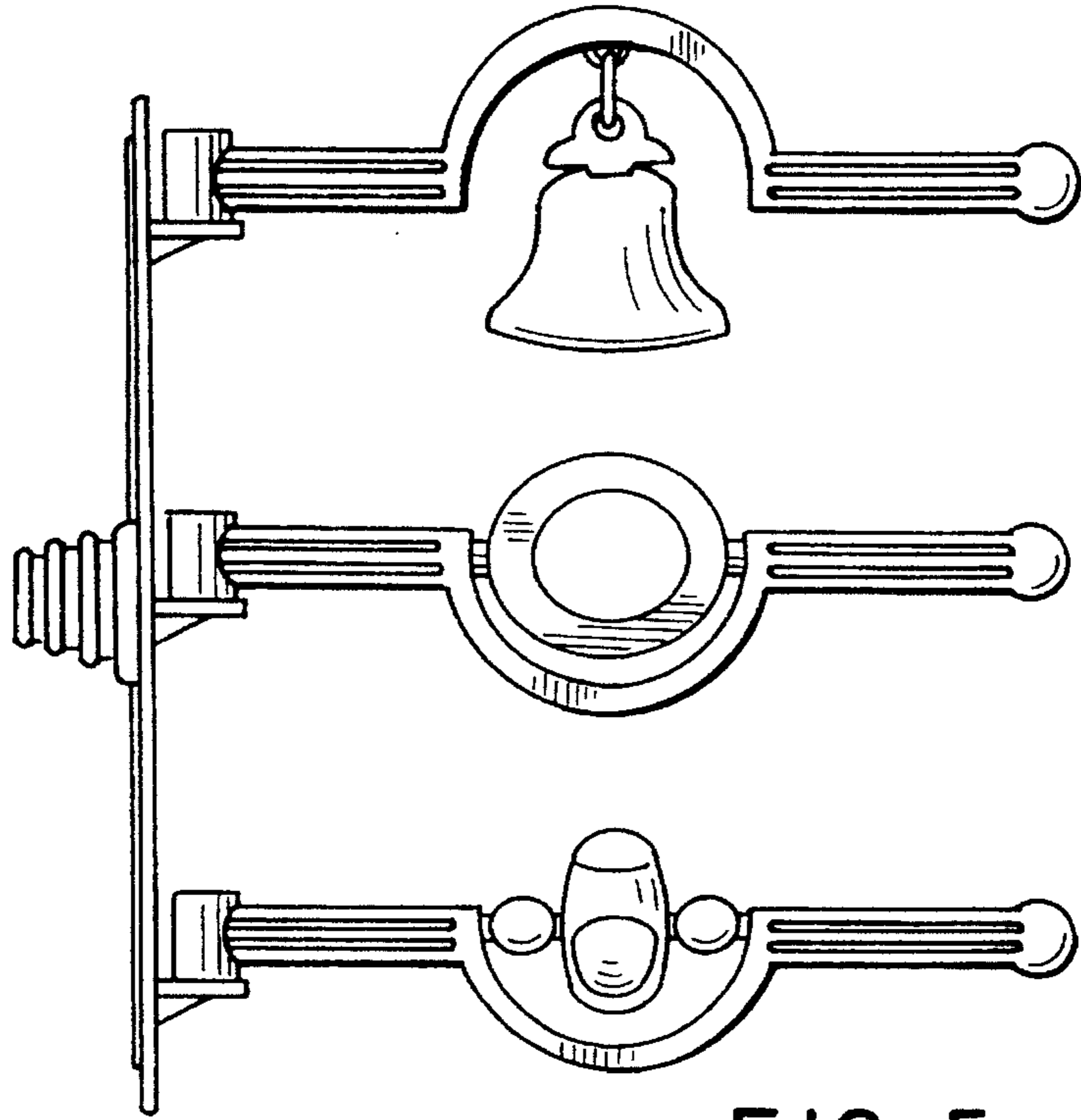


FIG. 5

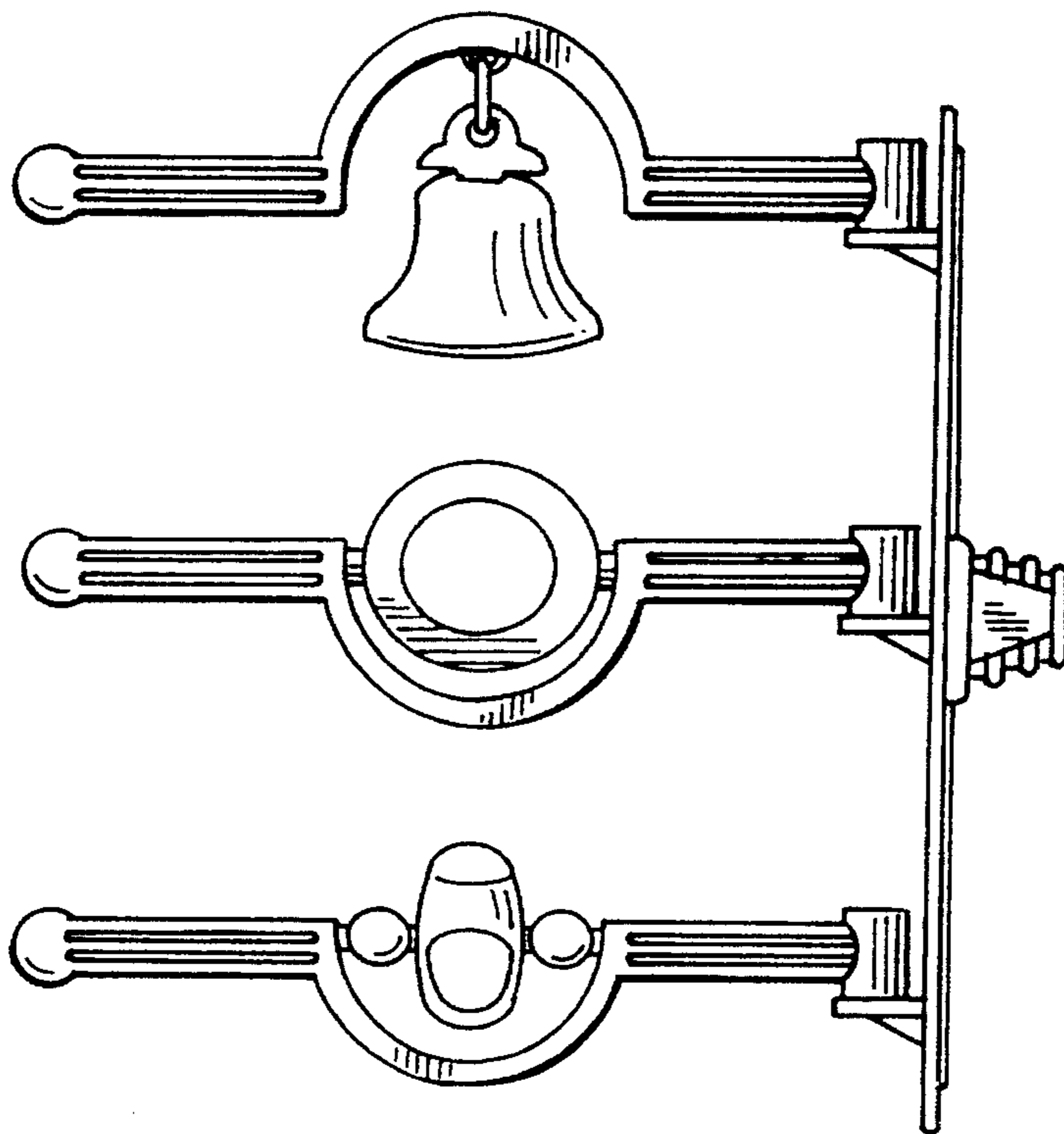


FIG. 6

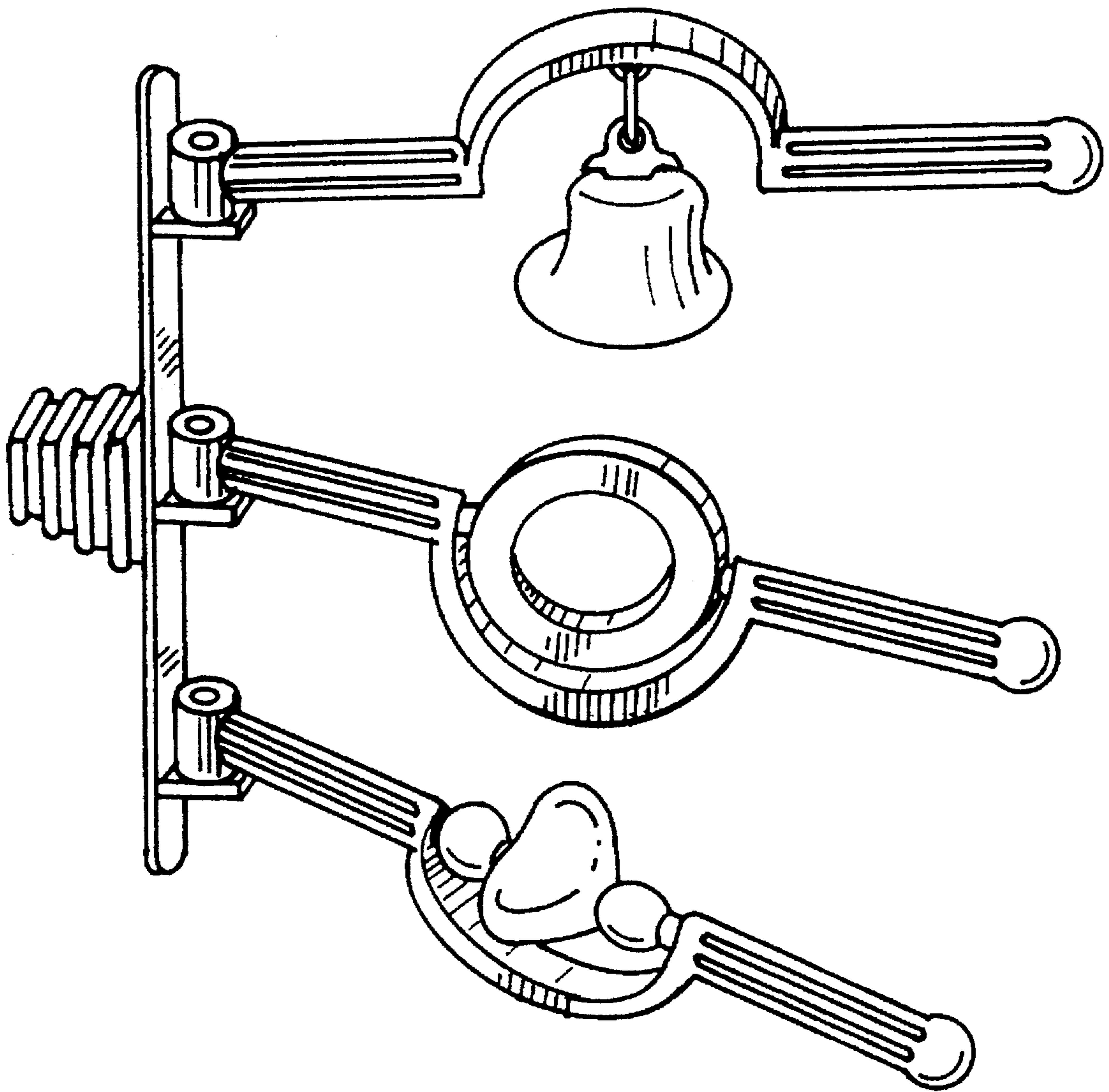


FIG. 7

UNITED STATES PATENT AND TRADEMARK OFFICE
CERTIFICATE OF CORRECTION

PATENT NO. : D 371,226

DATED : June 25, 1996

INVENTOR(S) : Yuk-Ching Lee

It is certified that error appears in the above-identified patent and that said Letters Patent is hereby corrected as shown below:

On the title page, item [73],

Assignee: Alliance Pet Supply Co., Ltd.
Kowloon, Hong Kong

Signed and Sealed this
Sixteenth Day of September, 1997

Attest:



BRUCE LEHMAN

Attesting Officer

Commissioner of Patents and Trademarks