



US00D371222S

United States Patent [19]

[11] Patent Number: **Des. 371,222**

Spencer, Jr. et al.

[45] Date of Patent: ****Jun. 25, 1996**

[54] **FLOSS CONTAINER**

5,156,311 10/1992 Spencer, Jr. et al. .

5,159,943 11/1992 Richards et al. 132/321

[75] Inventors: **John W. Spencer, Jr.**, Rising Sun, Md.;
John W. Dolan, Boothwyn, Pa.

Primary Examiner—M. H. Tung
Attorney, Agent, or Firm—David J. Johns

[73] Assignee: **W. L. Gore & Associates, Inc.**,
Newark, Del.

[57] **CLAIM**

[**] Term: **14 Years**

The ornamental design for a floss container, as shown and described.

[21] Appl. No.: **23,093**

DESCRIPTION

[22] Filed: **May 18, 1994**

[52] U.S. Cl. **D28/64**

[58] Field of Search D28/64; 132/321-9;
206/63.5

FIG. 1 is a three-quarter isometric view of a floss container of the present invention;

FIG. 2 is a left side elevation view of the floss container of the present invention, the right side being a mirror image thereof;

FIG. 3 is a top view of the floss container of the present invention;

FIG. 4 is a bottom view of the floss container of the present invention;

FIG. 5 is a three-quarter isometric view of the floss container of the present invention with its lid shown in an open position;

FIG. 6 is a top plan view of the present invention with the lid shown in an open position; and,

FIG. 7 is a rear elevational view of the present invention with the lid shown in the closed position.

[56] References Cited

U.S. PATENT DOCUMENTS

D. 271,431	11/1983	Seelig .	
D. 326,339	5/1992	Sherman et al.	D28/64
D. 339,215	9/1993	Spencer, Jr. .	
D. 339,426	9/1993	Spencer .	
D. 345,032	3/1994	Curtis et al.	D28/64
2,929,541	3/1960	Castelli et al. .	
3,246,815	4/1966	Aronson .	
3,480,190	11/1969	Freedman .	
4,162,688	7/1979	Tarrson et al. .	
4,925,033	5/1990	Stoner	206/581

1 Claim, 3 Drawing Sheets

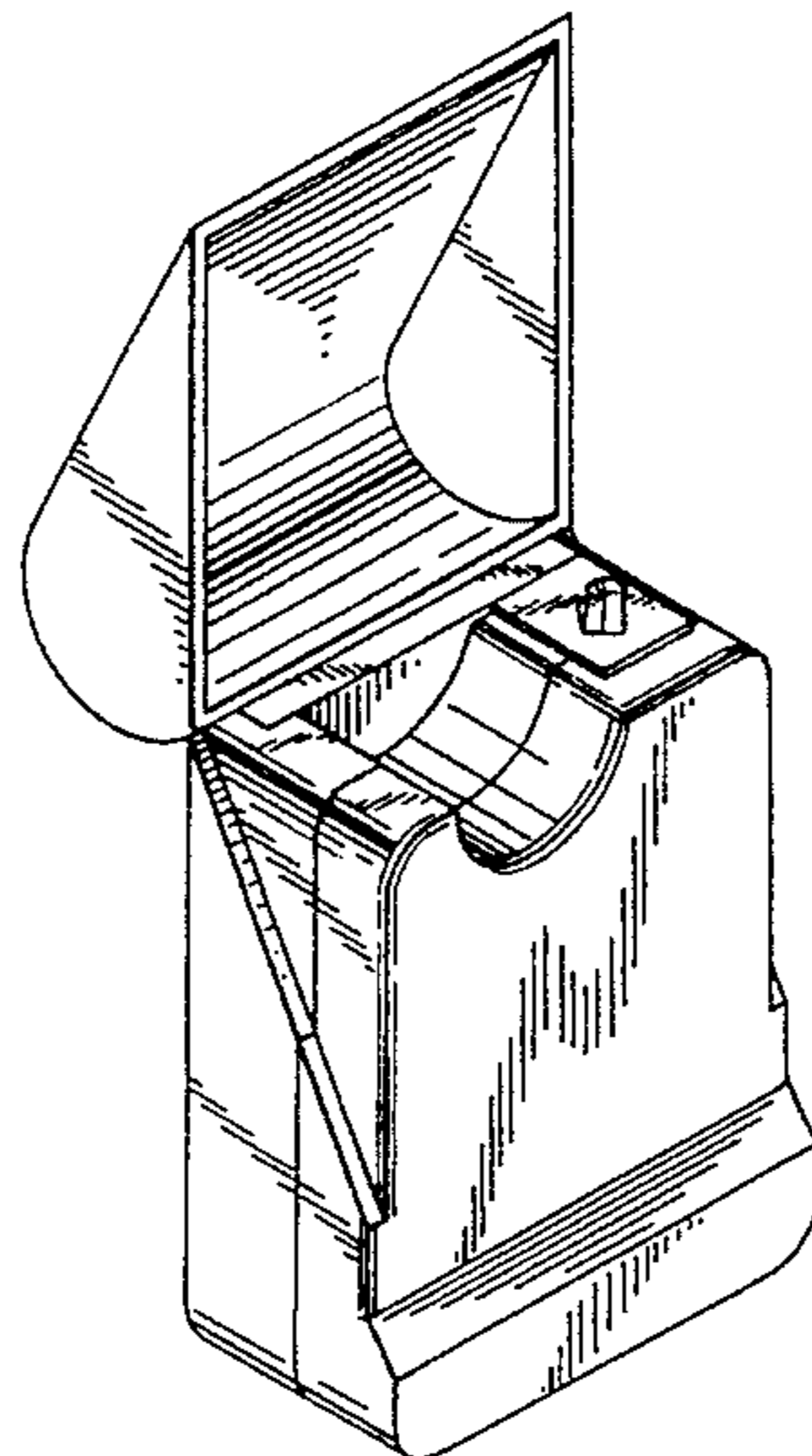
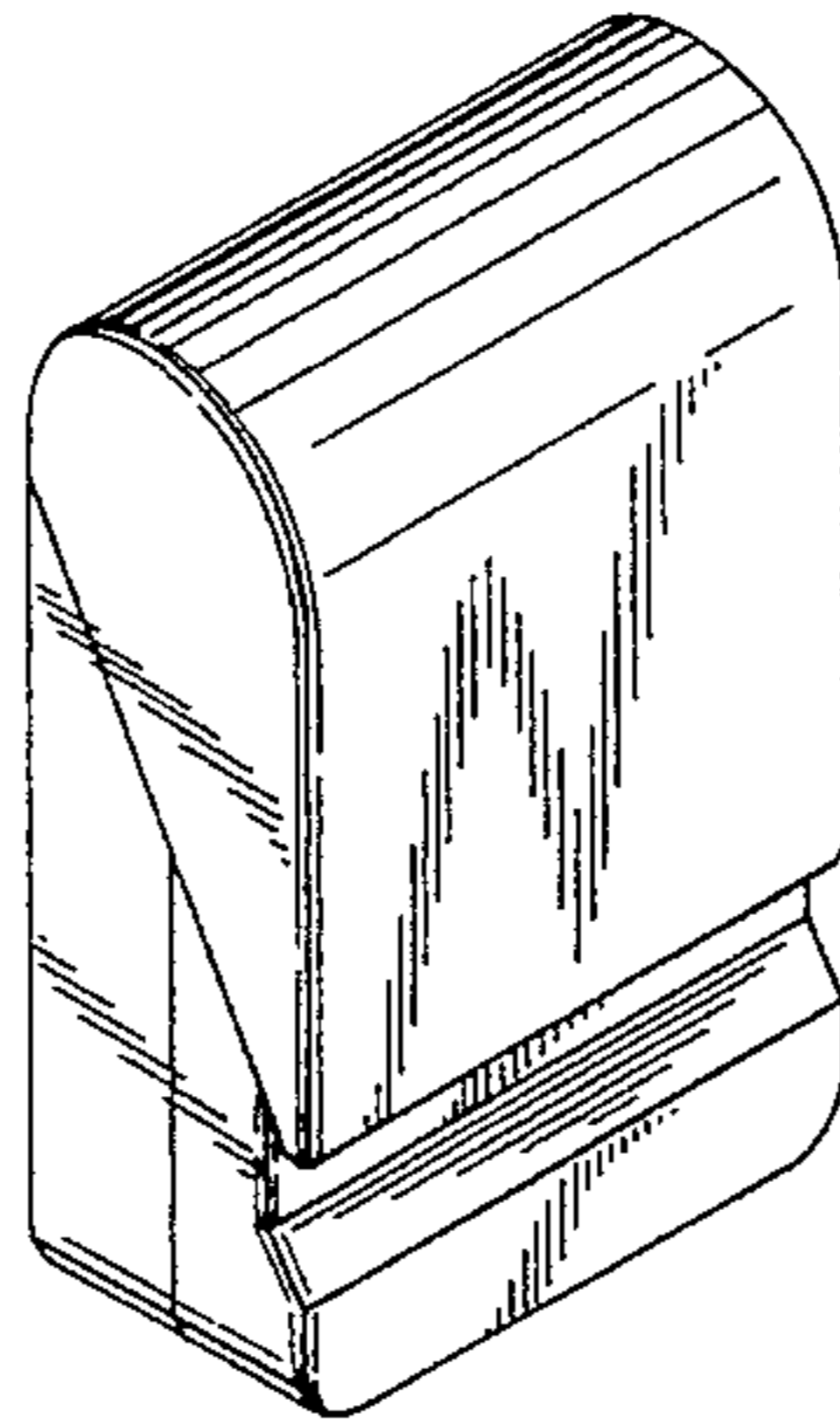


FIG. 1

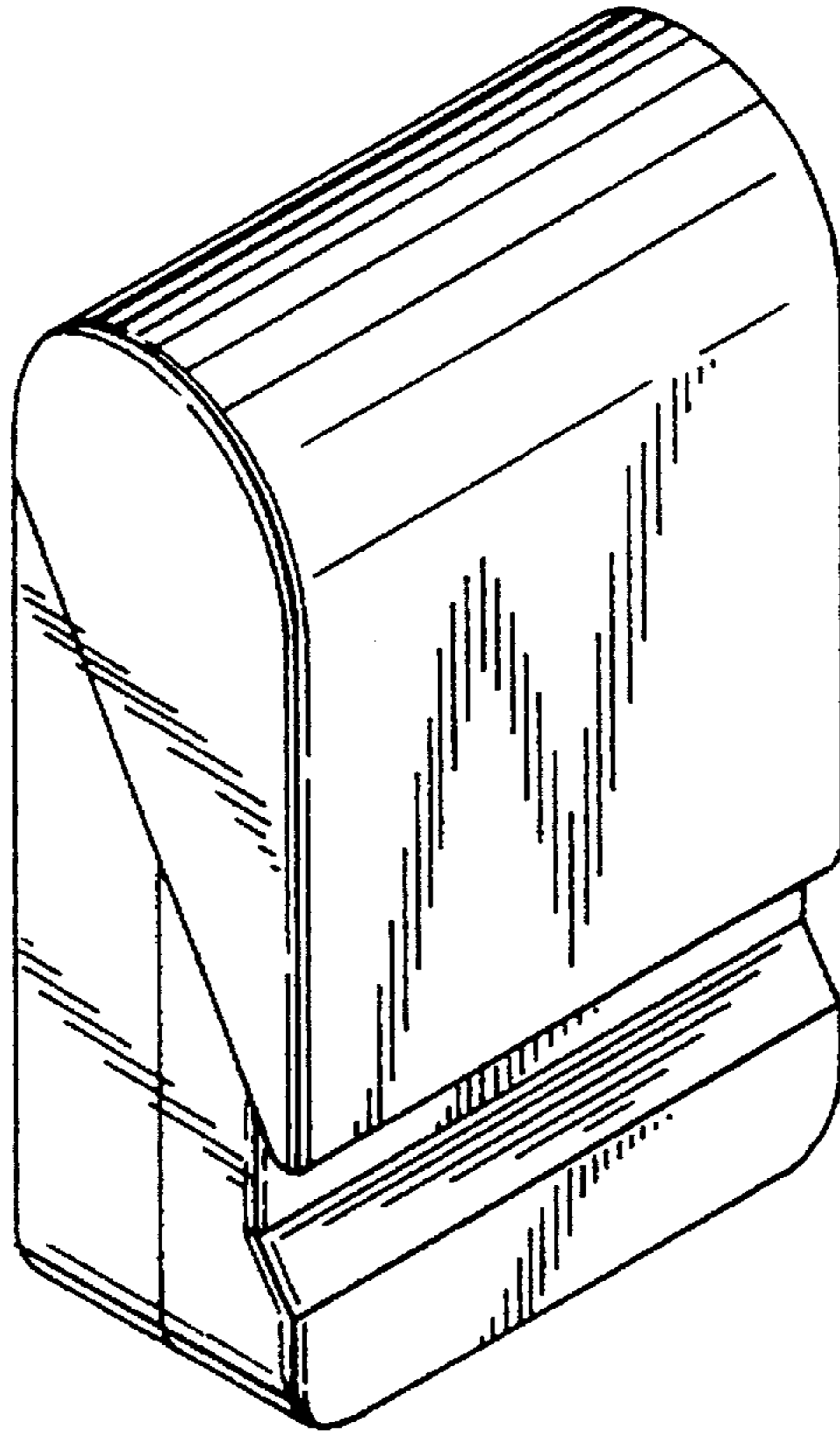


FIG. 2

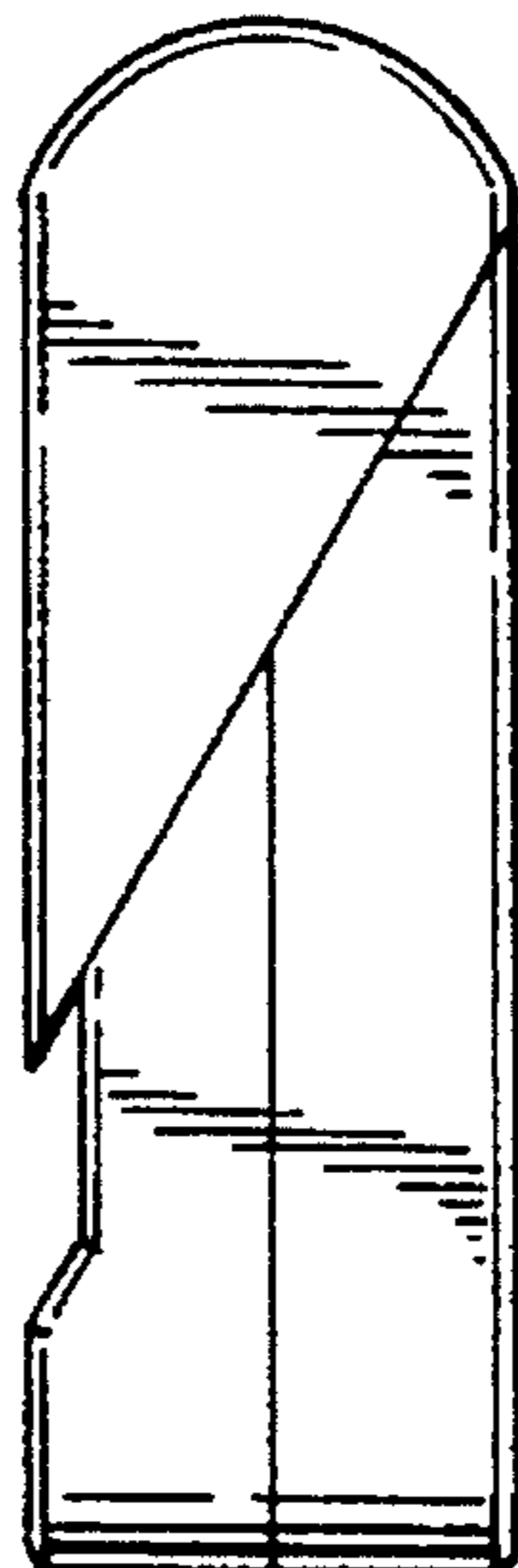


FIG. 3

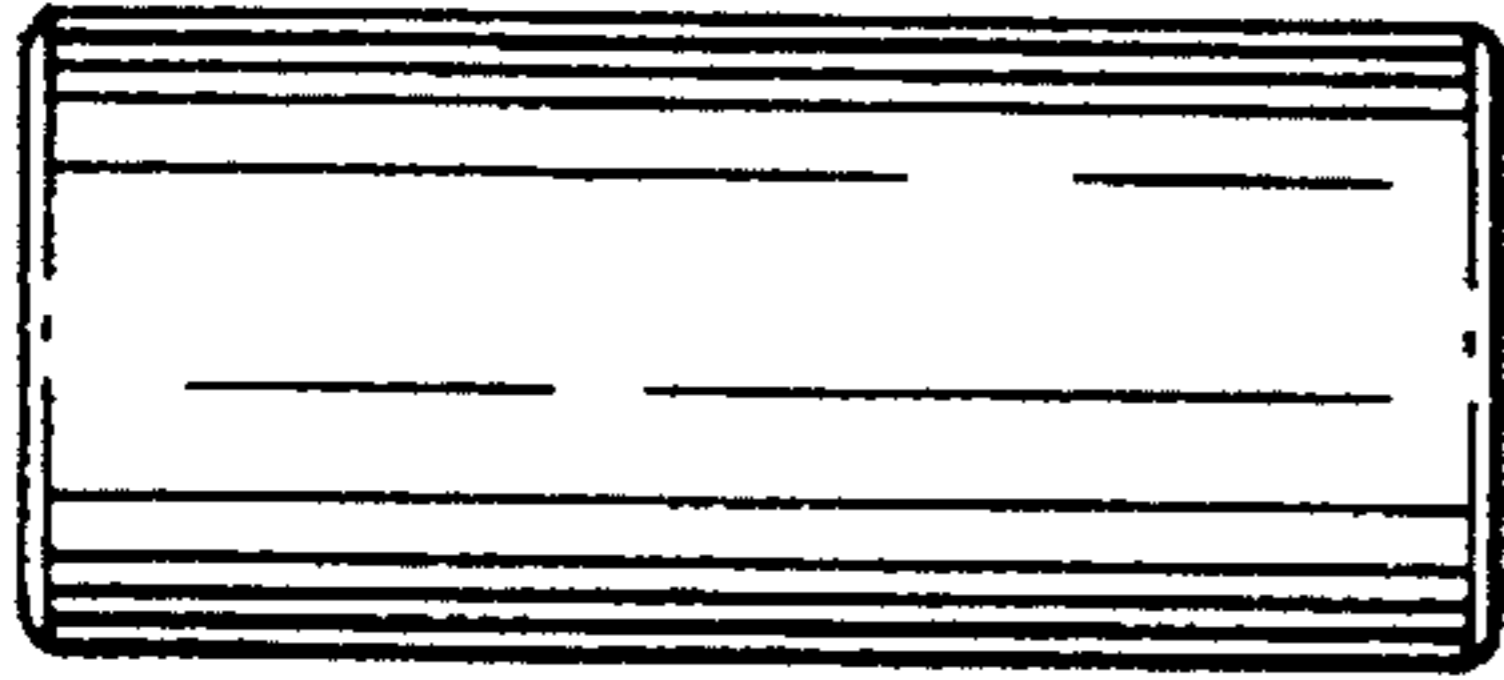


FIG. 4

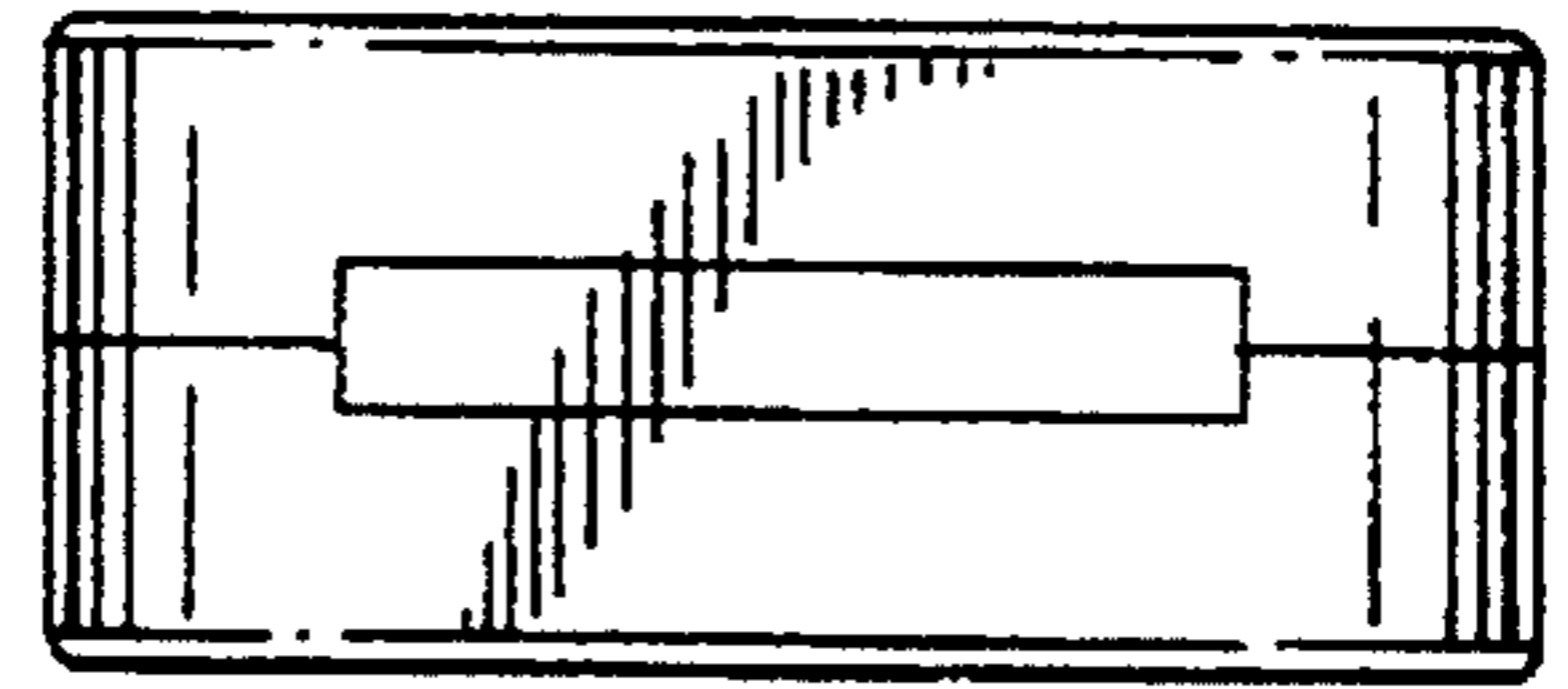
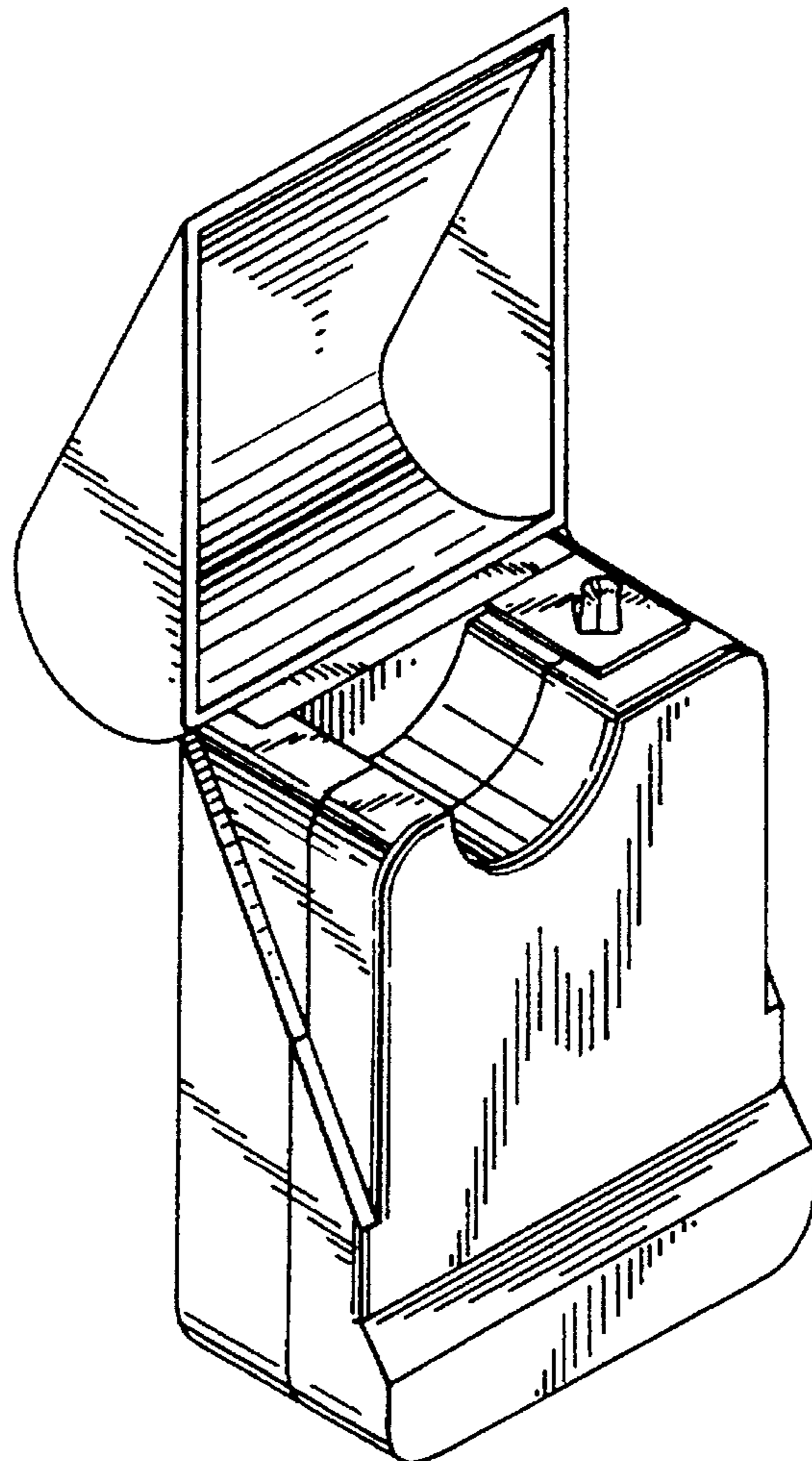


FIG. 5



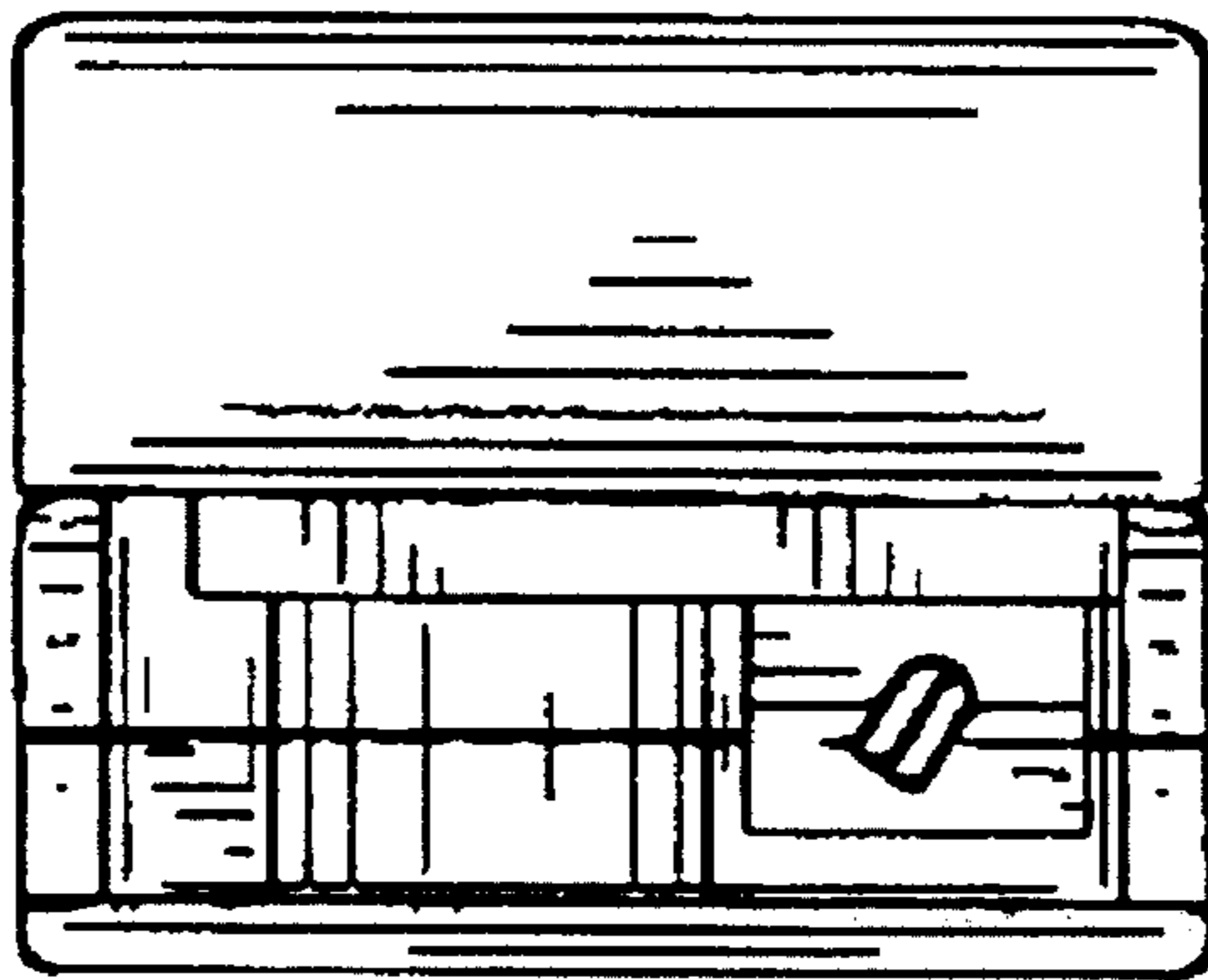


FIG. 6

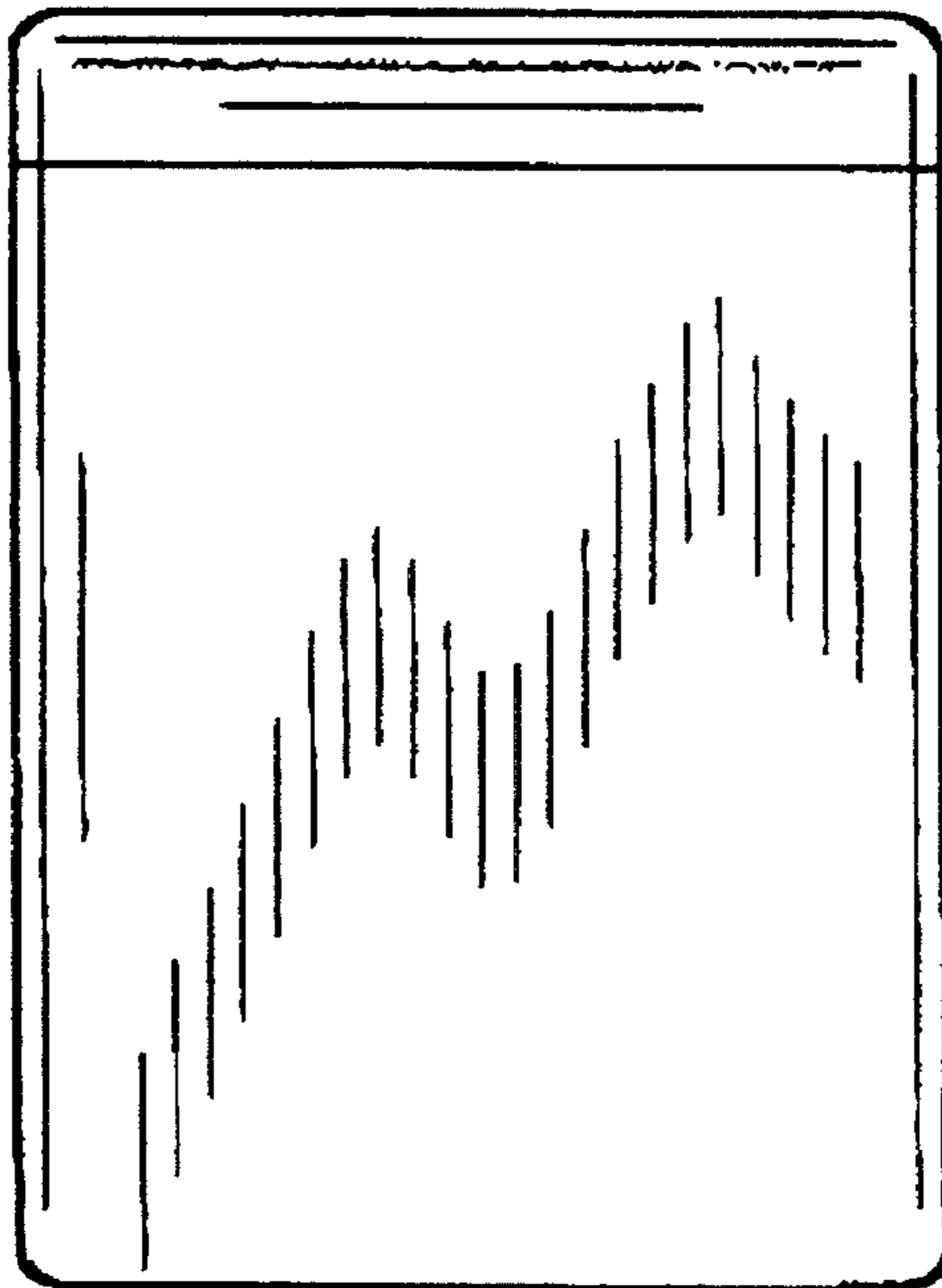


FIG. 7