



US00D371220S

United States Patent [19]

Behrens

[11] Patent Number: Des. 371,220

[45] Date of Patent: **Jun. 25, 1996

[54] CURLING IRON HOLDER

[76] Inventor: Kathie J. Behrens, 4830 Orange Blvd., Sanford, Fla. 32771

[**] Term: 14 Years

[21] Appl. No.: 30,457

[22] Filed: Oct. 31, 1994

[52] U.S. Cl. D28/38; D3/314; D6/536; D6/466; D7/504; D7/550; D19/77; D19/83; D27/102

[58] Field of Search D28/38, 73; D19/75, D19/77, 83, 92, 95; D3/304, 314; D27/102, 133, 134, 135; 248/346, 117.1, 117.2, 117.3, 117.4, 176; 219/242, 521; D6/512, 536, 466, 475, 524, 532; D7/504, 590, 707, 708, 550, 552, 554, 619; D9/424, 455, 456, 499; 211/13, 60.1, 70.6

[56] References Cited

U.S. PATENT DOCUMENTS

D. 127,306	5/1941	Pearce	D27/134
D. 170,659	10/1953	Powers	D6/466
D. 242,953	1/1977	Bluestein	D28/38
D. 263,191	3/1982	Moore	d7/504
D. 331,538	12/1992	Fabre	D9/455

D. 353,770	12/1994	Prince	D9/455
644,513	2/1900	Hall	312/351
2,213,439	9/1940	Young	219/242 X
2,617,006	11/1952	Syrstad	219/521
4,803,341	2/1989	Barowski et al.	219/242 X
5,169,102	12/1992	Bracken	219/242 X

FOREIGN PATENT DOCUMENTS

153903	2/1922	United Kingdom	219/242
--------	--------	----------------	-------	---------

Primary Examiner—Ted Shooman
Assistant Examiner—C. Tuttle
Attorney, Agent, or Firm—William M. Hobby, III

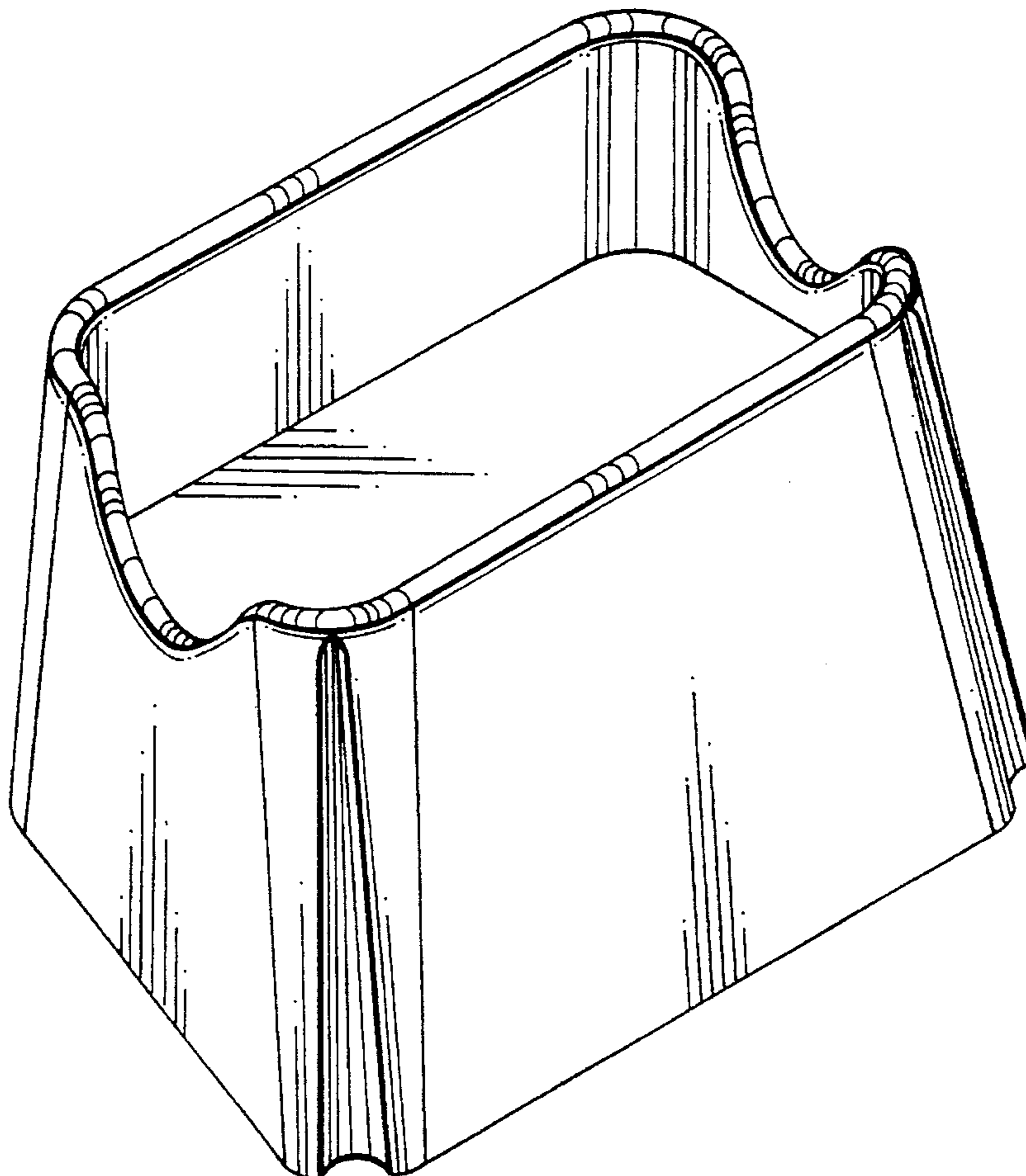
[57] CLAIM

The ornamental design for a curling iron holder, design as shown.

DESCRIPTION

FIG. 1 is a top front side perspective view of my new curling iron holder;
FIG. 2 is a sectional view taken on the line 2—2 of FIG. 4;
FIG. 3 is a right side elevation;
FIG. 4 is a top plan view;
FIG. 5 is rear side elevation; and,
FIG. 6 is a bottom plan view.

1 Claim, 1 Drawing Sheet



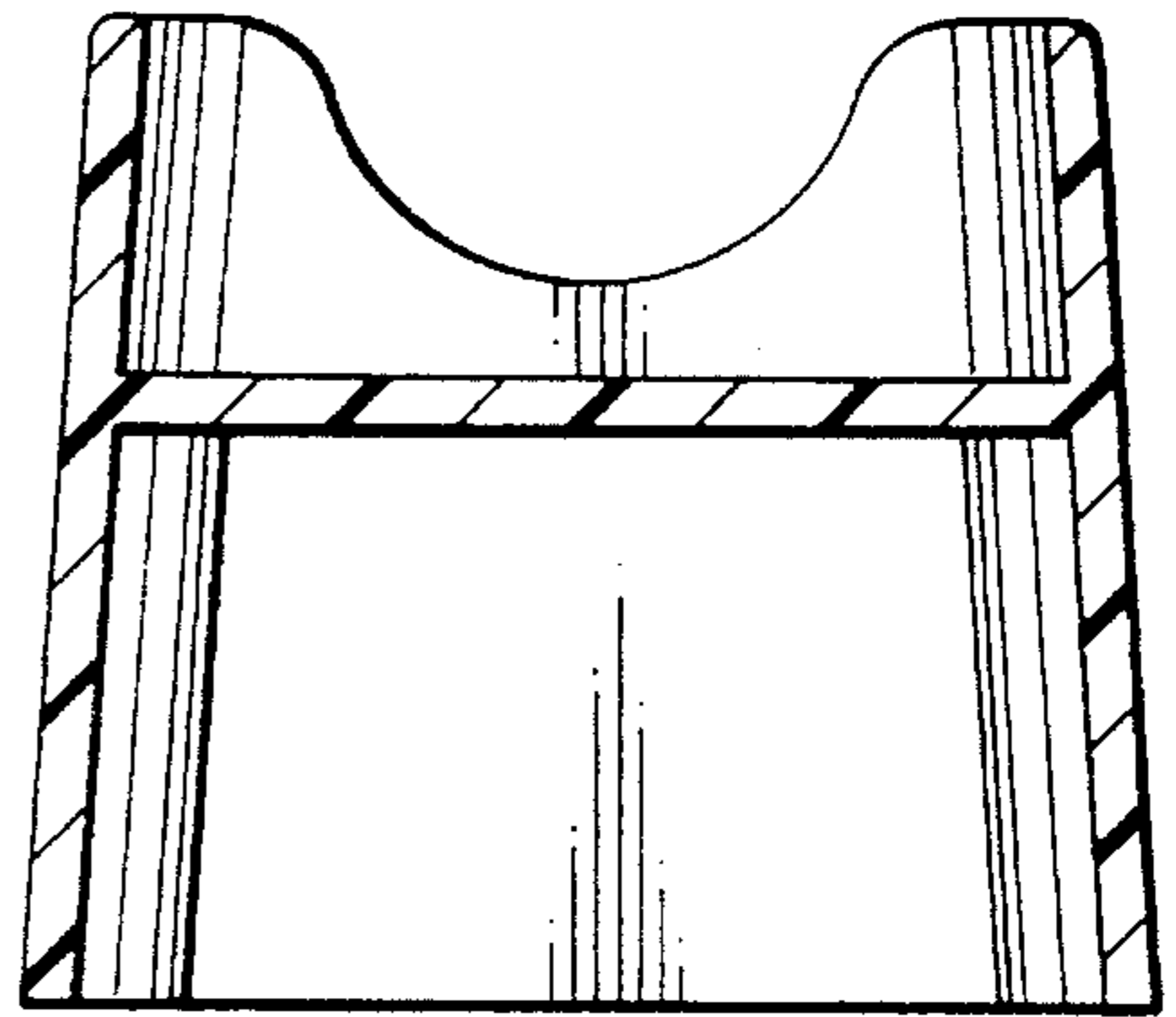
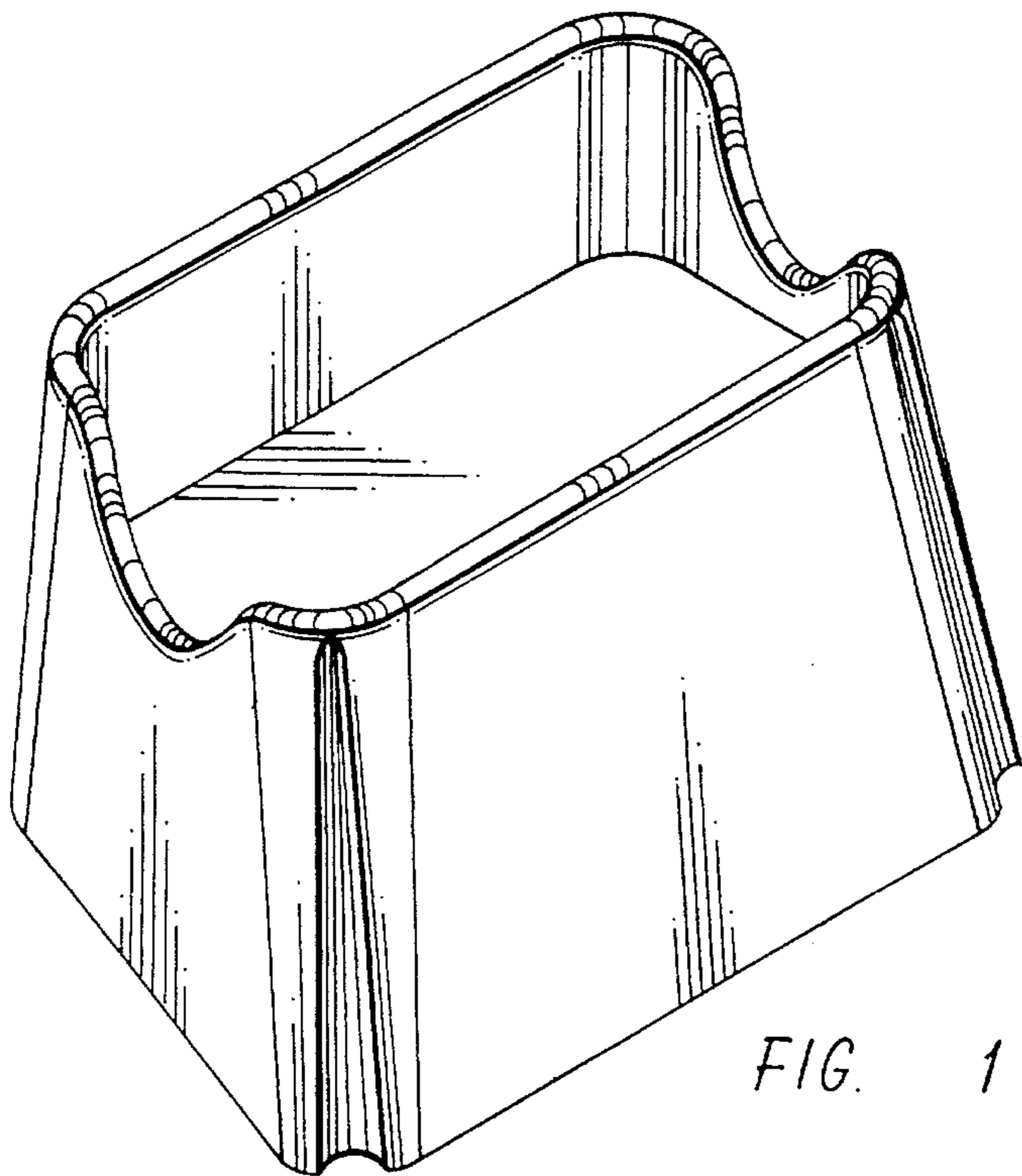


FIG. 2

FIG. 1

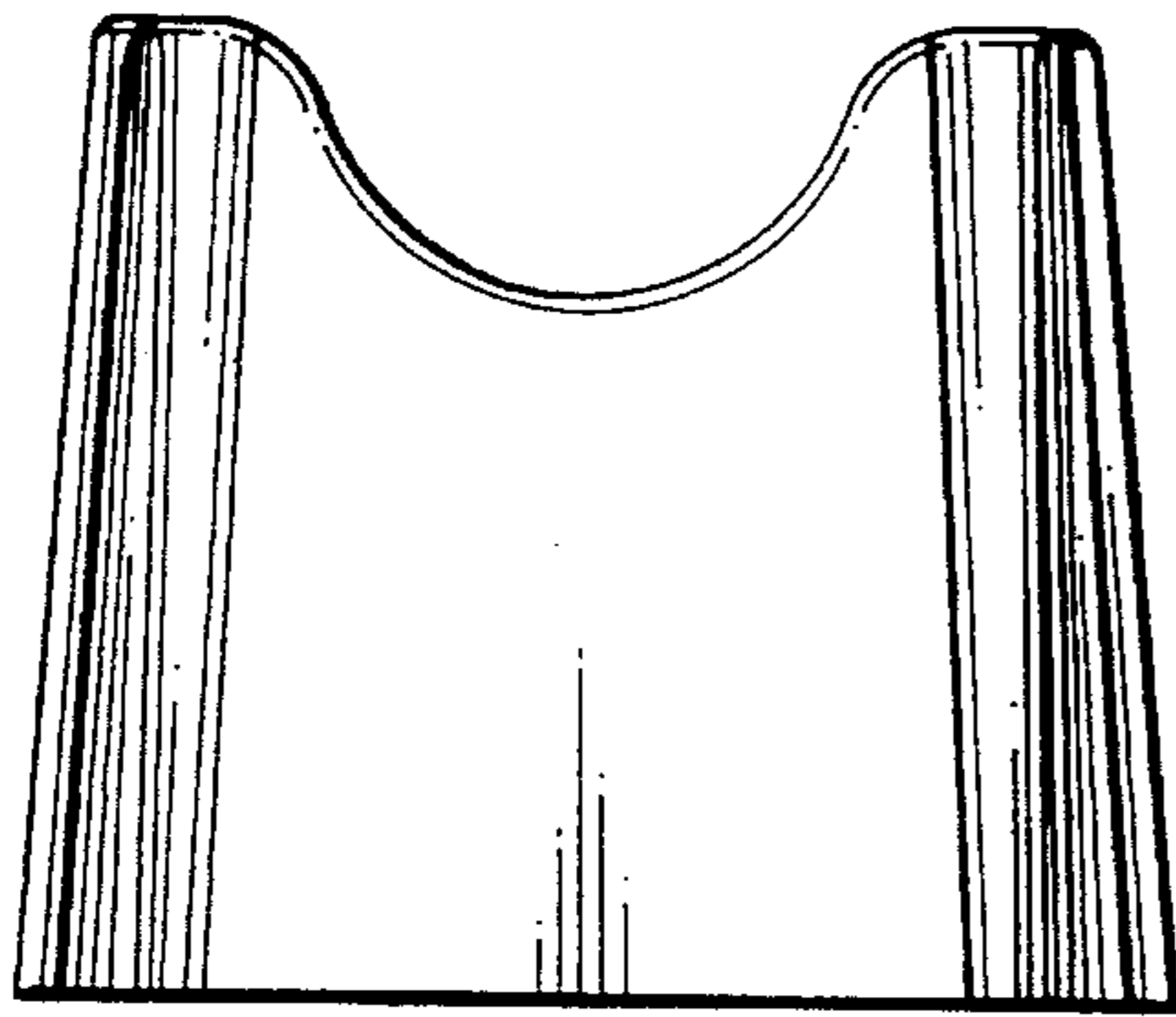
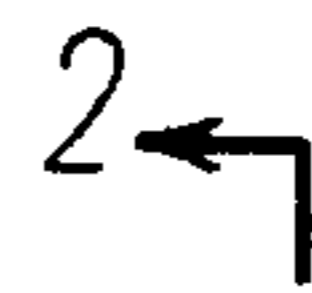


FIG. 3

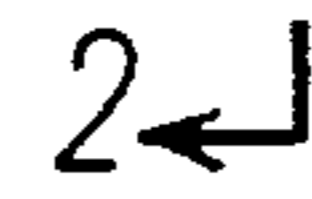
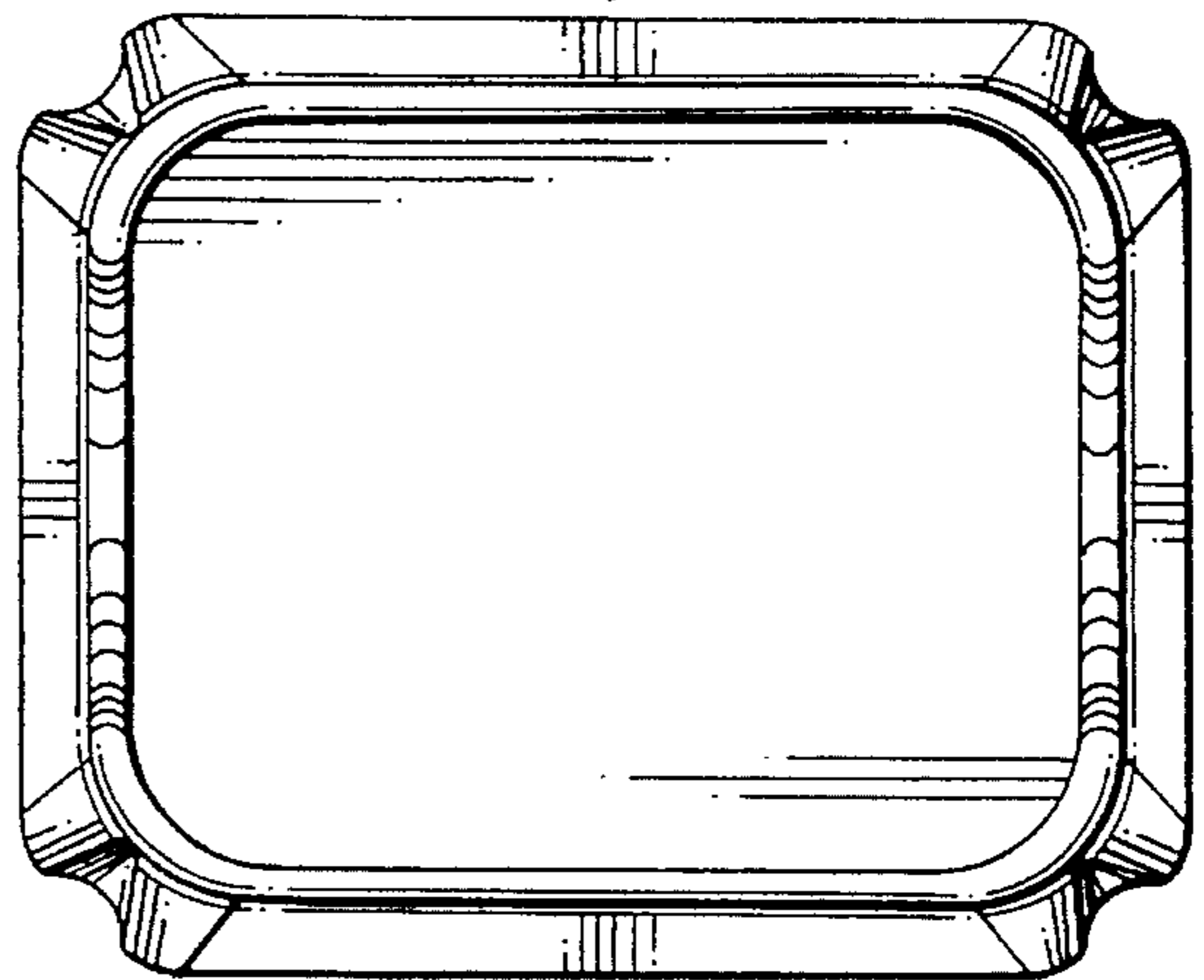


FIG. 4

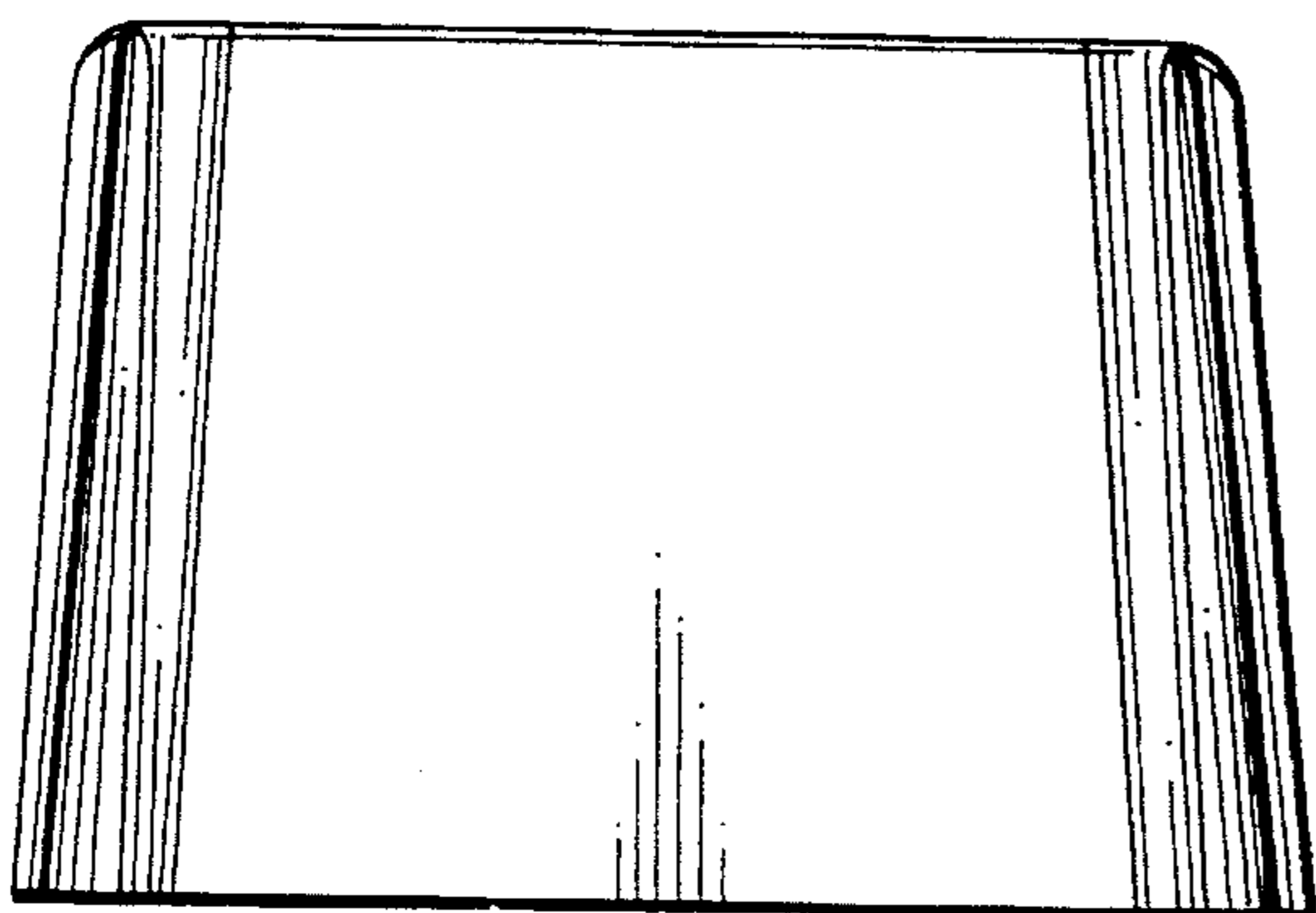


FIG. 5

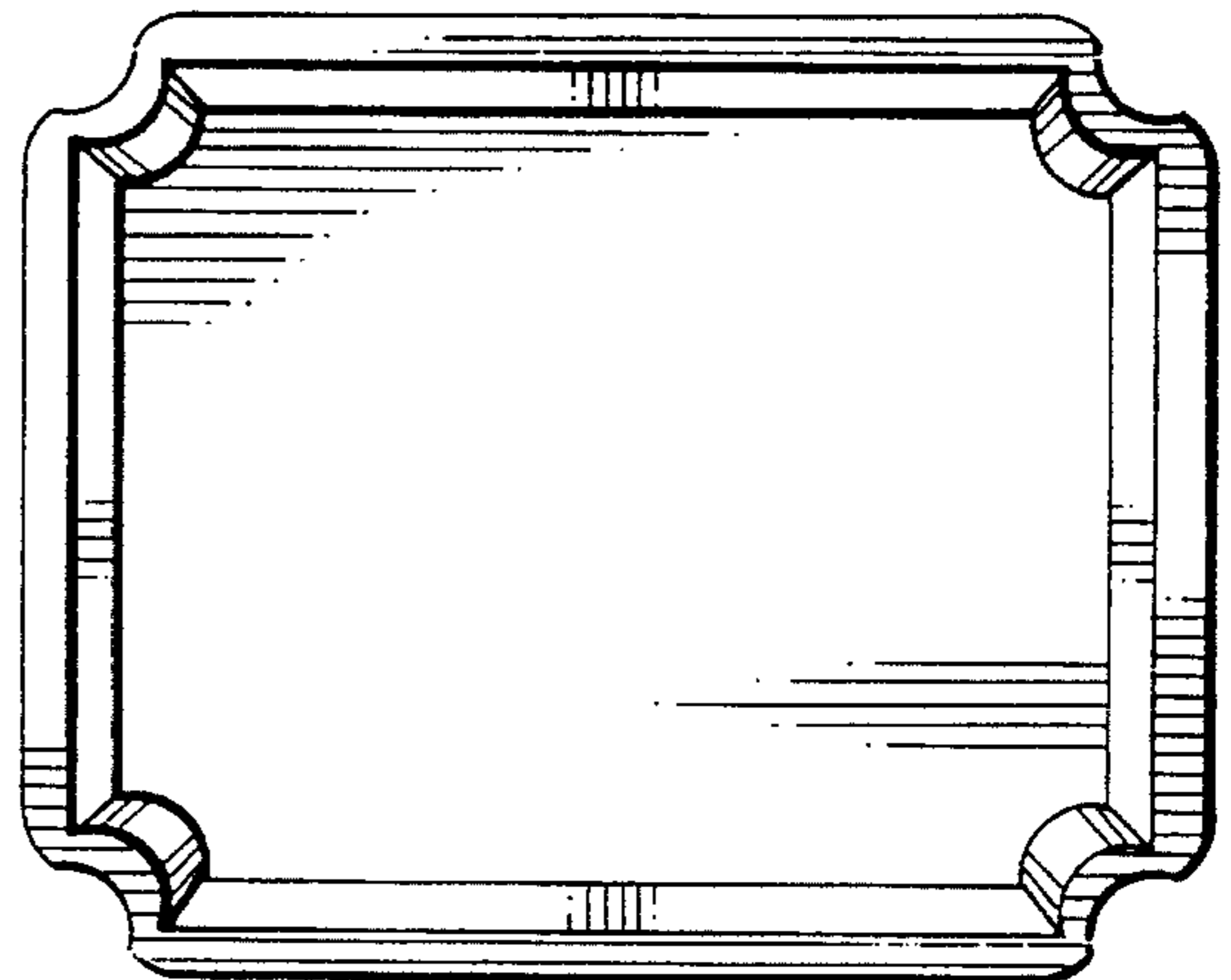


FIG. 6