



US00D371217S

**United States Patent** [19]  
**Kim**

[11] **Patent Number: Des. 371,217**

[45] **Date of Patent: \*\*Jun. 25, 1996**

[54] **PORTABLE ASHTRAY**  
[75] Inventor: **Ki-In Kim**, Seoul, Rep. of Korea  
[73] Assignee: **Korea Tobacco & Ginseng Corporation**, Taejon-shi, Rep. of Korea  
[\*\*] Term: **14 Years**

2,692,698 10/1954 Waterman ..... 220/350  
2,739,730 3/1956 Jonas ..... 220/350  
3,351,069 11/1967 Carper ..... 131/242 X

*Primary Examiner*—Louis S. Zarfaz  
*Assistant Examiner*—Monica A. Hannon  
*Attorney, Agent, or Firm*—Birch, Stewart, Kolasch & Birch

[21] Appl. No.: **22,606**  
[22] Filed: **May 9, 1994**

[57] **CLAIM**  
The ornamental design for a portable ashtray, as shown and described.

[30] **Foreign Application Priority Data**  
Nov. 24, 1993 [KR] Rep. of Korea ..... 93-24098  
Apr. 12, 1994 [KR] Rep. of Korea ..... 94-7474  
[52] **U.S. Cl.** ..... **D27/127; D27/102**  
[58] **Field of Search** ..... D27/102-112,  
D27/117, 118, 125, 126, 127, 131-135,  
137; 131/231, 238, 240.1, 241, 242; 220/350

**DESCRIPTION**

FIG. 1 is a perspective view from the left right top side of a portable ashtray showing our new design; FIG. 2 is a front elevational view thereof; FIG. 3 is a rear elevational view thereof; FIG. 4 is a top plan view thereof; FIG. 5 is a bottom plan view thereof; FIG. 6 is a left side elevational view thereof; FIG. 7 is a right side elevational view thereof; and, FIG. 8 is a cross-sectional view hereof.

[56] **References Cited**  
**U.S. PATENT DOCUMENTS**  
1,505,400 8/1924 Matthews ..... 131/242 X

**1 Claim, 2 Drawing Sheets**

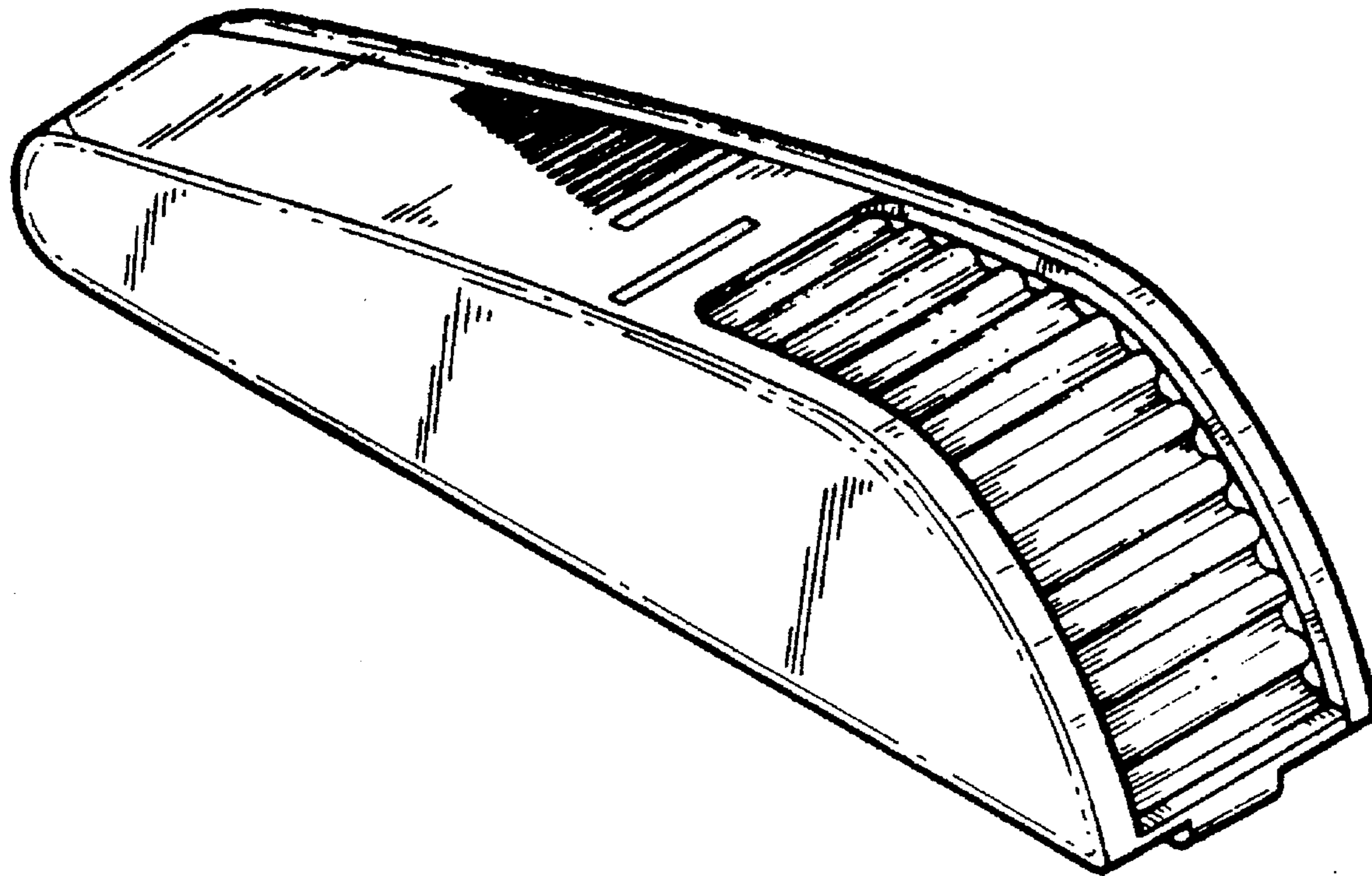


FIG. 1

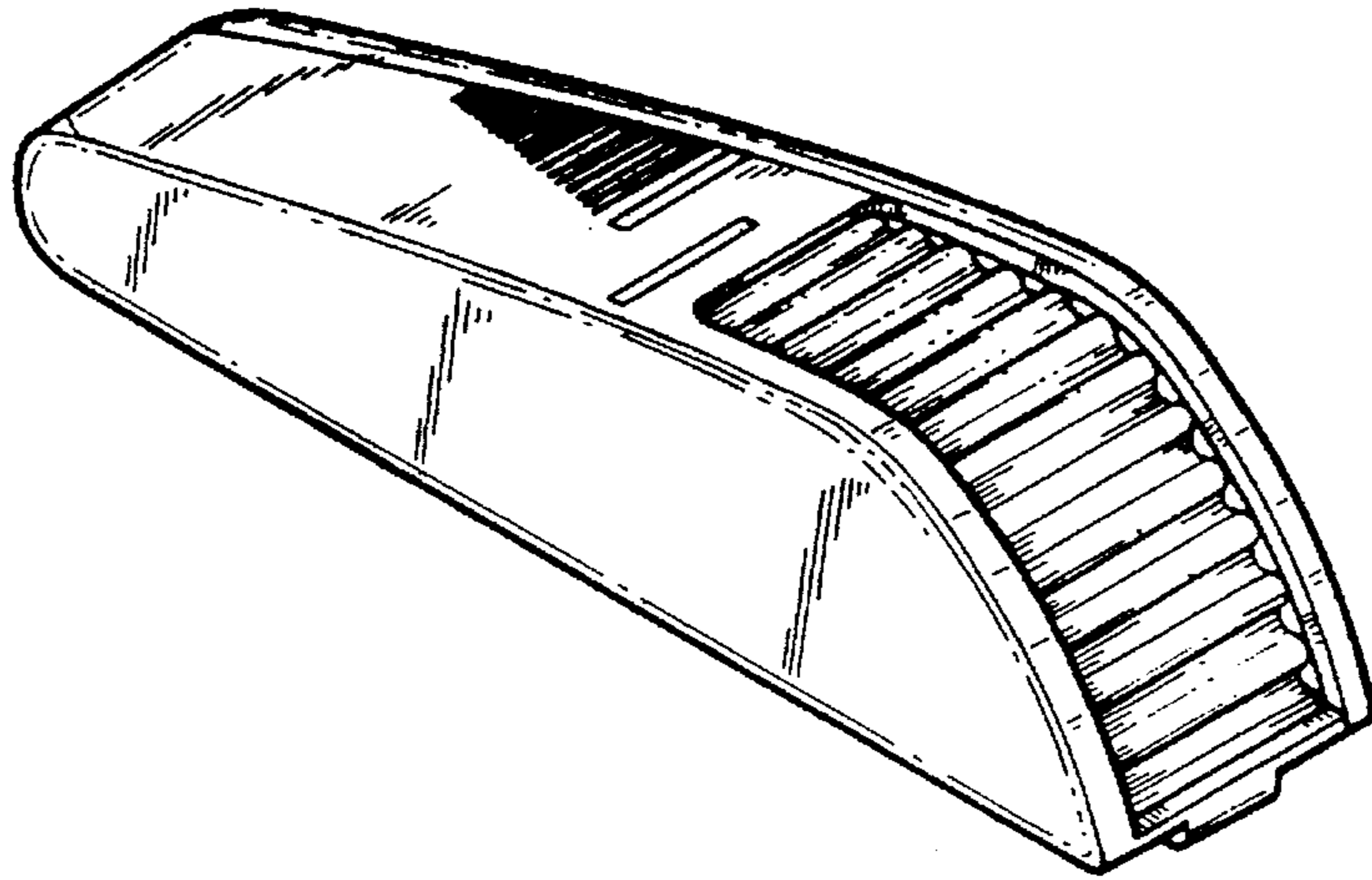


FIG. 2

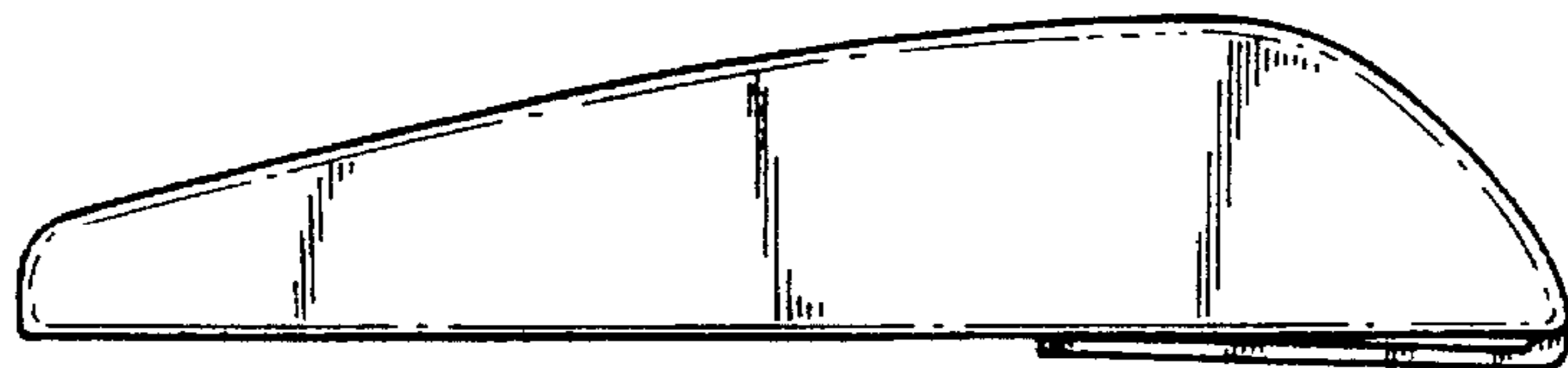


FIG. 3

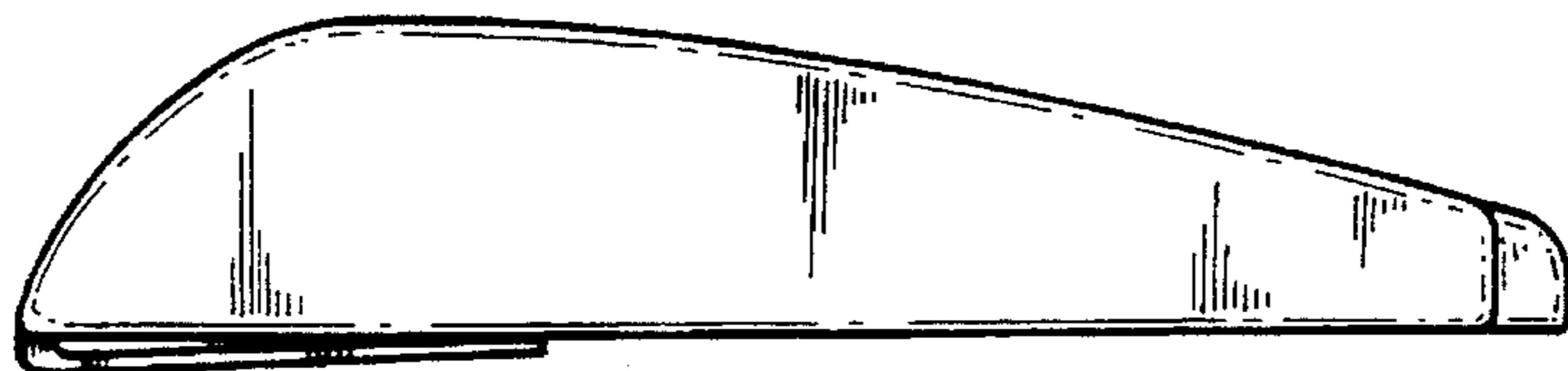


FIG. 4

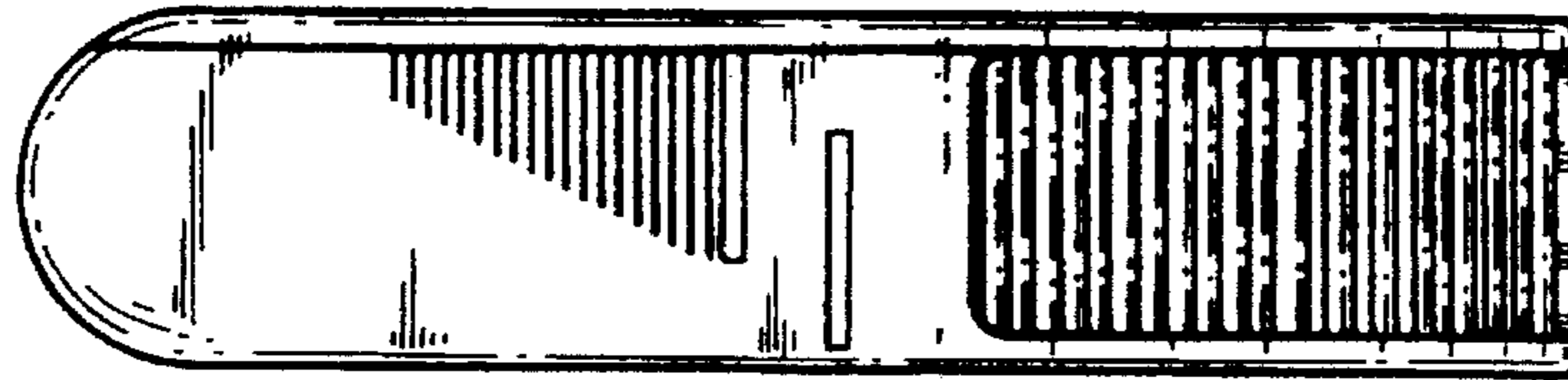


FIG. 5

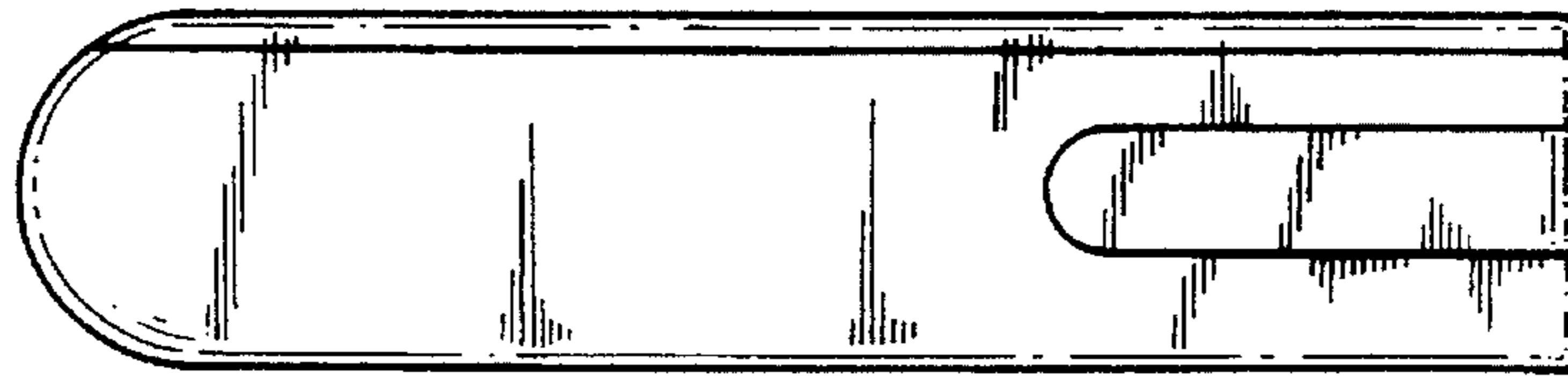


FIG. 6



FIG. 7

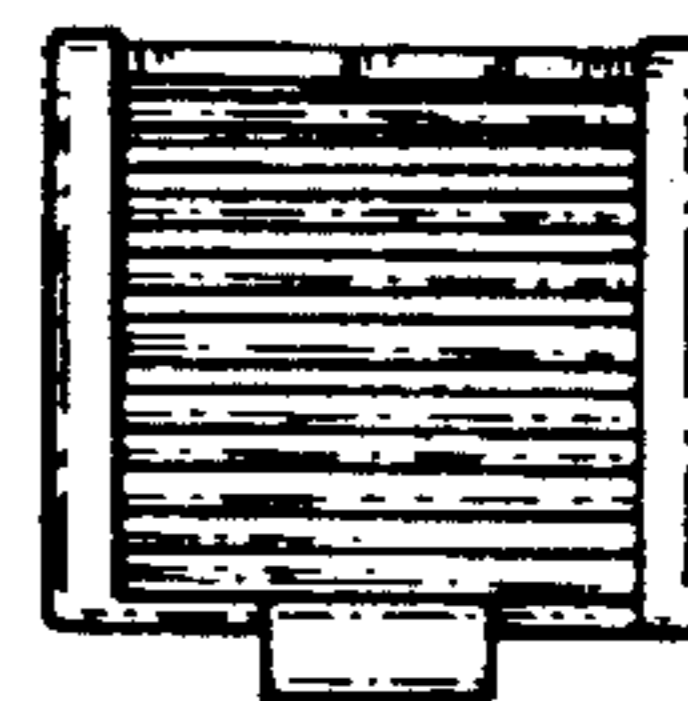


FIG. 8

