



US00D371214S

United States Patent [19]

[11] Patent Number: **Des. 371,214**

Terry, Sr.

[45] Date of Patent: ****Jun. 25, 1996**

[54] **CLIP-ON POCKET BOOK FLASHLIGHT**

5,103,384 4/1992 Drohan .

[76] Inventor: **Earnest J. Terry, Sr.**, 2120 Shamrock Dr., Augusta, Ga. 30904

OTHER PUBLICATIONS

Adva-Zites Lamp Box May 15, 1973 (Disposable Penlights).

[**] Term: **14 Years**

Primary Examiner—Marcus A. Jackson
Attorney, Agent, or Firm—Dennis H. Lambert

[21] Appl. No.: **35,336**

[57] CLAIM

[22] Filed: **Feb. 24, 1995**

[52] U.S. Cl. **D26/49**

The ornamental design for a clip-on pocket book flashlight, as shown and described.

[58] Field of Search D26/37, 38, 39,
D26/46, 49; 362/157, 158, 183, 186, 202,
203

DESCRIPTION

[56] References Cited

FIG. 1 is a front, top and side perspective view of the clip-on pocket book flashlight embodying the design of the present invention;

U.S. PATENT DOCUMENTS

2,538,151	1/1951	Grasak .	
2,599,254	6/1952	Gits et al. .	
4,041,304	8/1977	Spector	362/202
4,376,965	3/1983	Bacevius .	
4,481,561	11/1984	Lanning .	
4,495,551	1/1985	Foltz .	
4,517,627	5/1985	Bradford .	
4,742,438	5/1988	King .	
4,858,083	8/1989	Wakimoto .	
4,912,611	3/1990	Lyle .	
4,954,934	9/1990	Kidder et al. .	

FIG. 2 is a left end elevational view thereof, as seen in FIG. 1.

FIG. 3 is a right end elevational view thereof, as seen in FIG. 1.

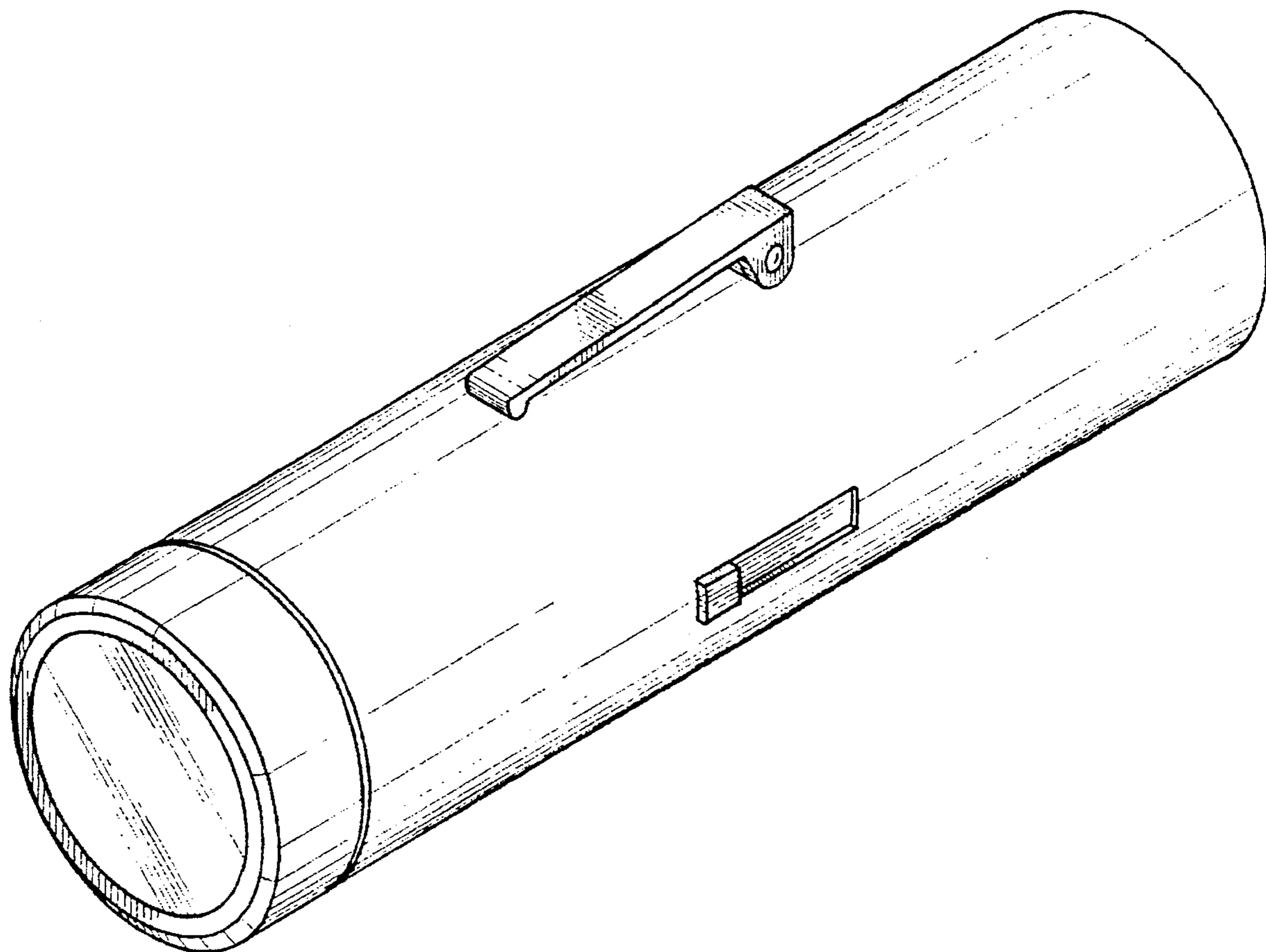
FIG. 4 is a side elevational view thereof;

FIG. 5 is a side elevational view thereof, opposite that shown in FIG. 4;

FIG. 6 is a top plan view thereof; and,

FIG. 7 is a bottom plan view thereof.

1 Claim, 3 Drawing Sheets



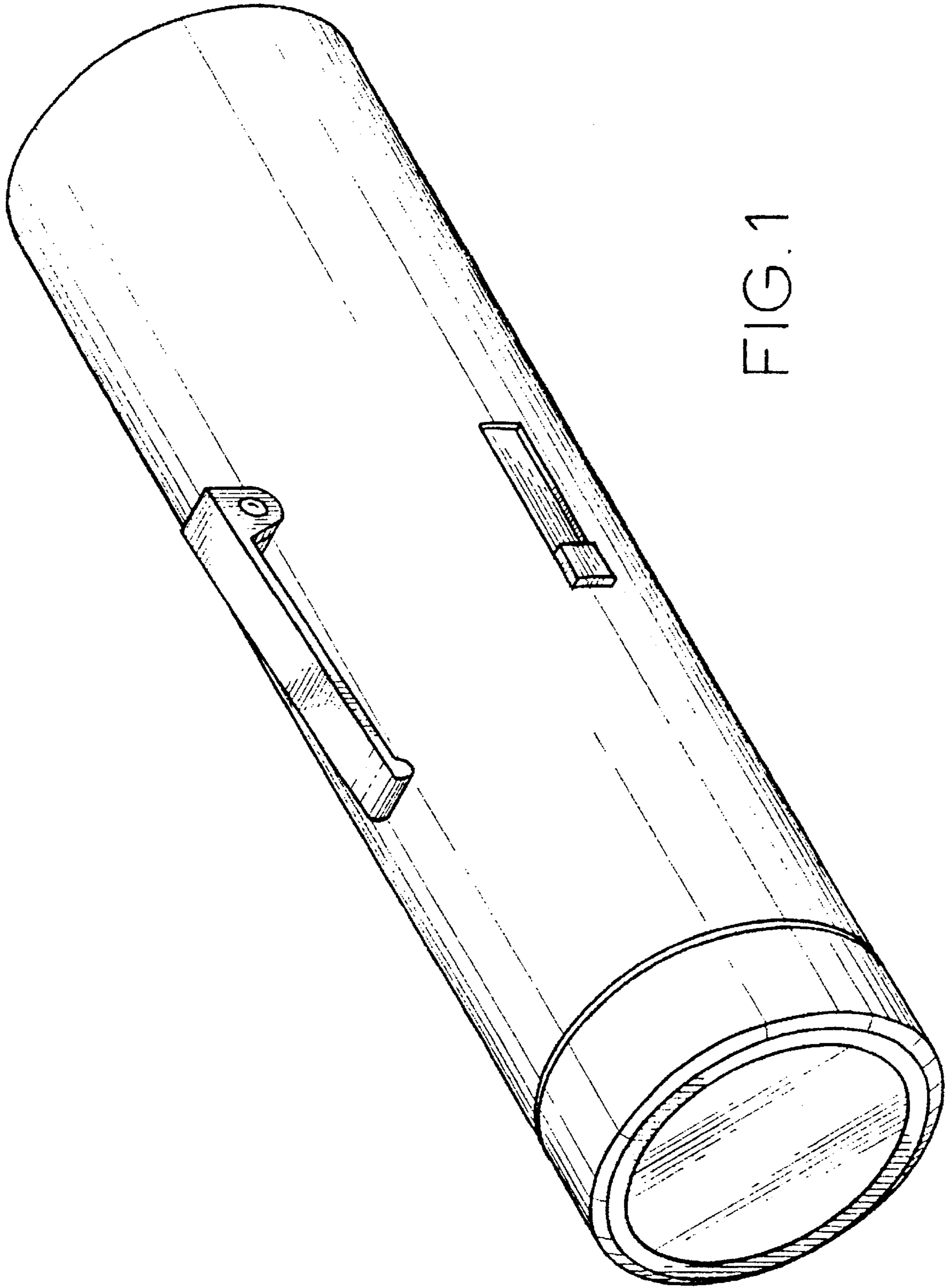


FIG. 1

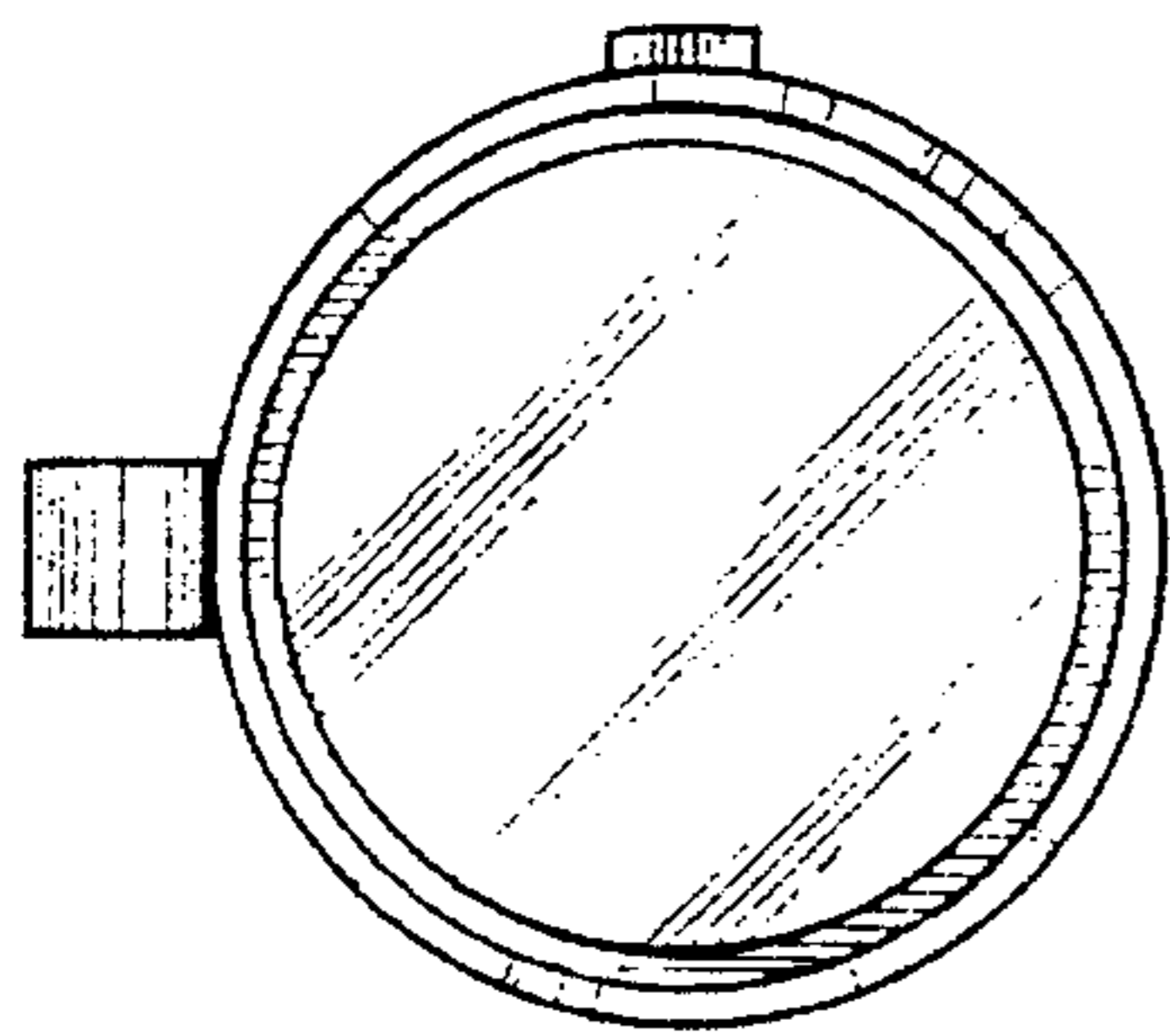


FIG. 2

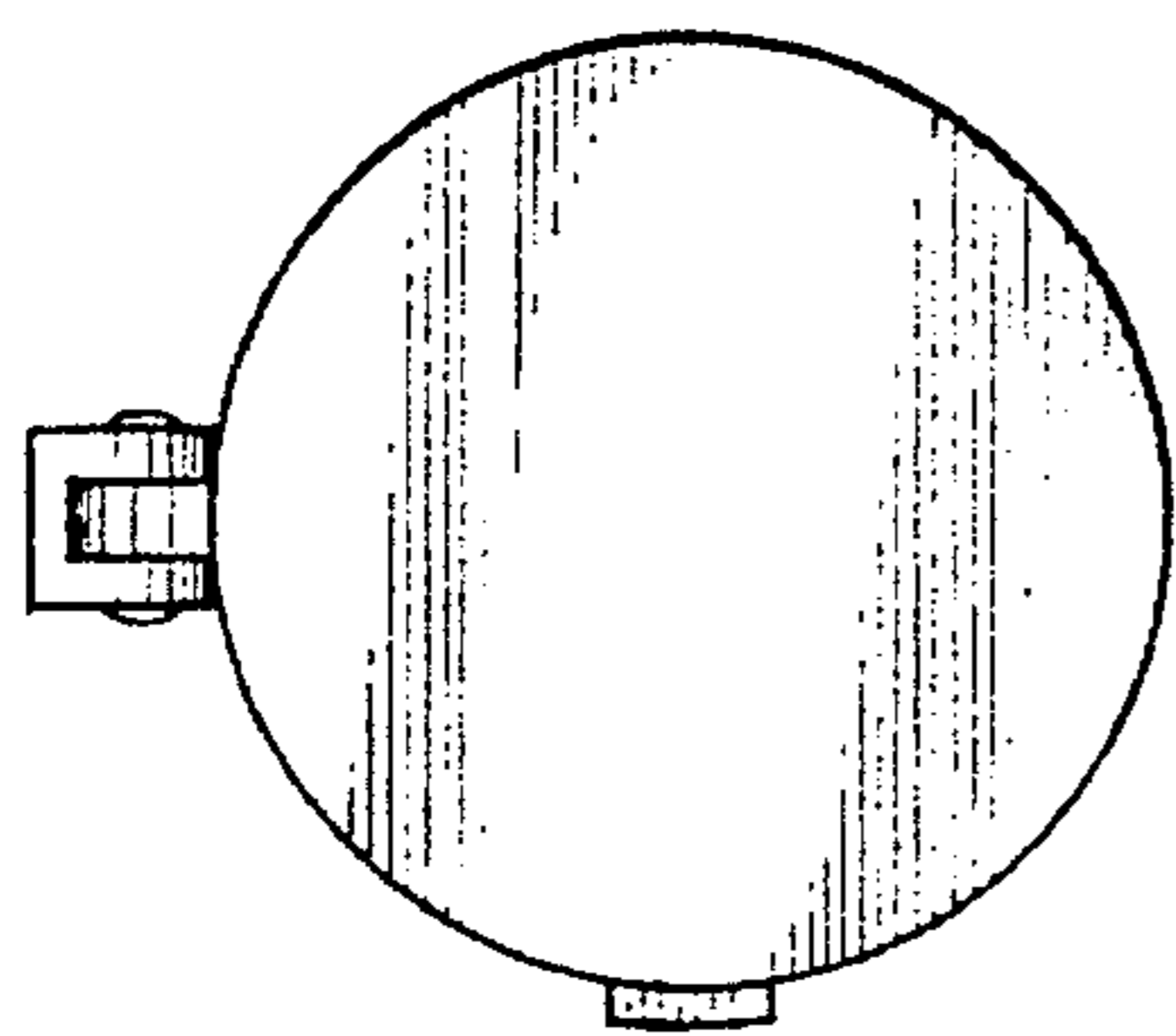


FIG. 3

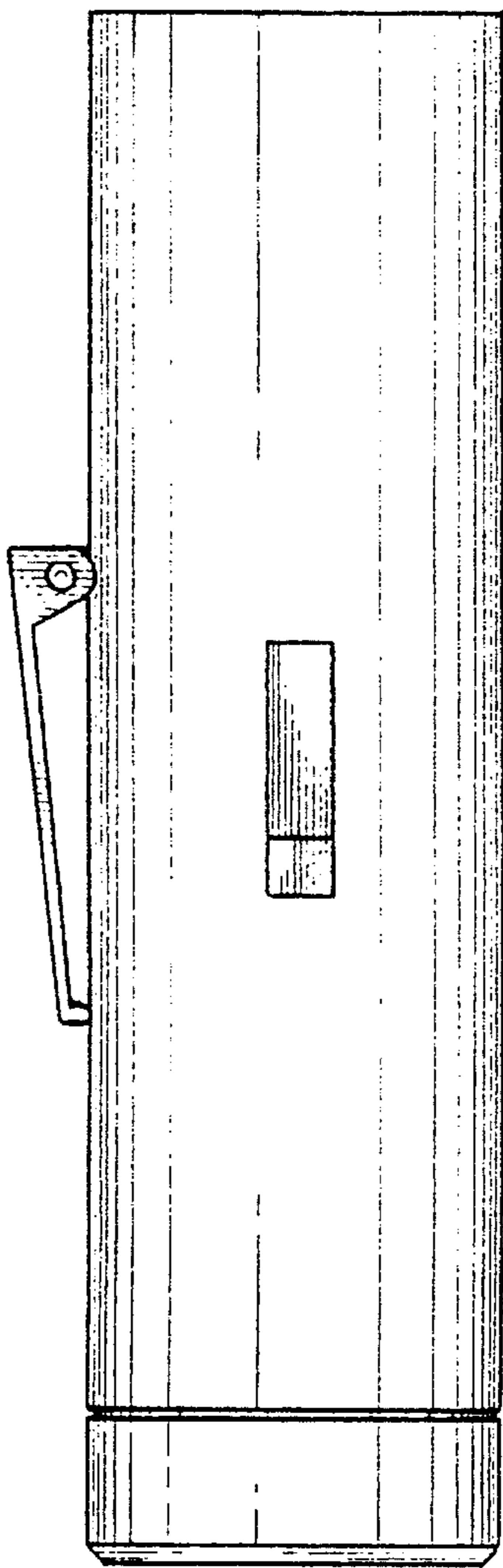


FIG. 4

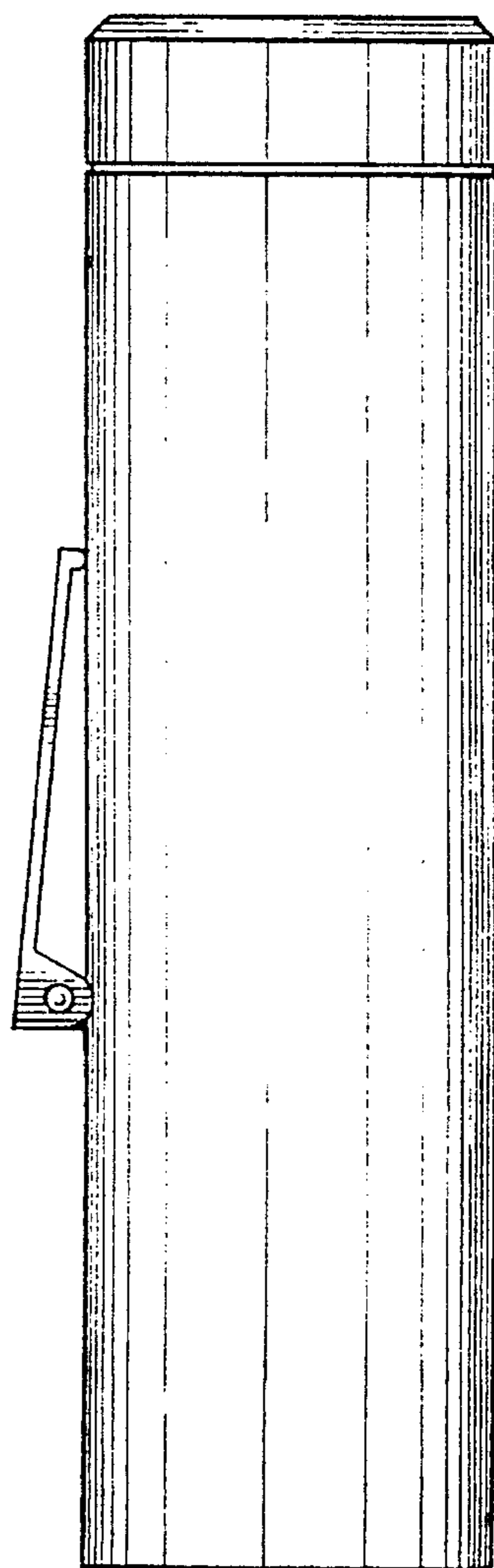


FIG. 5

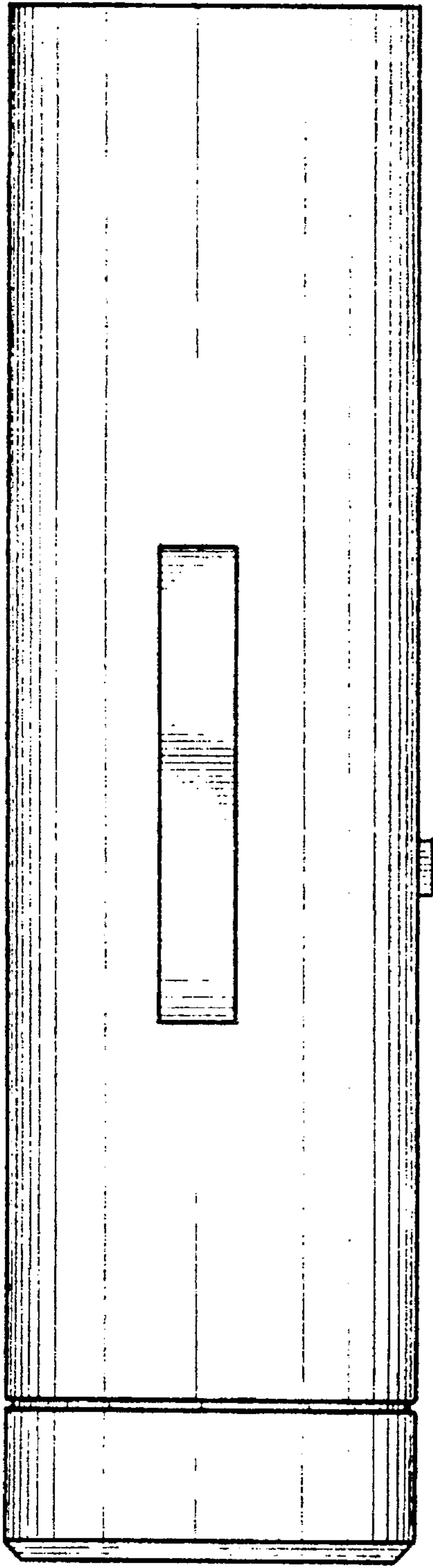


FIG. 6

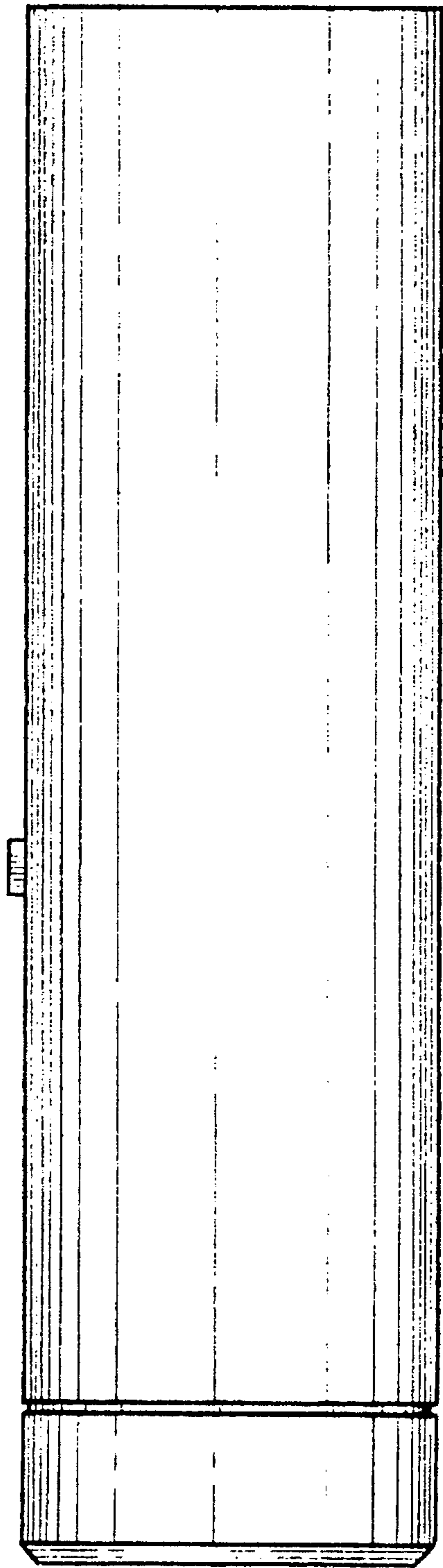


FIG. 7