



US00D371213S

United States Patent [19]

[11] Patent Number: **Des. 371,213**

Hardy et al.

[45] Date of Patent: ****Jun. 25, 1996**

[54] CANDLE HOLDER

[75] Inventors: **Christopher Hardy; Alice Van Meter**, both of Springfield; **David F. Linderman**, Champaign, all of Ill.

[73] Assignee: **Design Ideas, Ltd.**, Springfield, Ill.

[**] Term: **14 Years**

[21] Appl. No.: **42,098**

[22] Filed: **Aug. 1, 1995**

Related U.S. Application Data

[62] Division of Ser. No. 33,392, Jan. 11, 1995.

[52] U.S. Cl. **D26/9**

[58] Field of Search D26/9-13, 20-22;
D11/152-3; 431/288, 240-2, 294, 297,
299, 125; 362/161, 392-3

[56] References Cited

U.S. PATENT DOCUMENTS

| | | | | |
|------------|---------|------------|-------|---------|
| D. 172,360 | 6/1954 | Price | | D26/20 |
| D. 175,658 | 9/1955 | Van Koert | | D26/20 |
| D. 242,495 | 11/1976 | Montgomery | | D11/154 |

OTHER PUBLICATIONS

Contemporary Candlesticks p. 146 Gifts & Access. 1979.
"Bubble" candle holder, Design Ideas 1995 catalog, p. 13.

Primary Examiner—A. Hugo Word
Assistant Examiner—Robin V. Taylor
Attorney, Agent, or Firm—Saidman DesignLaw Group

[57] CLAIM

The ornamental design for a candle holder, as shown and described.

DESCRIPTION

FIG. 1 is a perspective view of a candle holder showing our new design;

FIG. 2 is a side view thereof;

FIG. 3 is a top view thereof;

FIG. 4 is a bottom view thereof;

FIG. 5 is a perspective view of a second embodiment of a candle holder showing our new design;

FIG. 6 is a side view thereof, the top and bottom views being identical to FIGS. 3 & 4, respectively; and,

FIG. 7 is a side view of a third embodiment of a candle holder showing our new design, the top and bottom views being identical to FIGS. 3 & 4, respectively.

1 Claim, 3 Drawing Sheets

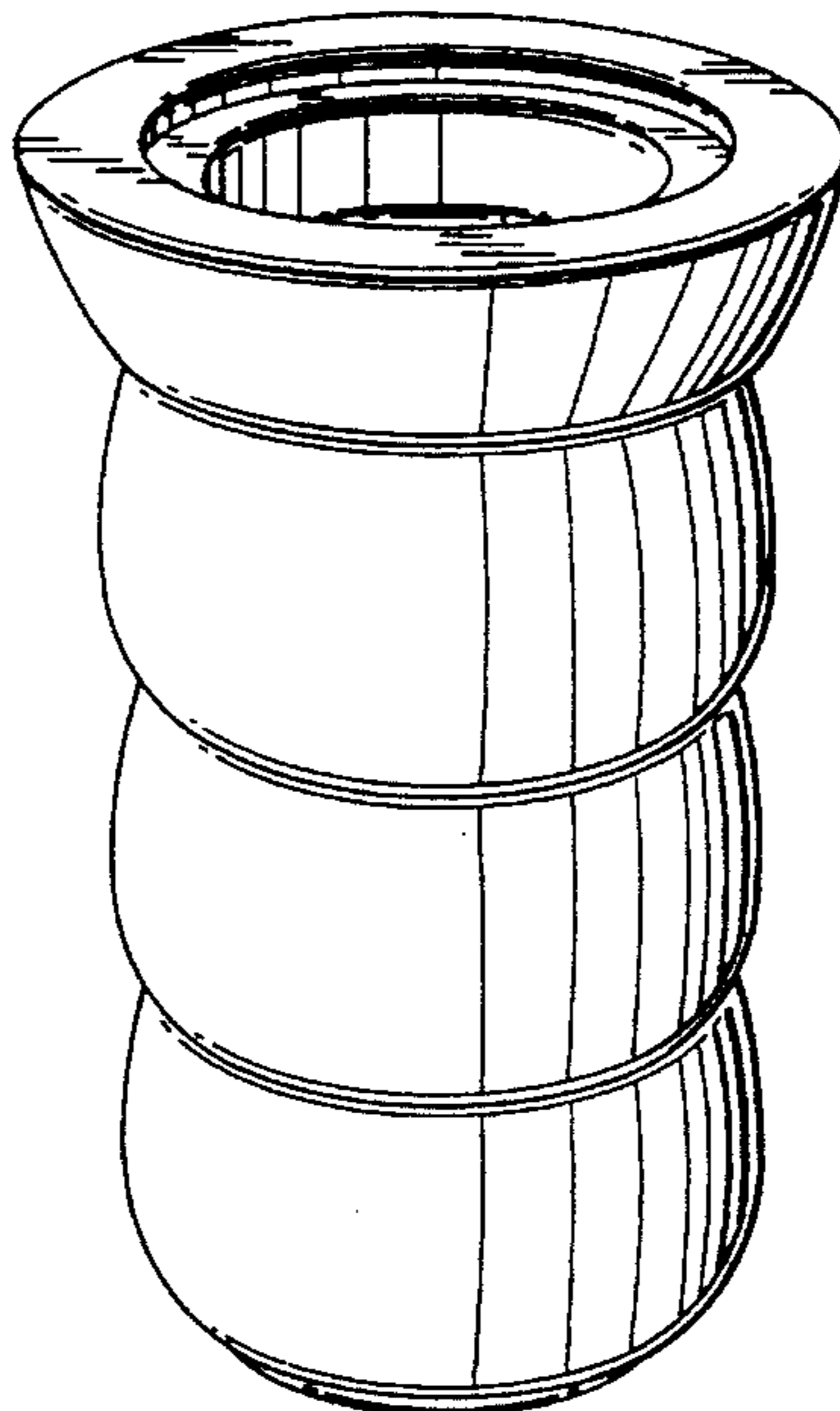
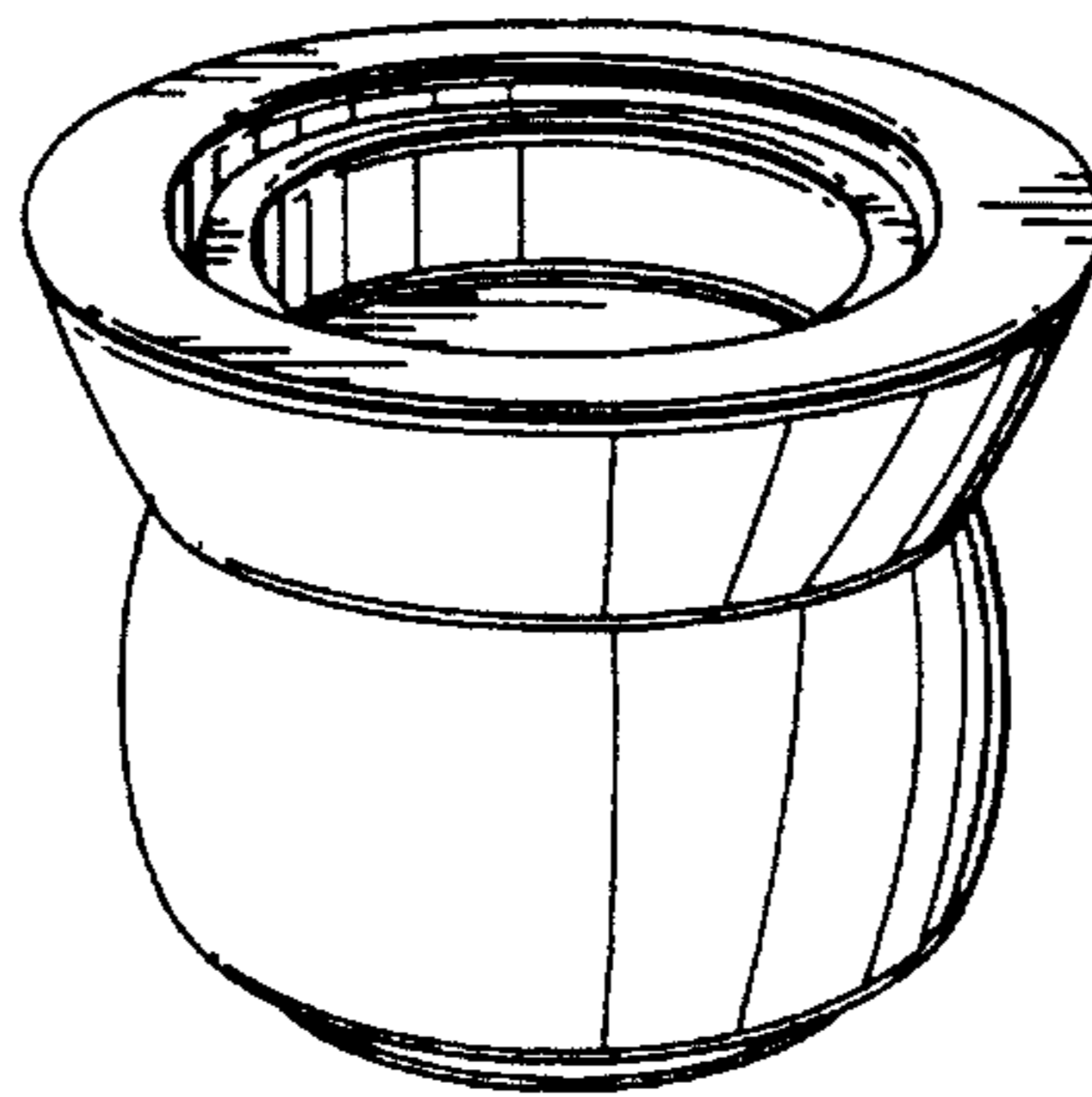


FIG. 1

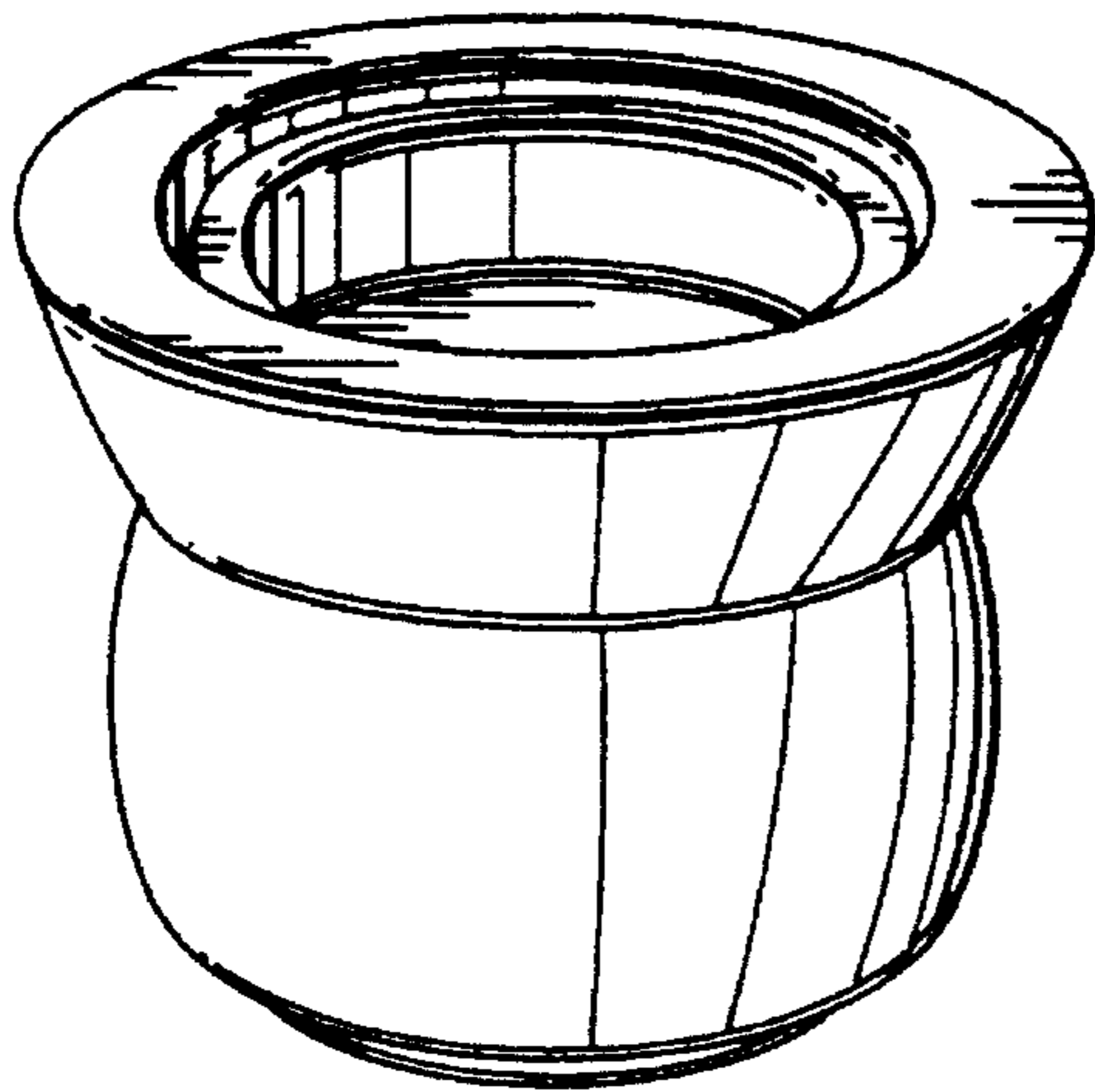


FIG. 2

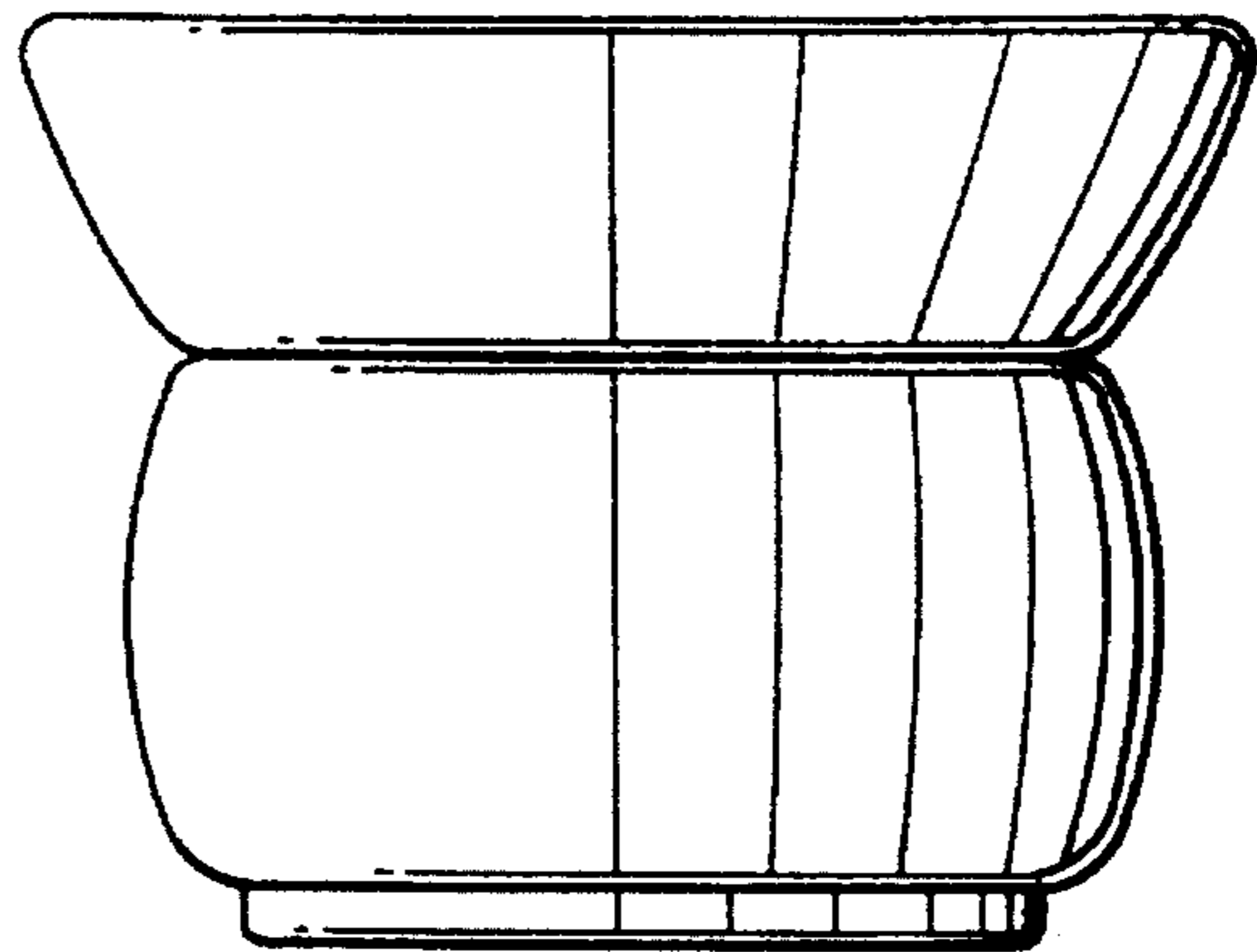


FIG. 3

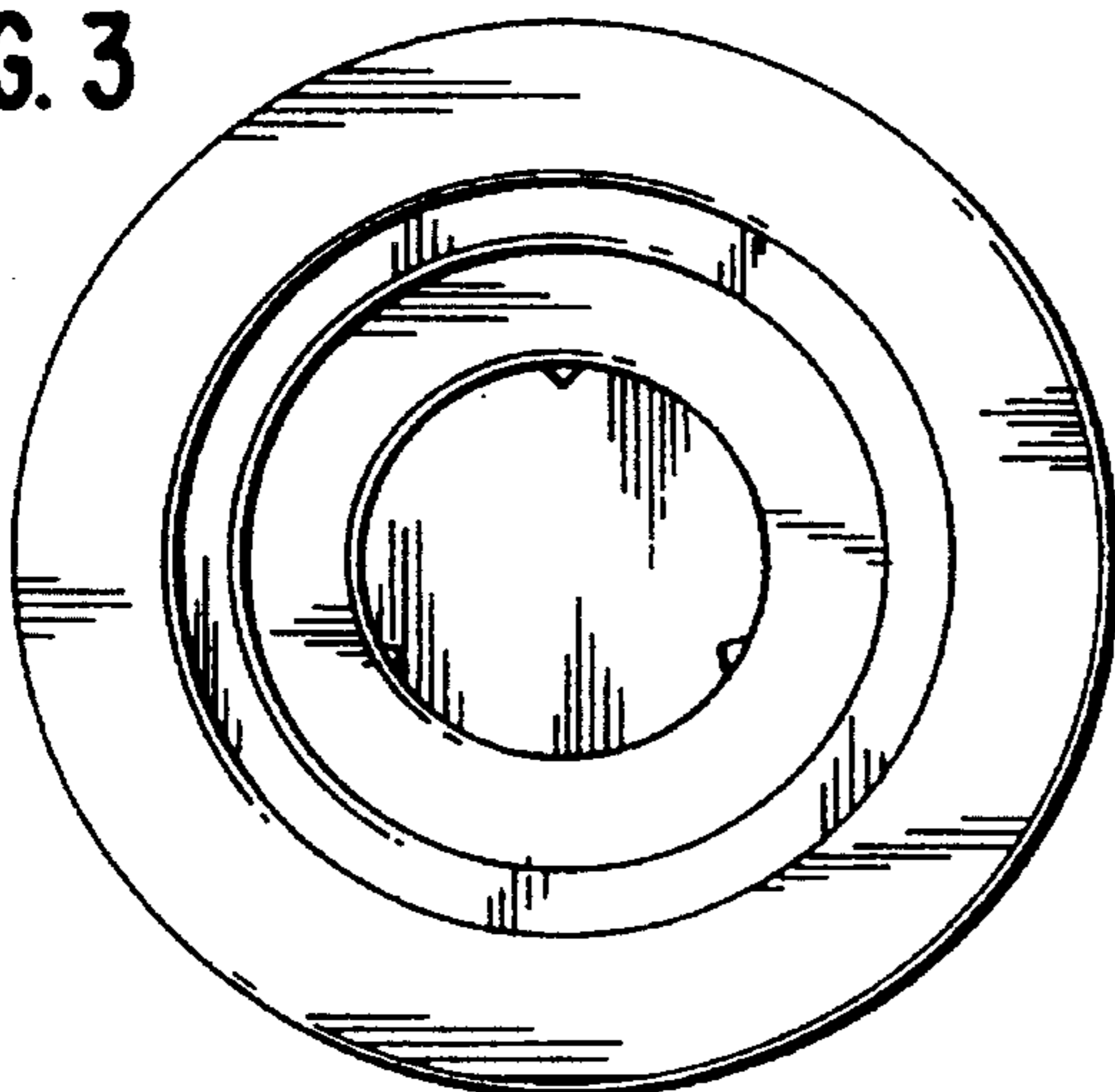


FIG. 4

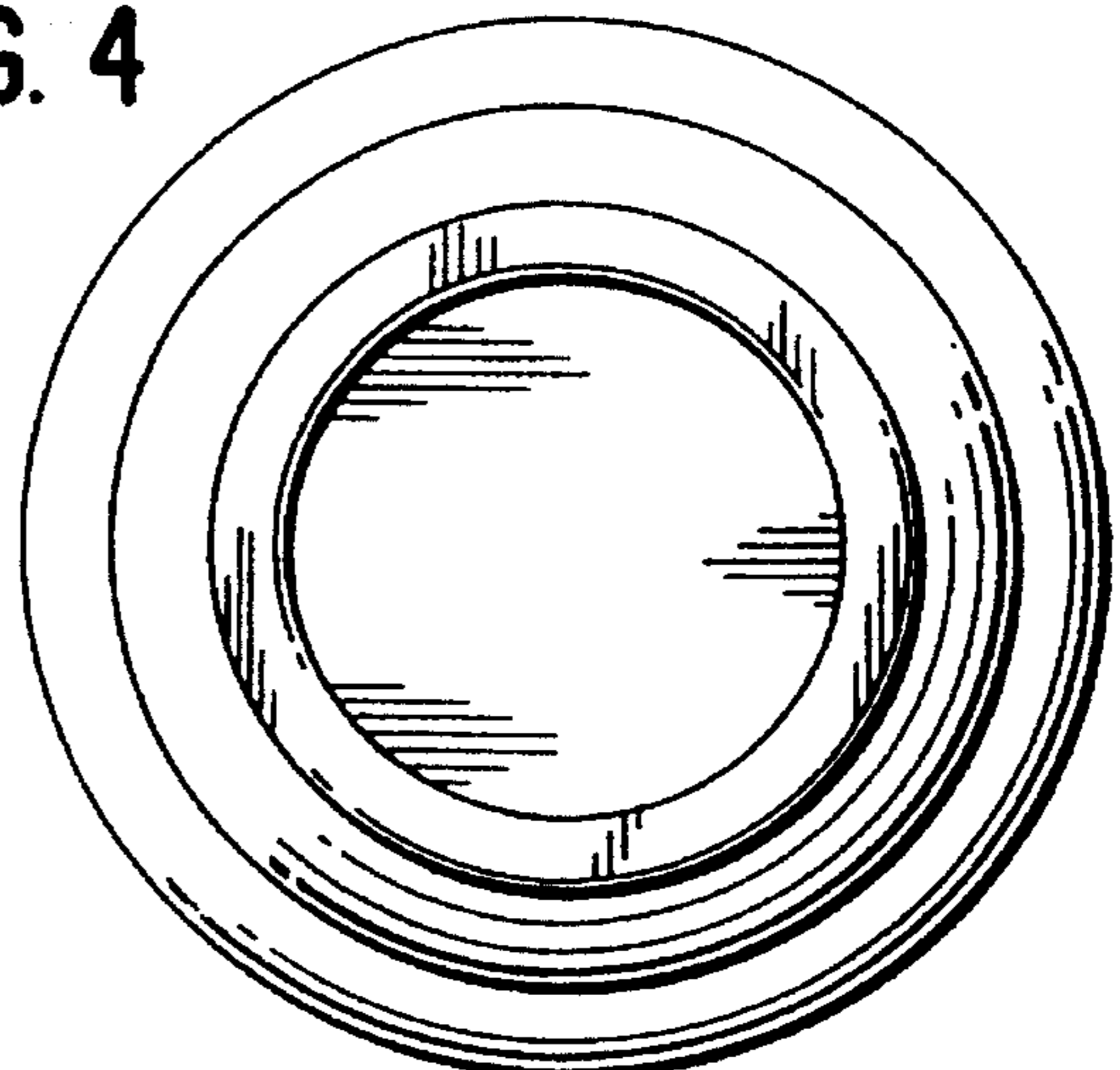


FIG. 5

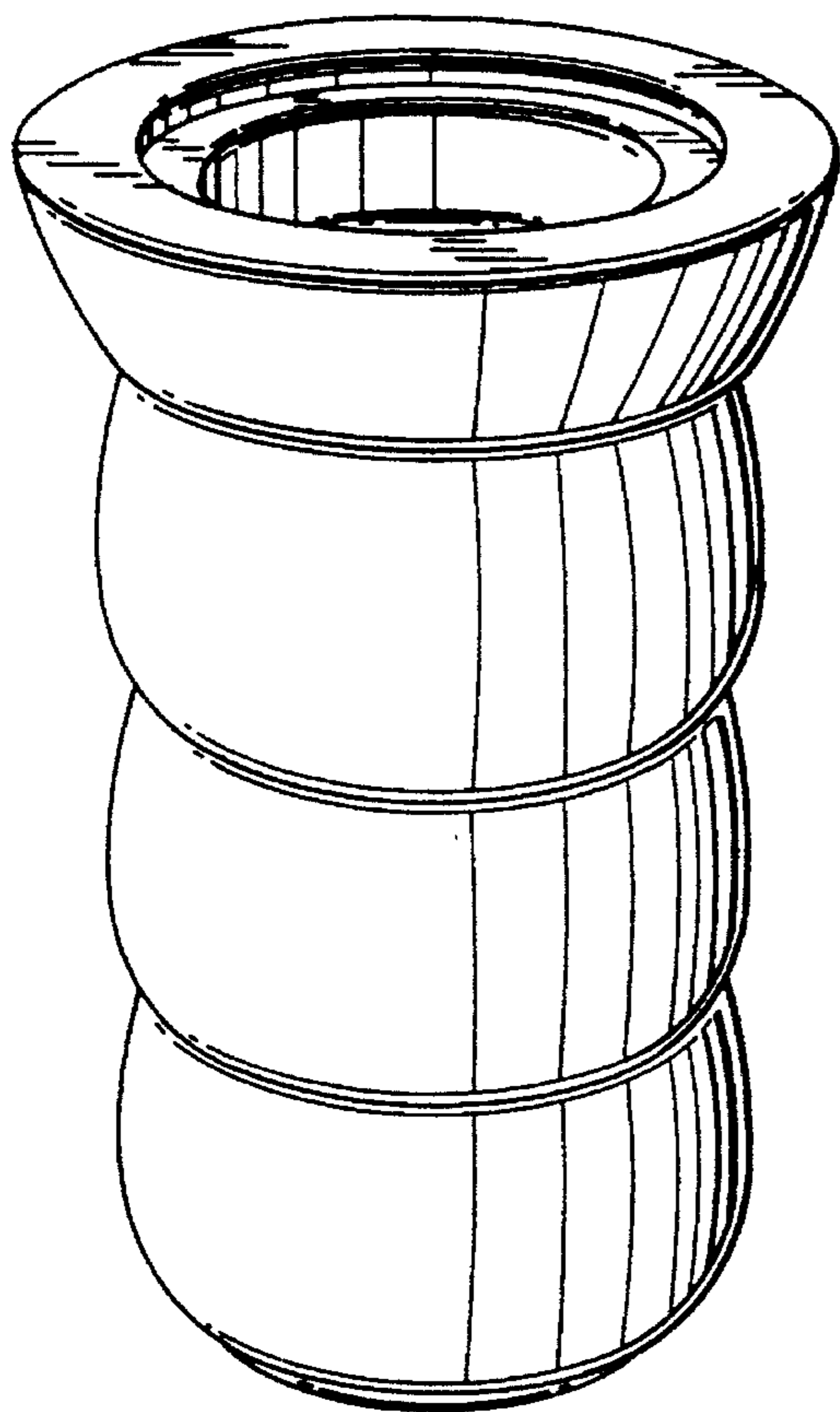


FIG. 6

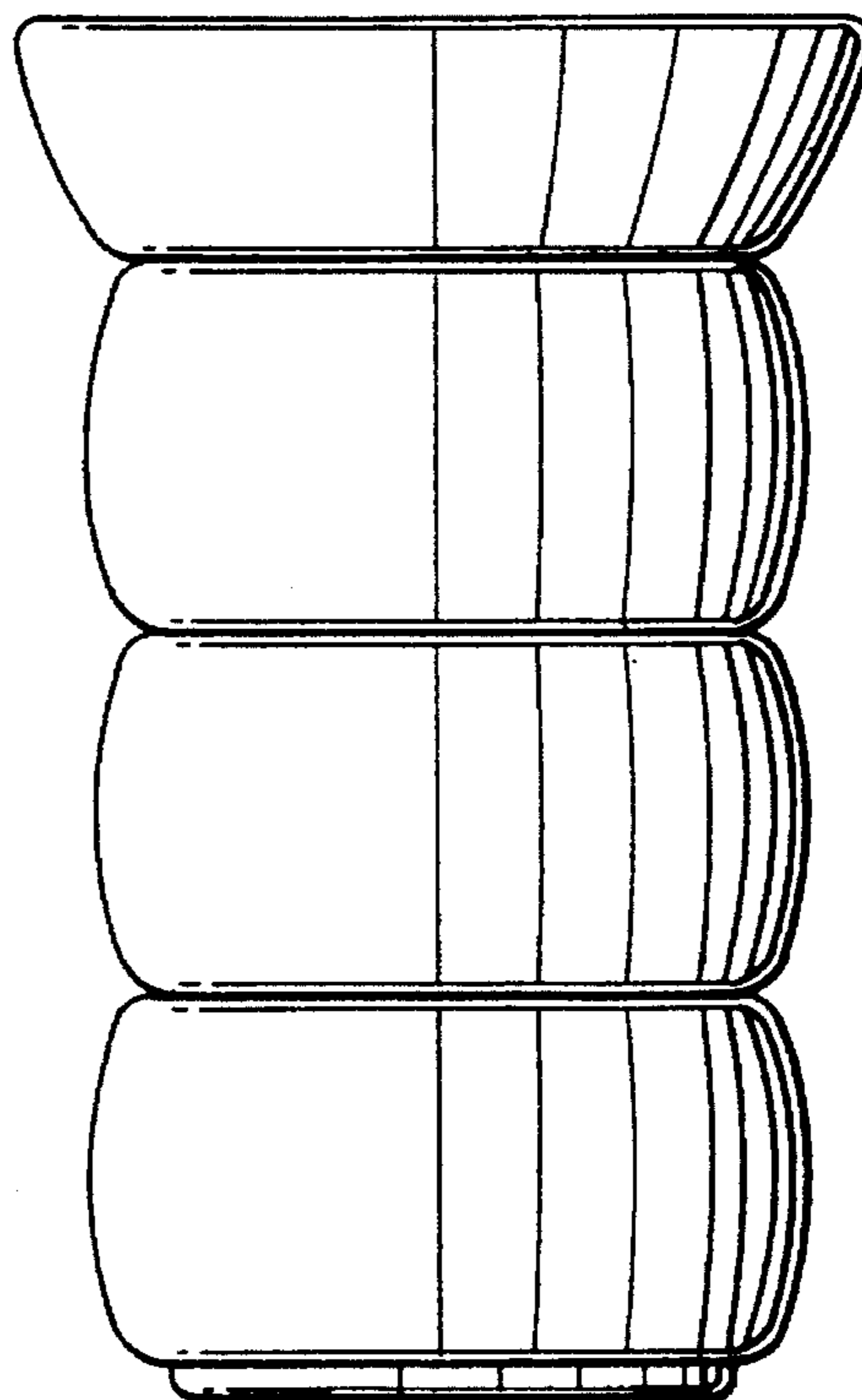


FIG. 7

