



US00D371212S

United States Patent [19]

[11] Patent Number: Des. 371,212

Hardy et al.

[45] Date of Patent: **Jun. 25, 1996

[54] CANDLE HOLDER

OTHER PUBLICATIONS

[75] Inventors: **Christopher Hardy**, Springfield; **David F. Linderman**, Champaign, both of Ill.

Contemporary Candlesticks p. 146 Gifts & Decorative Accessories 1979.

[73] Assignee: **Design Ideas, Ltd.**, Springfield, Ill.

"Bubble" candle holder, Design Ideas 1995 catalog, p. 13.

[**] Term: **14 Years**

Primary Examiner—A. Hugo Word

Assistant Examiner—Robin V. Taylor

Attorney, Agent, or Firm—Saidman DesignLaw Group

[21] Appl. No.: **33,392**

[57] CLAIM

[22] Filed: **Jan. 11, 1995**

The ornamental design for a candle holder, as shown and described.

[52] U.S. Cl. **D26/9**

[58] Field of Search D26/9-13, 20-22;
D11/152-3; 431/288, 290-2, 294, 297,
299, 125; 362/161, 392-3

DESCRIPTION

FIG. 1 is a perspective view of a candle holder showing our new design;

FIG. 2 is a side view thereof, the other side being a mirror image;

FIG. 3 is a top view thereof; and,

FIG. 4 is a bottom view thereof.

[56] References Cited

U.S. PATENT DOCUMENTS

D. 172,360	6/1954	Price	D26/20
D. 175,658	9/1955	Van Koert	D26/20
D. 242,495	11/1976	Montgomery	D11/154

1 Claim, 1 Drawing Sheet

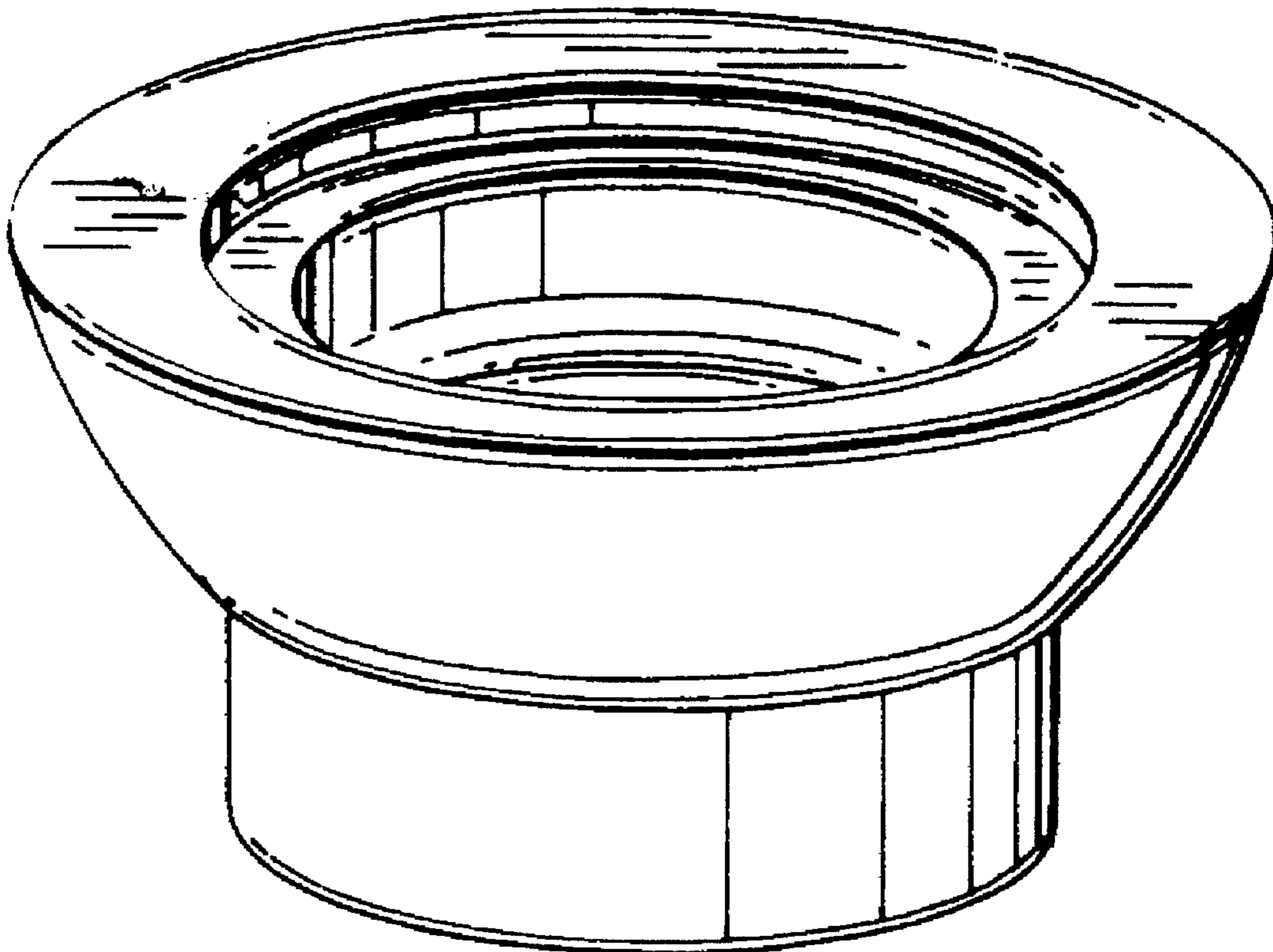


FIG. 1

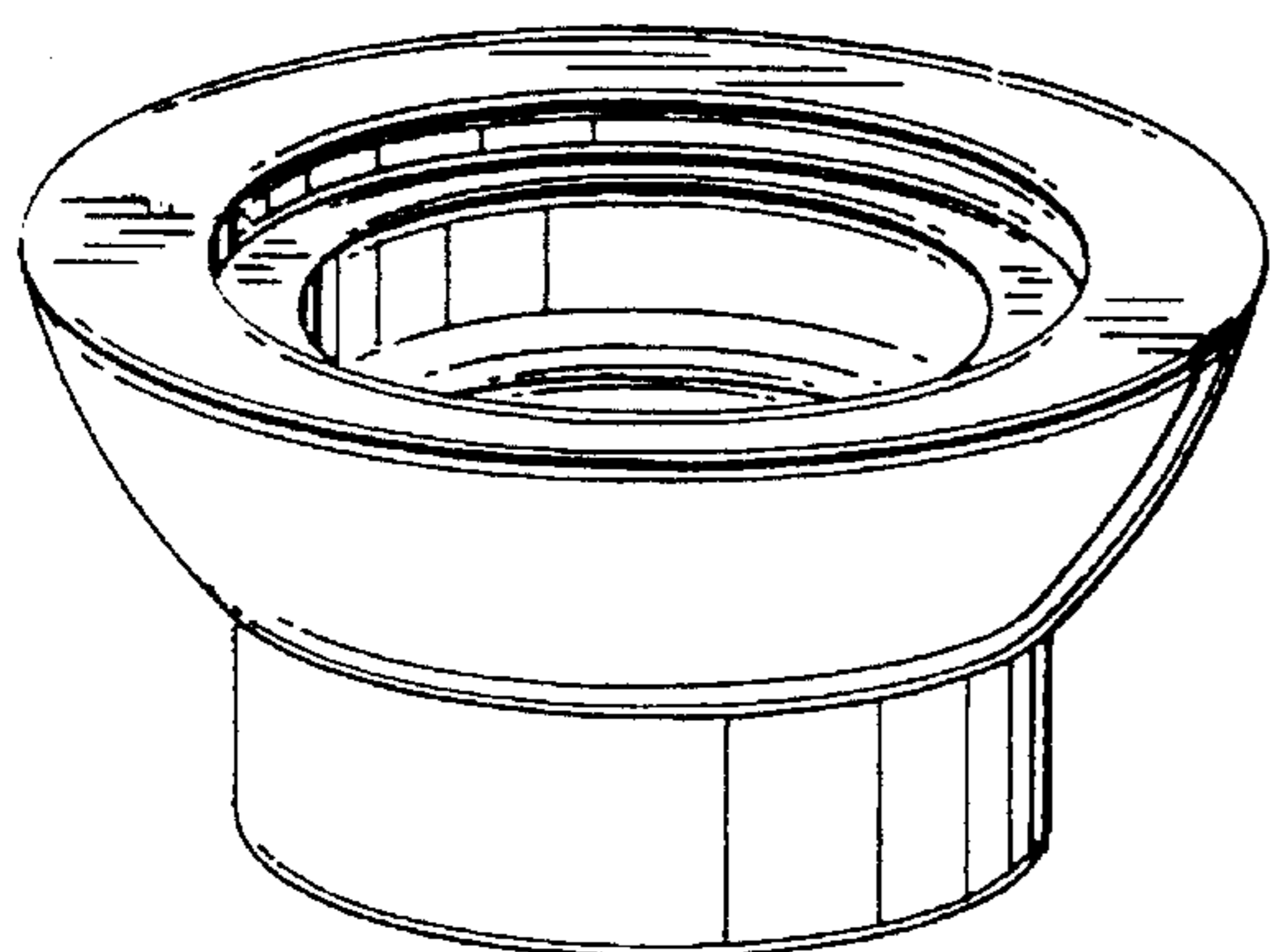


FIG. 2

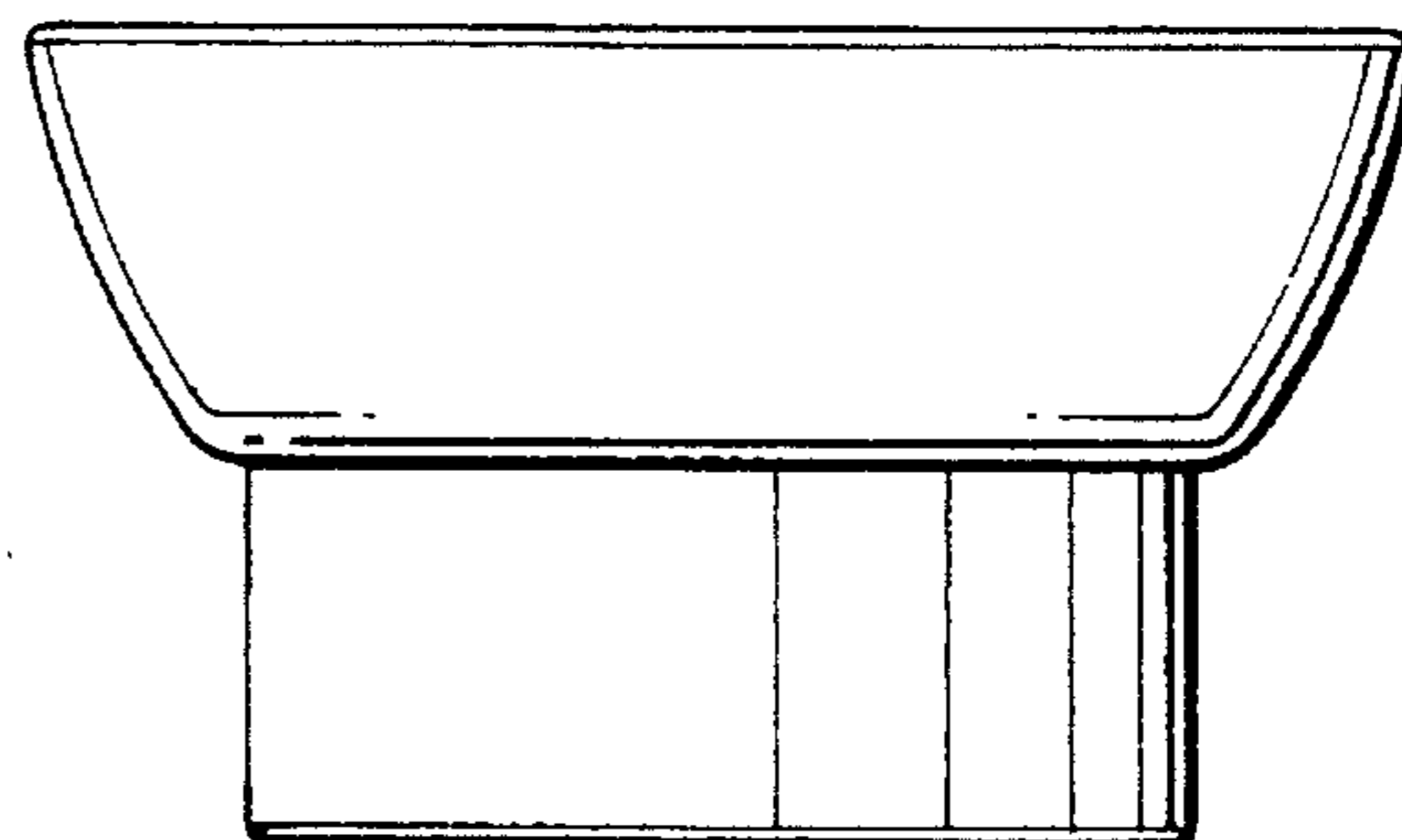


FIG. 3

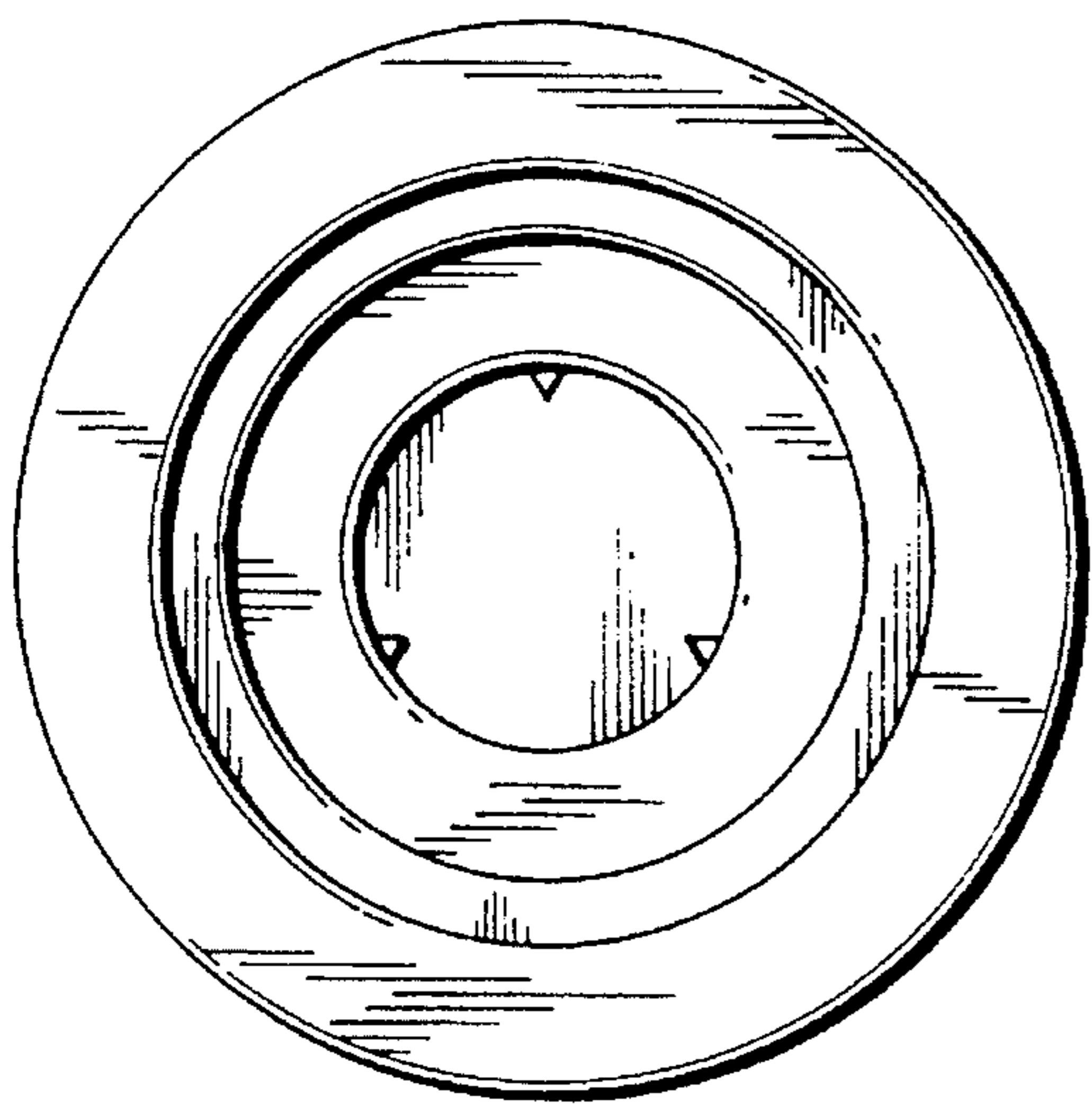


FIG. 4

