



US00D371210S

United States Patent [19]

[11] Patent Number: **Des. 371,210**

De Zen

[45] Date of Patent: ****Jun. 25, 1996**

[54] **WALL CAP EXTRUSION FOR A BUILDING STRUCTURE**

D. 335,711 5/1993 Cole D25/124
4,144,690 3/1979 Avery 52/731.2

[75] Inventor: **Vittorio De Zen**, Woodbridge, Canada

Primary Examiner—Louis S. Zarfes
Assistant Examiner—Gregory Andoll

[73] Assignee: **Royal Building Systems (CDN) Limited**, Weston, Canada

[57] **CLAIM**

[**] Term: **14 Years**

The ornamental design for a wall cap extrusion for a building structure, as shown and described.

[21] Appl. No.: **37,925**

DESCRIPTION

[22] Filed: **Apr. 25, 1995**

[52] U.S. Cl. **D25/124**

[58] **Field of Search** D25/60, 52, 124,
D25/125, 122, 136; 49/DIG. 2; 52/204.5,
204.56, 204.51, 730.3, 205, 730.1, 730.4,
730.6, 731.2, 92.2, 716.8

FIG. 1 is a perspective view of a wall cap extrusion to which the design has been applied;

FIG. 2 is an end elevational view of the wall cap extrusion;

FIG. 3 is a rear elevational view of the wall cap extrusion;

FIG. 4 is a plan view looking up from underneath the wall cap extrusion;

FIG. 5 is a front elevational view of the wall cap extrusion; and,

FIG. 6 is a top plan view of the wall cap extrusion.

It is understood that the wall cap extrusion for a building structure shown is of indeterminate length.

[56] **References Cited**

U.S. PATENT DOCUMENTS

D. 237,485 11/1975 Lundberg D25/124
D. 312,599 12/1990 Johnston D25/125
D. 333,357 2/1993 Cobb D25/124

1 Claim, 2 Drawing Sheets

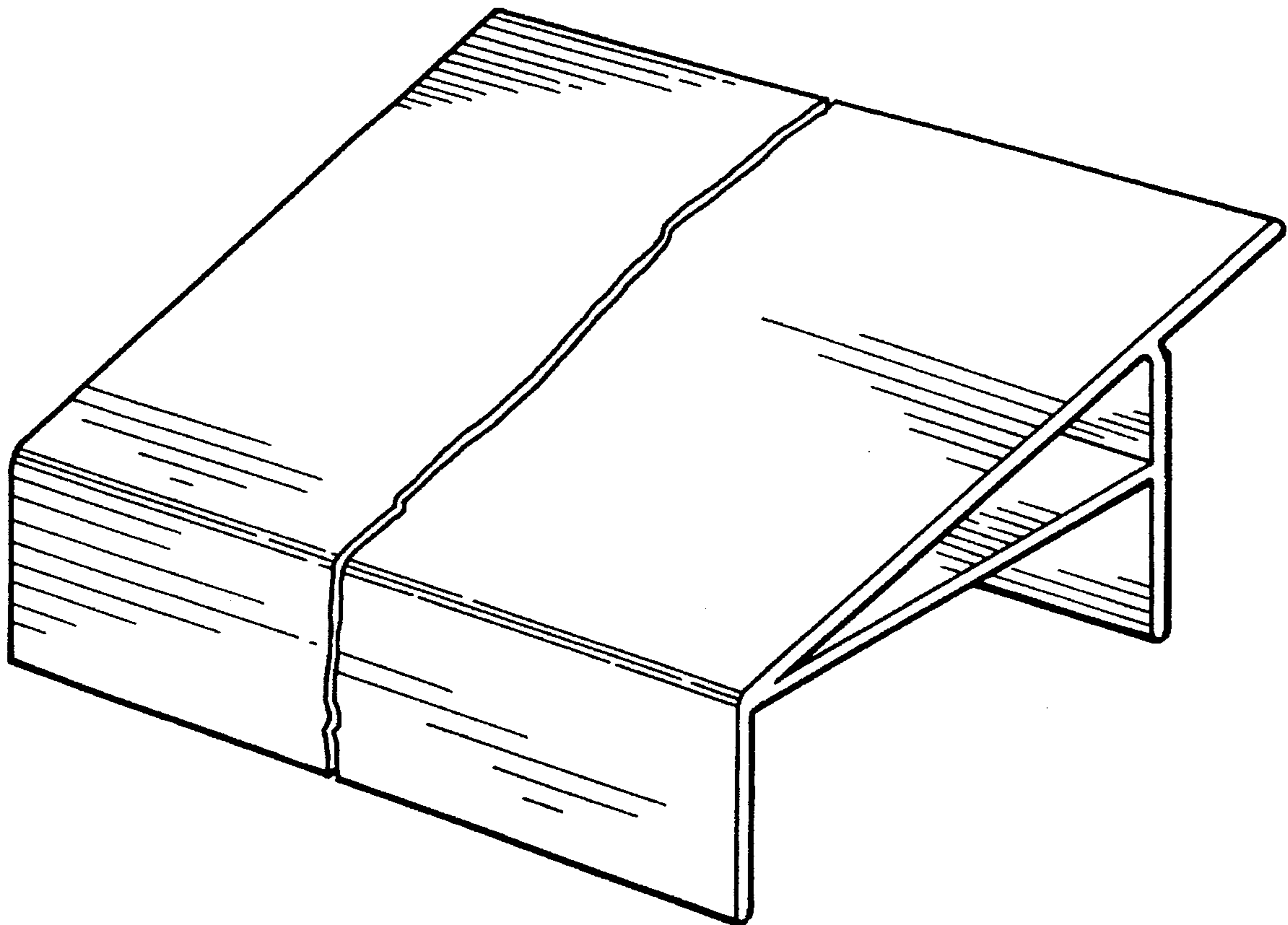


FIG.1.

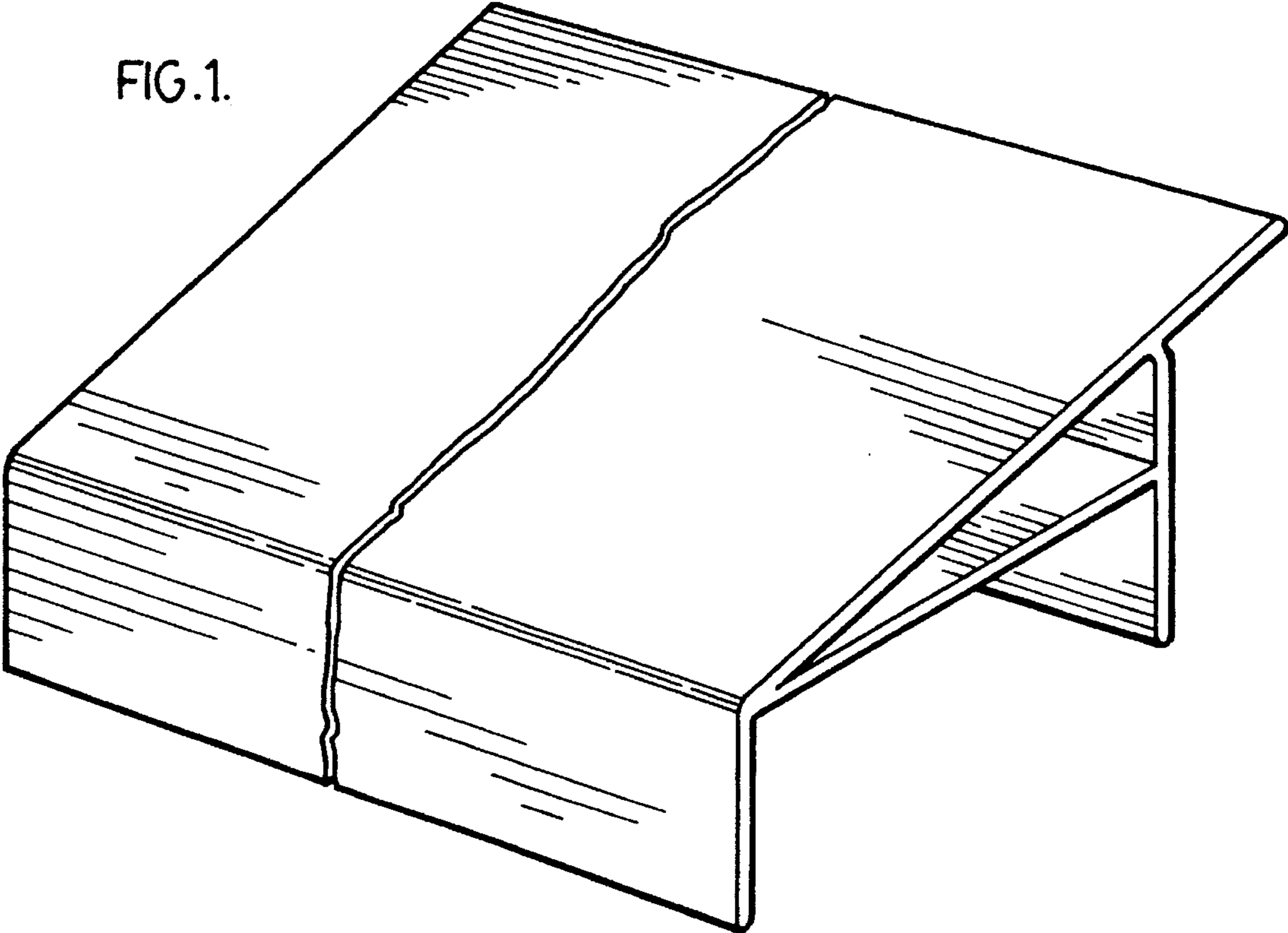


FIG.2.

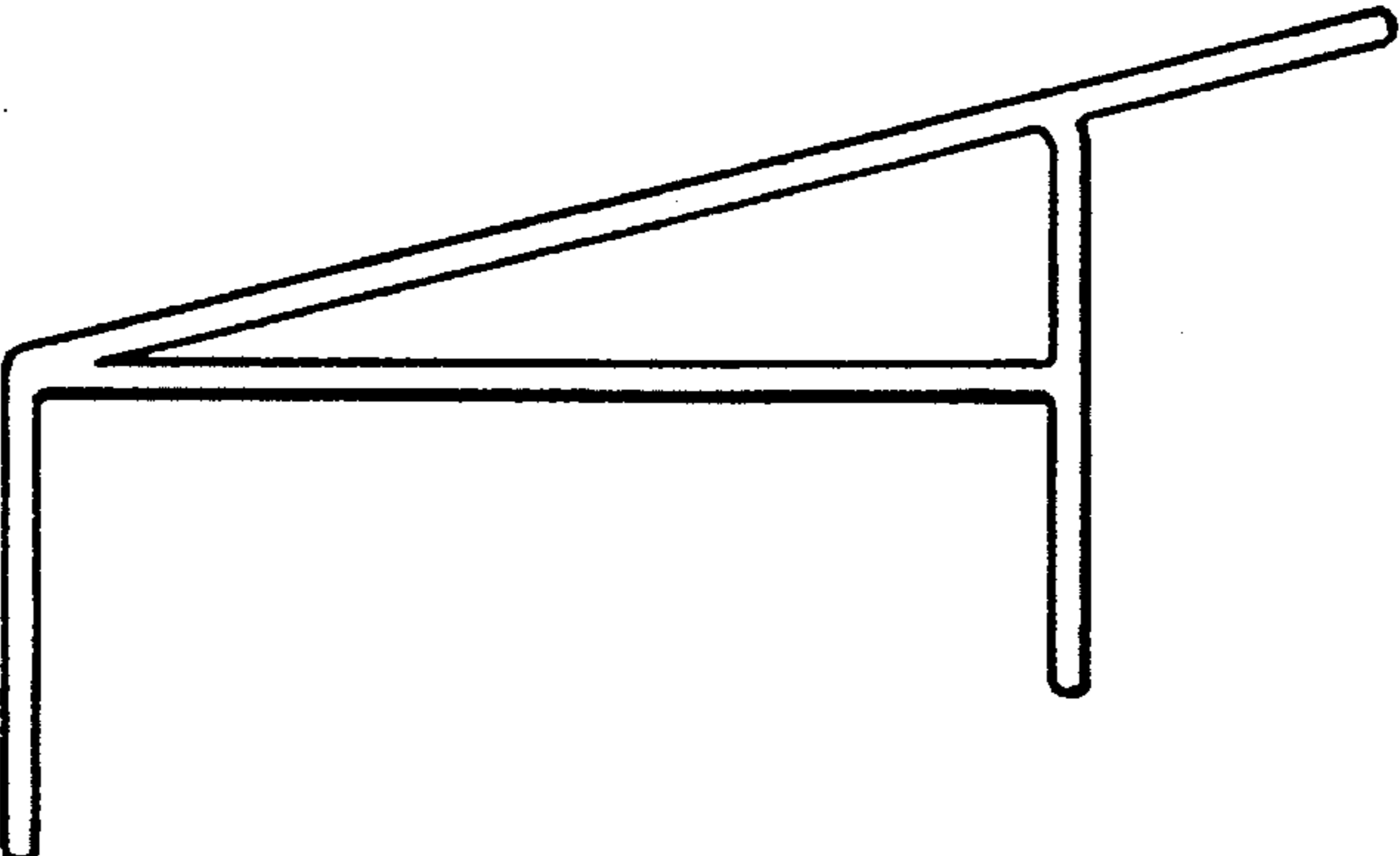


FIG.3.

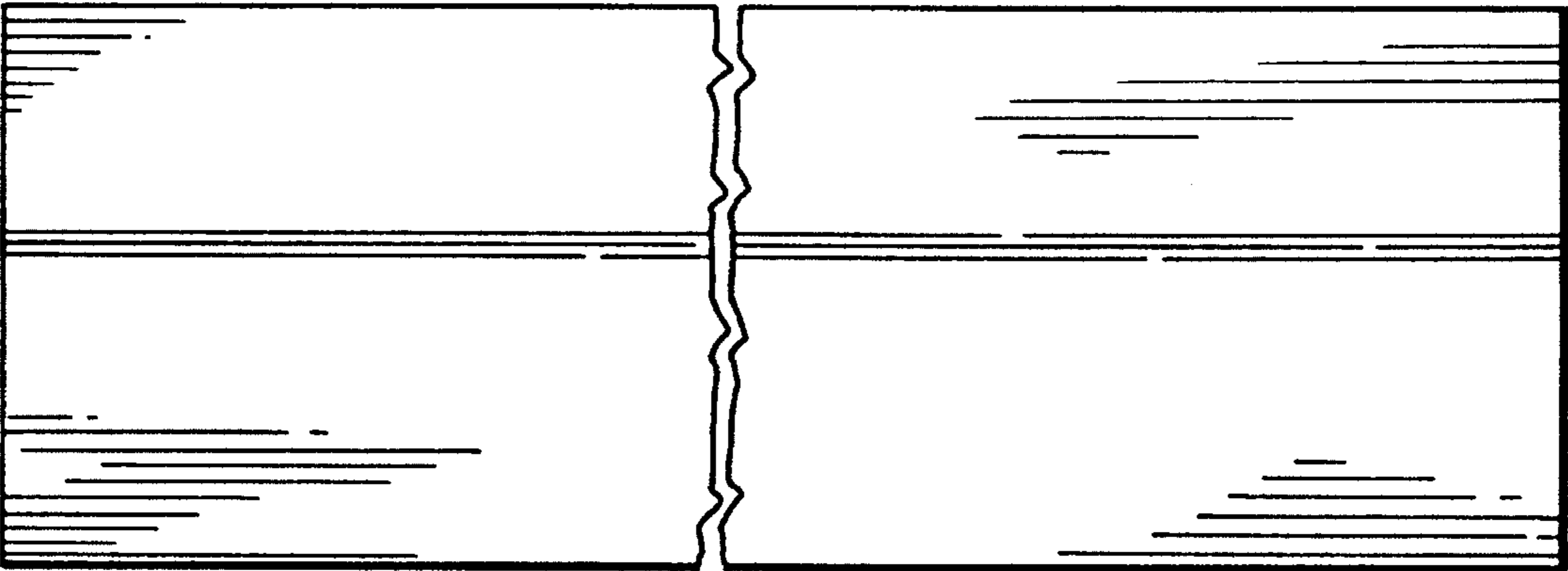


FIG.4.

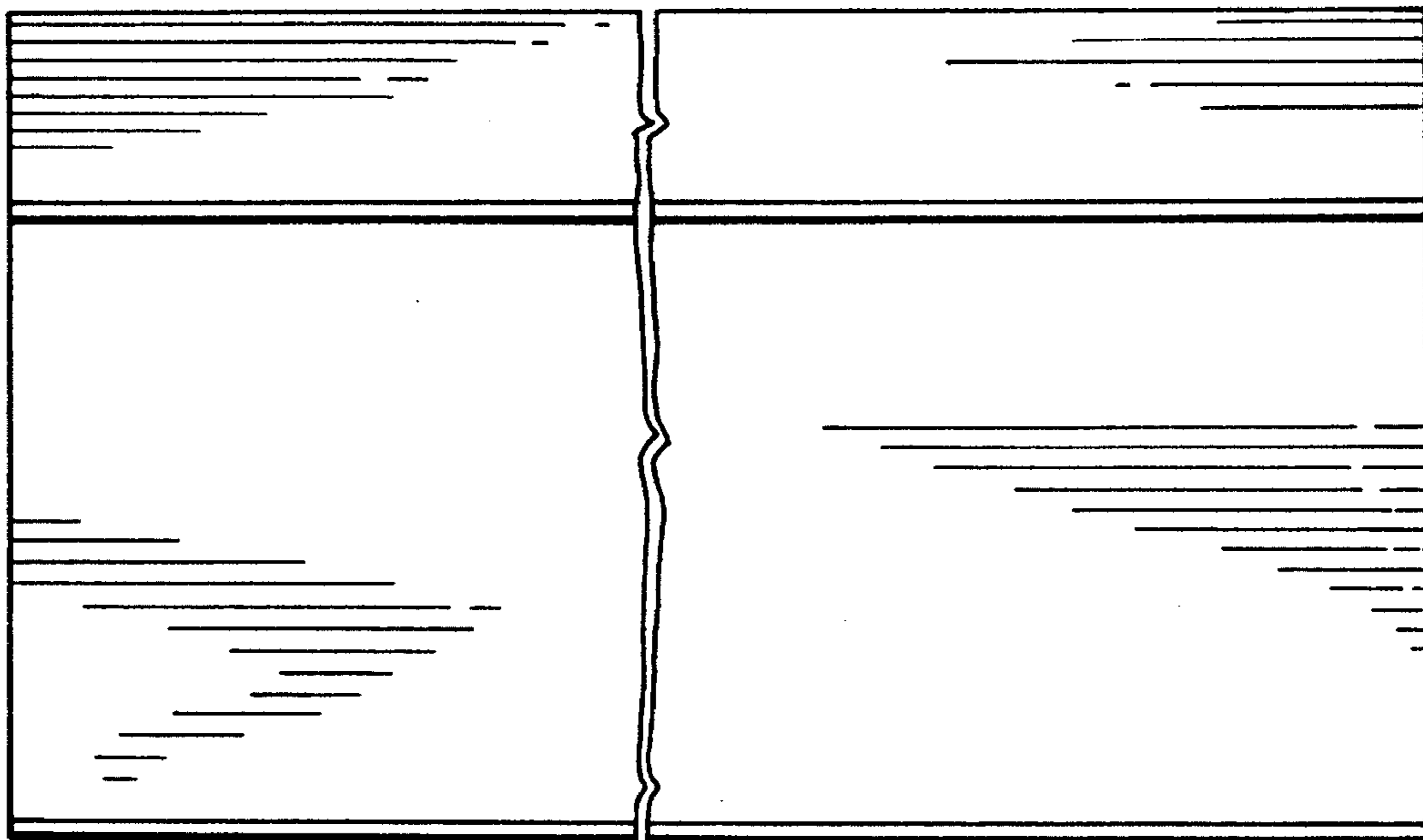


FIG.5.

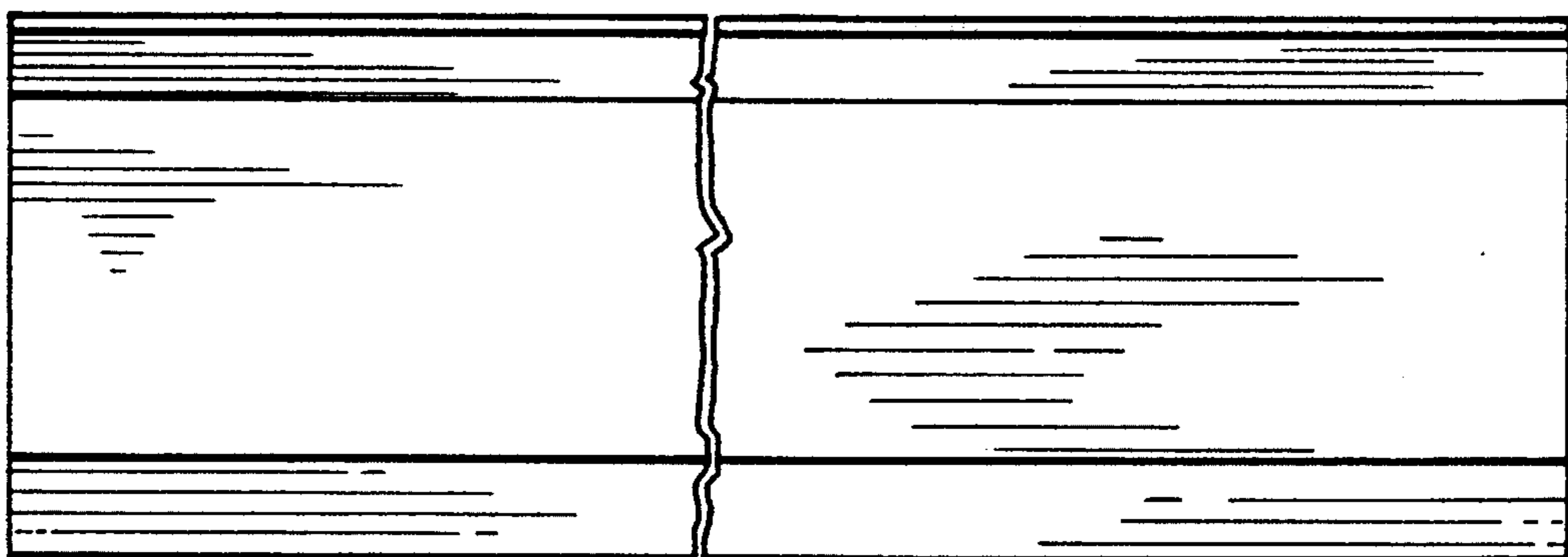


FIG.6.

