



US00D371205S

# United States Patent [19]

[11] Patent Number: **Des. 371,205**

Lechleiter et al.

[45] Date of Patent: **\*\*Jun. 25, 1996**

## [54] MULTIPLE SCREEN AREA

[75] Inventors: **Paul R. Lechleiter, Powell; Mark B. Artus, Beechwold, both of Ohio**

[73] Assignee: **Blockbuster Entertainment Corporation, Ft. Lauderdale, Fla.**

[\*\*] Term: **14 Years**

[21] Appl. No.: **31,785**

[22] Filed: **Dec. 6, 1994**

[52] U.S. Cl. .... **D25/1; D25/17; D25/32**

[58] Field of Search ..... **D25/1, 3, 12, 15, D25/16, 17, 22, 30, 31, 32, 33, 56, 102; D6/396, 421; D20/10; 40/124; 312/140.1**

## [56] References Cited

### U.S. PATENT DOCUMENTS

D. 258,087	1/1981	Bavis .....	D25/1 X
D. 266,592	10/1982	Bavis .....	D25/16 X
D. 273,637	5/1984	Benedetti et al. ....	D6/421
D. 331,077	11/1992	Foster .....	D20/10
3,980,361	9/1976	Shaw et al. ....	312/140.1 X

## OTHER PUBLICATIONS

*French Line*, Paris 1937 Exposition, p. 13, "Journaux" Vender, bottom right corner of page.

*Primary Examiner*—Louis S. Zarfaz  
*Assistant Examiner*—Monica A. Hannon  
*Attorney, Agent, or Firm*—Akin, Gump, Strauss, Hauer & Feld

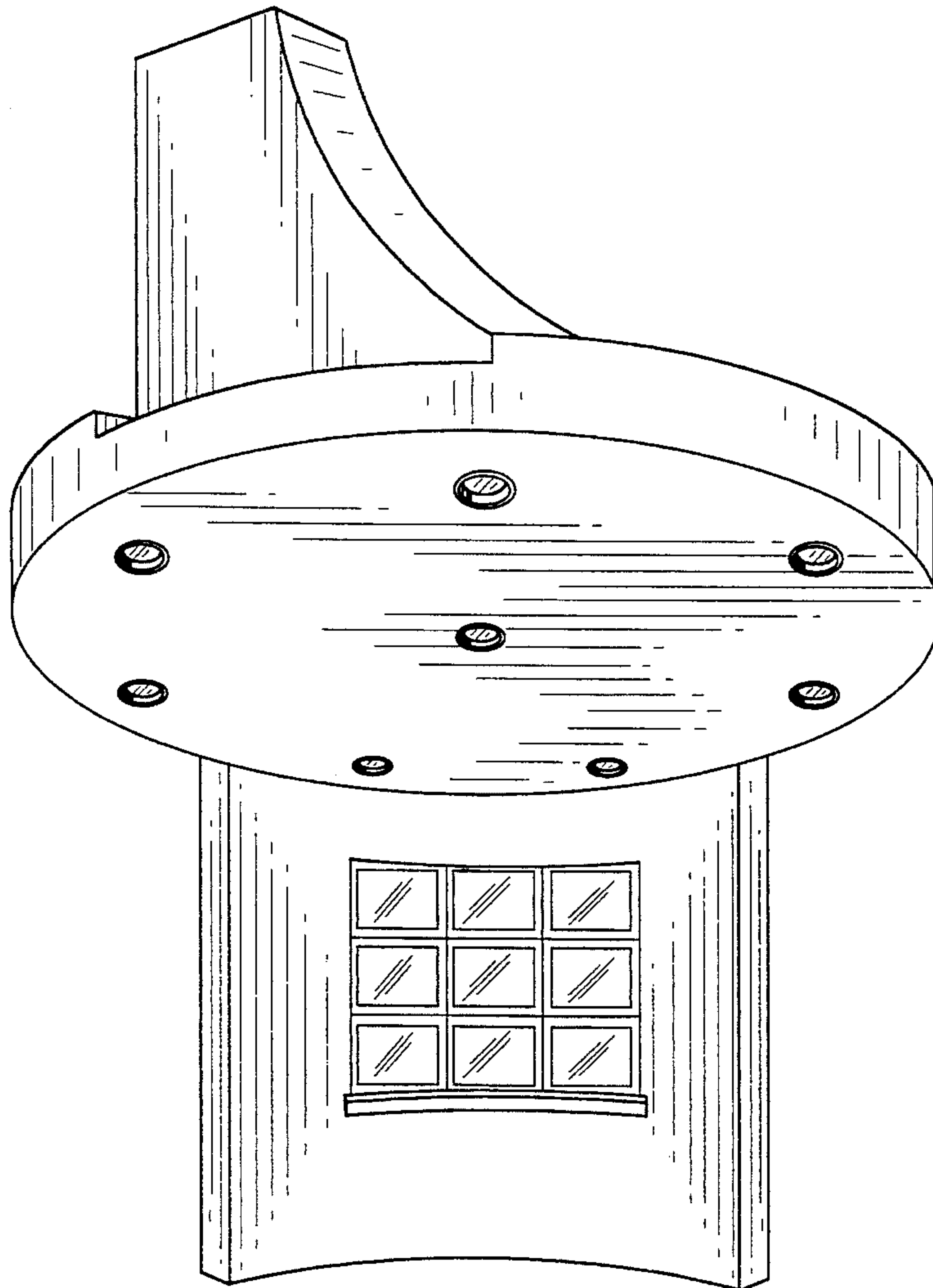
## [57] CLAIM

The ornamental design for a multiple screen area, as shown and described.

## DESCRIPTION

FIG. 1 is a perspective view of a multiple screen area showing our new design;  
FIG. 2 is a front elevational view thereof;  
FIG. 3 is a top plan view thereof;  
FIG. 4 is a left side elevational view thereof;  
FIG. 5 is a right side elevational view thereof;  
FIG. 6 is a rear elevational view thereof; and,  
FIG. 7 is a bottom plan view thereof.

**1 Claim, 4 Drawing Sheets**



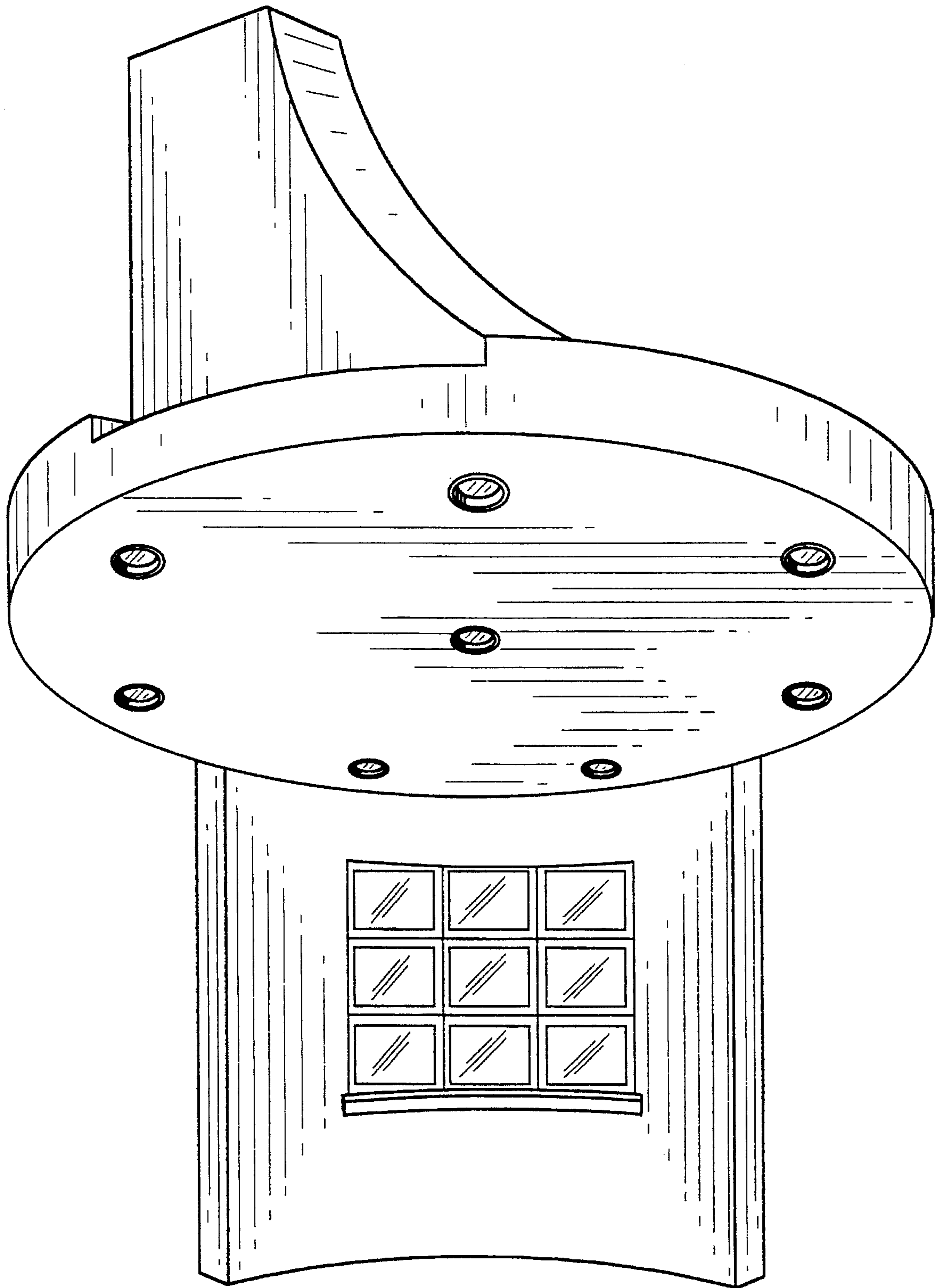


Fig. 1

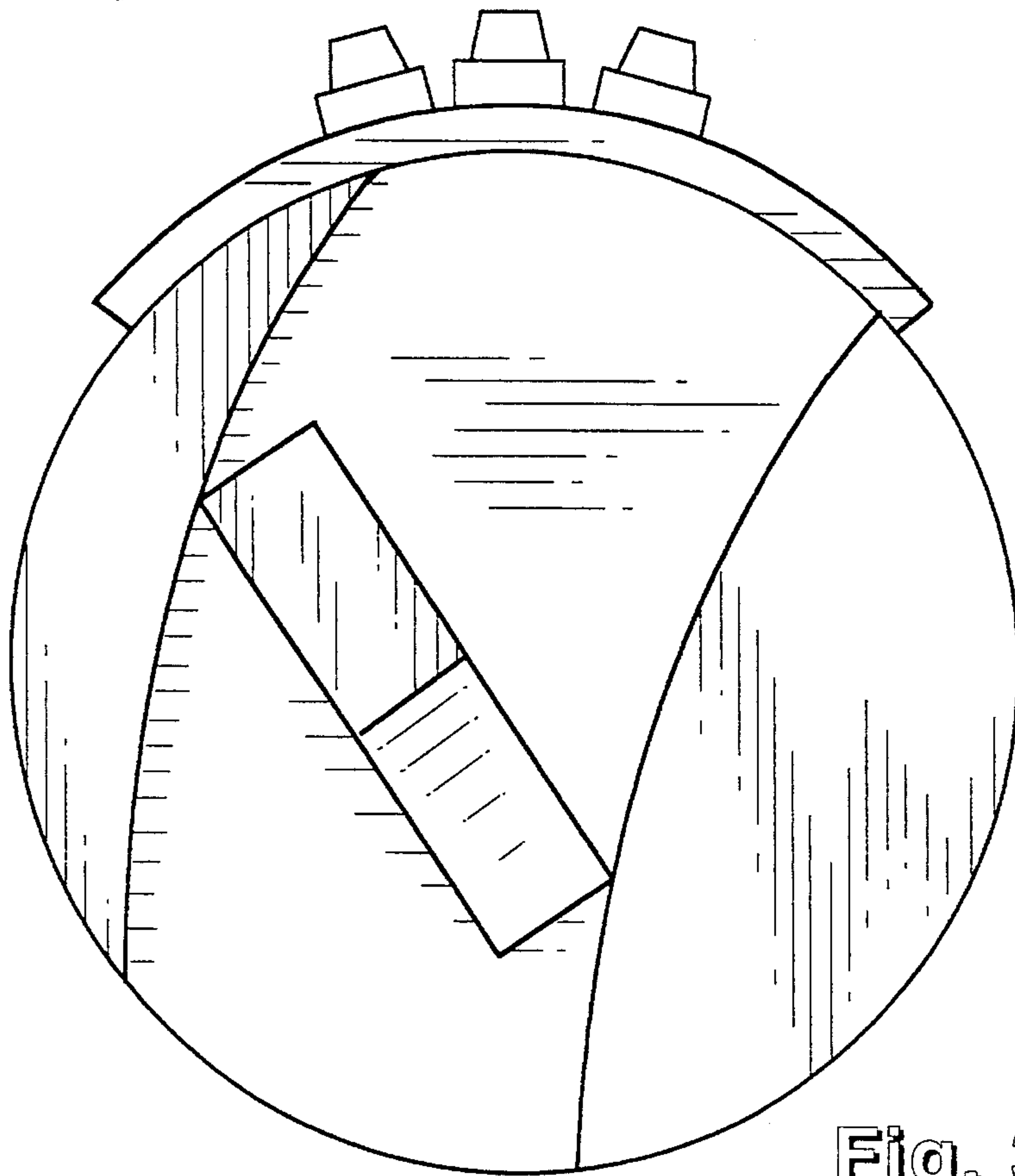


Fig. 3

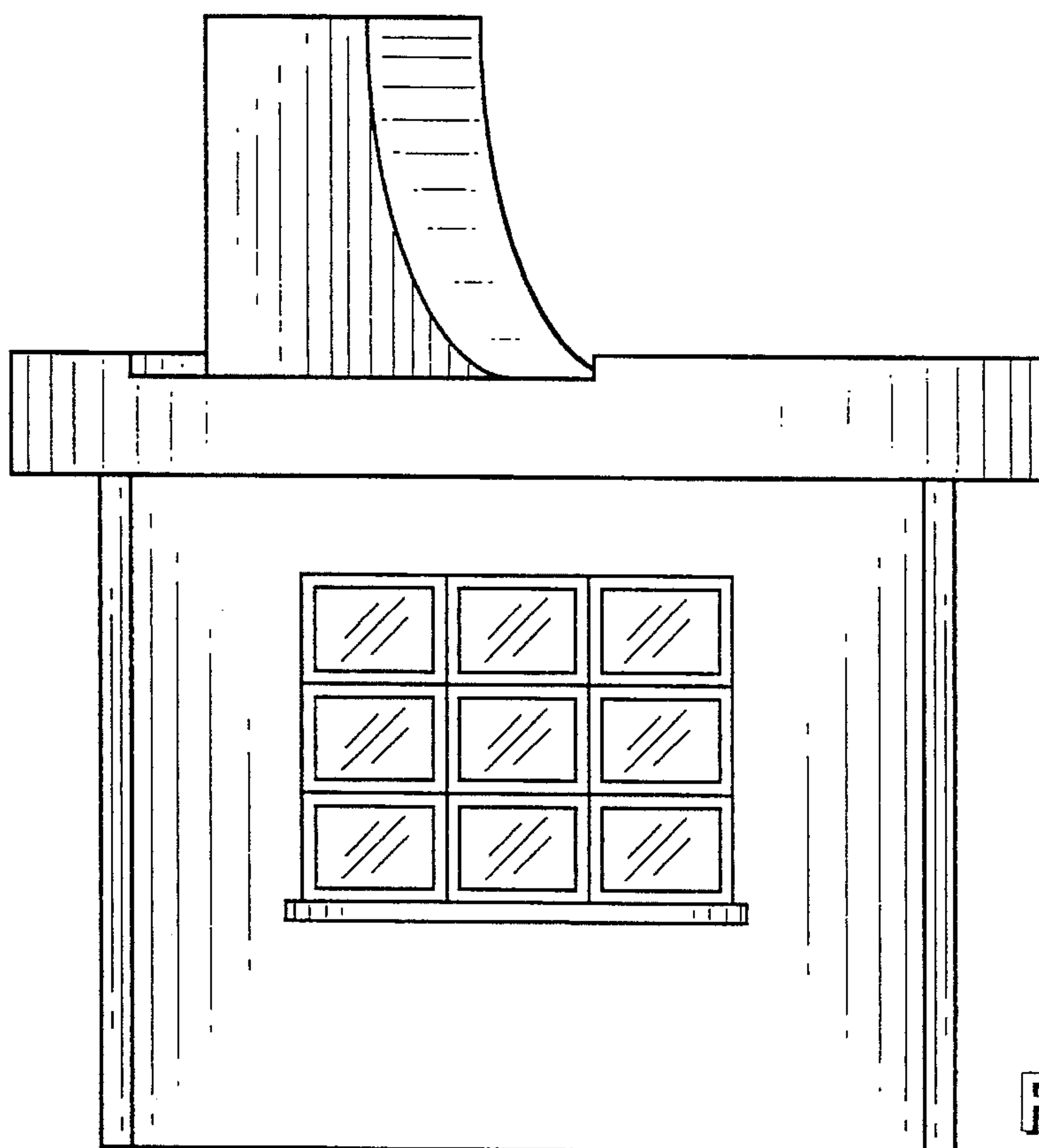


Fig. 2

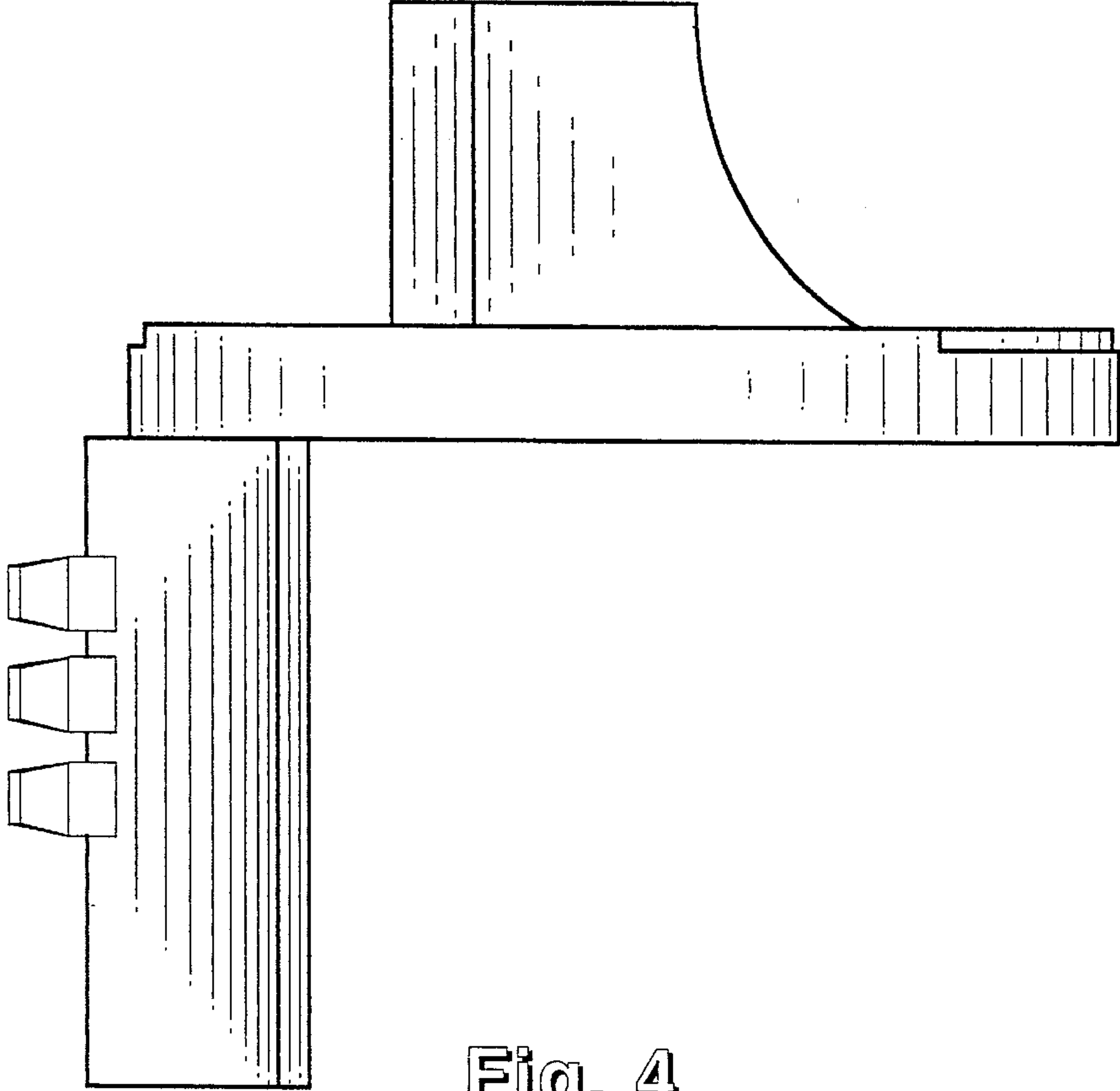


Fig. 4

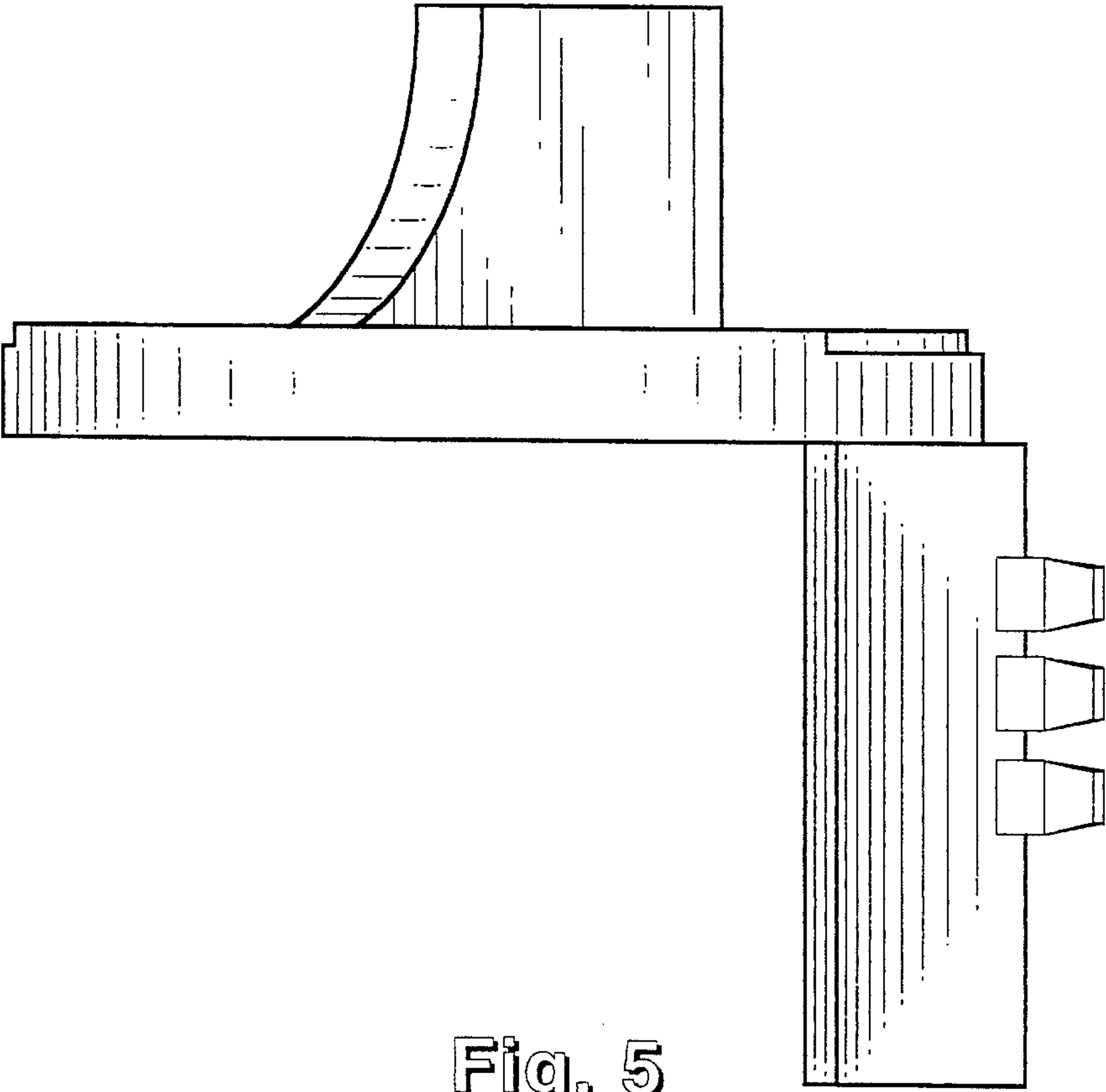


Fig. 5

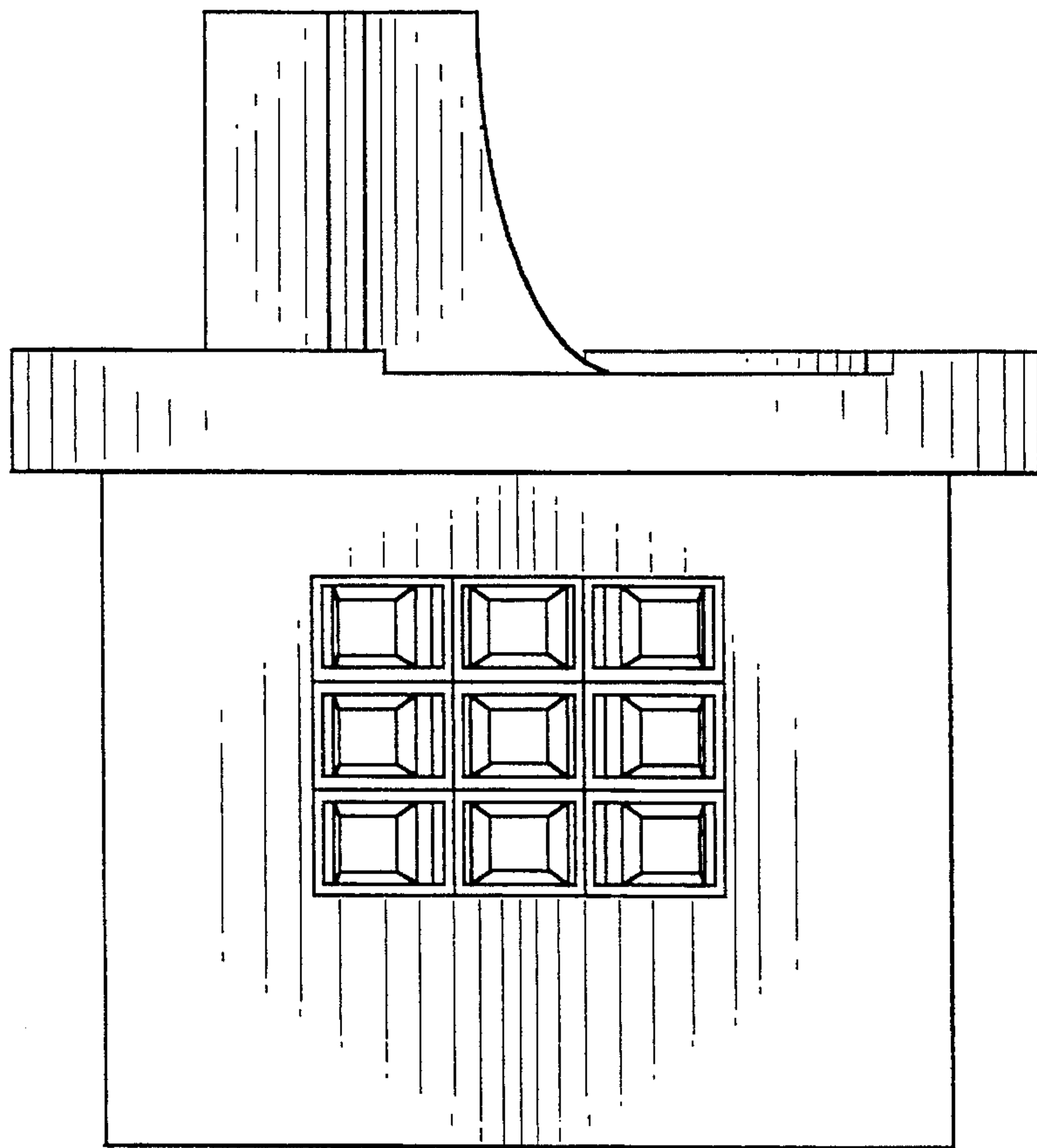


Fig. 6

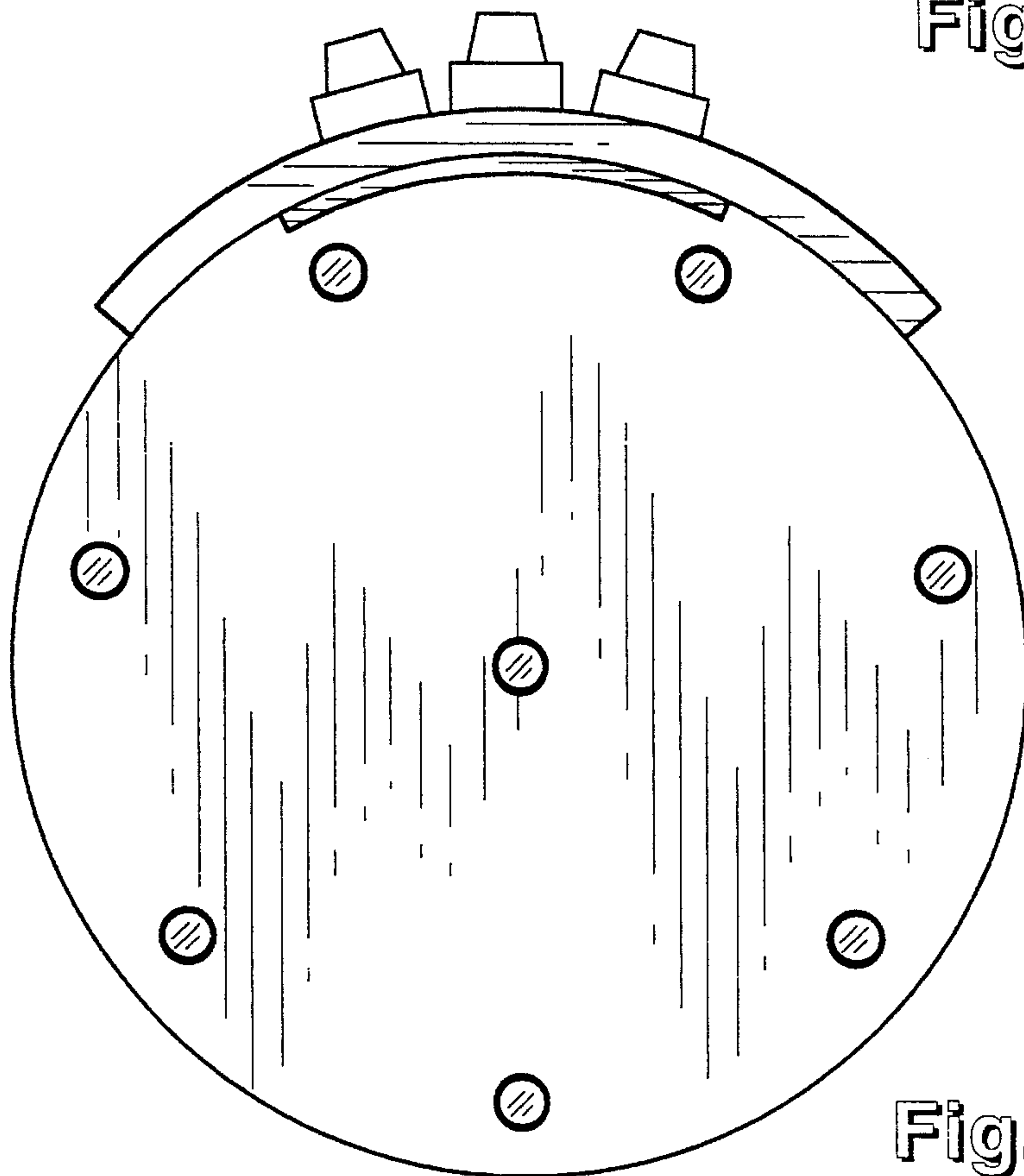


Fig. 7