



US00D371204S

United States Patent [19]
Nicholson

[11] **Patent Number: Des. 371,204**

[45] **Date of Patent: **Jun. 25, 1996**

[54] **CONTROL CONSOLE FOR A DENTAL
HANDPIECE SANITIZER**

3,826,612 7/1974 Black 422/298 X
4,937,046 6/1990 Anderson et al. .
4,975,245 12/1990 Archer et al. .
5,068,085 11/1991 Hastings .

[76] Inventor: **Morris Nicholson**, 2767 Warm Springs
Ave., Huntingdon, Pa. 16652

[**] Term: **14 Years**

Primary Examiner—Louis S. Zarfes
Assistant Examiner—I. Simmons
Attorney, Agent, or Firm—Terry M. Gernstein

[21] Appl. No.: **20,473**

[57] **CLAIM**

[22] Filed: **Mar. 28, 1994**

The ornamental design for a control console for a dental
handpiece sanitizer, as shown and described.

[52] U.S. Cl. **D24/217**

[58] **Field of Search** D24/217, 232,
D24/231; 422/300, 297, 299, 298, 302,
303

DESCRIPTION

FIG. 1 is a front, top and side perspective view of the control
console for a dental handpiece sanitizer showing my new
design;

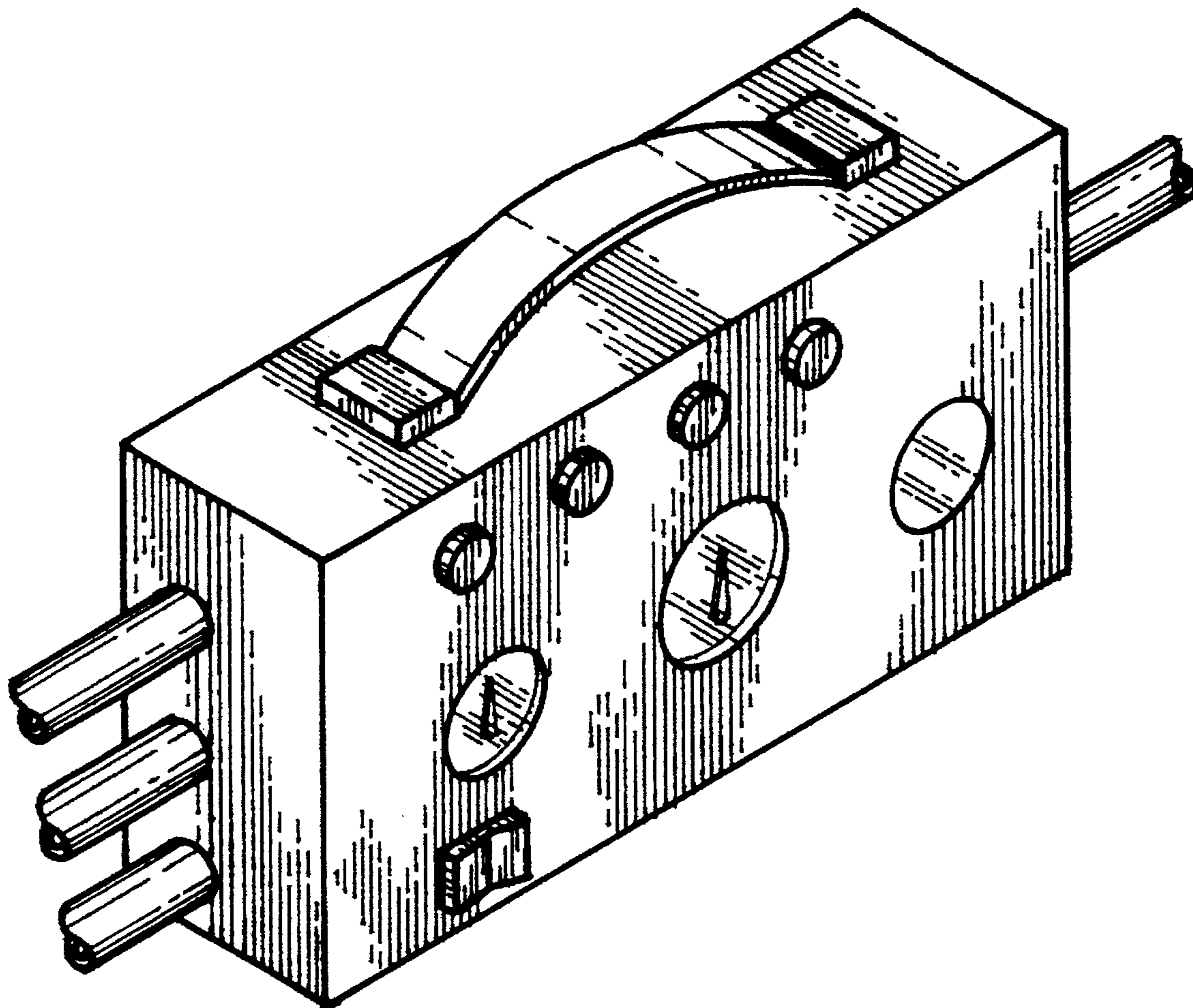
[56] **References Cited**

U.S. PATENT DOCUMENTS

D. 182,616	4/1958	Palma, Jr.	D24/217
D. 194,173	11/1962	Lauterbach	D24/217
D. 222,190	10/1971	Huston	D24/217
D. 222,191	10/1971	Huston	D24/217
3,723,060	3/1973	Lisiecki	422/302 X

FIG. 2 is a side elevational view thereof;
FIG. 3 is a side elevational view thereof;
FIG. 4 is a front elevational view thereof;
FIG. 5 is a rear elevational view thereof;
FIG. 6 is a top plan view thereof; and,
FIG. 7 is a bottom plan view thereof.

1 Claim, 3 Drawing Sheets



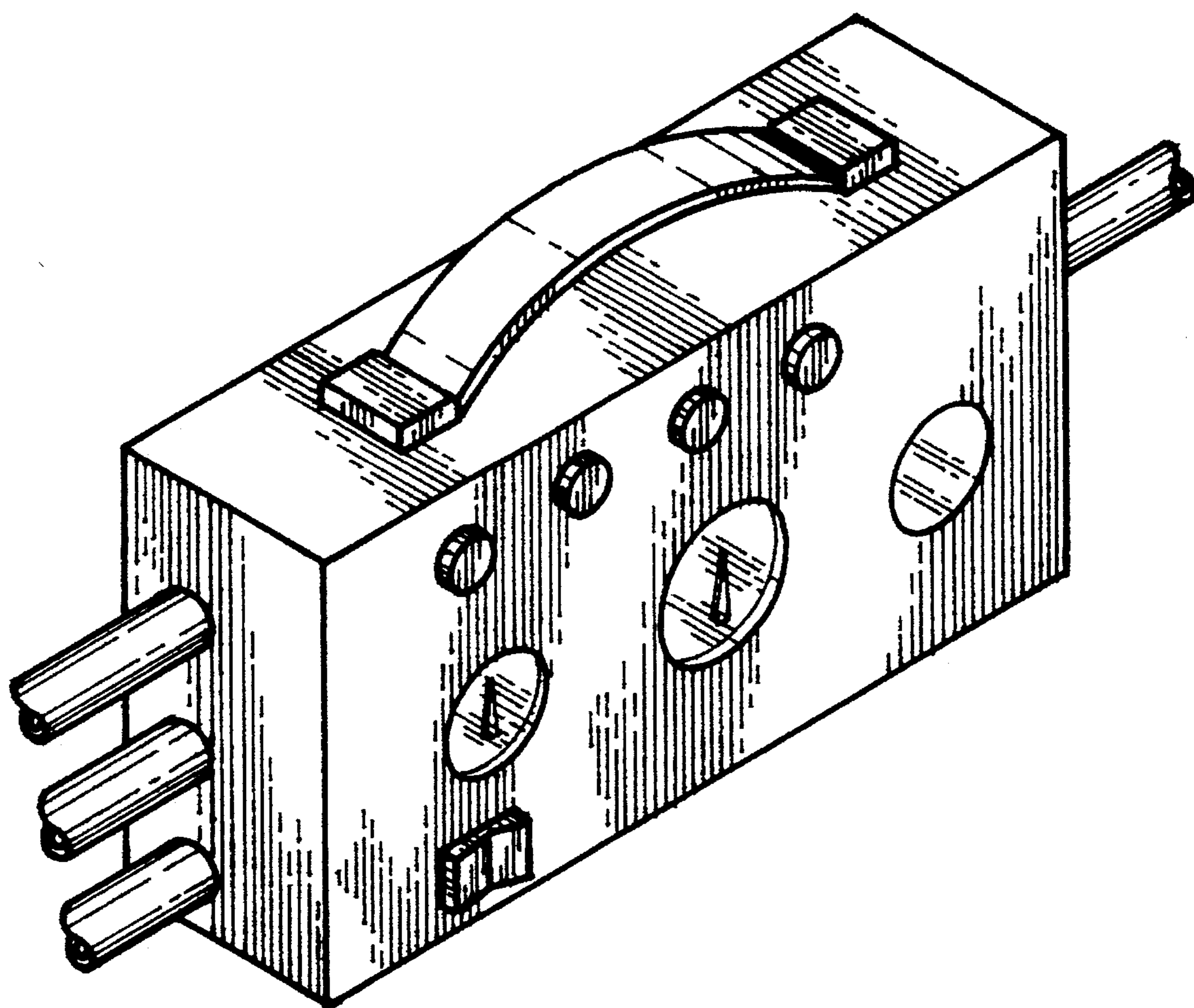


FIG. 1

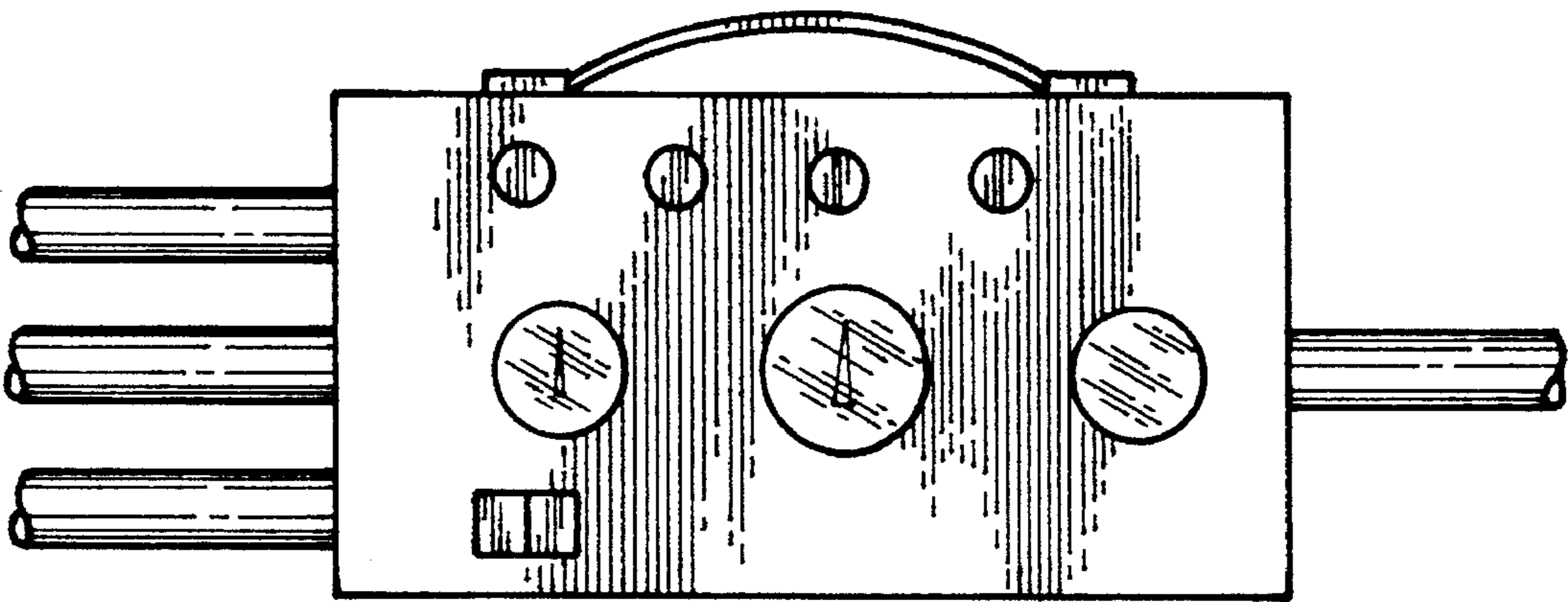


FIG. 2

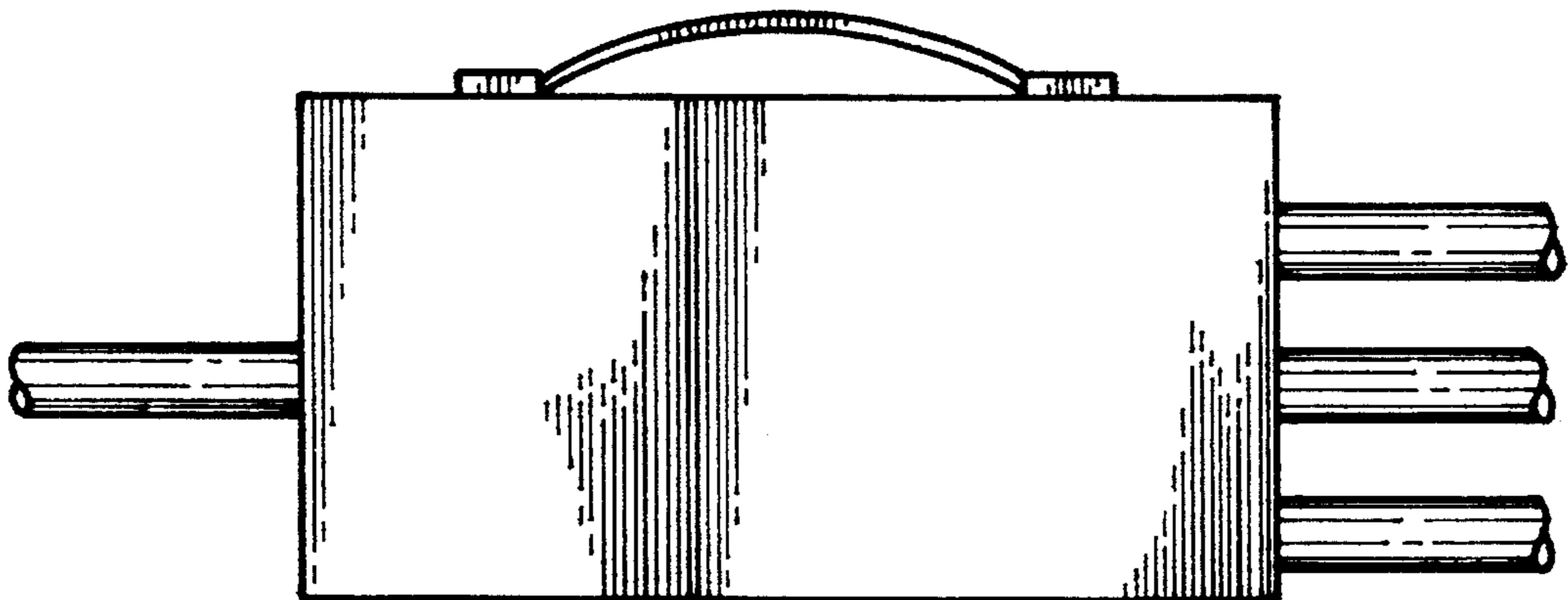


FIG. 3

FIG. 4

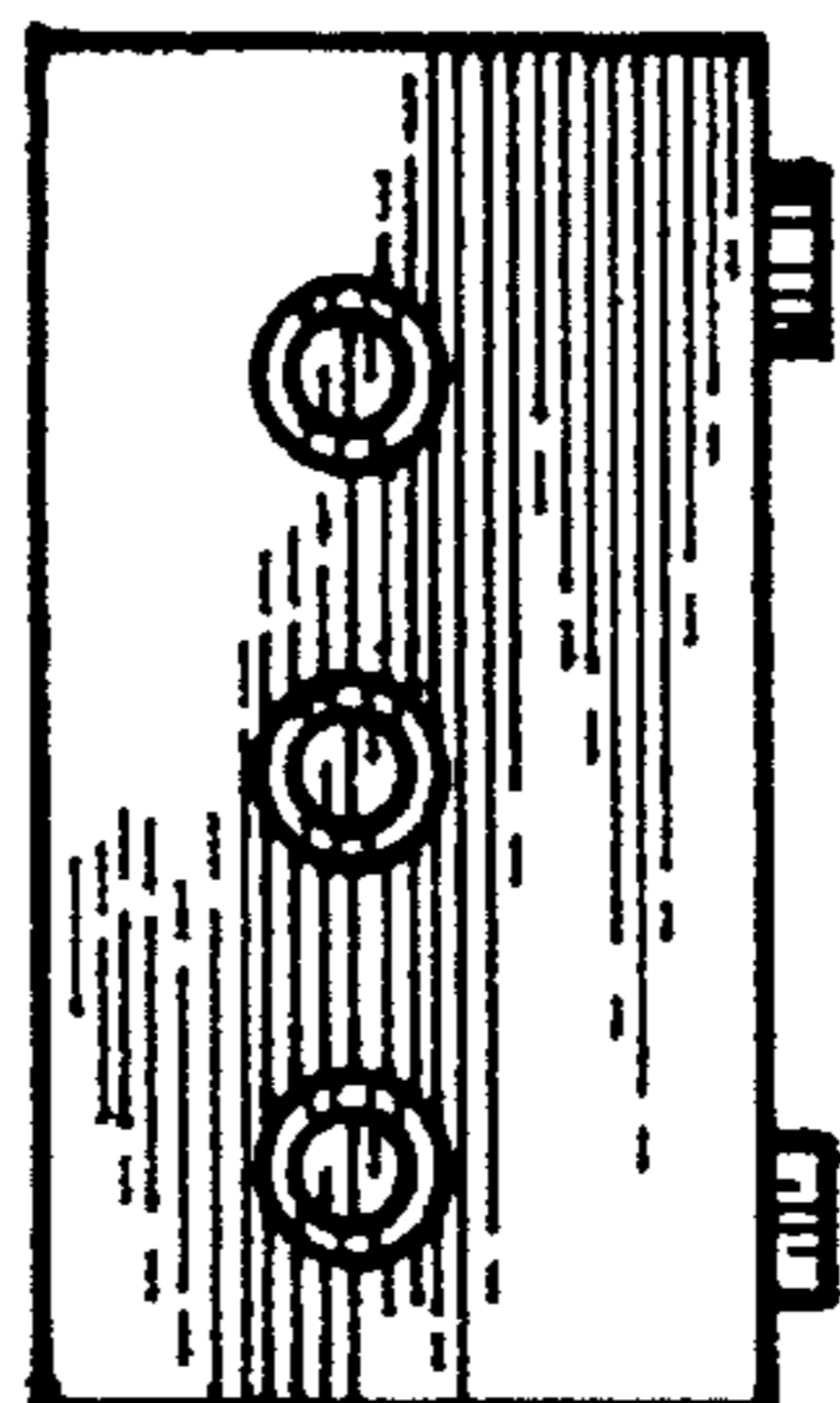


FIG. 5

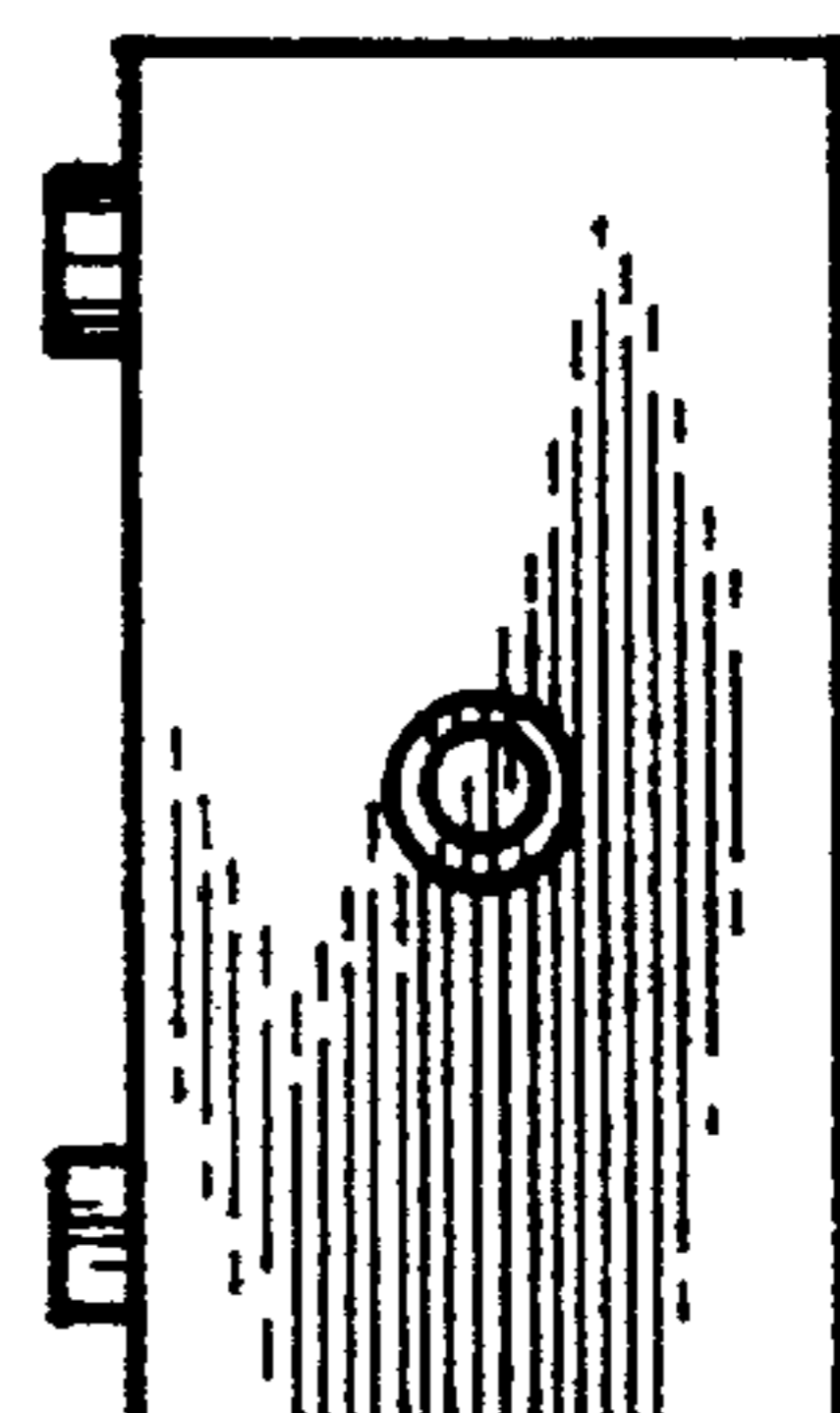


FIG. 6

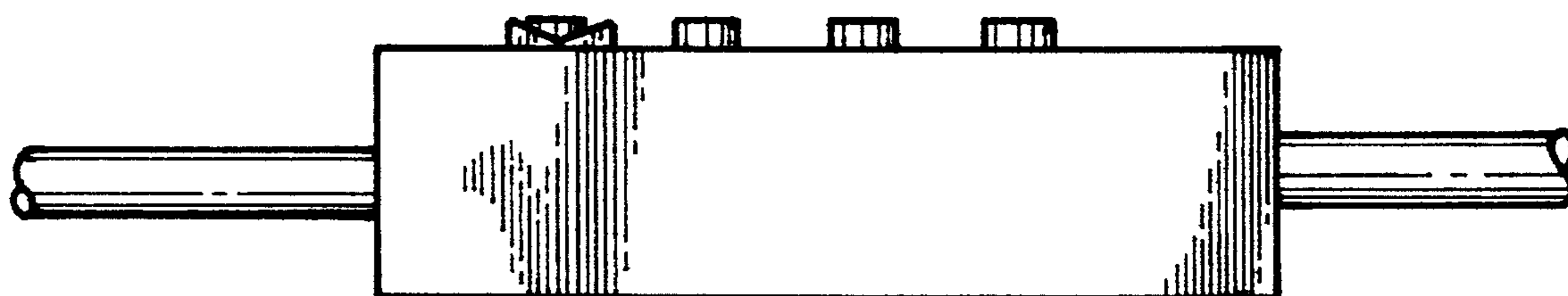
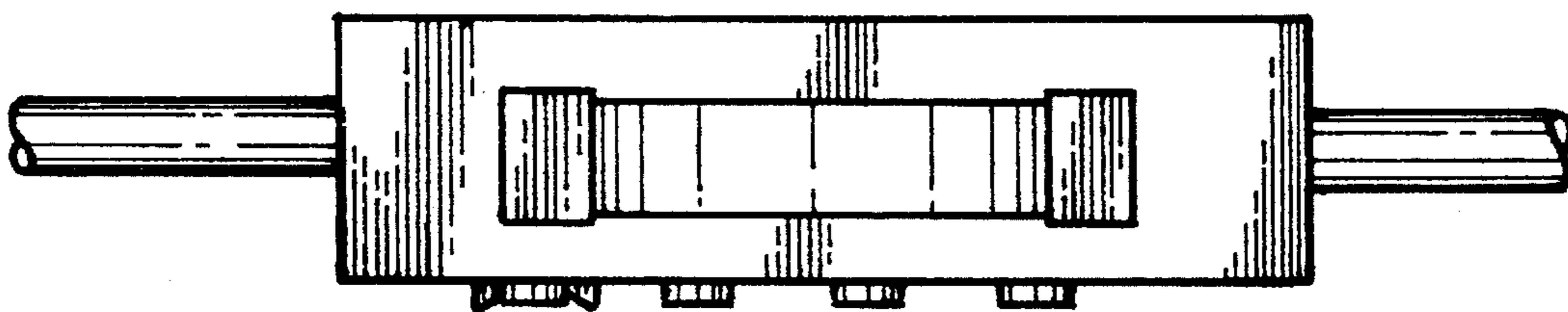


FIG. 7