



US00D371203S

# United States Patent [19]

[11] Patent Number: **Des. 371,203**

Deeds

[45] Date of Patent: **\*\*Jun. 25, 1996**

[54] **STERILIZATION CONTAINER**

4,818,502	4/1989	Taschner .....	422/300 X
4,915,913	4/1990	Williams et al. ....	422/300 X
5,227,074	7/1993	Nichols et al. ....	422/292 X
5,266,275	11/1993	Faddis .....	422/292 X

[76] Inventor: **Charles D. Deeds**, 212 E. Park St.,  
Auburndale, Fla. 33823

[\*\*] Term: **14 Years**

*Primary Examiner*—Louis S. Zarfaz  
*Assistant Examiner*—I. Simmons  
*Attorney, Agent, or Firm*—George A. Bode

[21] Appl. No.: **19,951**

[57] **CLAIM**

[22] Filed: **Mar. 14, 1994**

The ornamental design for a sterilization container, as shown and described.

[52] U.S. Cl. .... **D24/217**

[58] Field of Search ..... D24/217; 422/292,  
422/300, 297, 298, 299, 302, 303; 220/360,  
361; 206/439, 363, 365, 364, 366

### DESCRIPTION

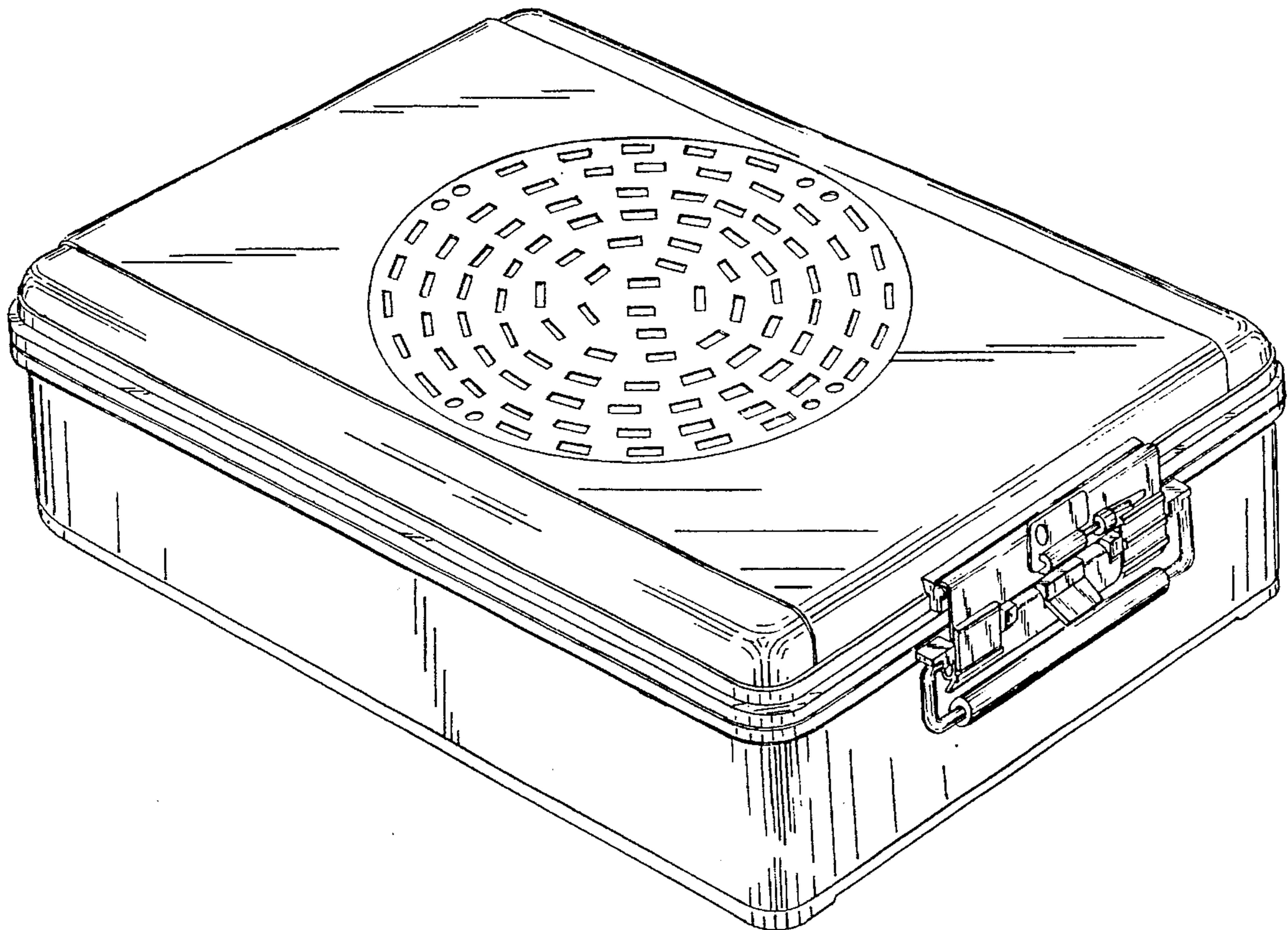
[56] **References Cited**

FIG. 1 is a top, front and left side perspective view of a sterilization container showing my new design;  
FIG. 2 is a top plan view thereof;  
FIG. 3 is a bottom plan view thereof;  
FIG. 4 is a front elevational view thereof, the rear elevational view being a mirror of that shown; and,  
FIG. 5 is a right side elevational view thereof, the side opposite being a mirror of that shown.

#### U.S. PATENT DOCUMENTS

3,292,993	12/1966	Musso .....	422/300
4,551,311	11/1985	Lorenz .....	D24/217
4,643,303	2/1987	Arp et al. ....	422/300 X
4,661,326	4/1987	Schainholz .....	422/300 X
4,671,943	6/1987	Wahlquist .....	D24/217 X
4,783,321	11/1988	Spence .....	422/300

**1 Claim, 2 Drawing Sheets**



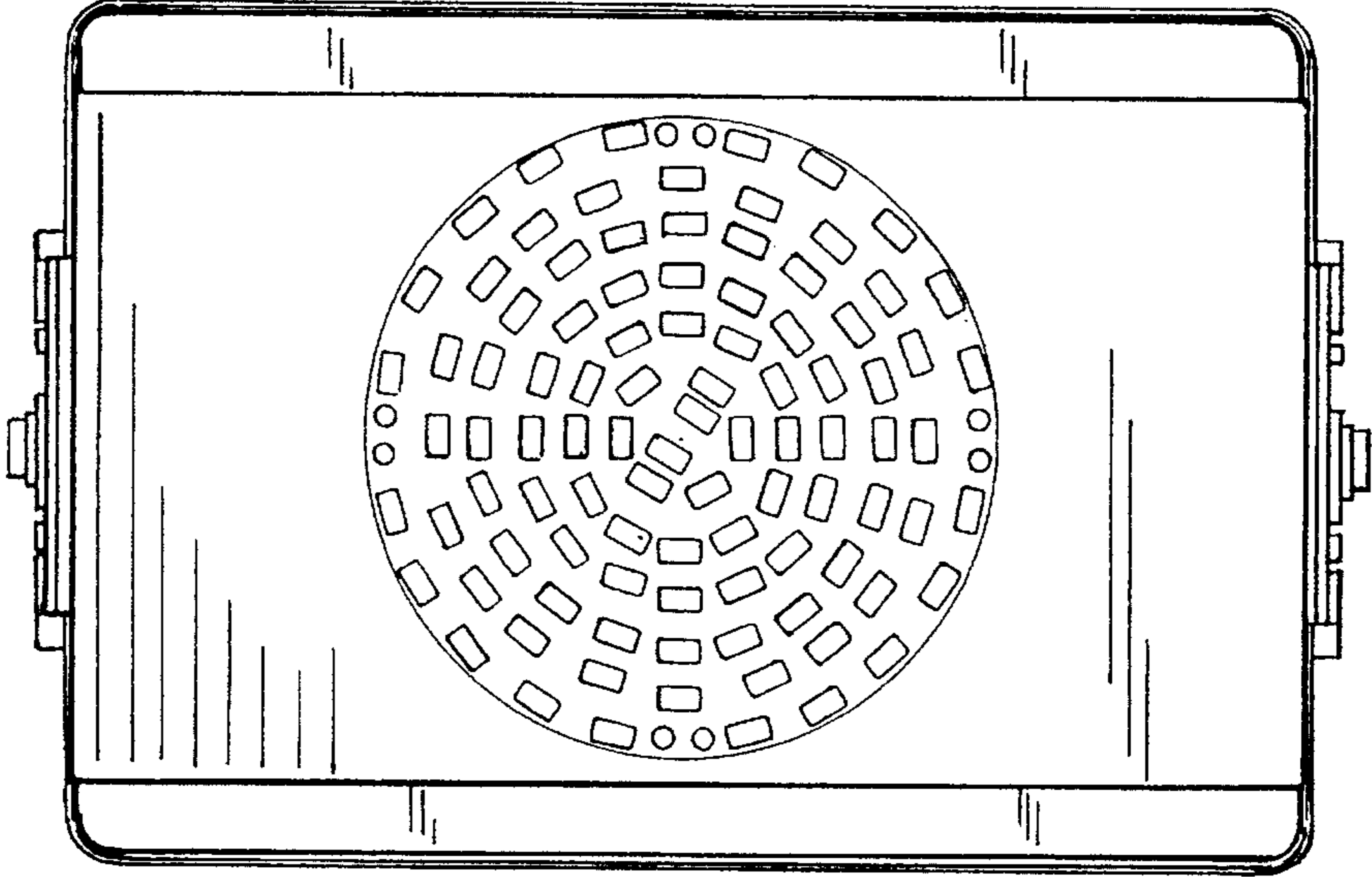


FIG. 2

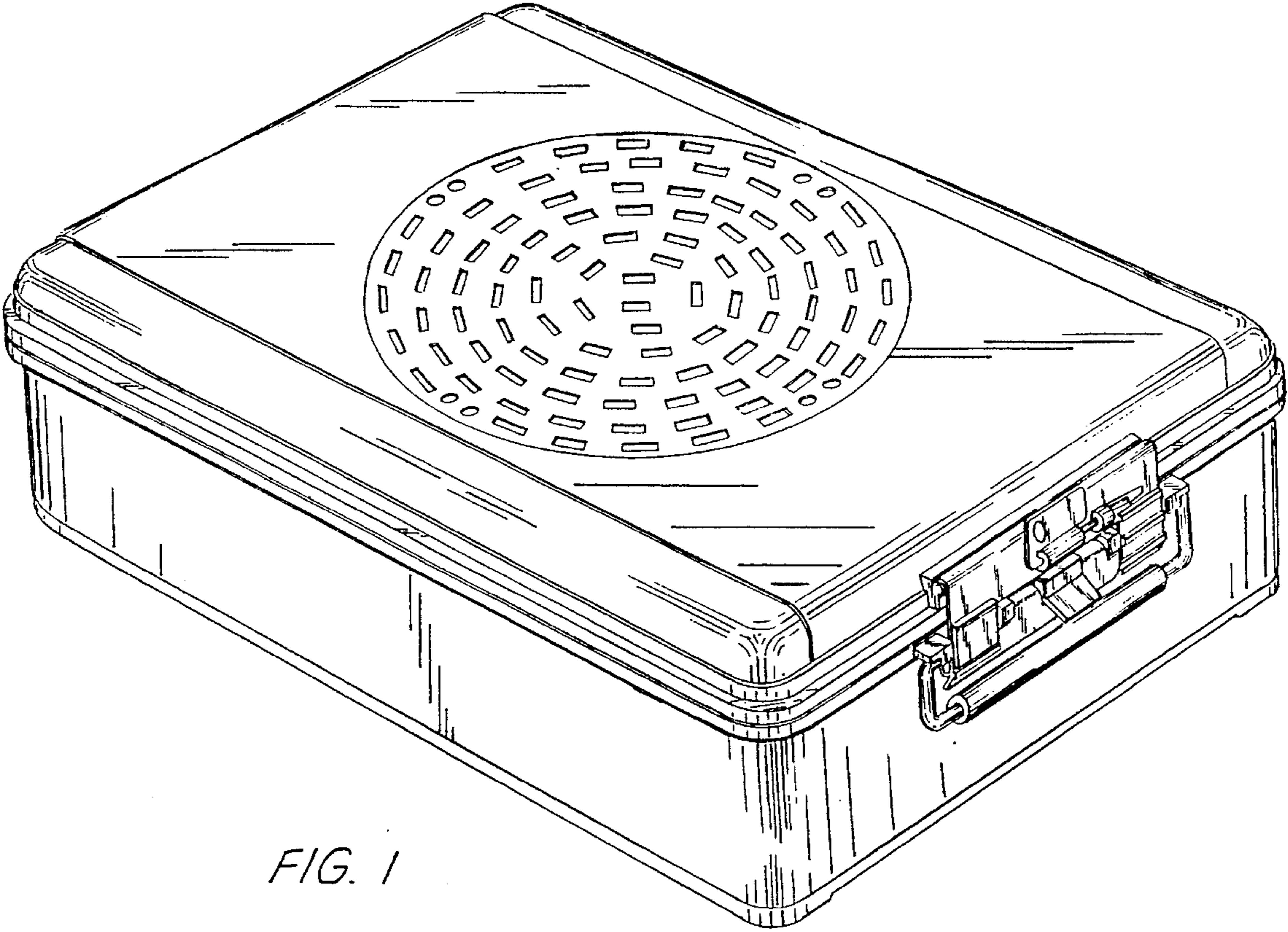


FIG. 1



FIG. 3

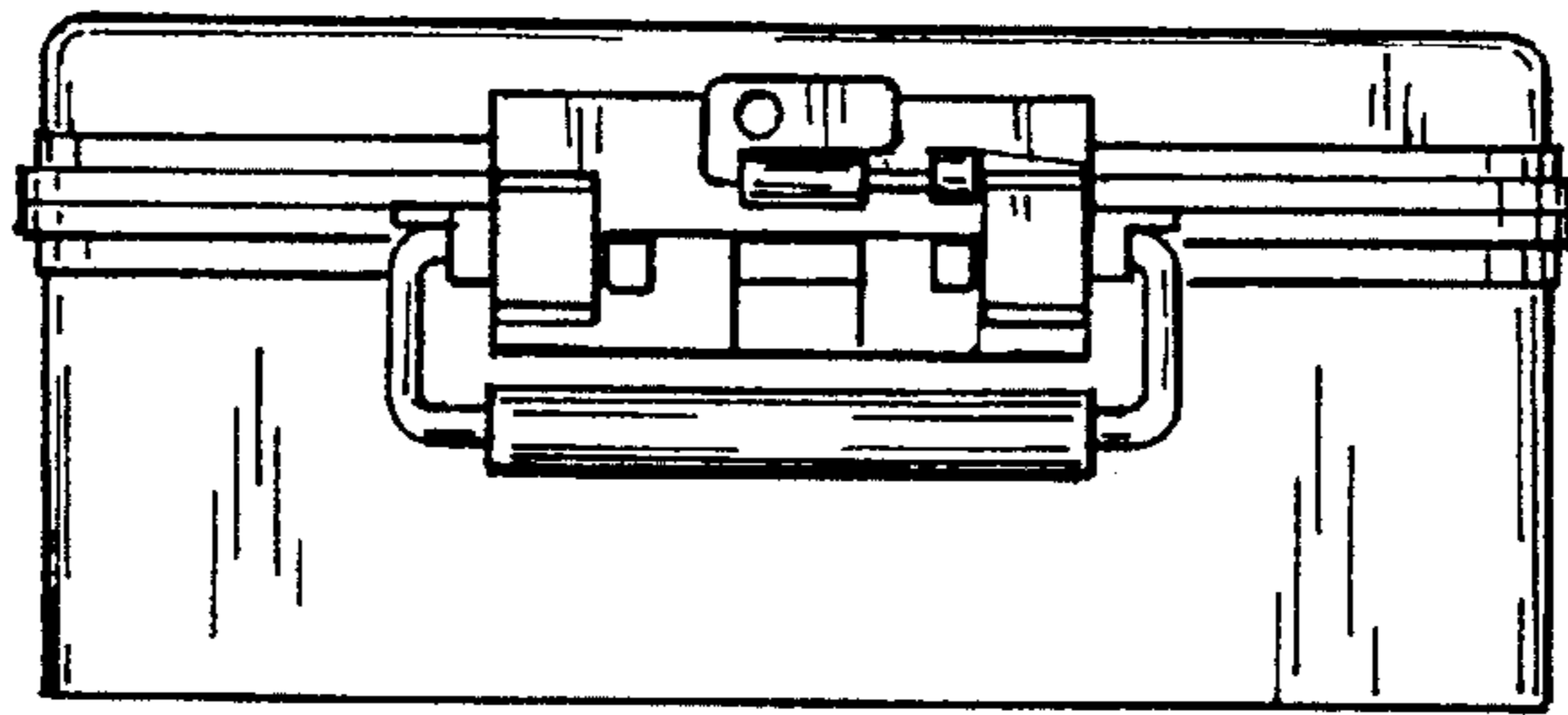


FIG. 4

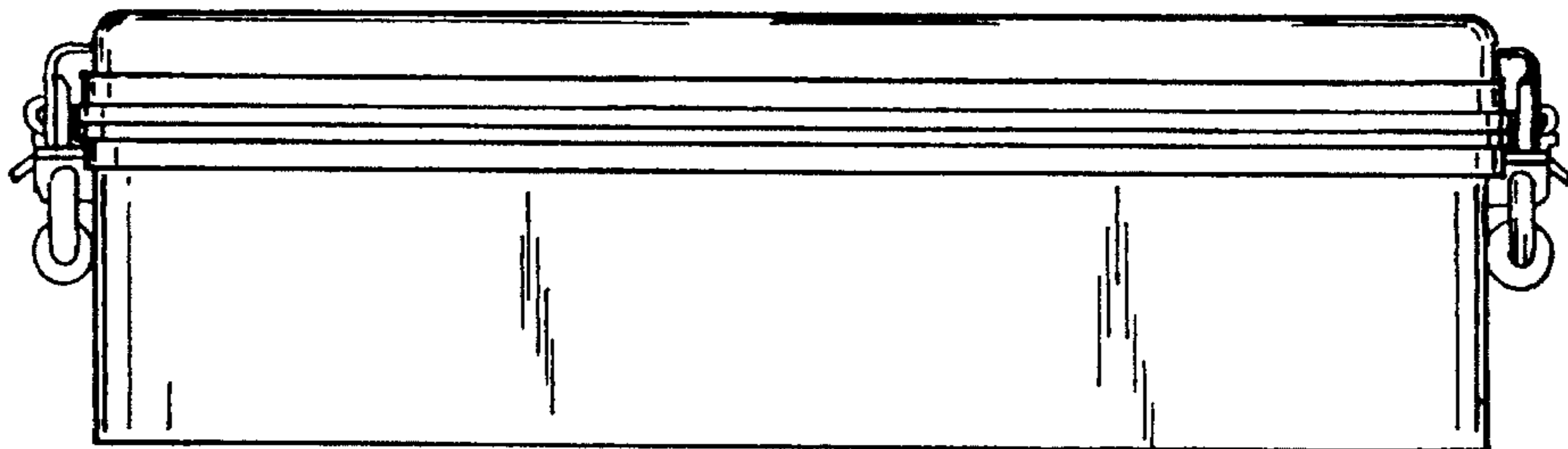


FIG. 5