



US00D371199S

United States Patent [19]

[11] Patent Number: **Des. 371,199**

Mendoza

[45] Date of Patent: ***** Jun. 25, 1996**

- [54] **DENTAL PROPHYLAXIS CUP**
- [75] Inventor: **Jose L. Mendoza**, Rancho Cordova, Calif.
- [73] Assignee: **Denticator International de Mexico, S.A.de C.V.**, Tijuana, Mexico
- [*] Notice: The portion of the term of this patent subsequent to Apr. 2, 2010, has been disclaimed.
- [**] Term: **14 Years**
- [21] Appl. No.: **17,187**
- [22] Filed: **Jan. 6, 1994**
- [52] U.S. Cl. **D24/176**
- [58] Field of Search D24/176-182; 433/166, 133

4,259,071	3/1981	Warden et al.	433/166
4,266,933	5/1981	Warden et al.	433/82
4,365,956	12/1982	Bailey	433/115
4,693,871	9/1987	Geller	433/116
4,795,343	1/1989	Choisser	433/116
4,842,516	6/1989	Choisser	433/132
4,929,180	5/1990	Moreschini	433/166
4,941,828	7/1990	Kimura	433/114
5,020,994	6/1991	Huang	433/126
5,028,233	7/1991	Witherby	433/125
5,040,978	8/1991	Falcon et al.	433/125
5,083,922	1/1992	Yale	433/166
5,094,615	3/1992	Bailey	433/88
5,120,220	6/1992	Butler	433/125
5,156,547	10/1992	Bailey	433/125
5,334,020	8/1994	Eckert	433/166

FOREIGN PATENT DOCUMENTS

646193	6/1937	Germany	
102433	5/1951	New Zealand	433/132
2209284	5/1989	United Kingdom	A61C 1/05

[56] References Cited

U.S. PATENT DOCUMENTS

Re. 24,391	11/1957	McFadden	51/170
263,814	9/1882	Schmitz	
1,999,488	4/1935	Swisher et al.	32/27
2,017,881	10/1935	Wiseman	433/166
2,025,779	12/1935	Roelke	32/11
2,135,933	11/1938	Blair	128/48
2,226,145	12/1940	Smith	433/166
2,300,828	11/1942	Goldenberg	433/166
2,315,016	3/1943	Shotton	32/26
2,328,270	8/1943	Greenberg	74/56
2,789,352	4/1957	Wiseman	433/166
2,937,444	5/1960	Kern	32/27
3,163,934	1/1965	Wiseman	433/133
3,192,922	7/1965	Winkler	128/62
3,229,369	1/1966	Hoffmeister et al.	433/133
3,421,224	1/1969	Brehm et al.	32/27
3,727,313	4/1973	Graham	32/27
3,740,853	6/1973	Brahler	32/59
3,855,704	12/1974	Booth	32/28
3,877,574	4/1975	Killick	206/368
3,955,284	5/1976	Balson	32/27
3,987,550	10/1976	Danne et al.	32/59
4,053,983	10/1977	Flatland	32/27
4,182,041	1/1980	Girard	433/115
4,248,589	2/1981	Lewis	433/80

OTHER PUBLICATIONS

Denticator; Product Brochure; 1990; entire brochure.
 Oralsafe; Advertisement for oralsafe disposable handpiece; Dentistry Today Trade Journal; Aug., 1992; entire advertisement.

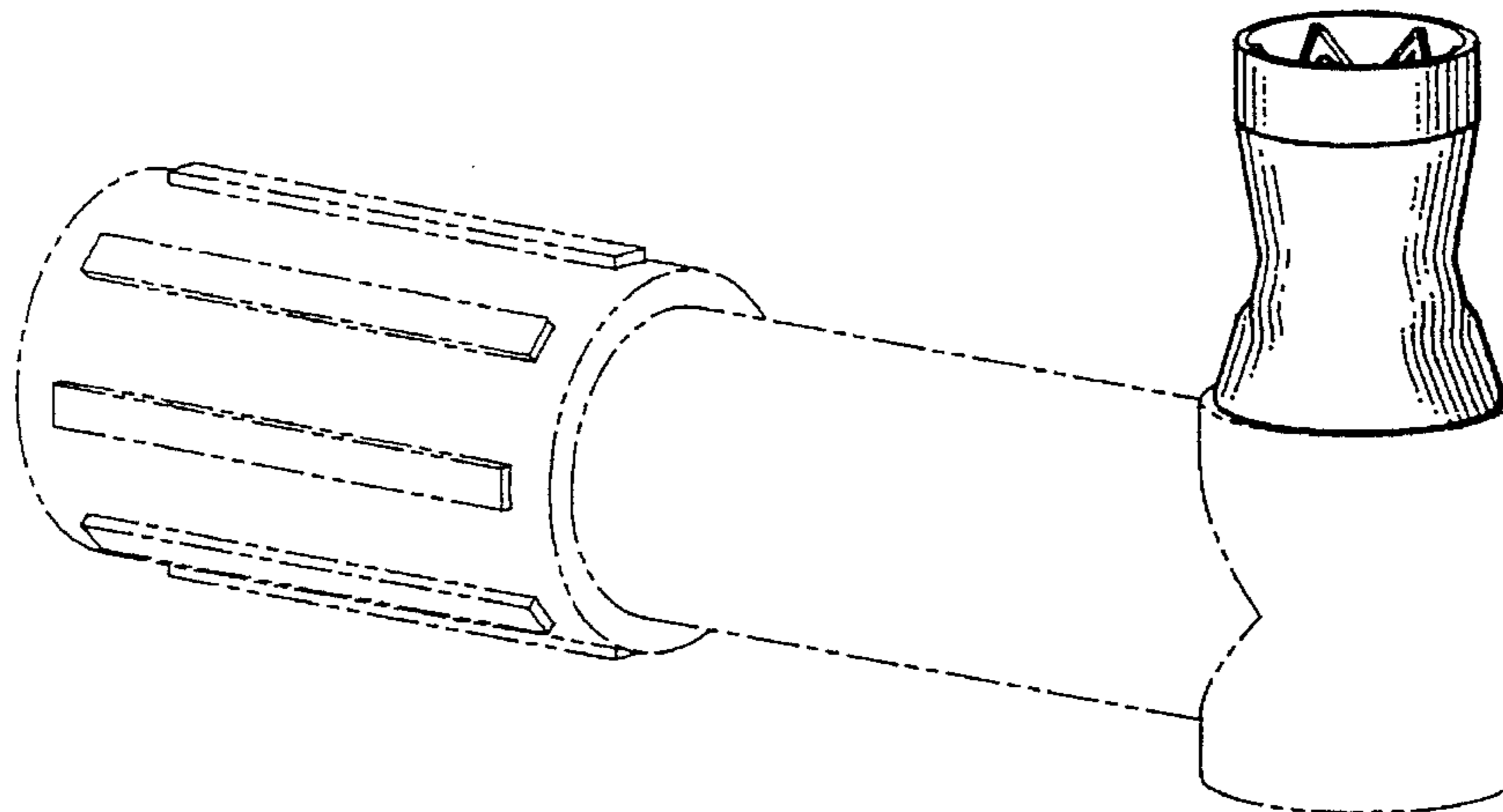
Primary Examiner—Kay H. Chin
Attorney, Agent, or Firm—Bernhard Kreten

[57] CLAIM

The ornamental design for a dental prophylaxis cup, as shown and described.

DESCRIPTION

FIG. 1 is a perspective view of a dental prophylaxis cup showing my new design;
 FIG. 2 is a side view thereof, the opposite side being a mirror image thereof;
 FIG. 3 is a top perspective view thereof;
 FIG. 4 is a perspective sectional view taken along lines 4—4 of FIG. 3;
 FIG. 5 is bottom view thereof; and,
 FIG. 6 is a side perspective thereof.



The broken-line showing of environmental structure in FIG. 6 is for illustrative purposes only and forms no part of the claimed design.

1 Claim, 1 Drawing Sheet

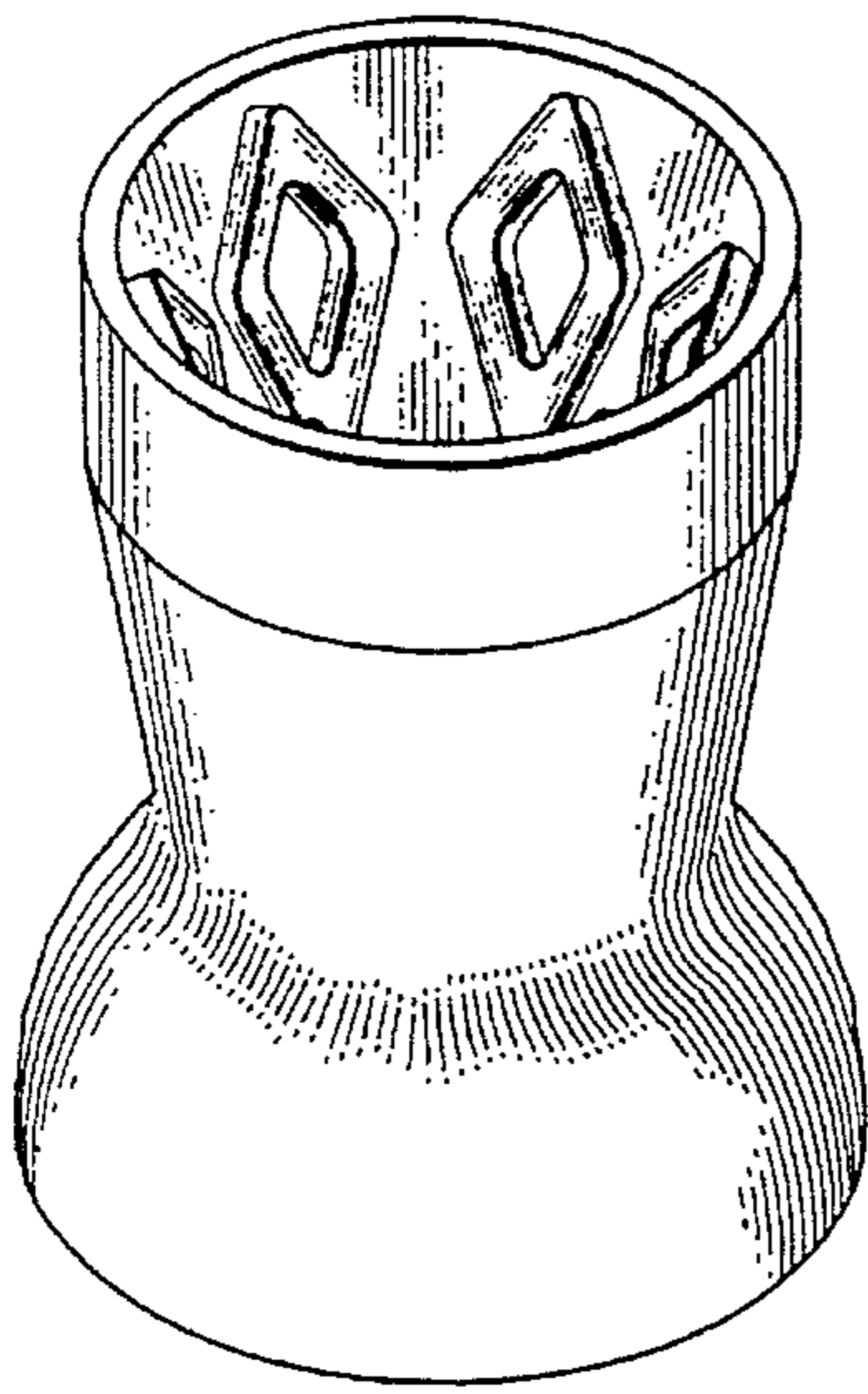


Fig. 1

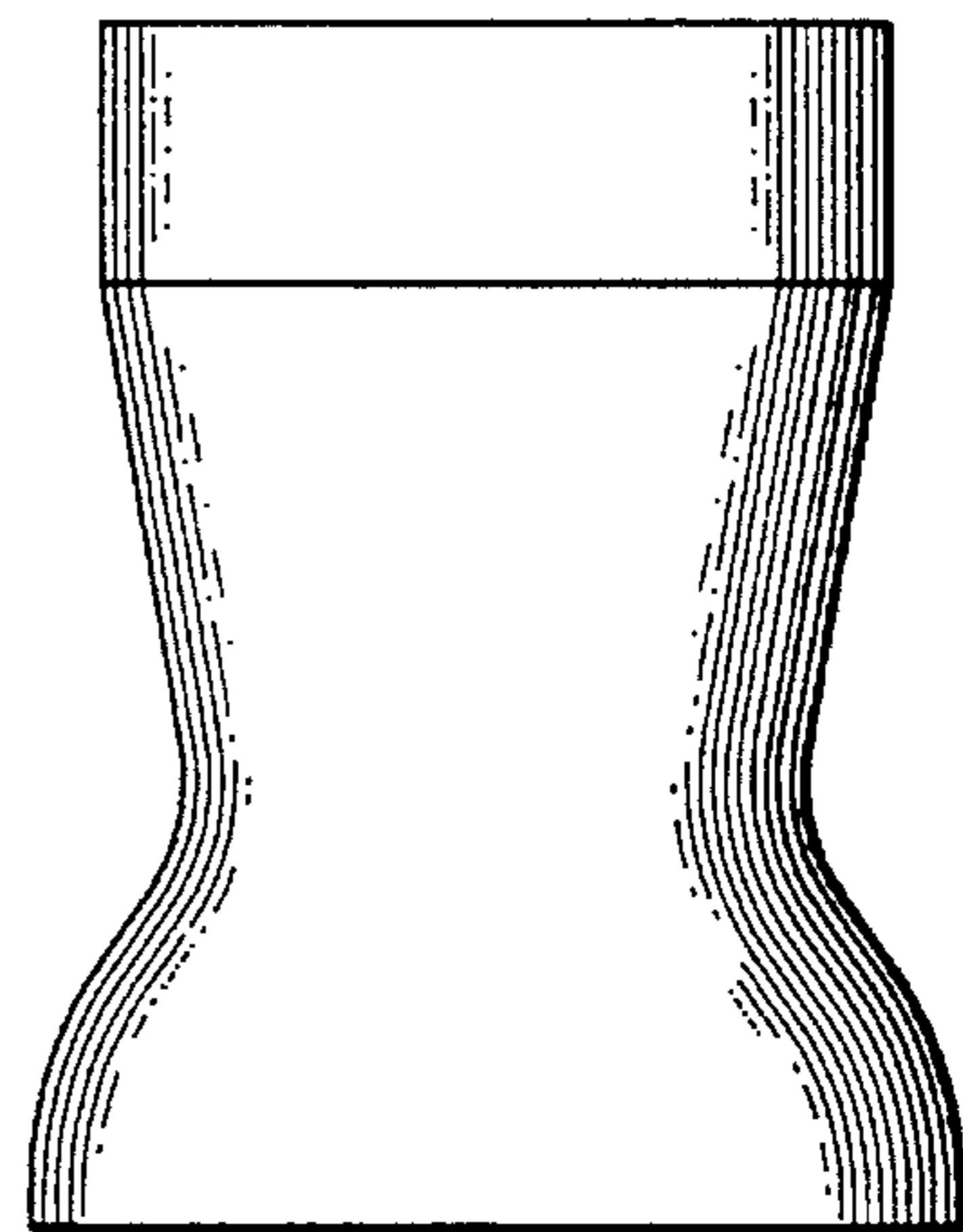


Fig. 2

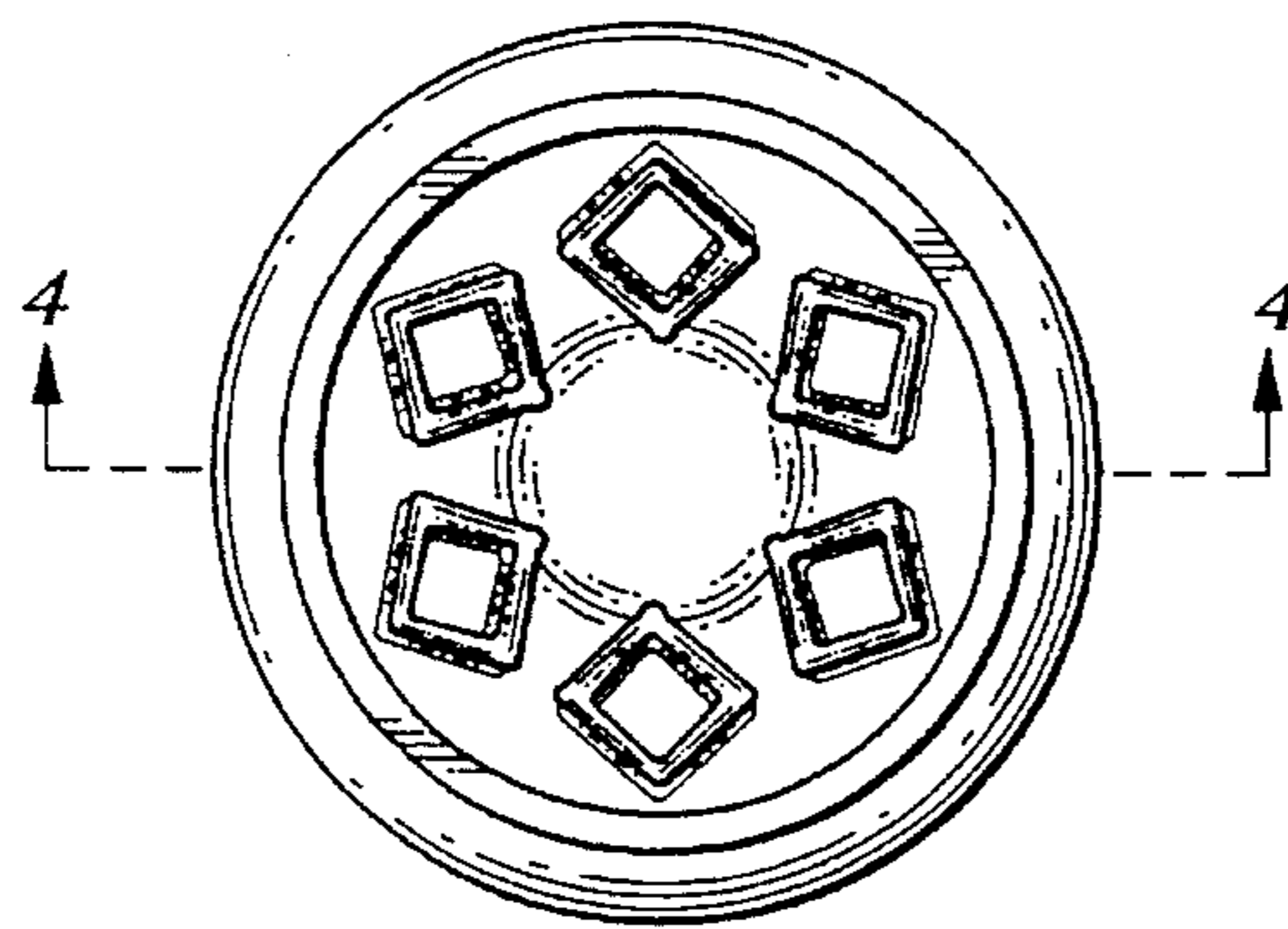


Fig. 3

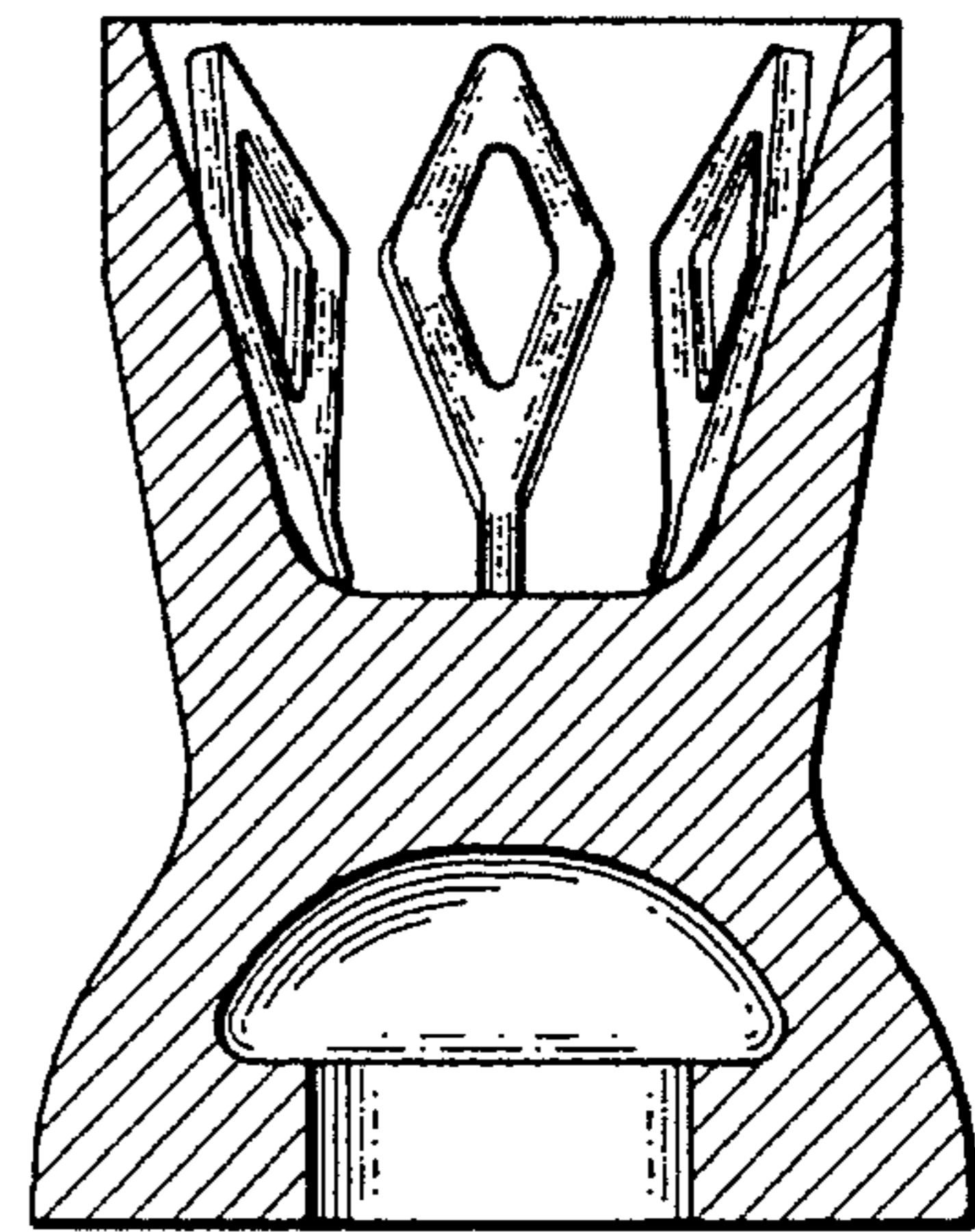


Fig. 4

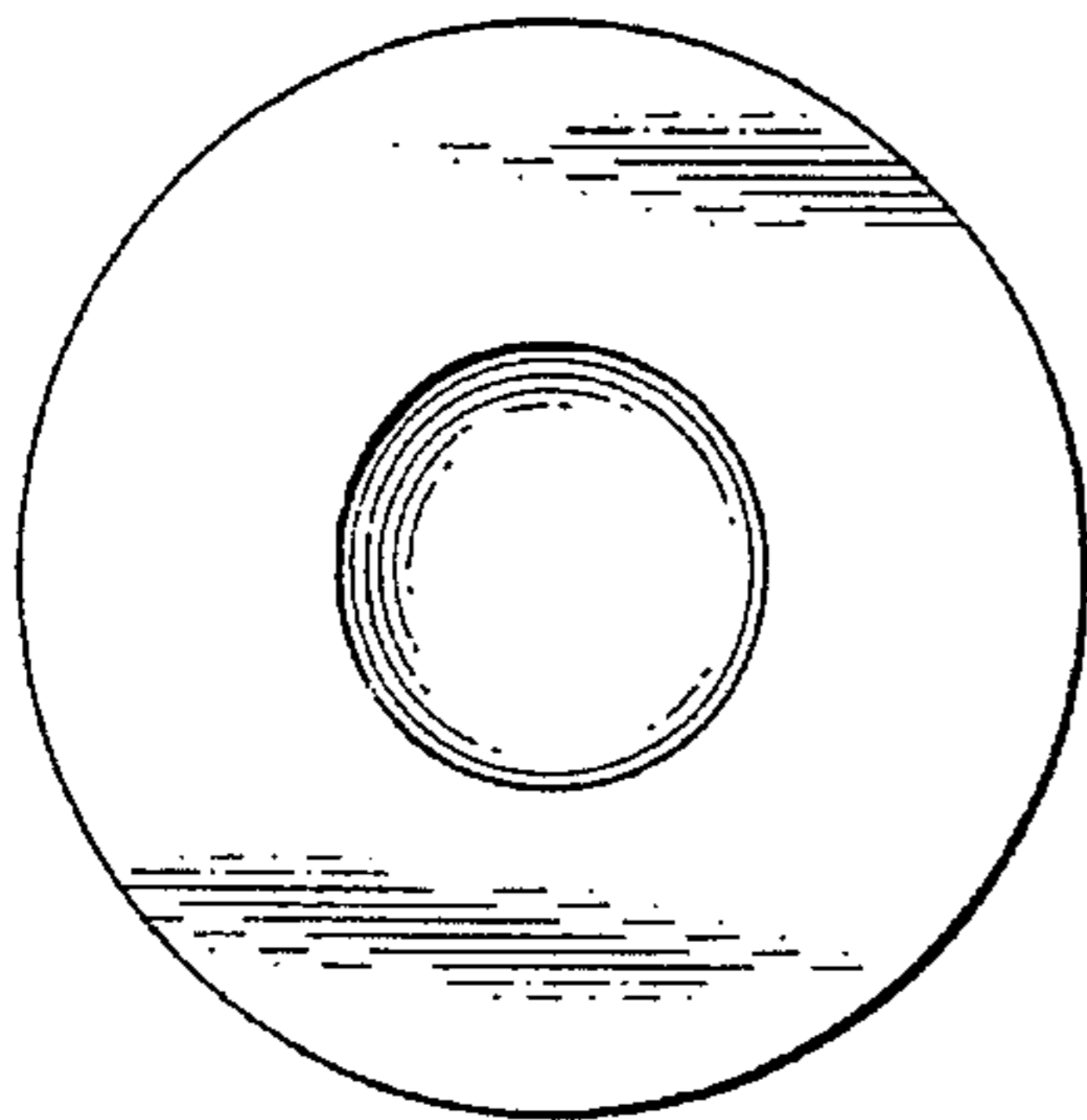


Fig. 5

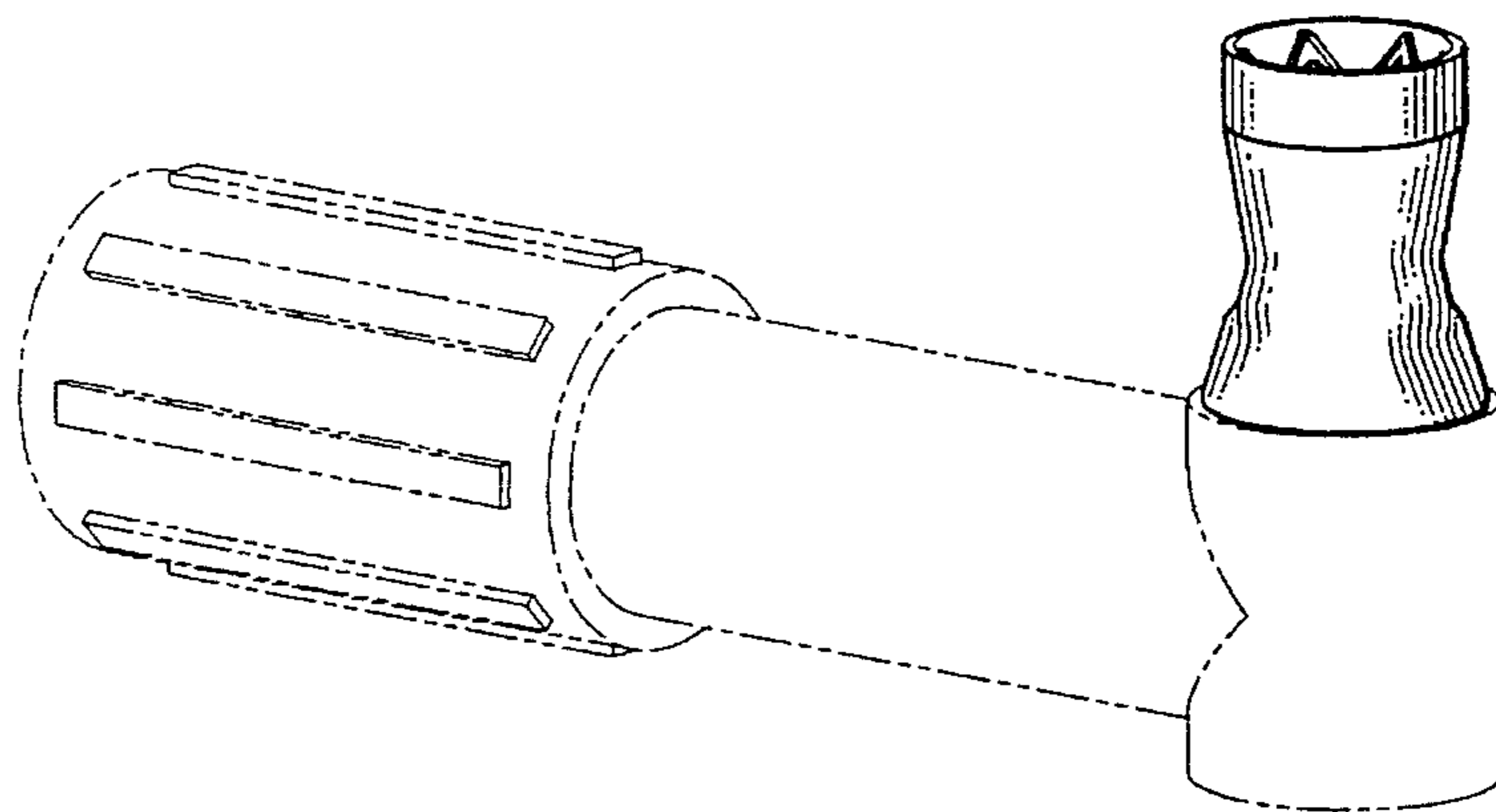


Fig. 6