



US00D371198S

# United States Patent [19]

Savage et al.

[11] Patent Number: **Des. 371,198**

[45] Date of Patent: **\*\*Jun. 25, 1996**

[54] **BLOOD GLUCOSE METER**

5,424,035 6/1995 Hönes et al. .... 422/56

[75] Inventors: **Donna L. Savage**, Campbell; **Paul Montgomery**, San Francisco; **Frank M. Chapman**, Sunnyvale, all of Calif.

### OTHER PUBLICATIONS

Accu-Chek® Advantage\*—Boehringer Mannheim ©1994.  
Accu-Chek® Easy\*—Boehringer Mannheim ©1993.

[73] Assignee: **LifeScan, Inc.**, Milpitas, Calif.

*Primary Examiner*—Louis S. Zarfes  
*Assistant Examiner*—I. Simmons  
*Attorney, Agent, or Firm*—James Riesenfeld

[\*\*] Term: **14 Years**

[21] Appl. No.: **37,330**

### [57] CLAIM

[22] Filed: **Apr. 10, 1995**

The ornamental design for a blood glucose meter, as shown and described.

[52] U.S. Cl. .... **D24/169**; D24/186; D24/232

[58] **Field of Search** ..... D24/231, 232,  
D24/164, 169, 186, 216, 111, 108; 422/68.1,  
102, 56, 58, 61; 128/770, 771, 635, 763,  
765

### DESCRIPTION

FIG. 1 is a perspective view, as seen from the top, front and left side of the blood glucose meter, showing our new design;

### [56] References Cited

#### U.S. PATENT DOCUMENTS

D. 318,331	7/1991	Phillips et al. ....	D24/186 X
D. 323,893	2/1992	Arioka .....	D24/186 X
D. 334,085	3/1993	Cullister .....	D24/147 X
D. 361,129	8/1995	Cullins et al. ....	D24/186 X
5,397,537	3/1995	Kanda et al. ....	422/56

FIG. 2 is a right side elevational view thereof;  
FIG. 3 is a left side elevational view thereof;  
FIG. 4 is a top plan view thereof;  
FIG. 5 is a front elevational view thereof;  
FIG. 6 is a rear elevational view thereof; and,  
FIG. 7 is a bottom plan view thereof.

**1 Claim, 3 Drawing Sheets**

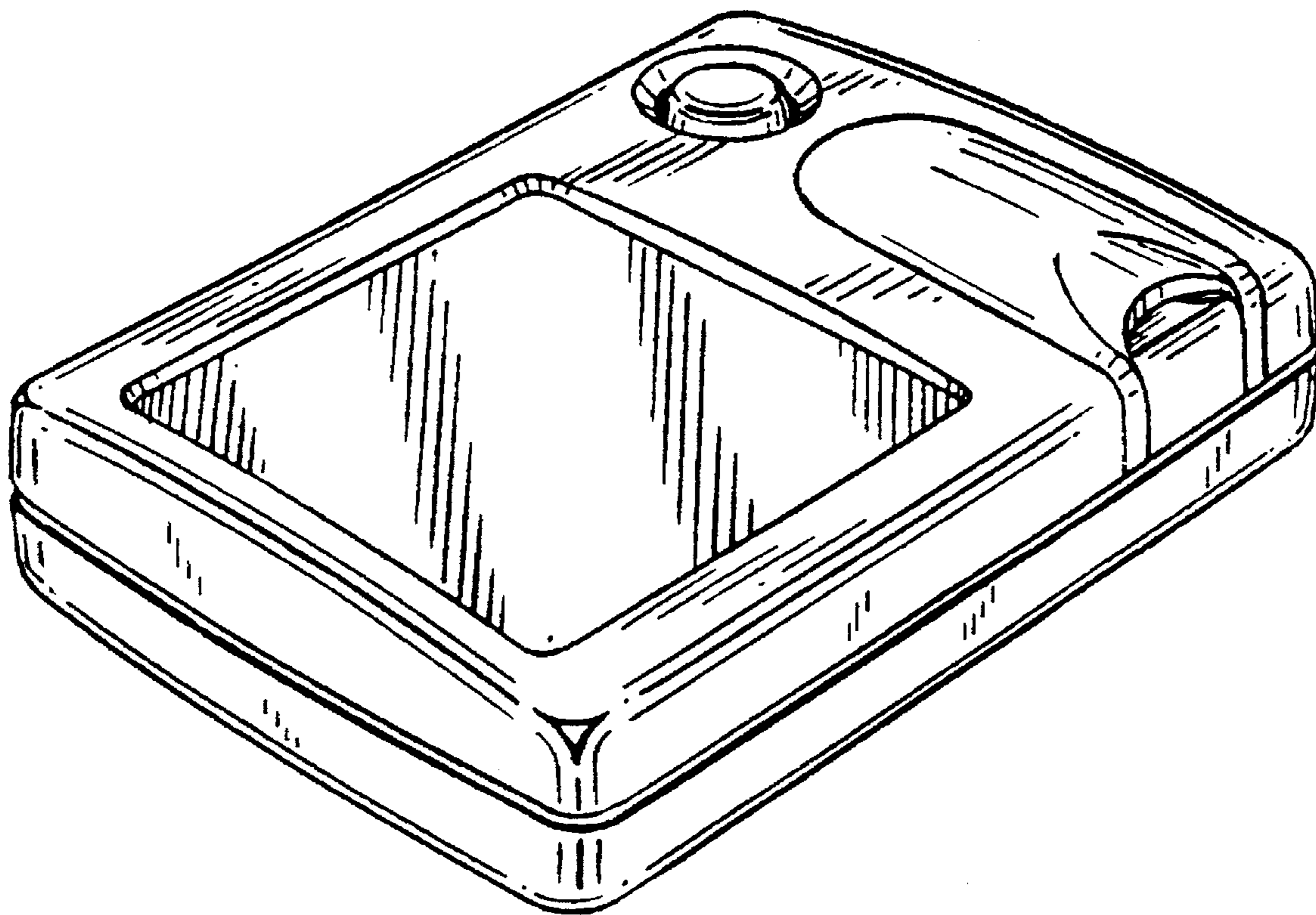


FIG. 1

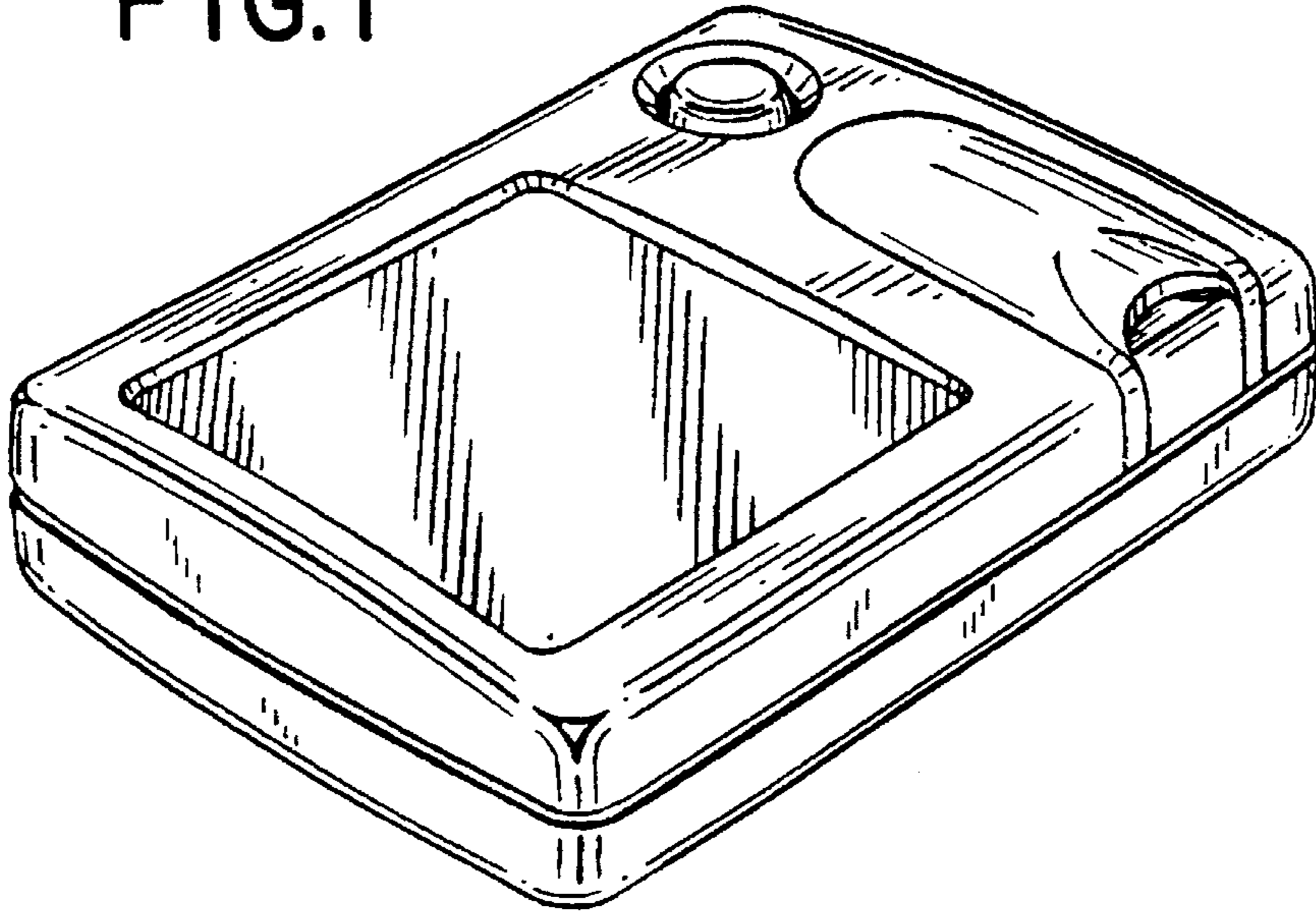


FIG. 2

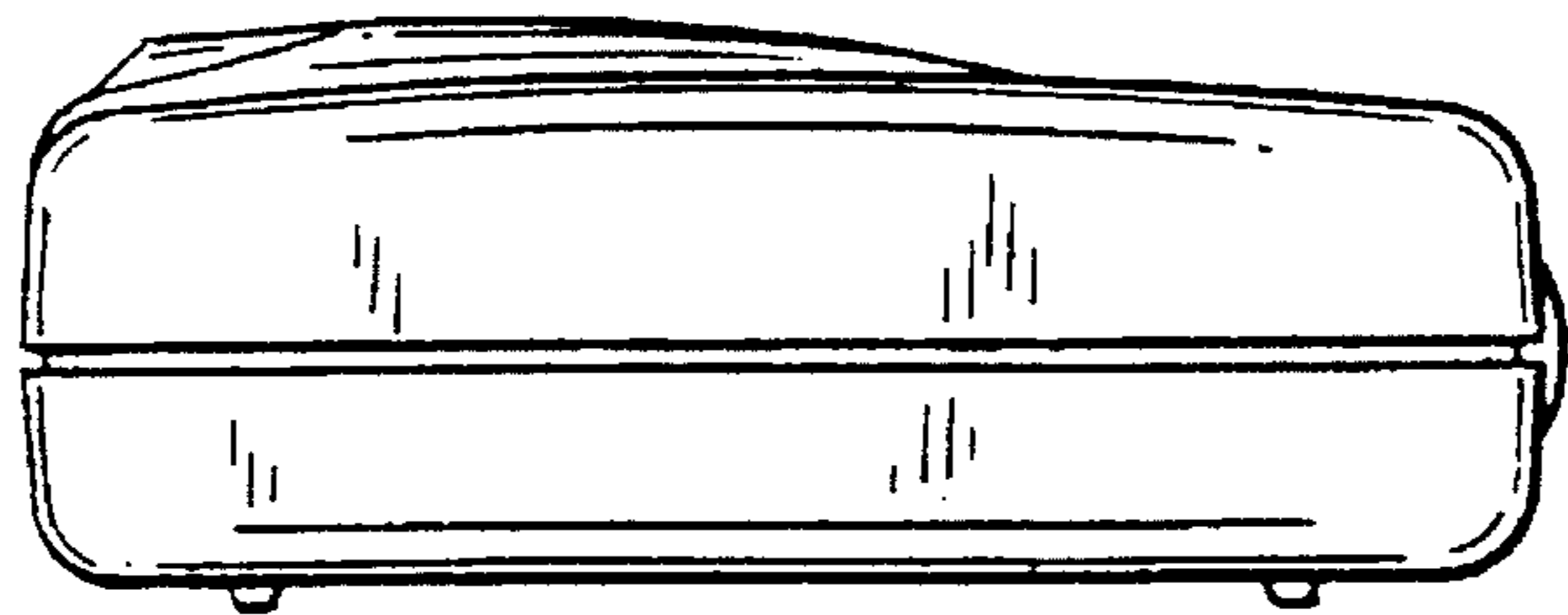


FIG. 3

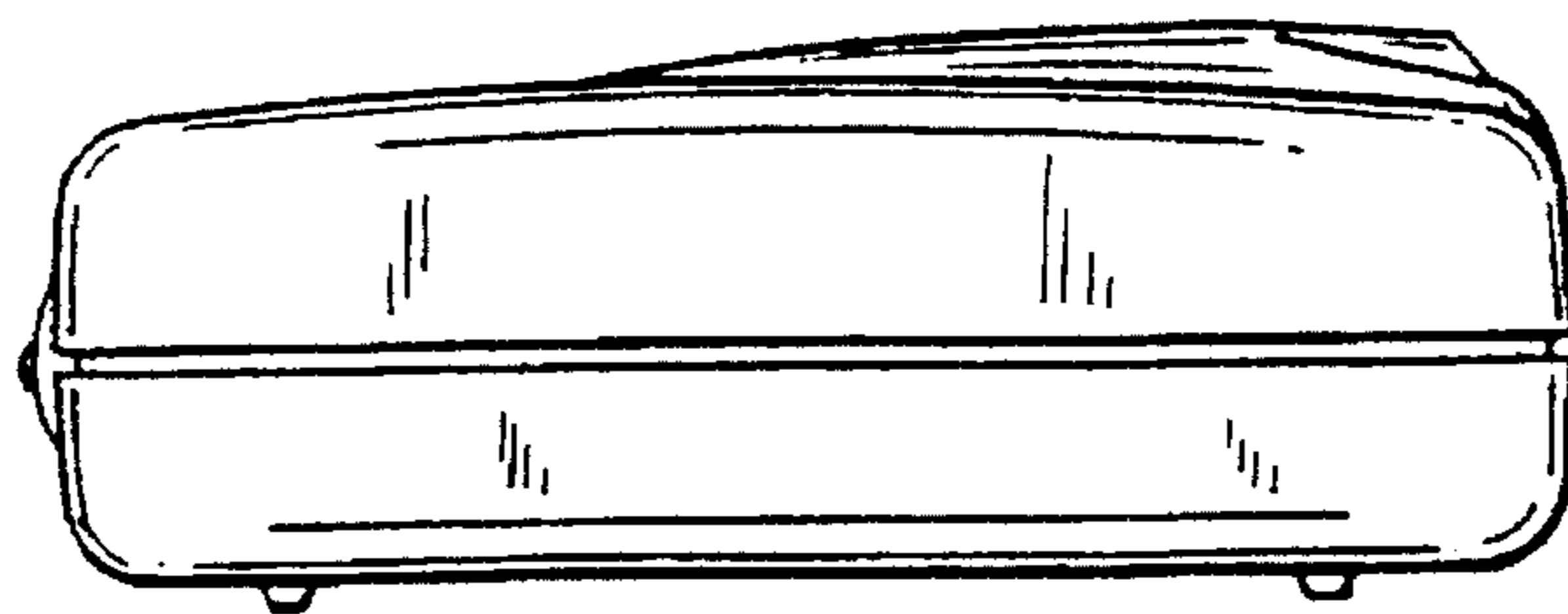


FIG. 4

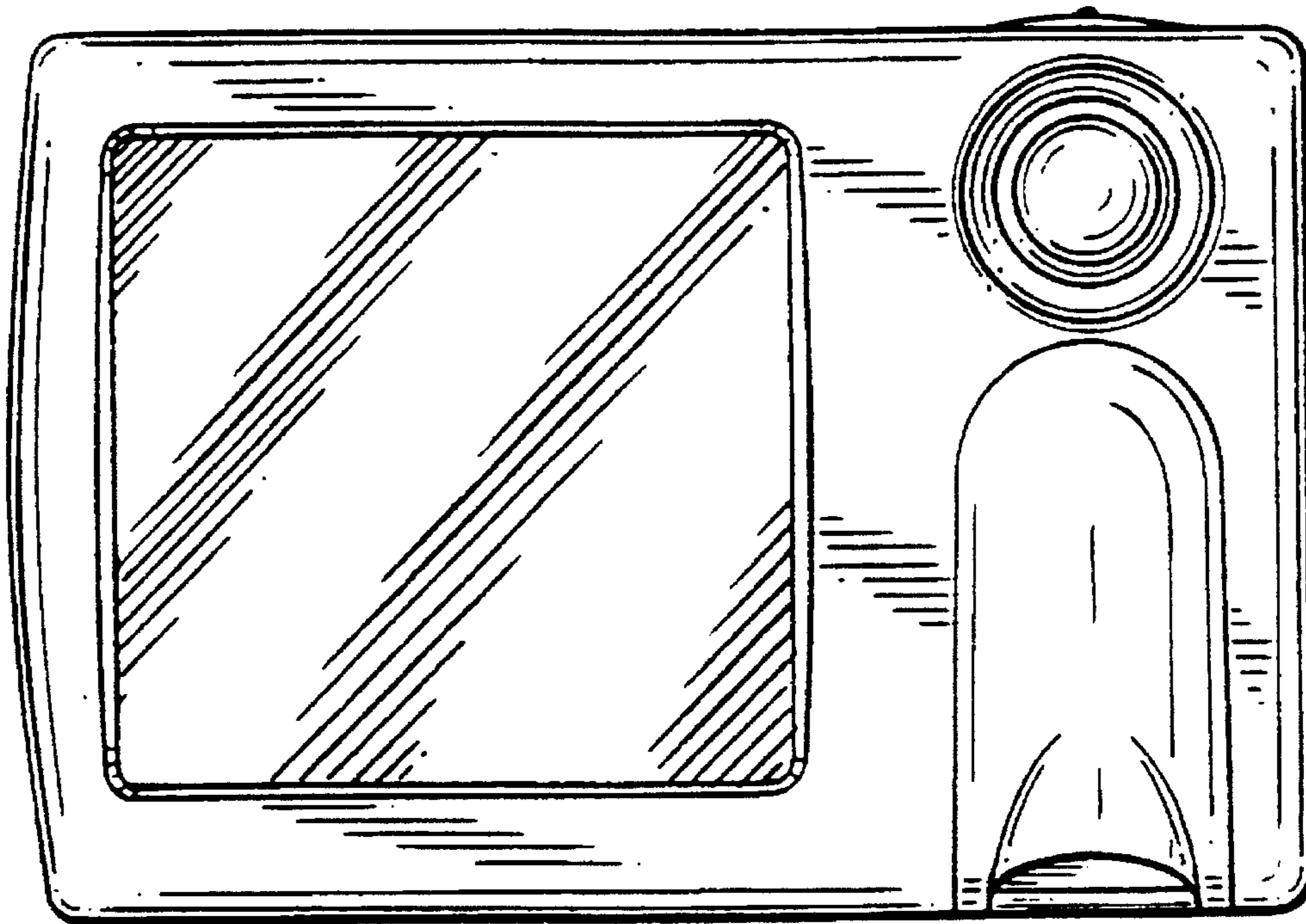


FIG. 5

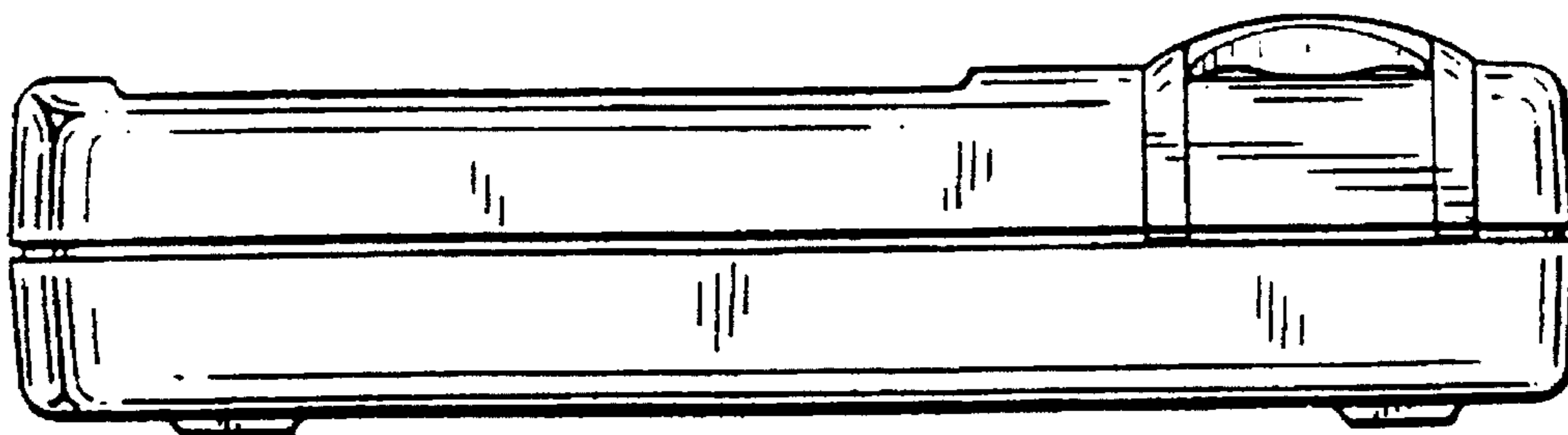


FIG. 6

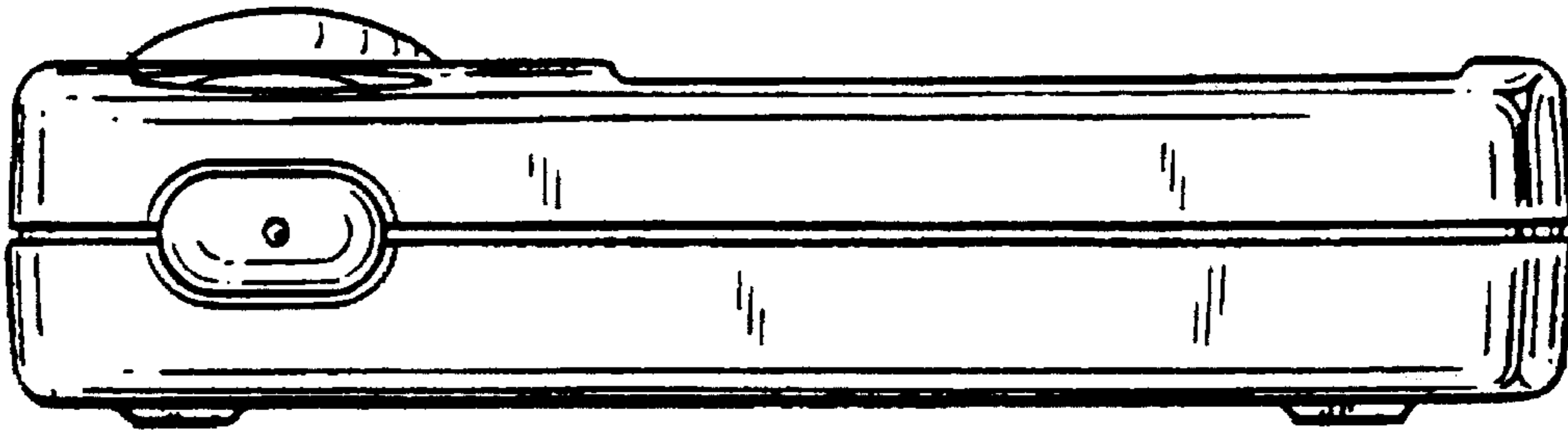
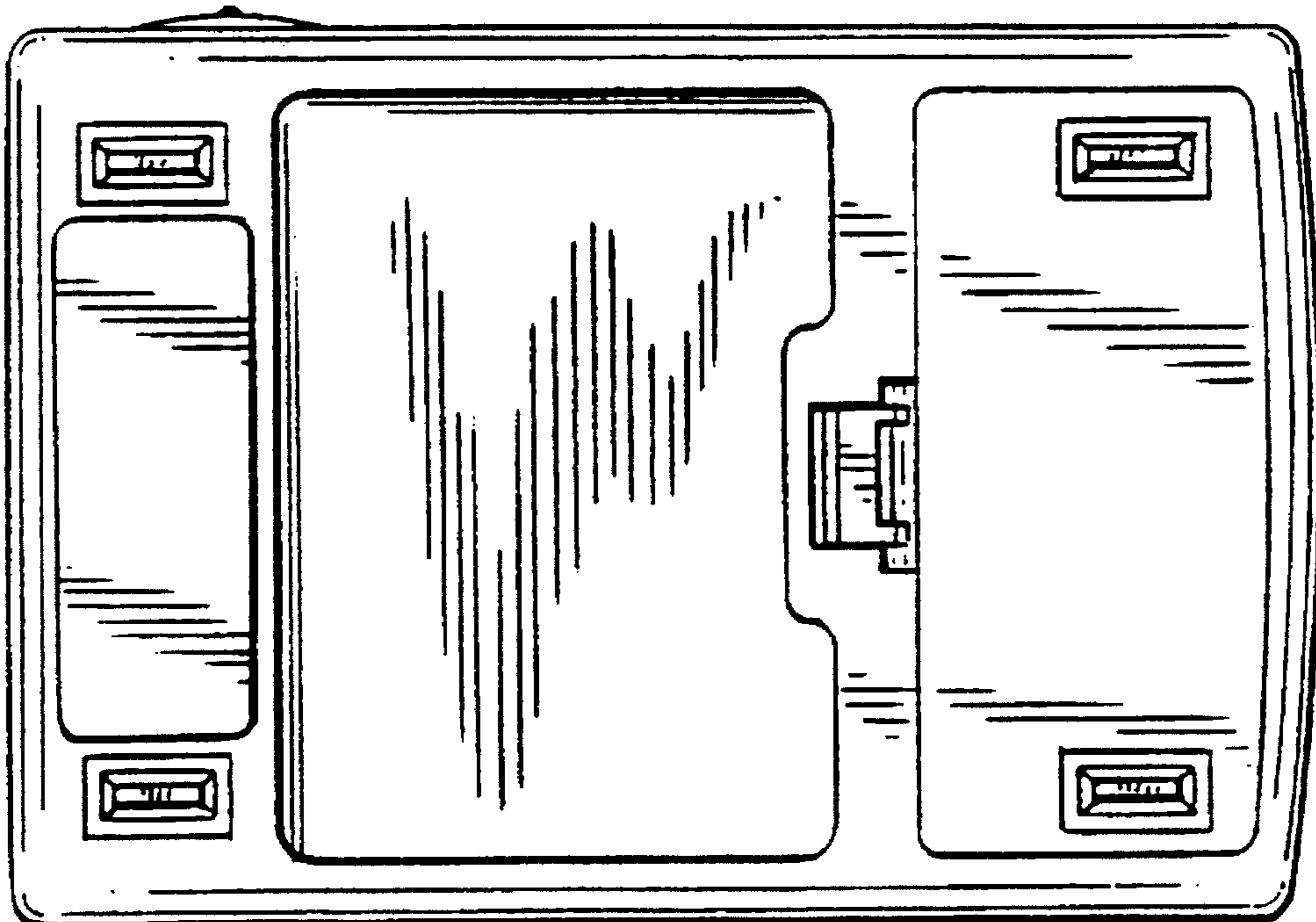


FIG. 7



UNITED STATES PATENT AND TRADEMARK OFFICE  
**CERTIFICATE OF CORRECTION**

PATENT NO. : DES. 371,198

DATED : June 25, 1996

INVENTOR(S) : Donna L. Savage, Paul Montgomery, and  
Frank M. Chapman

It is certified that error appears in the above-identified patent and that said Letters Patent is hereby corrected as shown below:

On the title page, item [57], in the claim, design is misspelled:

--- desgn -- should be -- design --

Signed and Sealed this  
Thirteenth Day of May, 1997



BRUCE LEHMAN

*Commissioner of Patents and Trademarks*

*Attest:*

*Attesting Officer*