



US00D371197S

United States Patent [19]

Golden et al.

[11] Patent Number: **Des. 371,197**

[45] Date of Patent: ****Jun. 25, 1996**

[54] X-RAY MACHINE

3,970,884	7/1976	Golden	313/55
4,646,338	2/1987	Skillicorn	378/110
4,694,480	9/1987	Skillicorn	378/119

[76] Inventors: **John Golden**, 2859 Sowers Rd., Greensfork, Ind. 47345; **Phillip Golden**, 196 S. Centerville Rd., Centerville, Ind. 47330

Primary Examiner—Stella Reid
Attorney, Agent, or Firm—Young & Basile

[**] Term: **14 Years**

[57] **CLAIM**

[21] Appl. No.: **25,511**

The ornamental design for an x-ray machine, as shown and described.

[22] Filed: **Jul. 5, 1994**

DESCRIPTION

[52] U.S. Cl. **D24/158**

[58] Field of Search D24/158; 378/102, 378/103, 104, 110, 112, 197, 202

FIG. 1 is a perspective view of an x-ray machine showing our new design;

FIG. 2 is a rear perspective view thereof;

FIG. 3 is a side view thereof;

FIG. 4 is a front view thereof;

FIG. 5 is a rear view thereof; and,

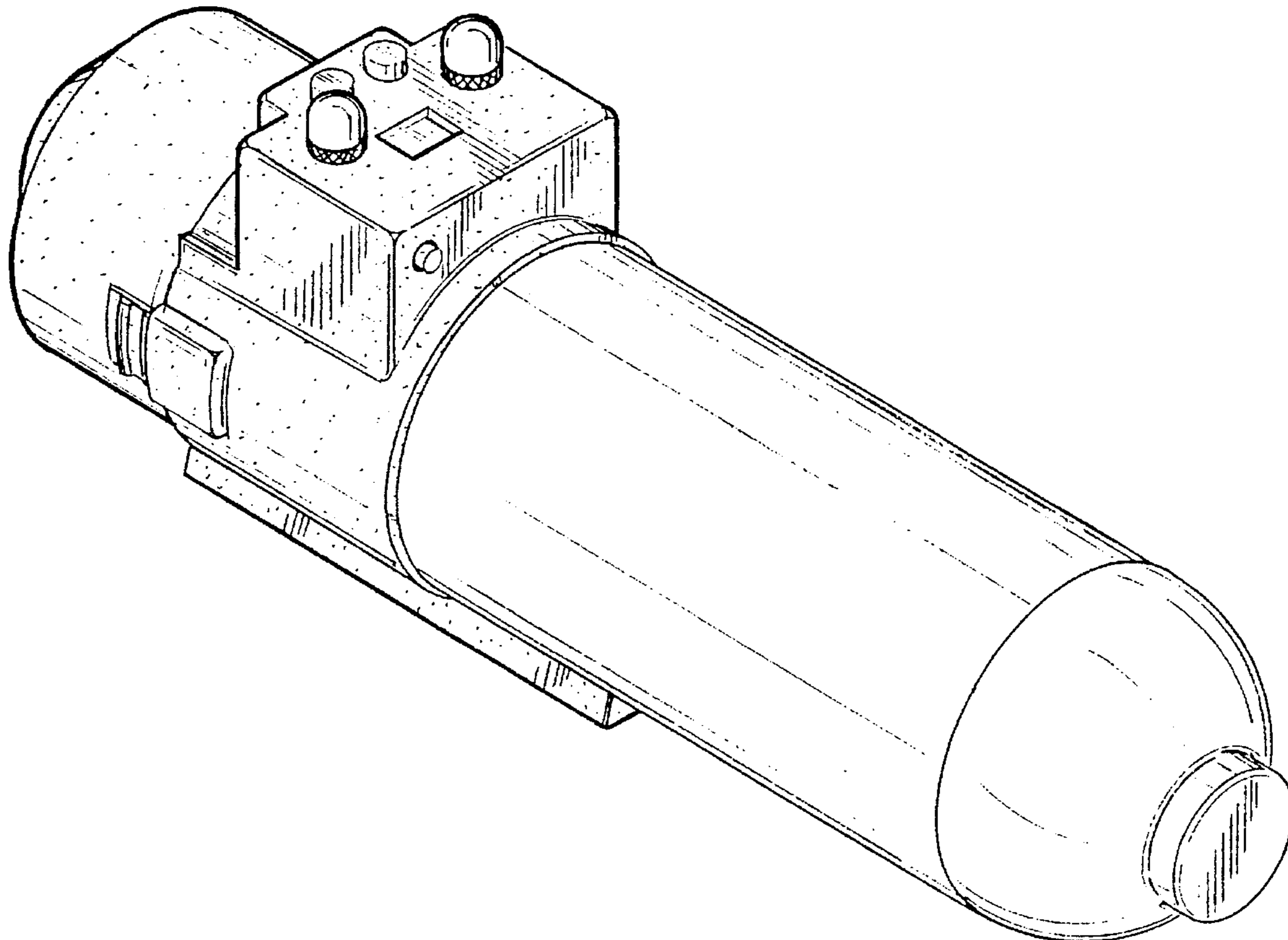
FIG. 6 is a bottom view thereof.

[56] **References Cited**

U.S. PATENT DOCUMENTS

D. 216,285	12/1969	Shiiba	D24/158
D. 238,307	12/1975	Bobov et al.	D24/158
1,949,760	3/1934	Pieper	378/197
3,878,394	4/1975	Golden	250/402

1 Claim, 3 Drawing Sheets



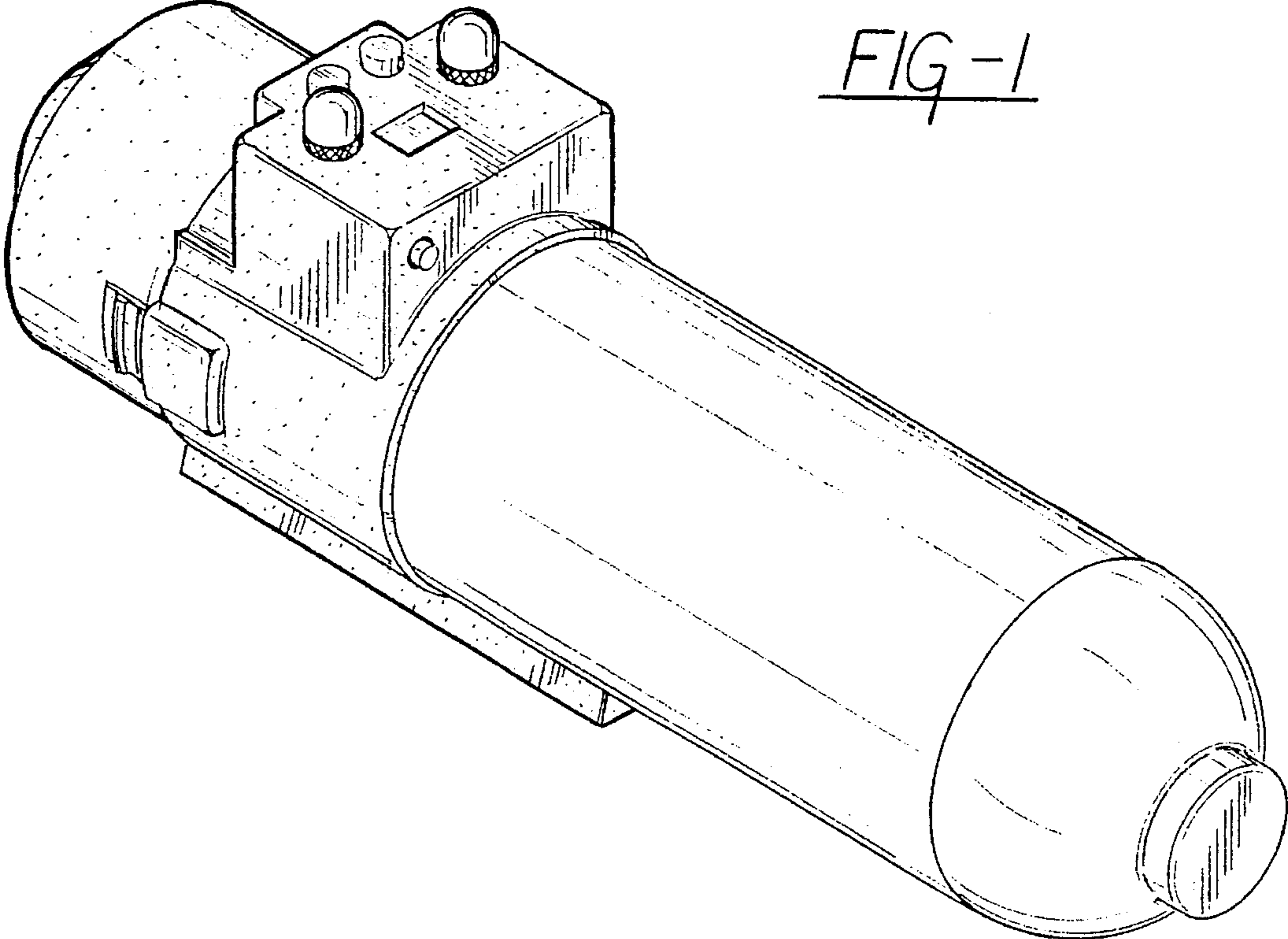


FIG-1

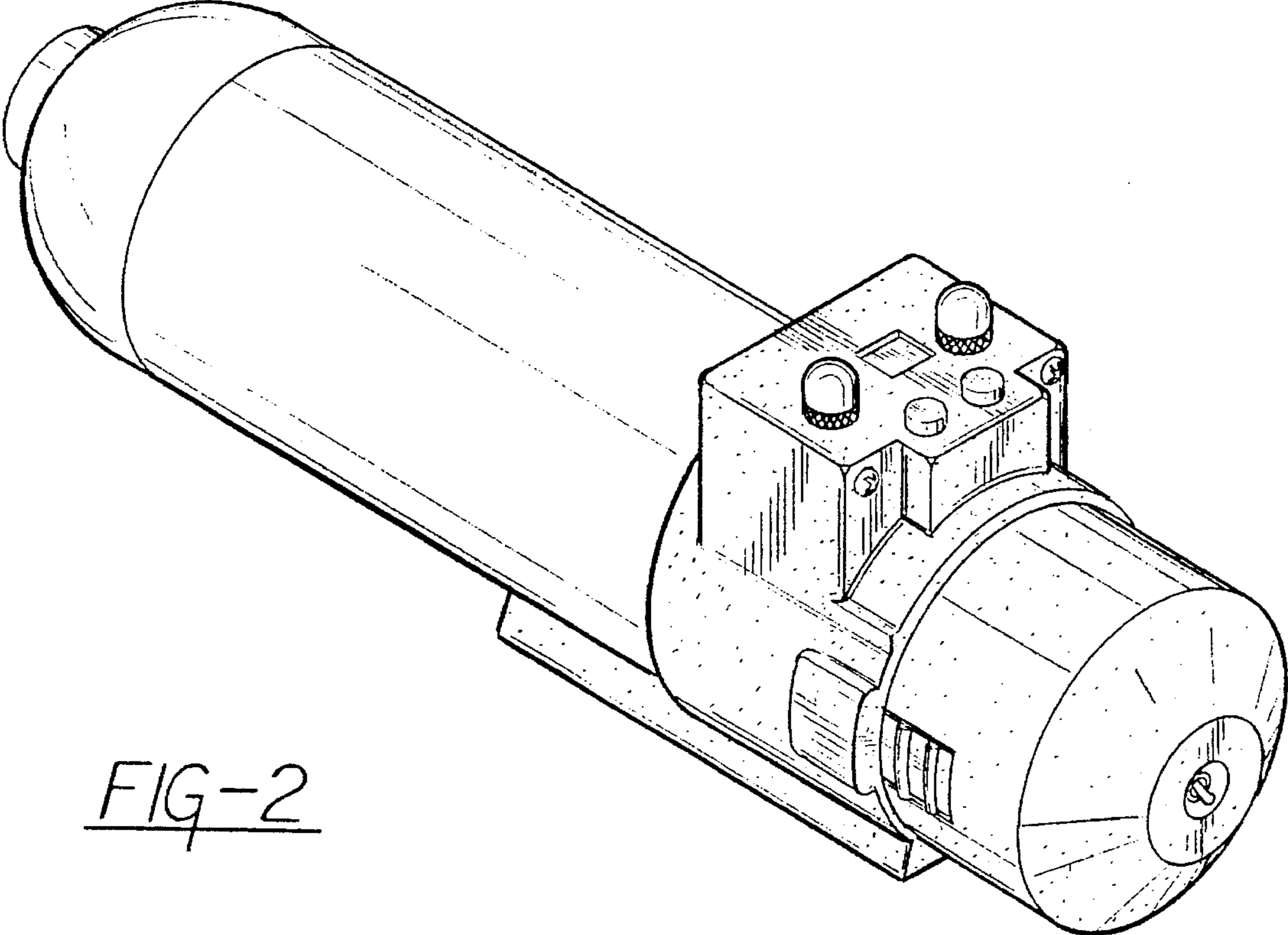


FIG-2

FIG-3

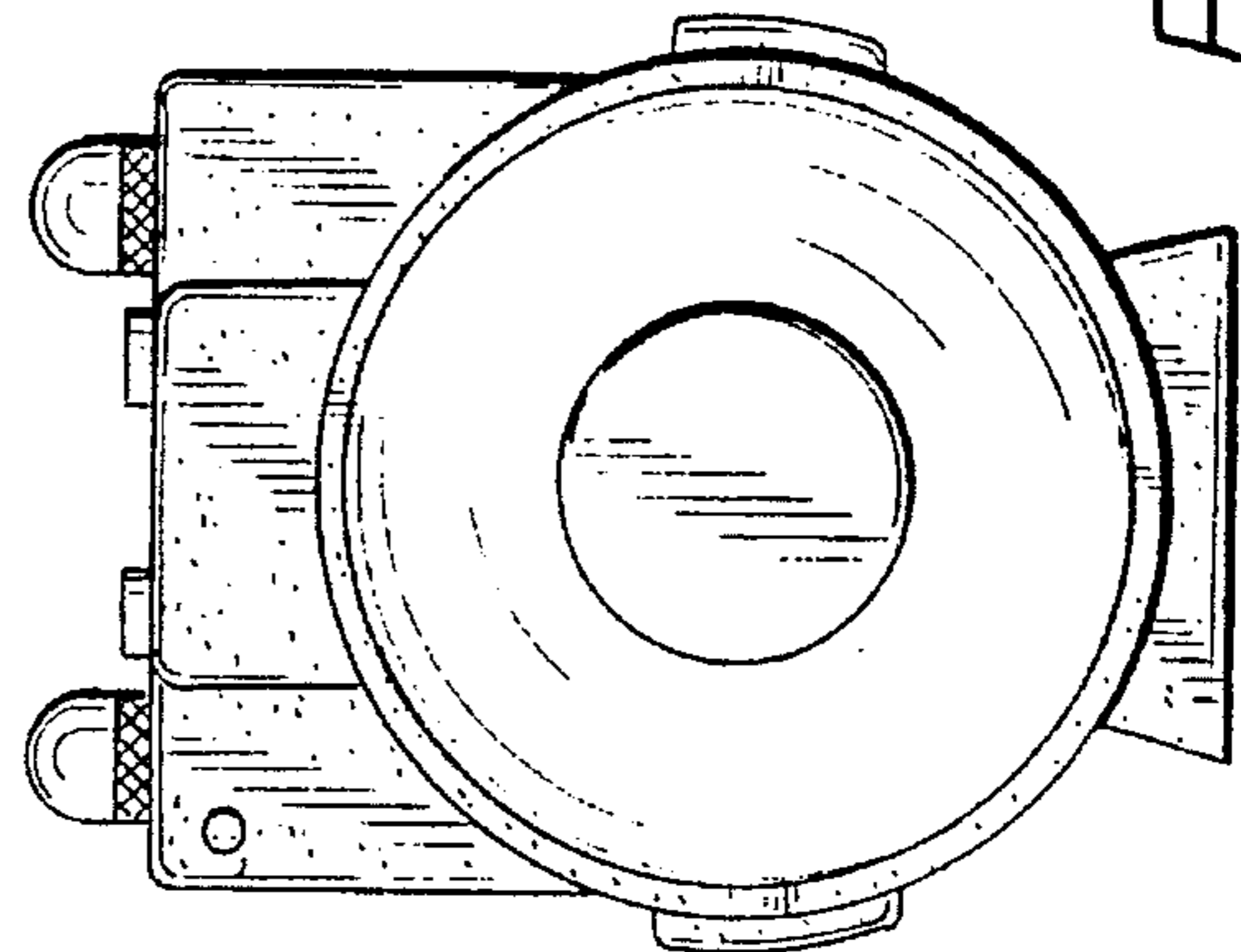
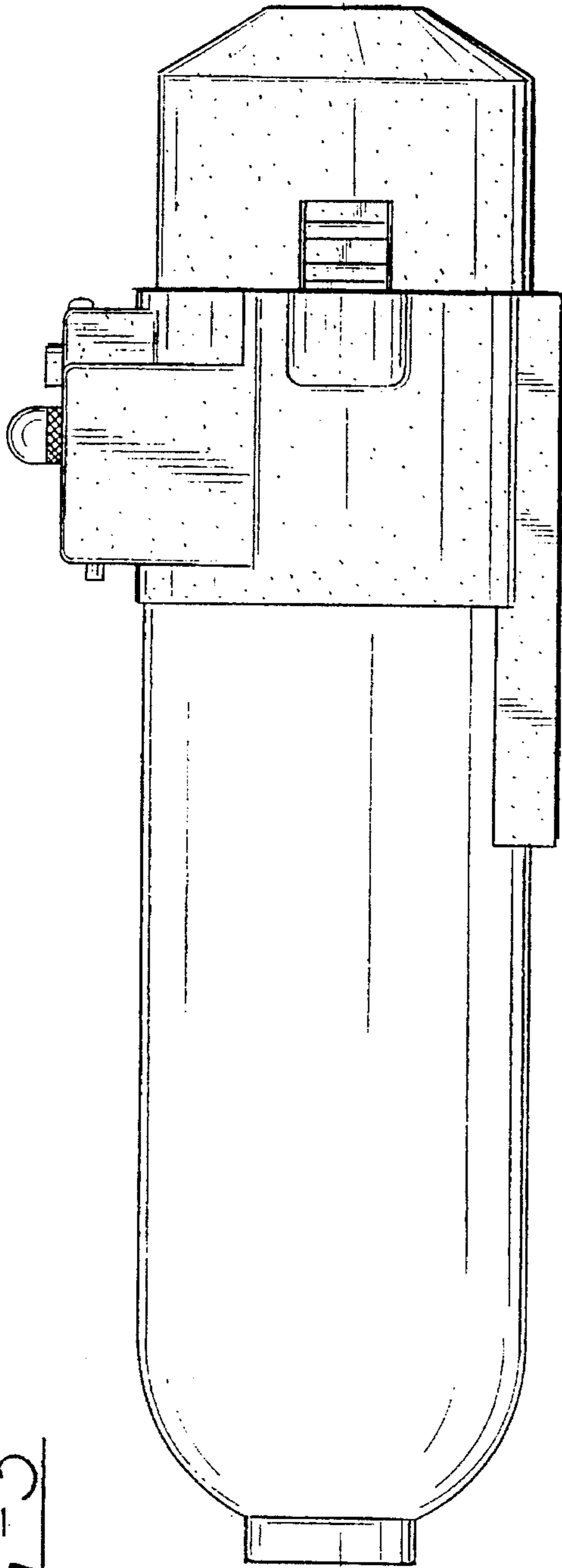


FIG-4

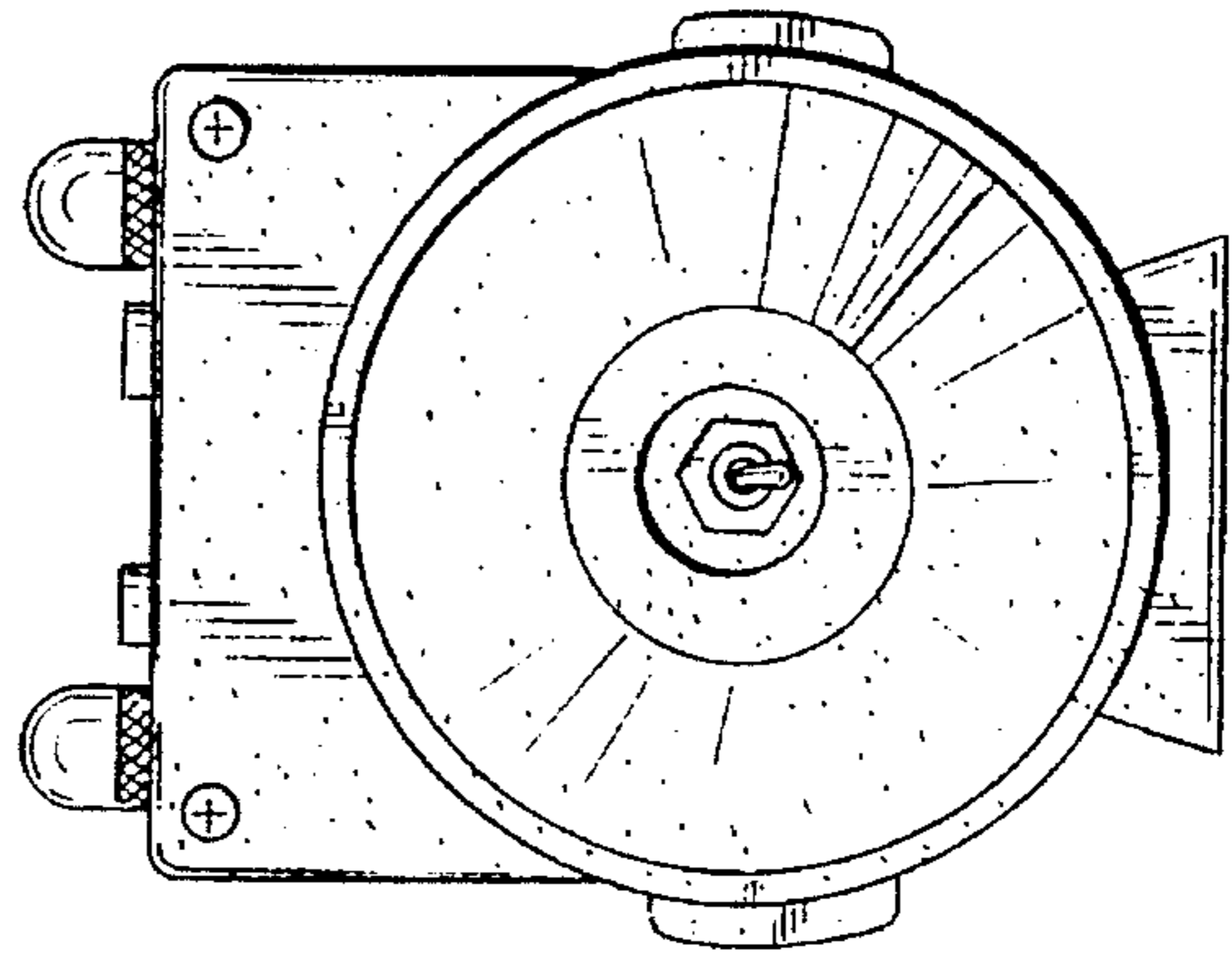


FIG-5

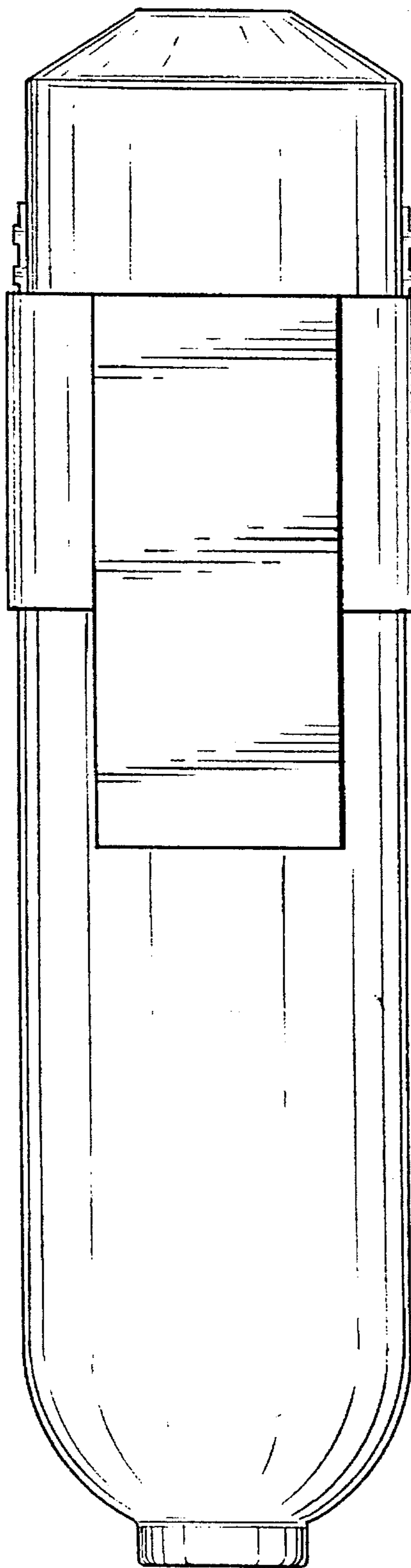


FIG - 6