



US00D371196S

United States Patent [19]
Loffert

[11] **Patent Number: Des. 371,196**
[45] **Date of Patent: **Jun. 25, 1996**

[54] **ADAPTER FOR CONNECTING OXYGEN TUBING TO NEBULIZER**

5,396,883 3/1995 Knupp et al. 128/205.24 X

[76] Inventor: **D. Todd Loffert**, 5300 Cherry Creek Dr., South #224, Denver, Colo. 80222

Primary Examiner—Alan P. Douglas
Assistant Examiner—Linda Brooks
Attorney, Agent, or Firm—William E. Hein

[**] Term: **14 Years**

[57] **CLAIM**

[21] Appl. No.: **26,724**

The ornamental design for an adapter for connecting oxygen tubing to nebulizer, as shown and described.

[22] Filed: **Aug. 4, 1994**

DESCRIPTION

[52] U.S. Cl. **D24/129**

[58] **Field of Search** D24/110, 110.4, D24/129; 128/205.24, 200.23, 200.21, 200.14, 200.18, 911, 912

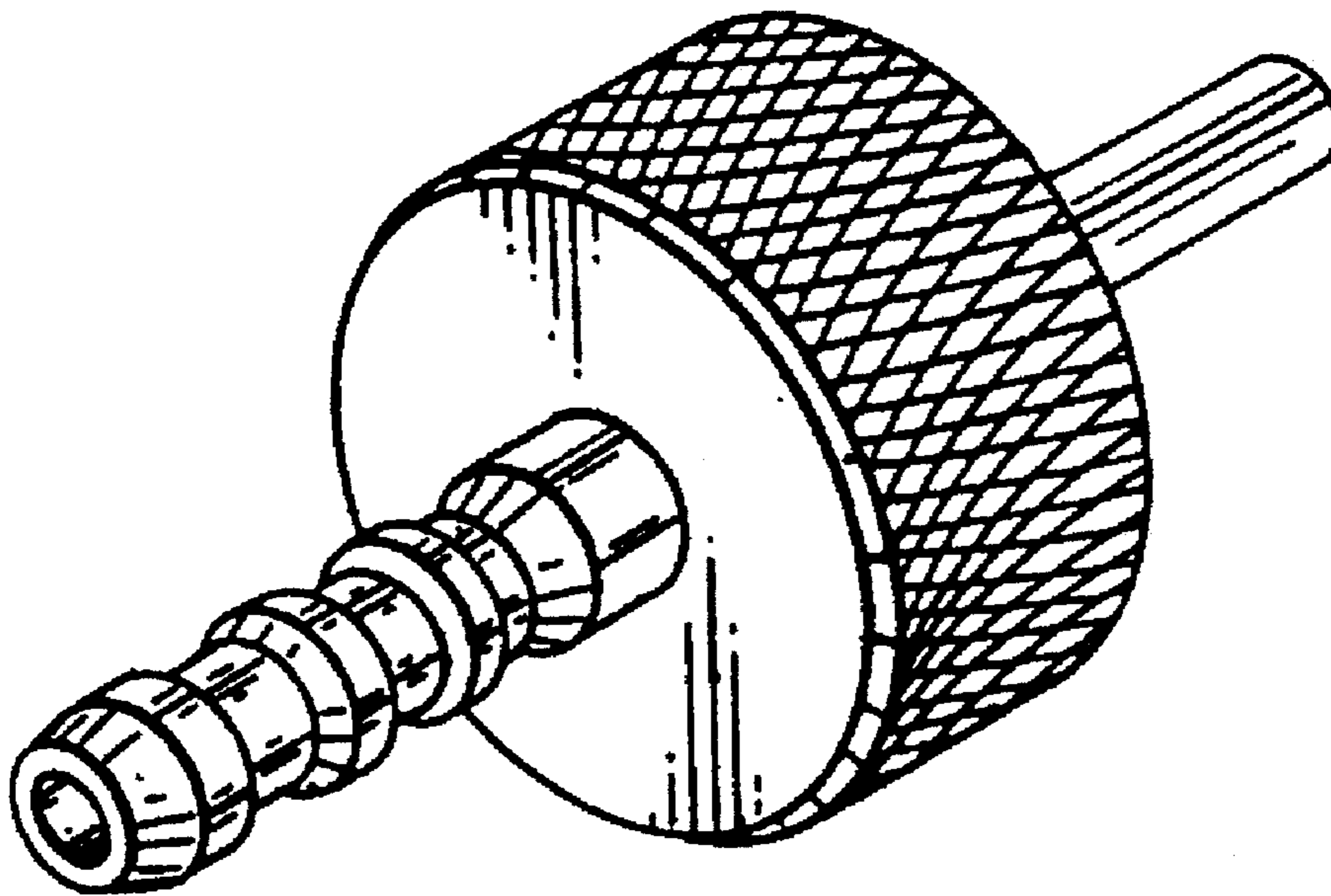
FIG. 1 is a front perspective view of an adapter for connecting oxygen tubing to nebulizer, showing my new design; FIG. 2 is a front elevation view, the top and bottom plan views being identical thereto, and the rear elevation view being a mirror image thereof; FIG. 3 is a left side elevation view; and, FIG. 4 is a right side elevation view.

[56] **References Cited**

U.S. PATENT DOCUMENTS

D. 340,976 11/1993 Garcia D24/110
4,951,661 8/1990 Sladek 128/205.24 X

1 Claim, 1 Drawing Sheet



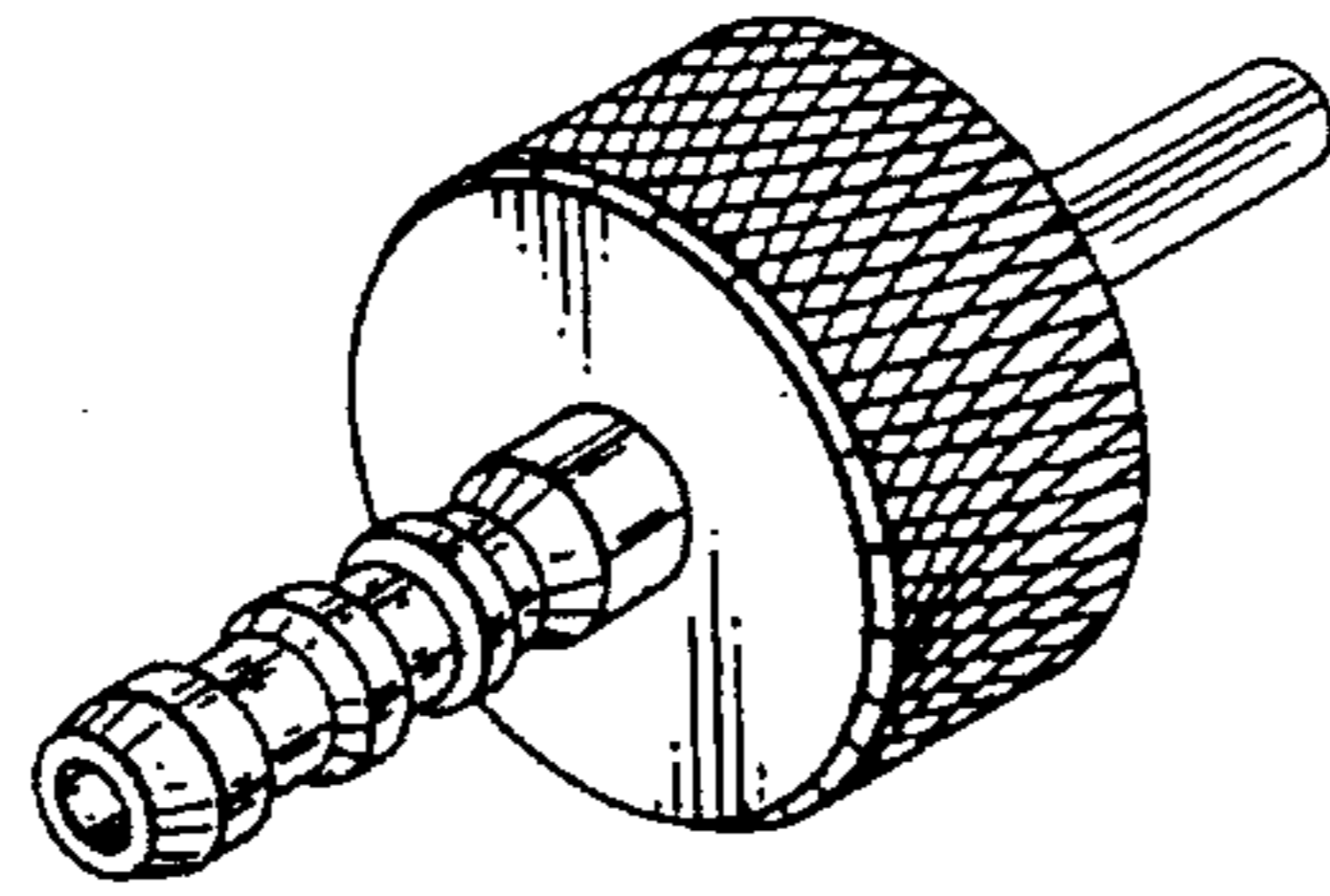


FIG. 1

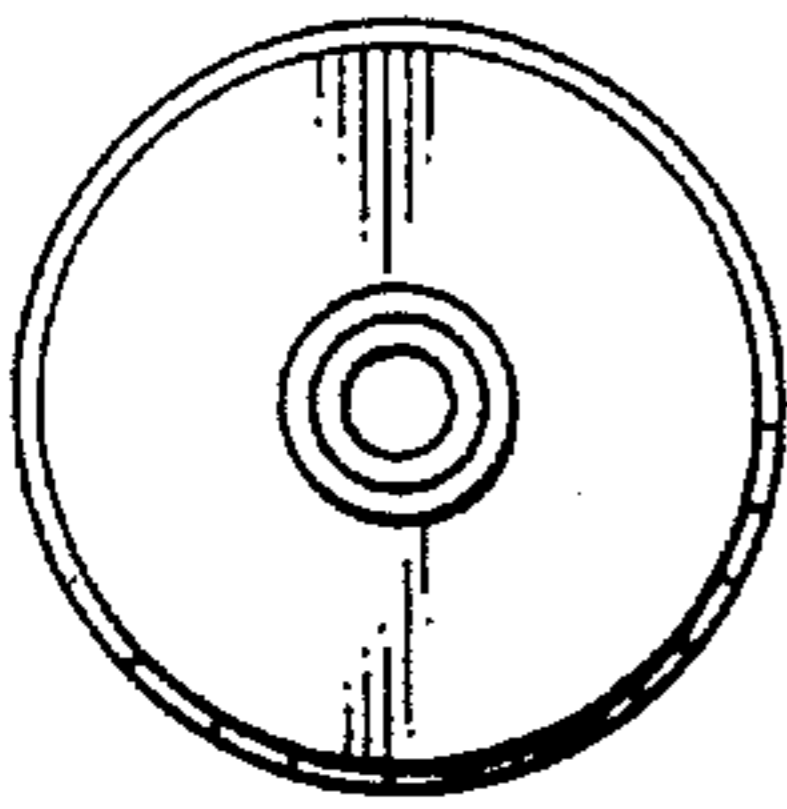


FIG. 3

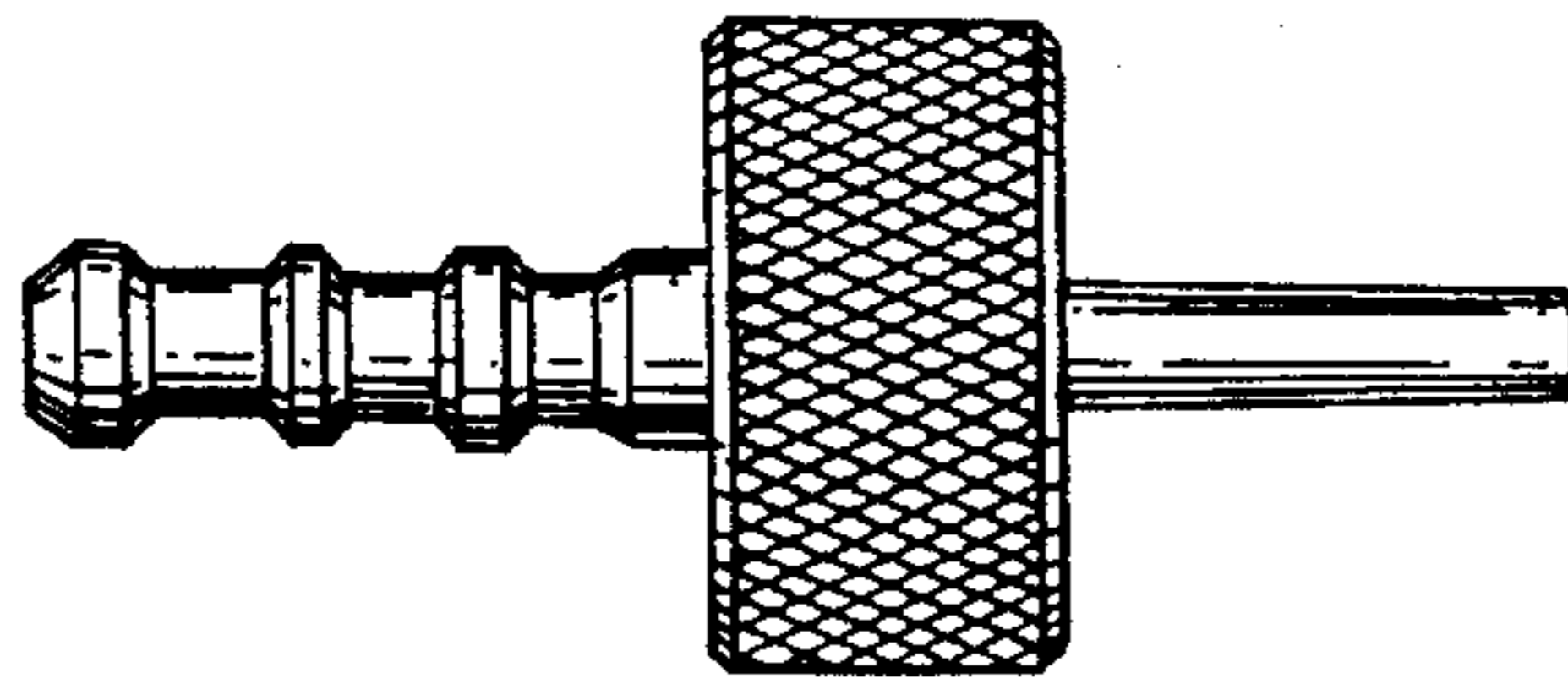


FIG. 2

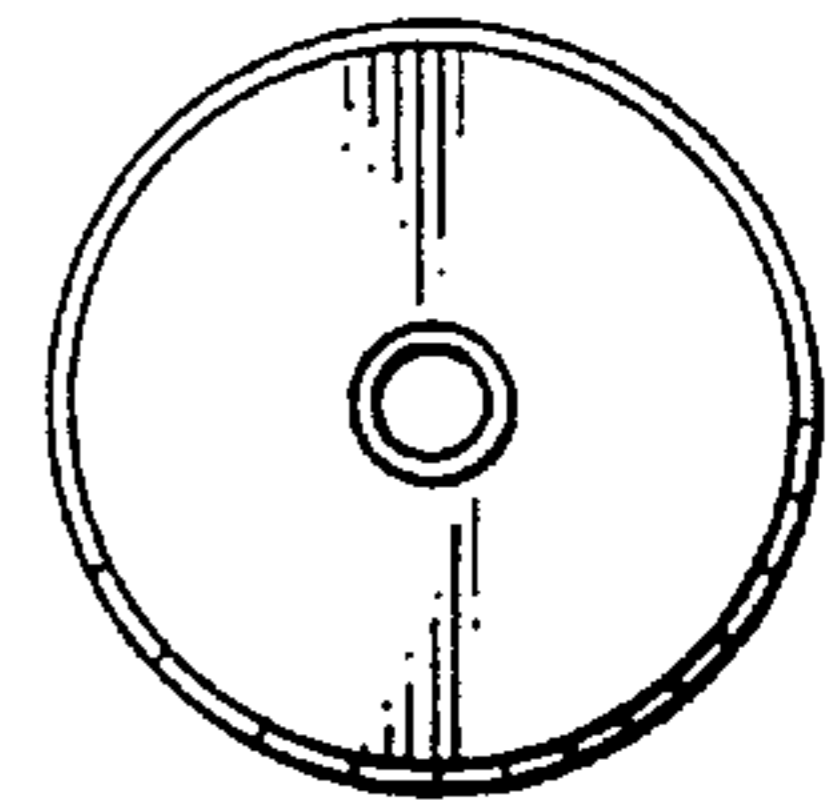


FIG. 4