



US00D371190S

United States Patent [19]
Kaiser

[11] **Patent Number: Des. 371,190**

[45] **Date of Patent: **Jun. 25, 1996**

[54] **DESIGN FOR A LAVATORY**

D. 355,950 2/1995 Kawamura et al. D23/293.1

[75] Inventor: **Jack N. Kaiser**, Danville, Ky.

Primary Examiner—Stella Reid

Assistant Examiner—Eric Watterson

[73] Assignee: **American Standard Inc.**, Piscataway, N.J.

Attorney, Agent, or Firm—Elaine Brenner Robinson; Ann M. Knab

[**] Term: **14 Years**

[57] **CLAIM**

[21] Appl. No.: **37,950**

The ornamental design for a lavatory, as shown and described.

[22] Filed: **Apr. 25, 1995**

DESCRIPTION

[52] **U.S. Cl.** **D23/293.1**

[58] **Field of Search** D23/284–293.1,
D23/308; 4/619, 625, 637, 638, 661, 635,
636, 639–650

FIG. 1 is a perspective view of a lavatory showing my new design;

FIG. 2 is a rear elevational view thereof;

FIG. 3 is a right side elevational view thereof, the left side view being a mirror image of the right side;

FIG. 4 is a top plan view thereof;

FIG. 5 is a bottom plan thereof; and,

FIG. 6 is a front elevational view thereof.

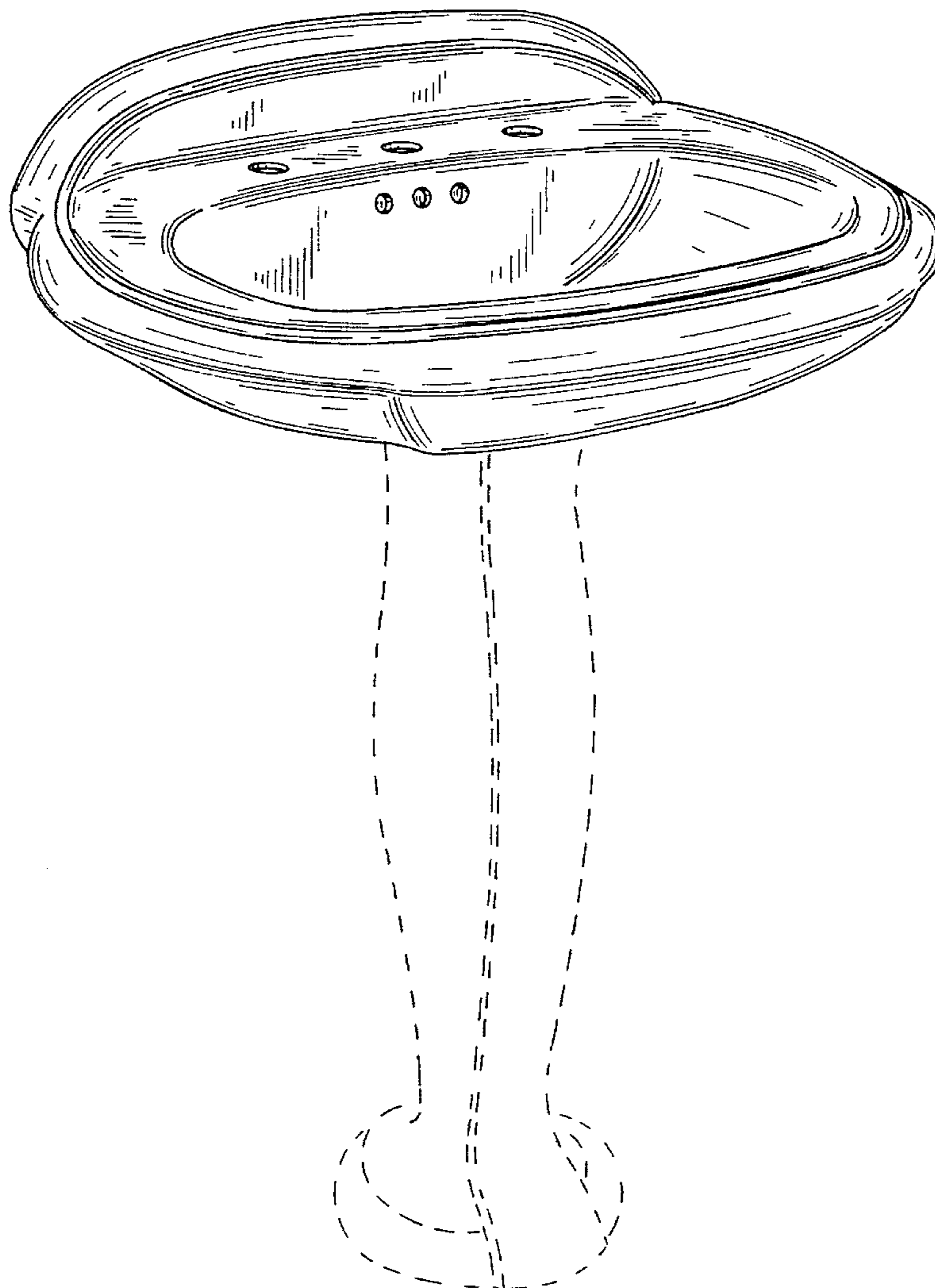
The broken line showing of the pedestal is for illustrative purposes only and forms no part of the claimed design.

[56] **References Cited**

U.S. PATENT DOCUMENTS

D. 260,678	9/1981	Hiller	D23/293.1	X
D. 266,577	10/1982	Kaiser	D23/70	
D. 292,609	11/1987	Kolada	D23/293.1	X
D. 295,071	4/1988	Kohler, Jr. et al.	D23/293.1	
D. 351,460	10/1994	Kohler, Jr. et al.	D23/284	

1 Claim, 6 Drawing Sheets



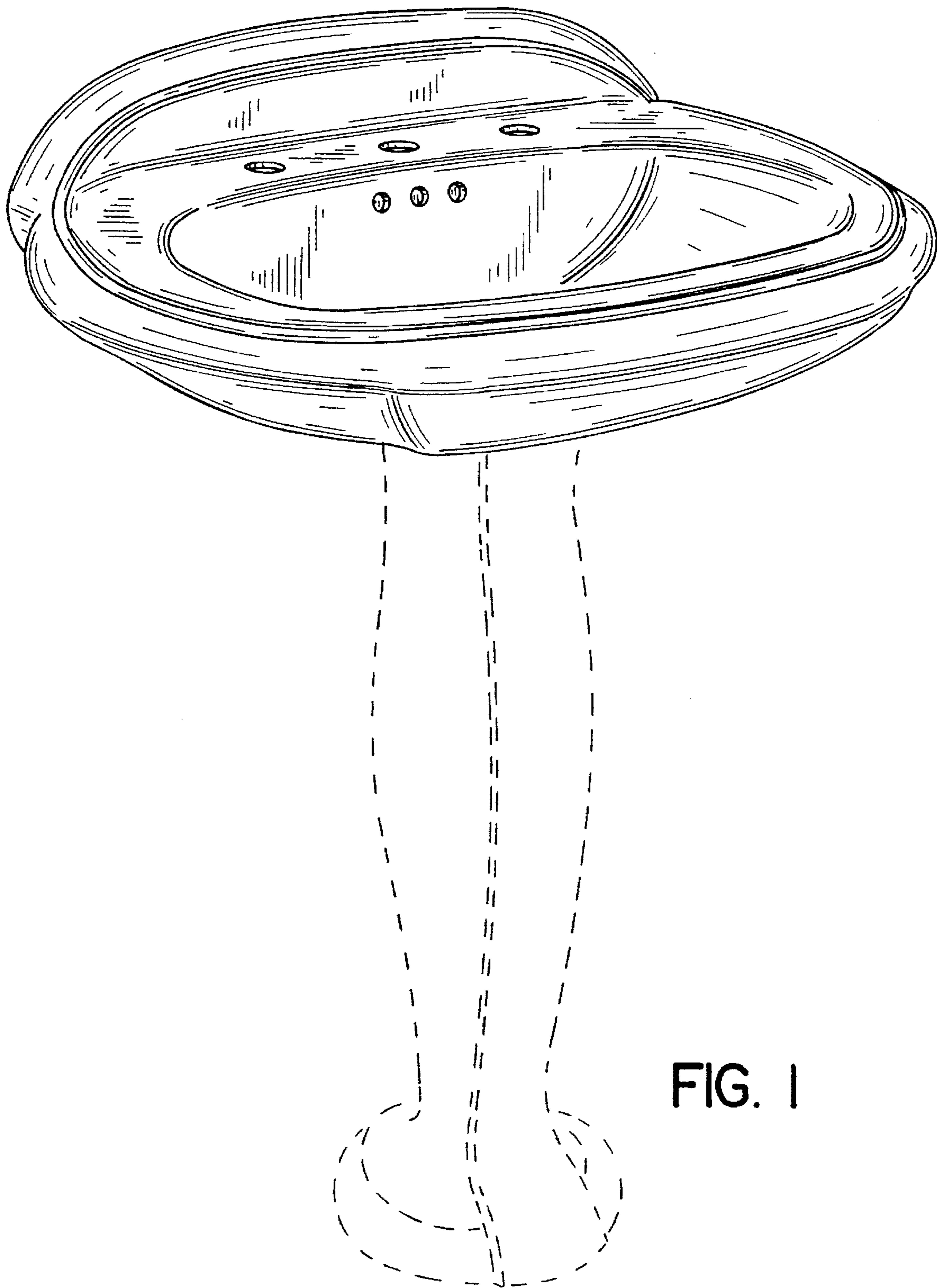


FIG. 1

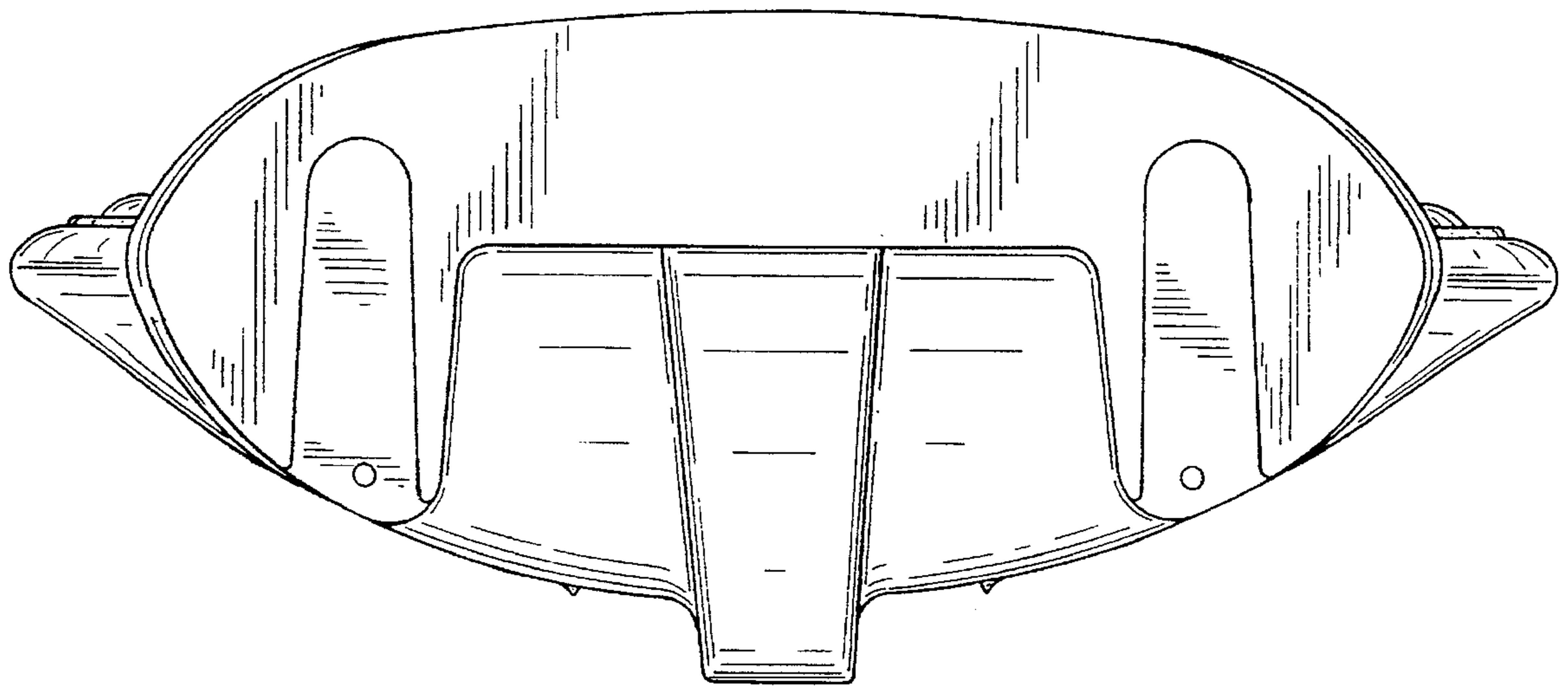


FIG. 2

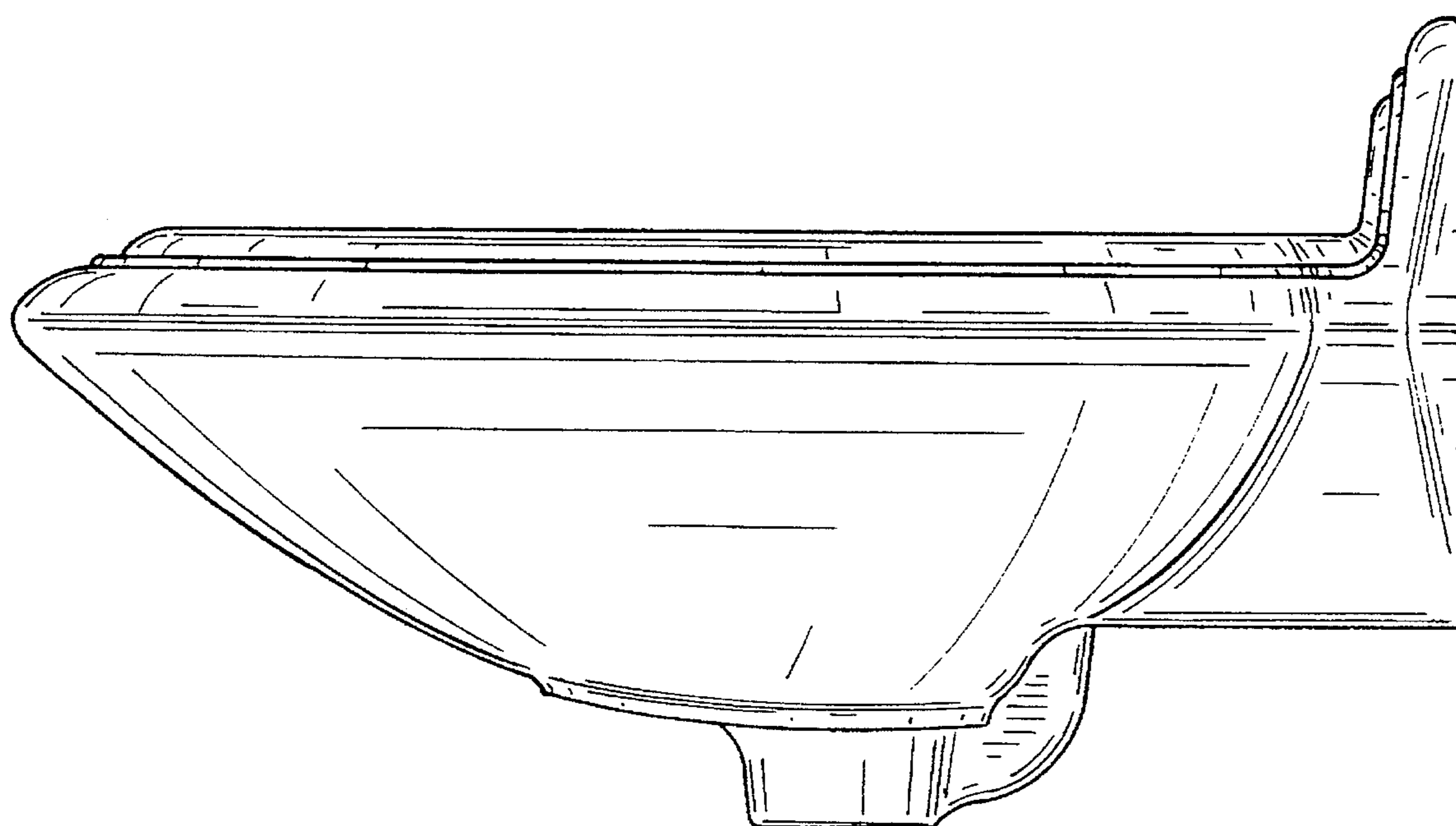


FIG. 3

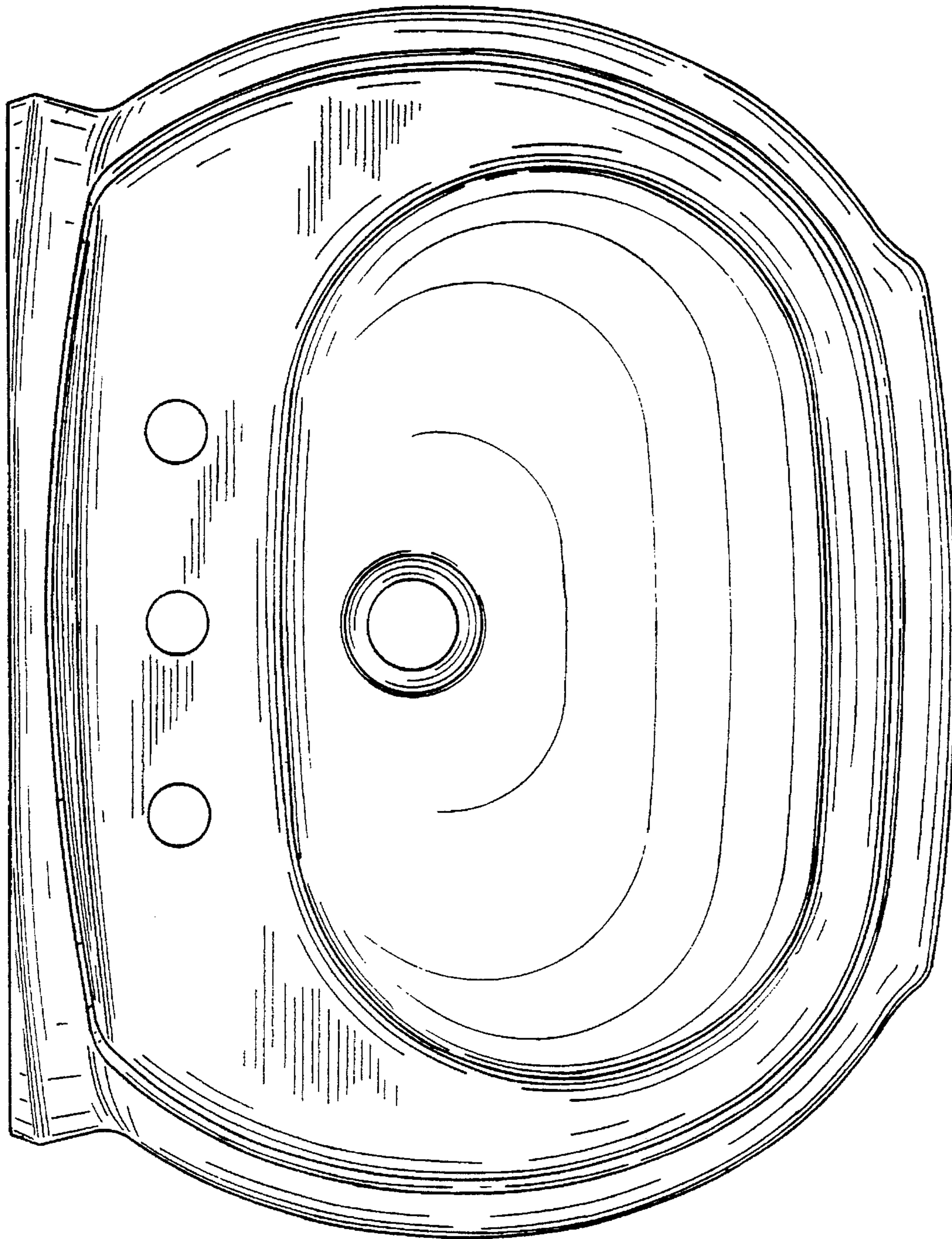


FIG. 4

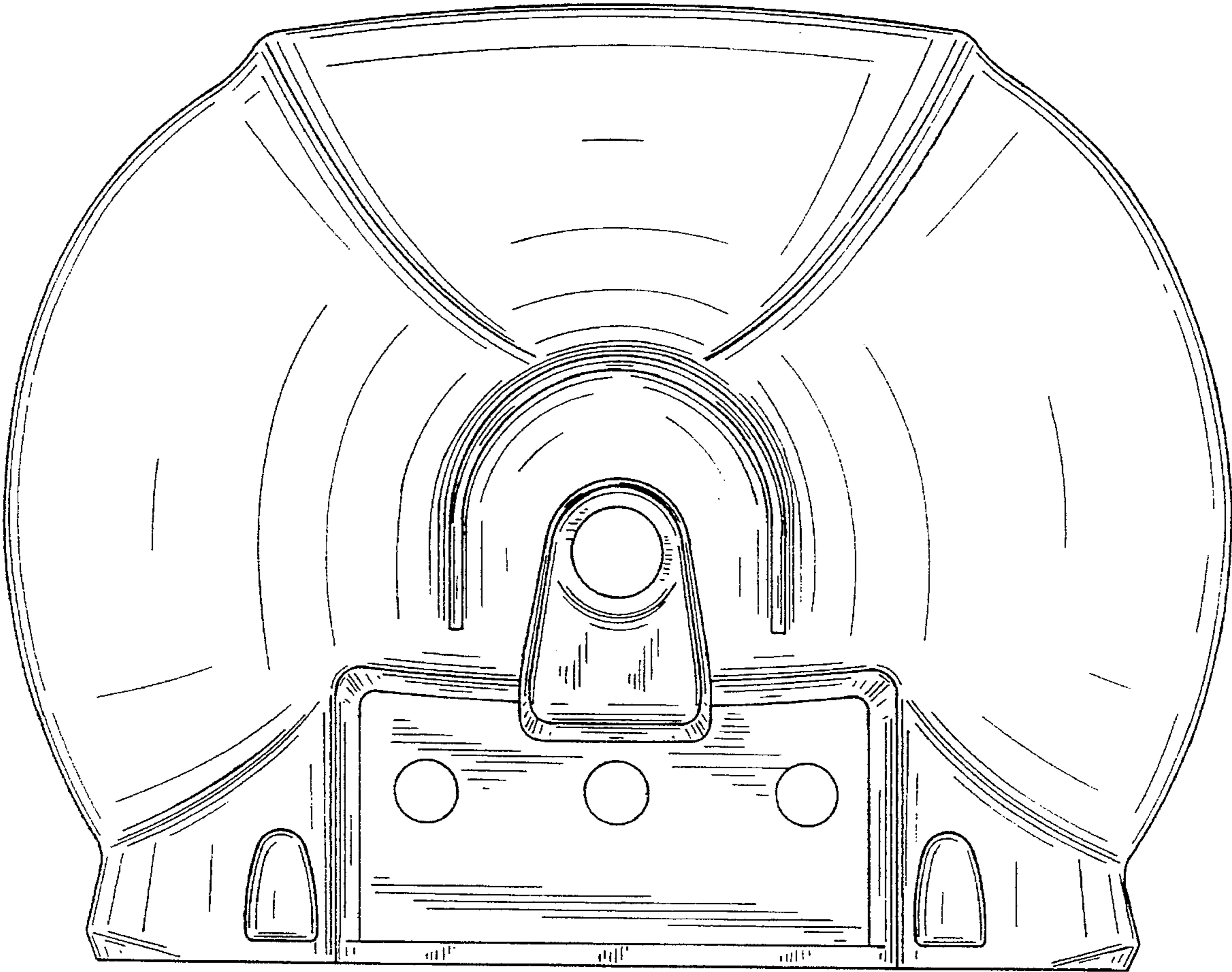


FIG. 5

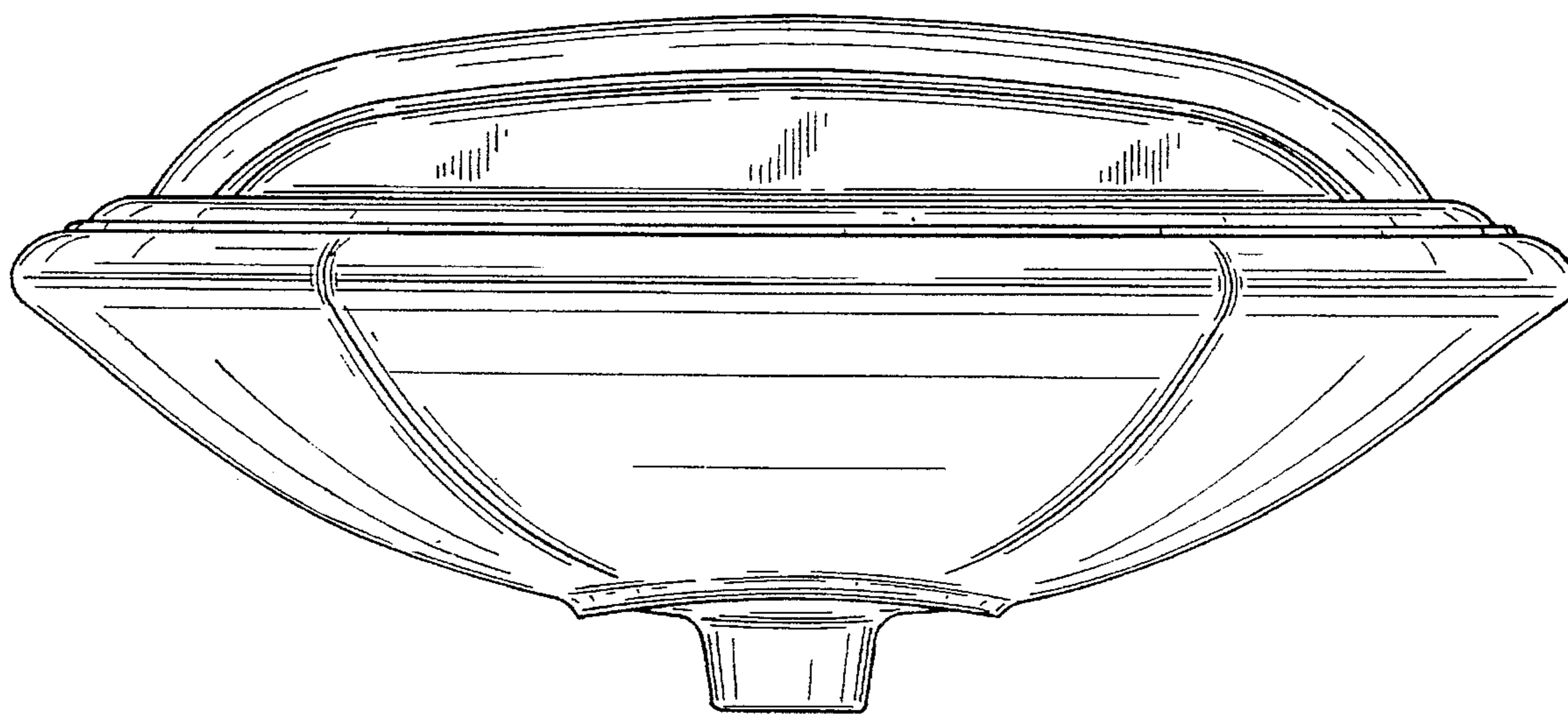


FIG. 6