



US00D371189S

United States Patent [19]

[11] **Patent Number: Des. 371,189**

Dharamsi et al.

[45] **Date of Patent: **Jun. 25, 1996**

[54] **GASKET**

3,682,503 8/1972 Bloom .
5,039,137 8/1991 Cankovic et al. .
5,193,859 3/1993 McKinnon .

[75] Inventors: **Shiraz Dharamsi**, Edmonton; **Roman Babicki**, West Vancouver, both of Canada

FOREIGN PATENT DOCUMENTS

[73] Assignee: **Coast Couplings Ltd.**, Surrey, Canada

2109566 9/1972 Germany .
643644 6/1984 Sweden .

[**] Term: **14 Years**

OTHER PUBLICATIONS

[21] Appl. No.: **35,161**

Photographs of a Gasket originating with Bibby Foundry in Ontario, and in use and on sale in Canada in 1985.

[22] Filed: **Feb. 21, 1995**

Primary Examiner—Stella Reid
Assistant Examiner—Eric Watterson
Attorney, Agent, or Firm—Weldon F. Green

[30] **Foreign Application Priority Data**

Aug. 26, 1994 [CA] Canada 1994-1664

[52] **U.S. Cl.** **D23/269**

[58] **Field of Search** D23/259-265,
D23/269; 285/177, 236, 331, 351, 423,
383; 277/207 R, 207 A, 215

[57] **CLAIM**

An ornamental design for a gasket, as shown and described.

[56] **References Cited**

DESCRIPTION

U.S. PATENT DOCUMENTS

D. 222,643 11/1971 Martin D23/266
D. 224,303 7/1972 Bergkvist D23/262
D. 239,448 4/1976 Kazieuko D23/269 X
D. 342,567 12/1993 Boen D23/269
2,284,754 6/1942 McGarry 285/331 X
3,378,282 4/1968 Demler, Sr. .
3,479,055 11/1969 Gittleman .

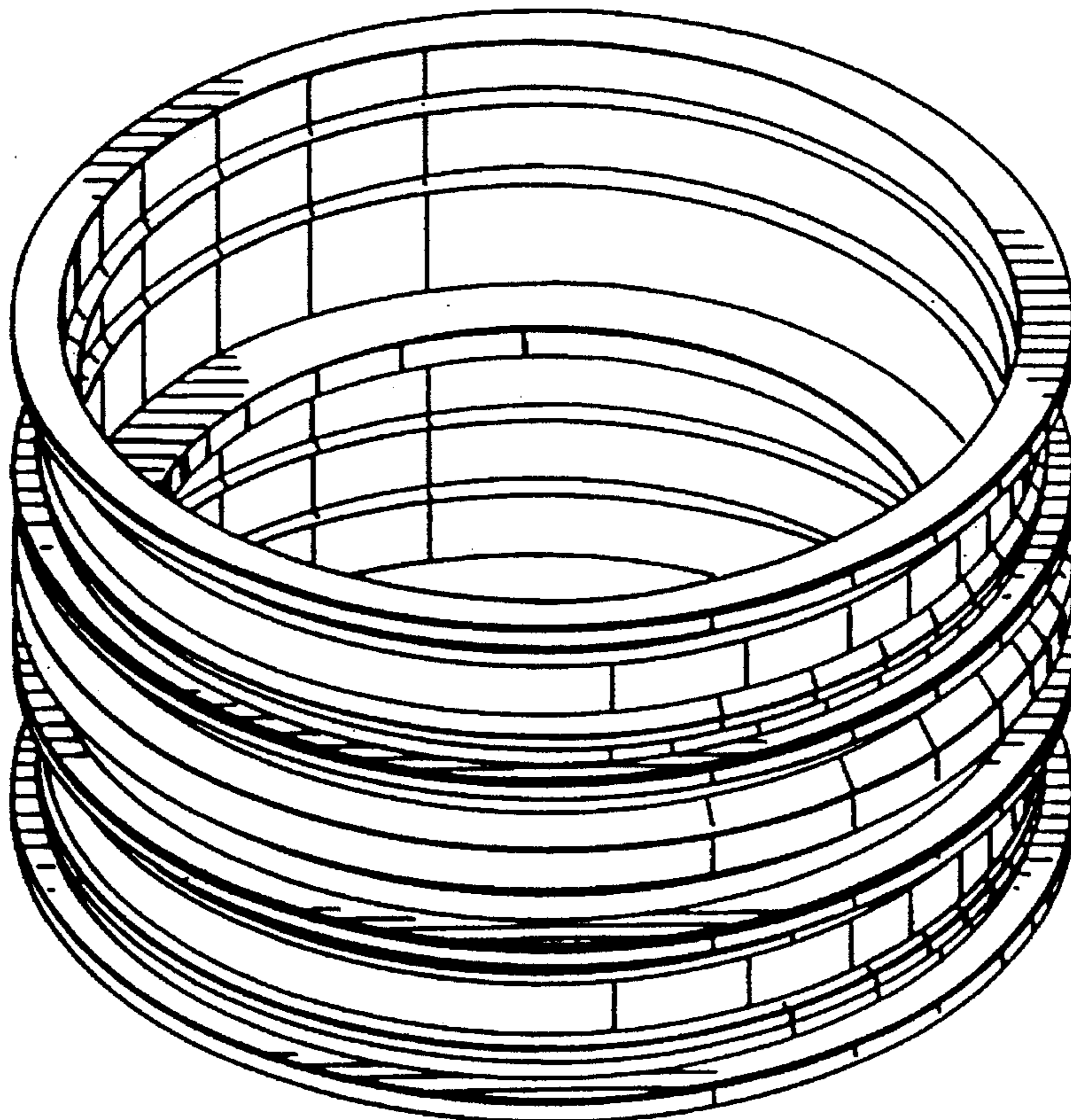
FIG. 1 is a perspective view of the gasket showing our new design;

FIG. 2 is a top plan view of the gasket of FIG. 1, the bottom view being a mirror image thereof;

FIG. 3 is a side elevational view of the gasket of FIG. 1, all other sides being a mirror image thereof; and,

FIG. 4 is a cross-sectional view taken along line 4—4 of FIG. 2.

1 Claim, 2 Drawing Sheets



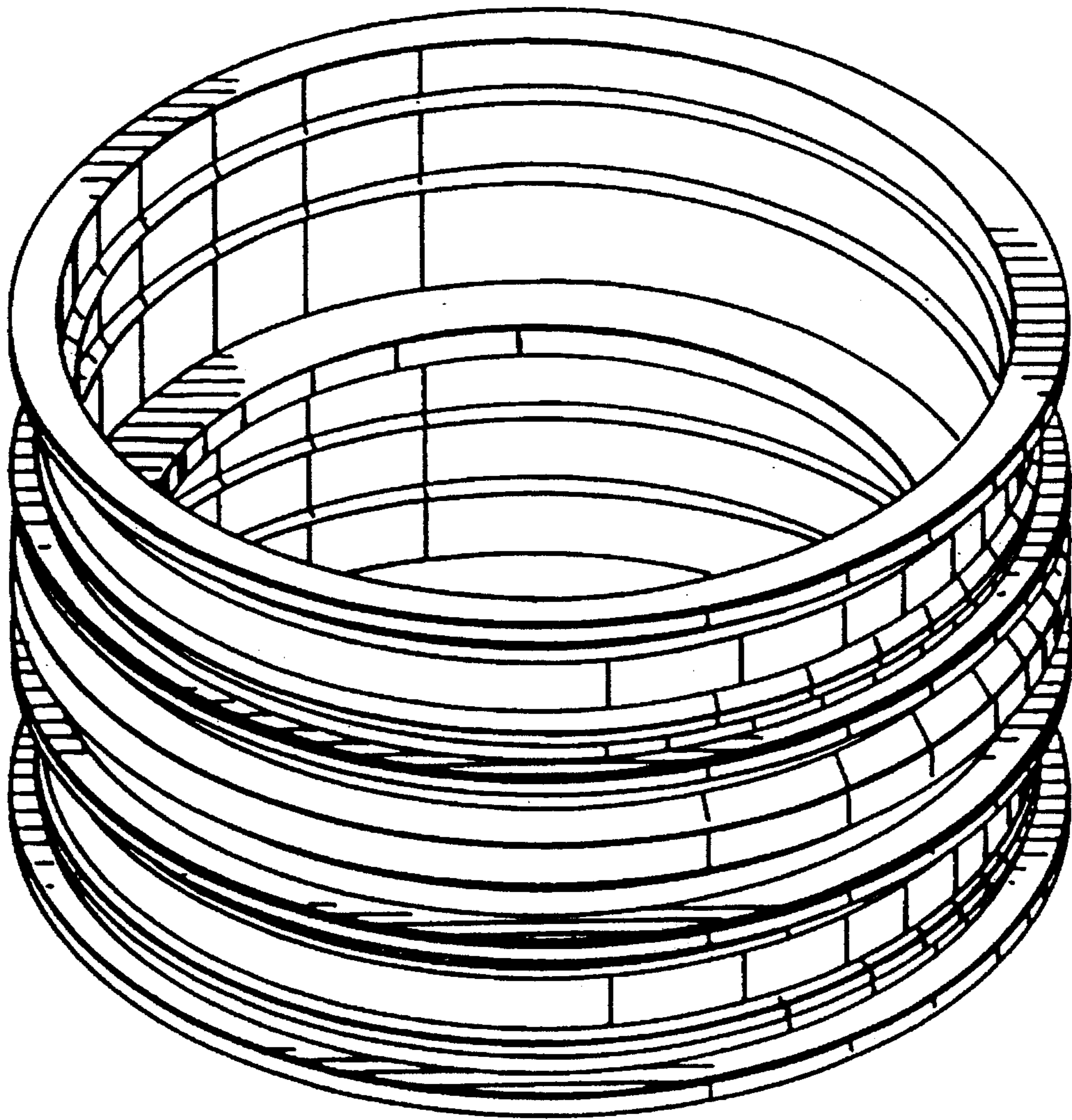


FIG. 1

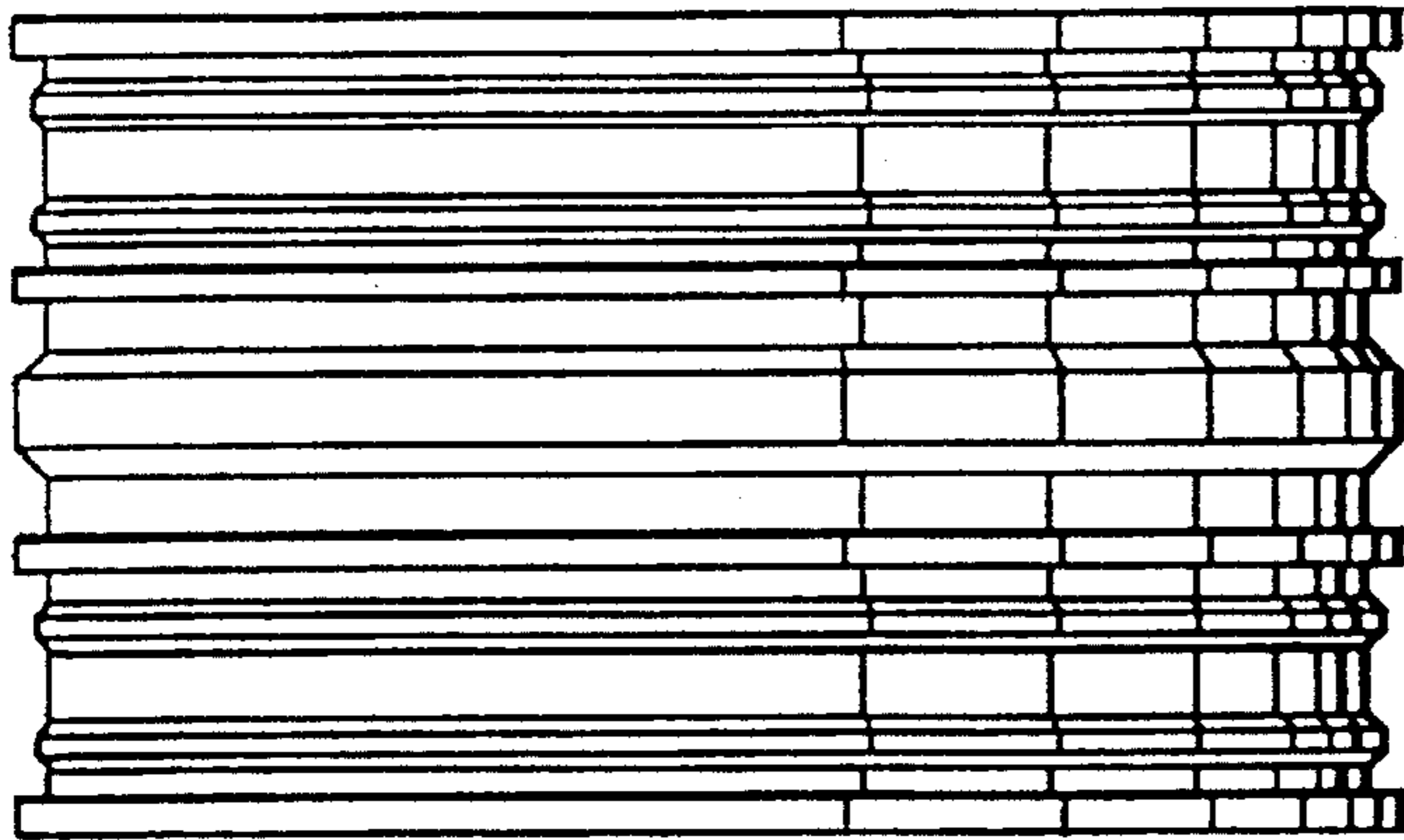
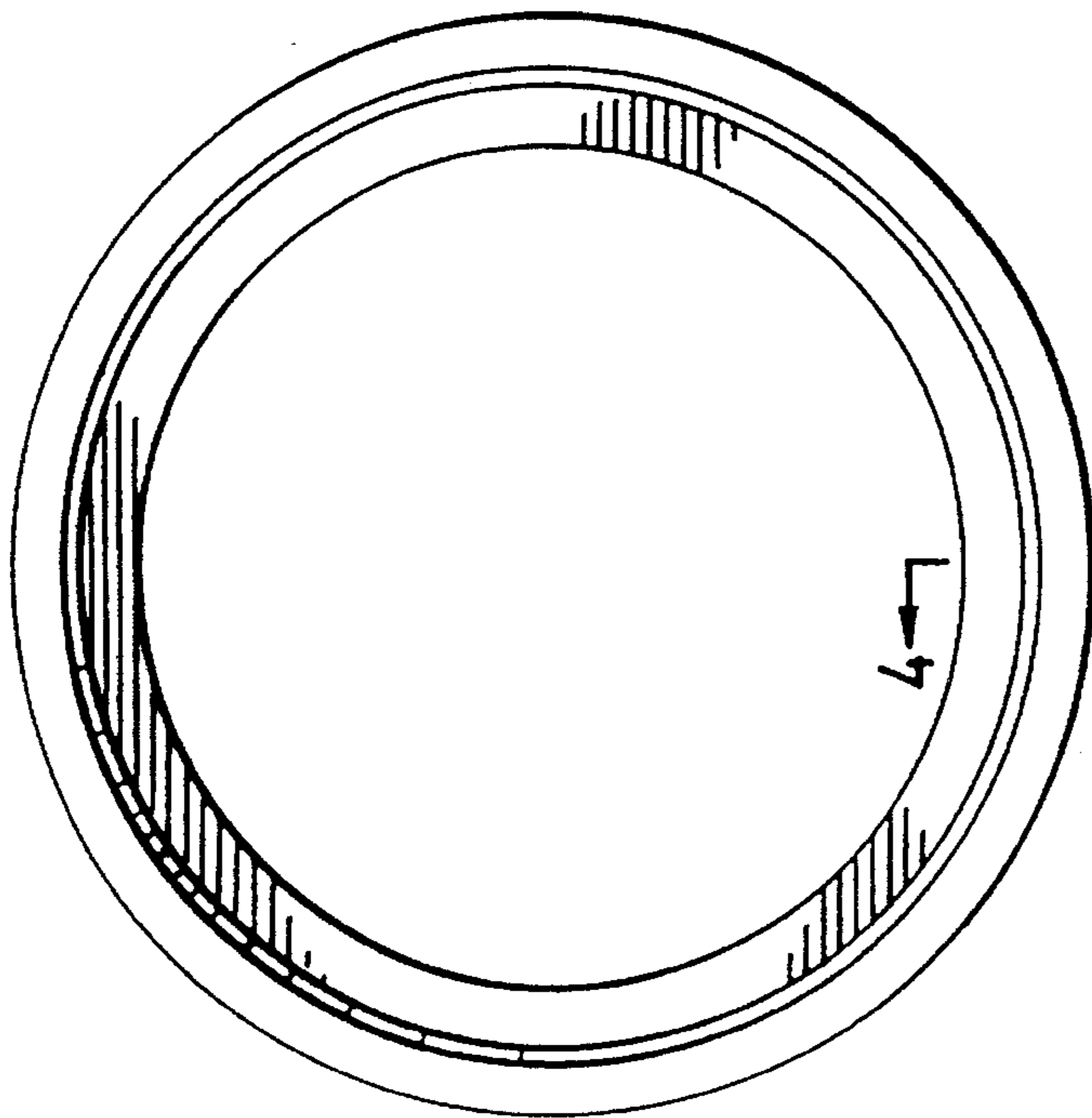


FIG. 3



4-4
FIG. 2

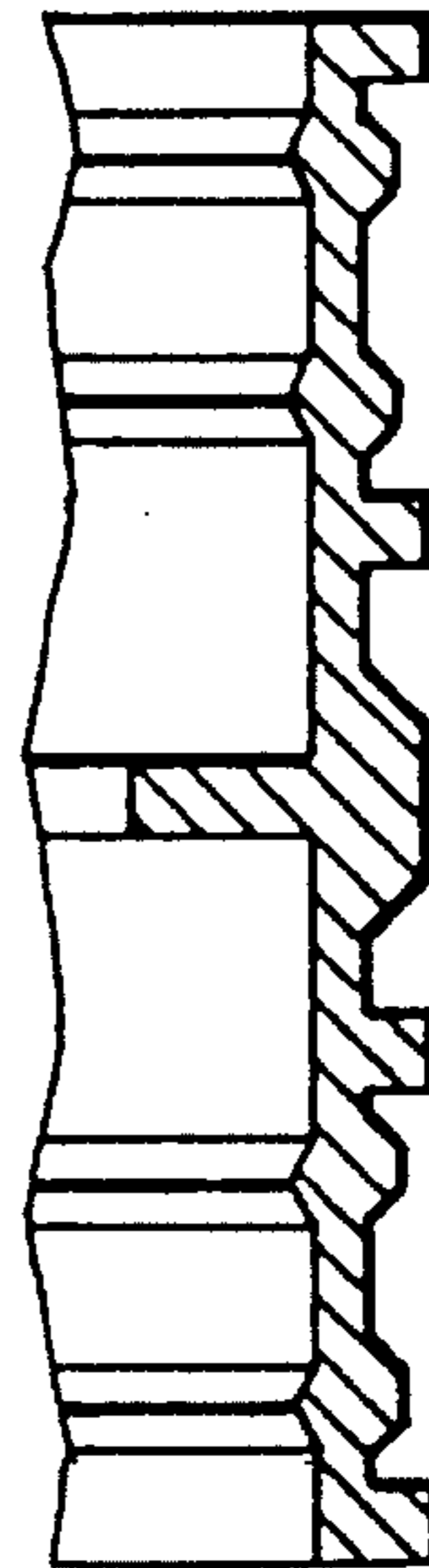


FIG. 4