



US00D371187S

United States Patent [19]

[11] Patent Number: **Des. 371,187**

Ryynänen

[45] Date of Patent: ****Jun. 25, 1996**

[54] **DISC DIFFUSER**

4,981,623 1/1991 Ryan 261/122.2

[75] Inventor: **Hannu Ryynänen**, Helsinki, Finland

Primary Examiner—Alan P. Douglas

Assistant Examiner—Stacia Sinuik

[73] Assignee: **Nopon Oy**, Helsinki, Finland

Attorney, Agent, or Firm—Burns, Doane, Swecker & Mathis

[**] Term: **14 Years**

[57] CLAIM

[21] Appl. No.: **29,908**

The ornamental design for a disc diffuser, as shown and described.

[22] Filed: **Oct. 19, 1994**

DESCRIPTION

[30] Foreign Application Priority Data

FIG. 1 is a perspective top view showing my new design;

FIG. 2 is a perspective bottom view thereof;

FIG. 3 is a top view thereof;

FIG. 4 is a bottom view thereof;

FIG. 5 is a front side view thereof;

FIG. 6 is a back side view thereof;

FIG. 7 is a left side view thereof; and,

FIG. 8 is a right side view thereof.

Apr. 26, 1994 [FI] Finland 328/94

[52] U.S. Cl. **D23/213**; D23/210

[58] Field of Search D23/207-210,
D23/213; 261/122.1, 122.2, 124, DIG. 70

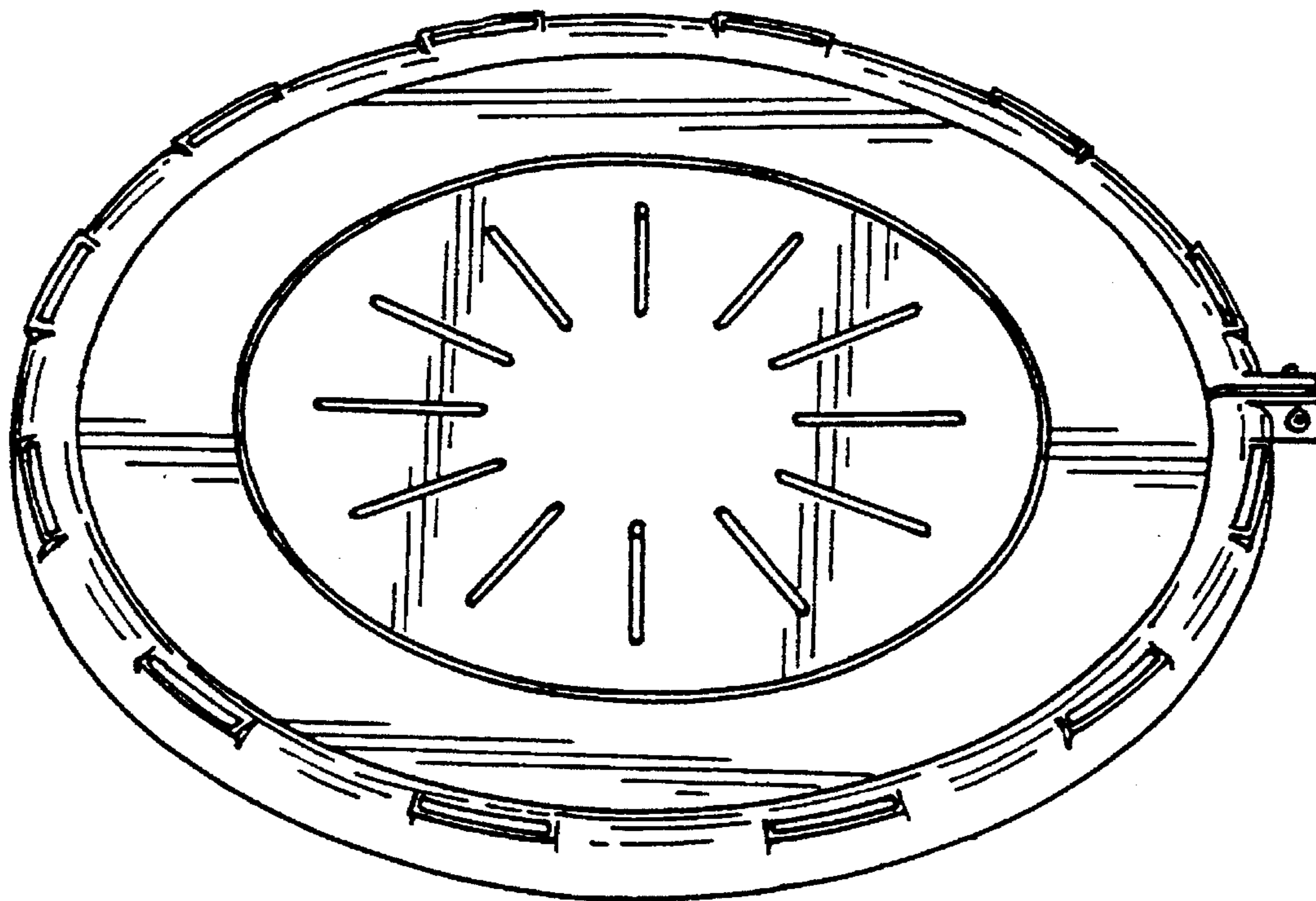
[56] References Cited

U.S. PATENT DOCUMENTS

Re. 33,899 4/1992 Tyer 261/DIG. 70 X

D. 321,745 11/1991 Murrell D23/209

1 Claim, 3 Drawing Sheets



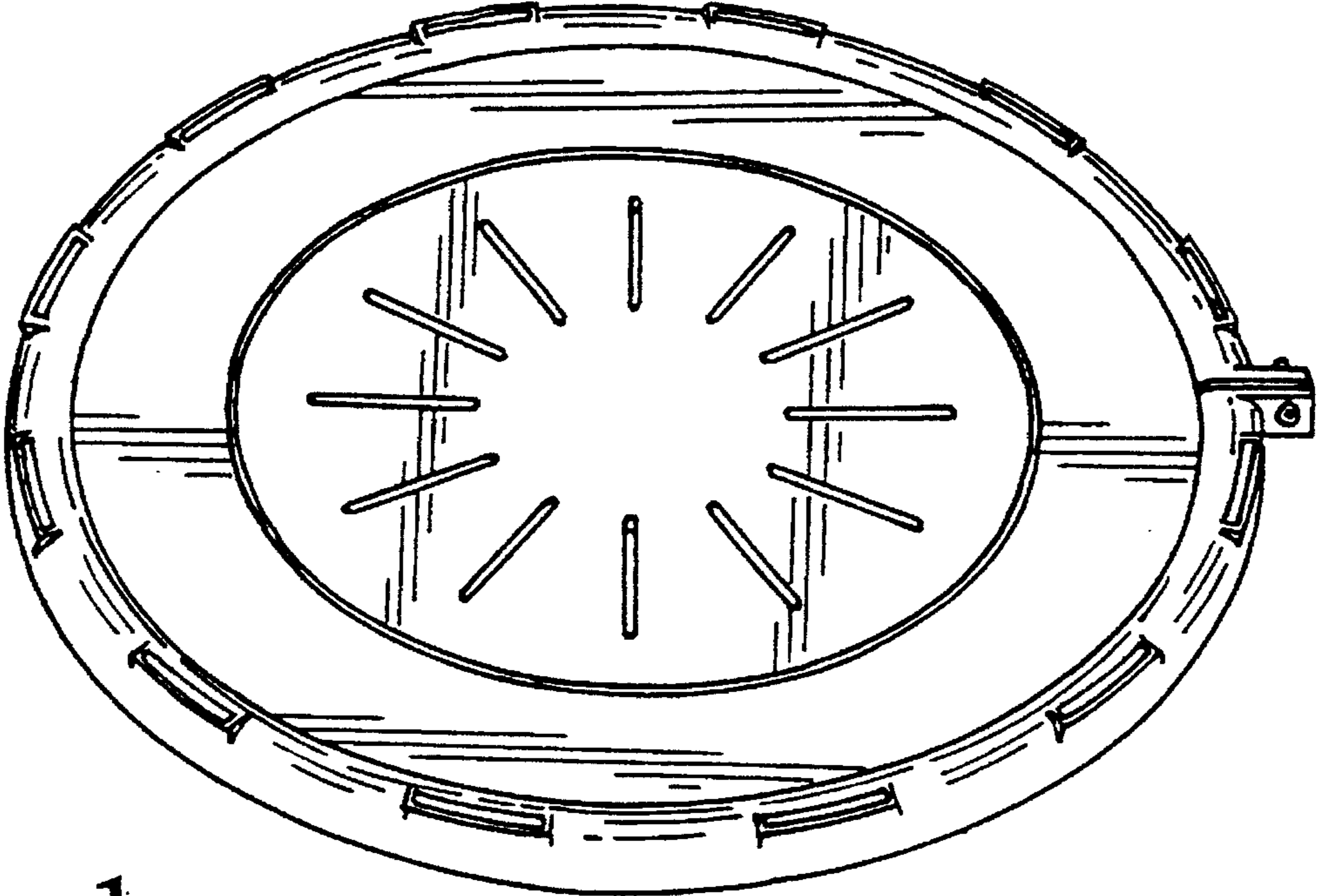


Fig. 1

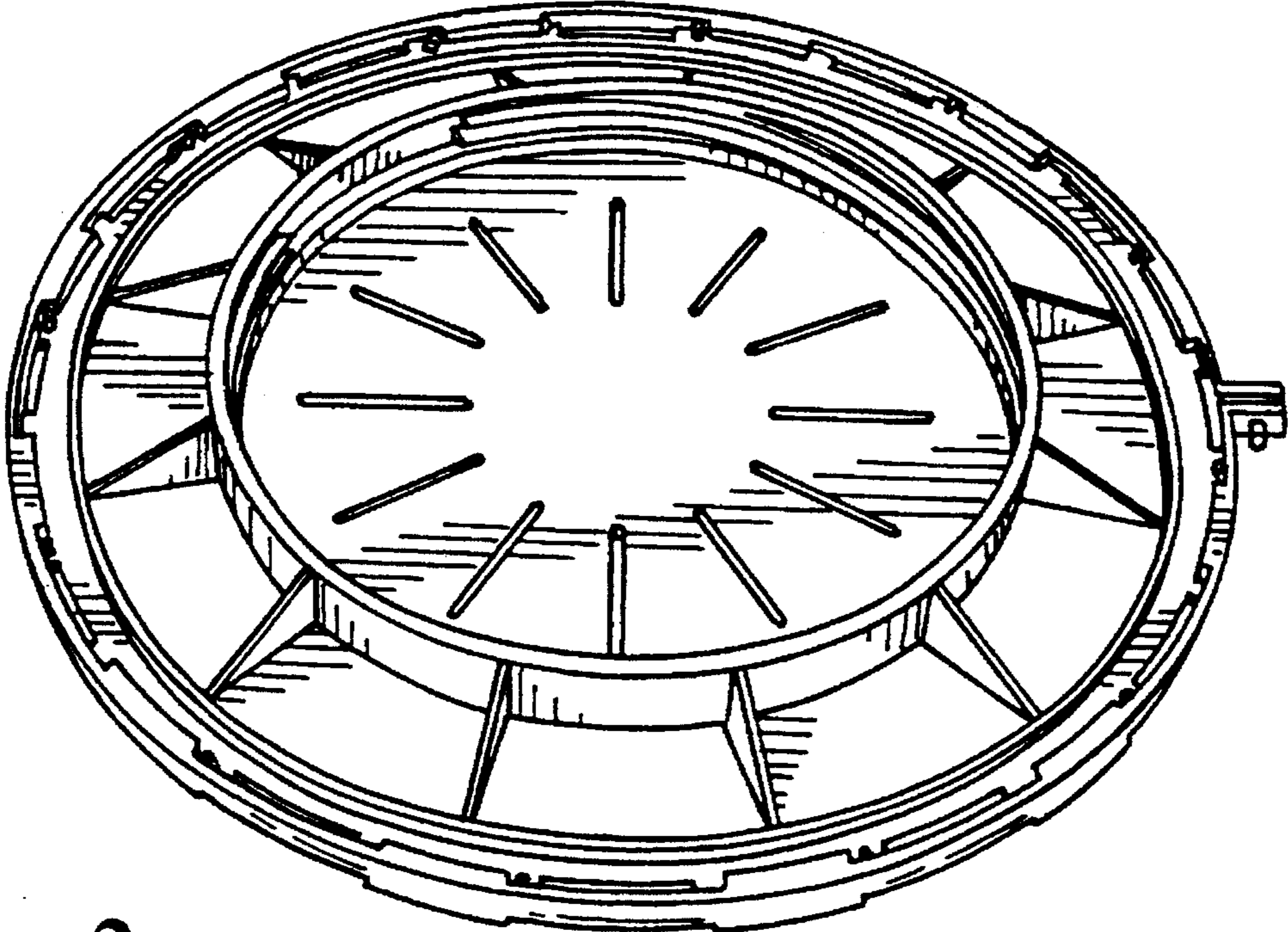


Fig. 2

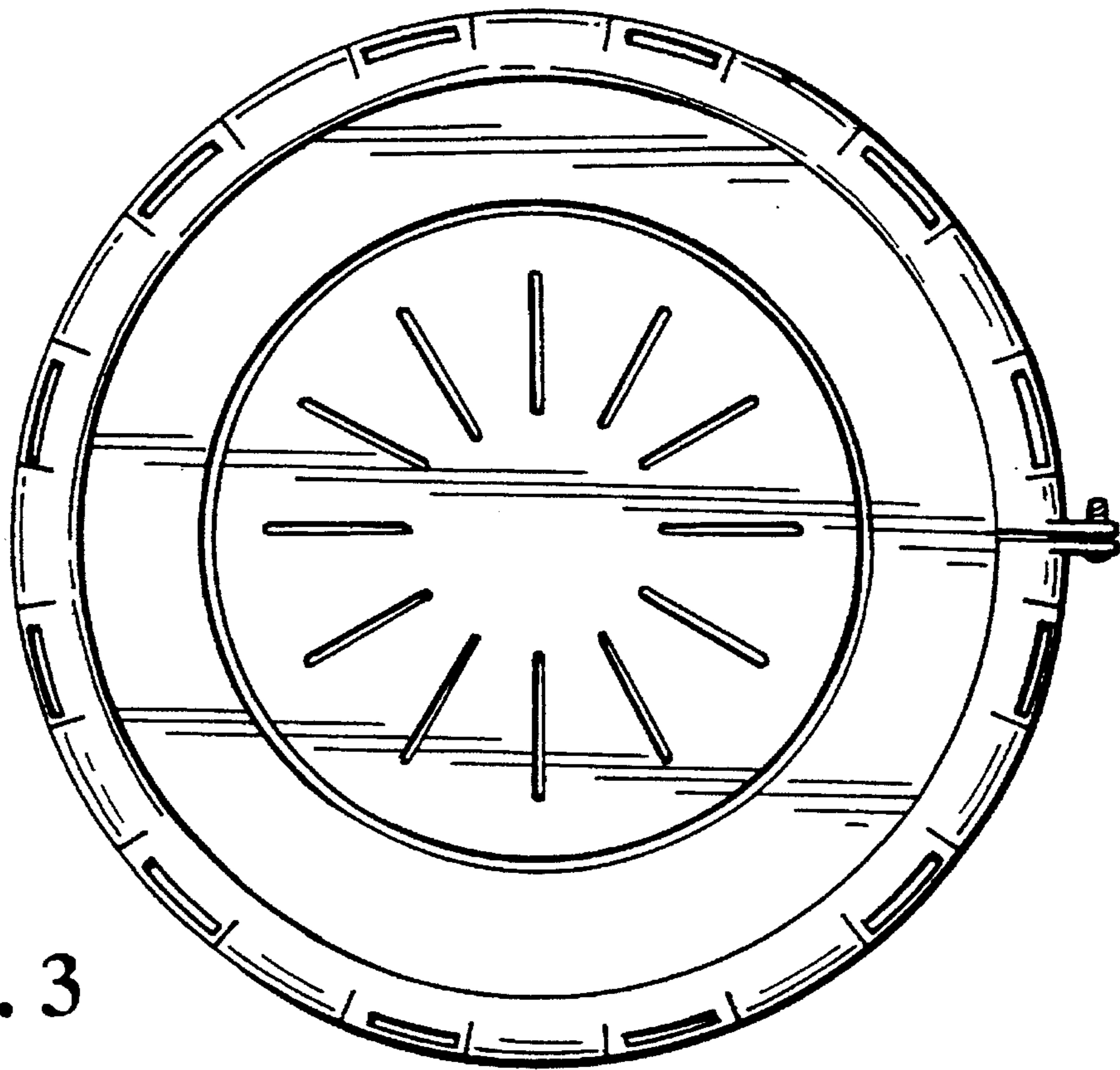


Fig. 3

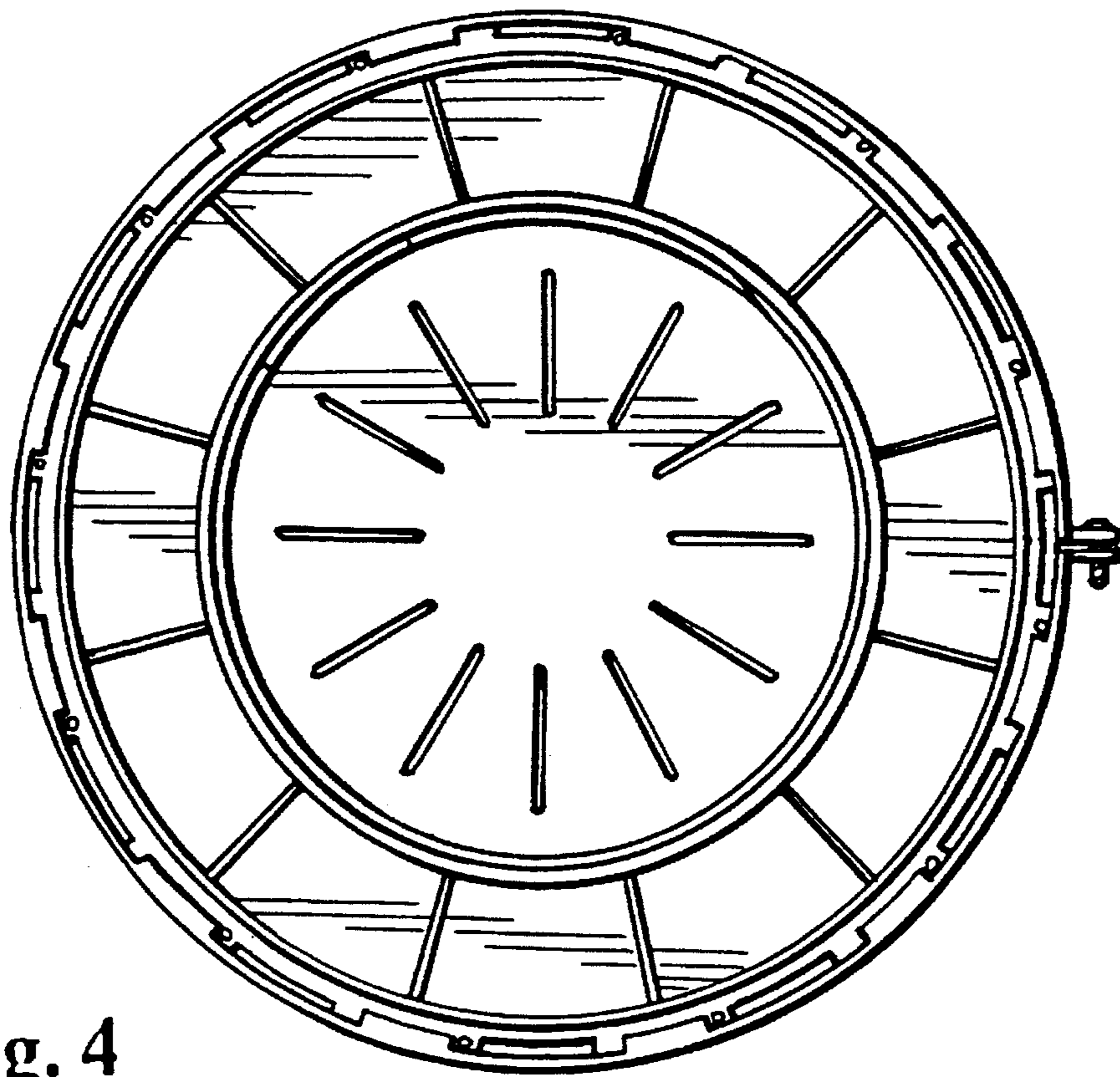


Fig. 4

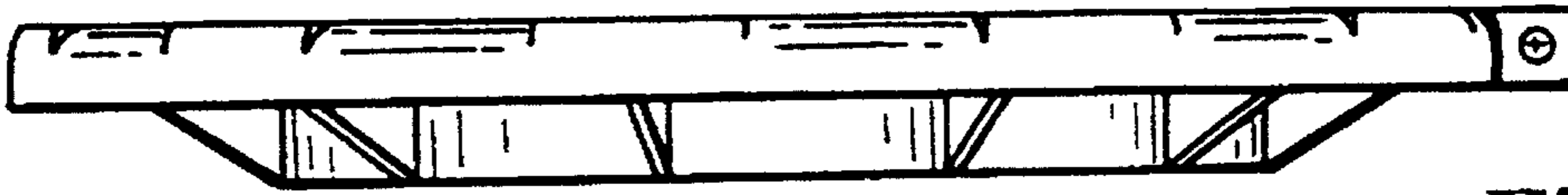


Fig. 5



Fig. 6



Fig. 7



Fig. 8