



US00D371179S

United States Patent [19] Park

[11] Patent Number: **Des. 371,179**

[45] Date of Patent: ****Jun. 25, 1996**

[54] **GOLF BALL DISPENSER**

4,575,092 3/1986 Watson 273/32 D X

[76] Inventor: **Sang Won Park**, 142-1 Garak-Dong,
Misung Apt 6-1106, Songpa-Ku, Seoul,
Rep. of Korea

Primary Examiner—Ted Shooman
Assistant Examiner—Cheri Cohen
Attorney, Agent, or Firm—Birch, Stewart, Kolasch & Birch

[**] Term: **14 Years**

[57] **CLAIM**

[21] Appl. No.: **29,012**

The ornamental design for a golf ball dispenser, as shown and described.

[22] Filed: **Sep. 27, 1994**

[52] U.S. Cl. **D21/208**

[58] Field of Search D21/234, 208;
273/201, 32 D; 224/918, 919

DESCRIPTION

FIG. 1 is a perspective view thereof;
FIG. 2 is a top plan view thereof;
FIG. 3 is a front elevational view thereof;
FIG. 4 is a left side elevational view thereof;
FIG. 5 is a right side elevational view thereof;
FIG. 6 is a rear elevational view thereof; and,
FIG. 7 is a sectional view taken along line 7—7 of FIG. 2.

[56] References Cited

U.S. PATENT DOCUMENTS

D. 291,342	8/1987	Turnidge et al.	D21/208
D. 344,996	3/1994	Nomura	D21/208
D. 348,497	7/1994	Tange	D21/208
D. 351,002	9/1994	Park	D21/234

1 Claim, 2 Drawing Sheets

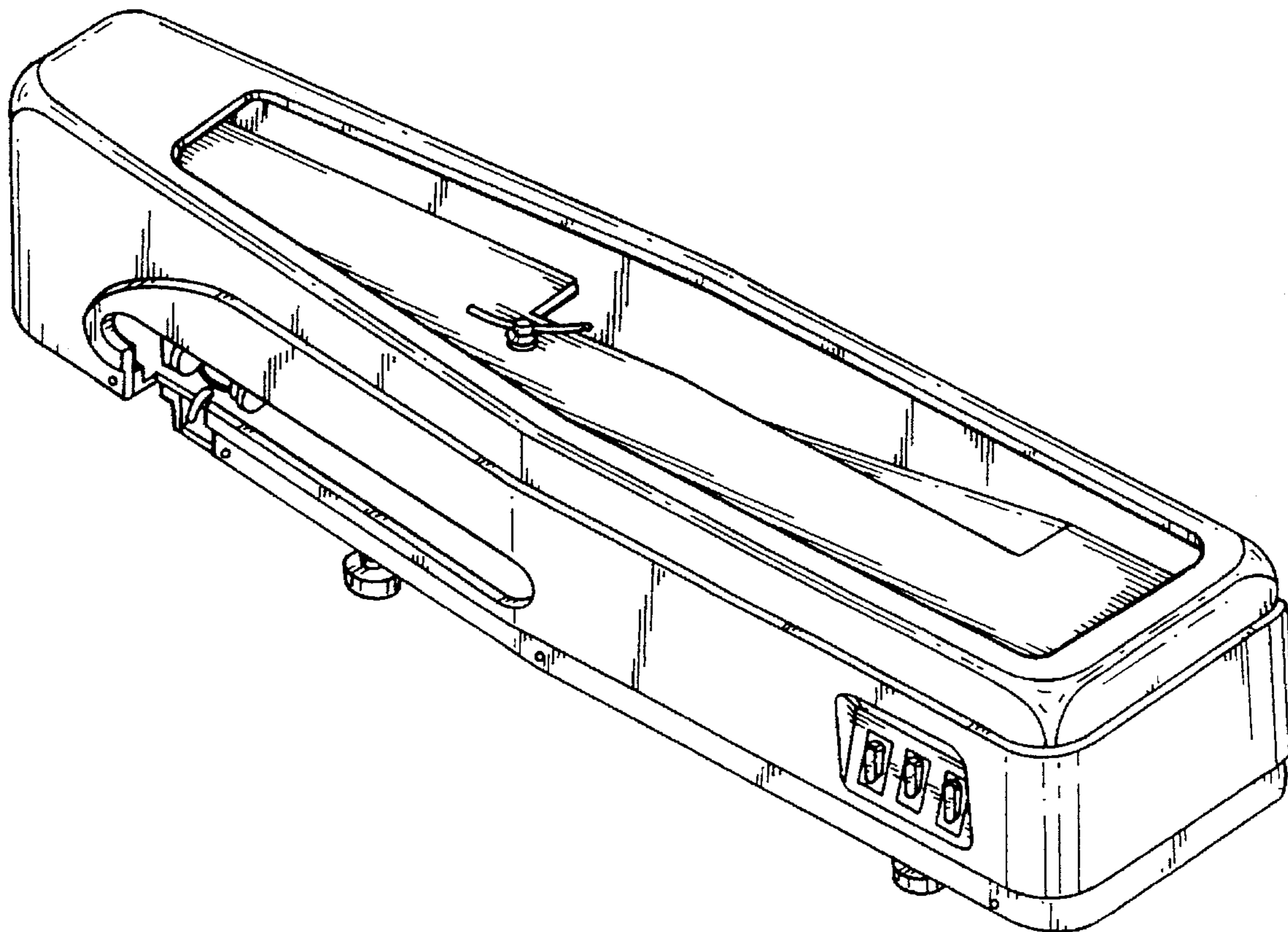


FIG. 1

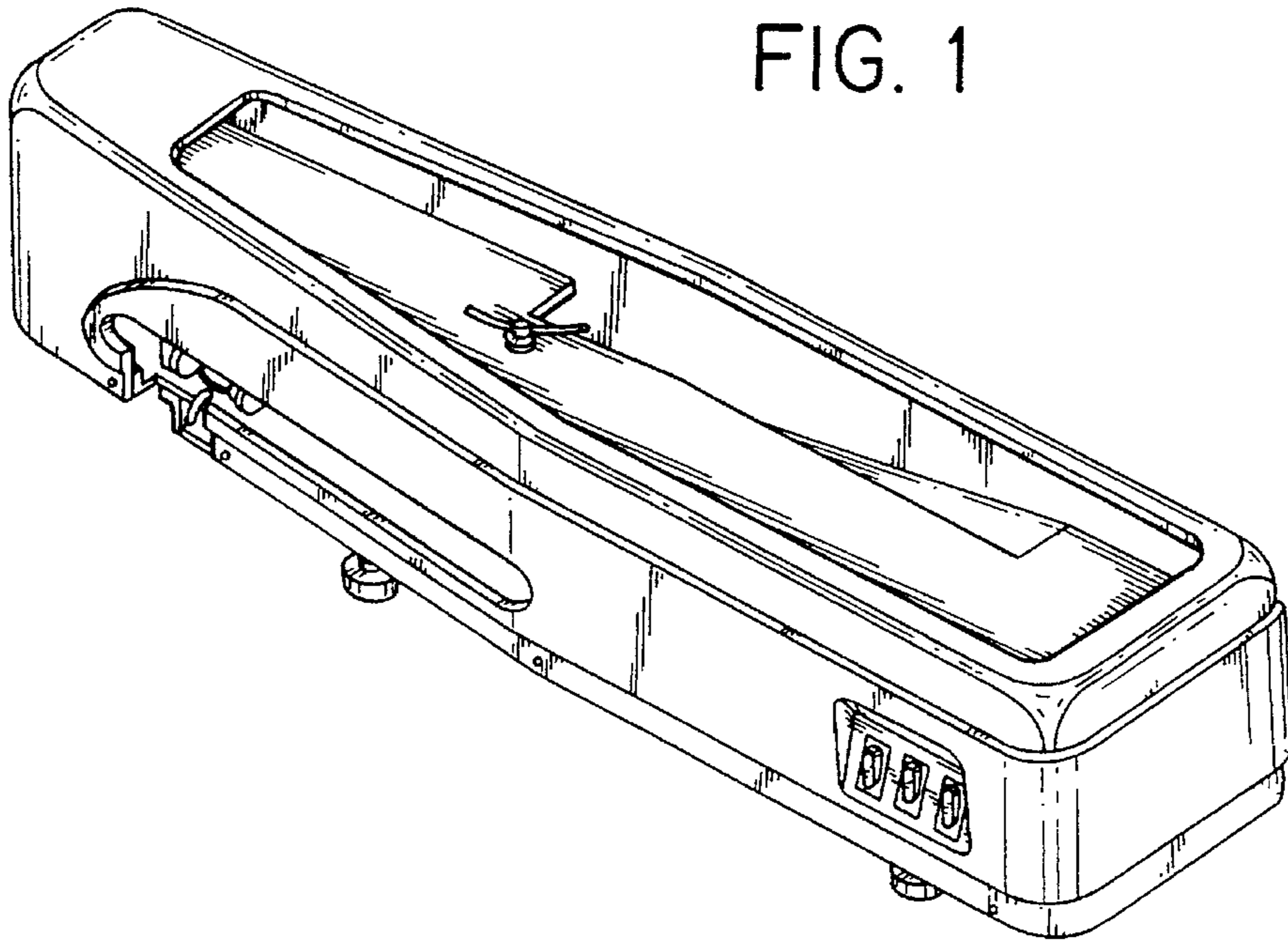


FIG. 2

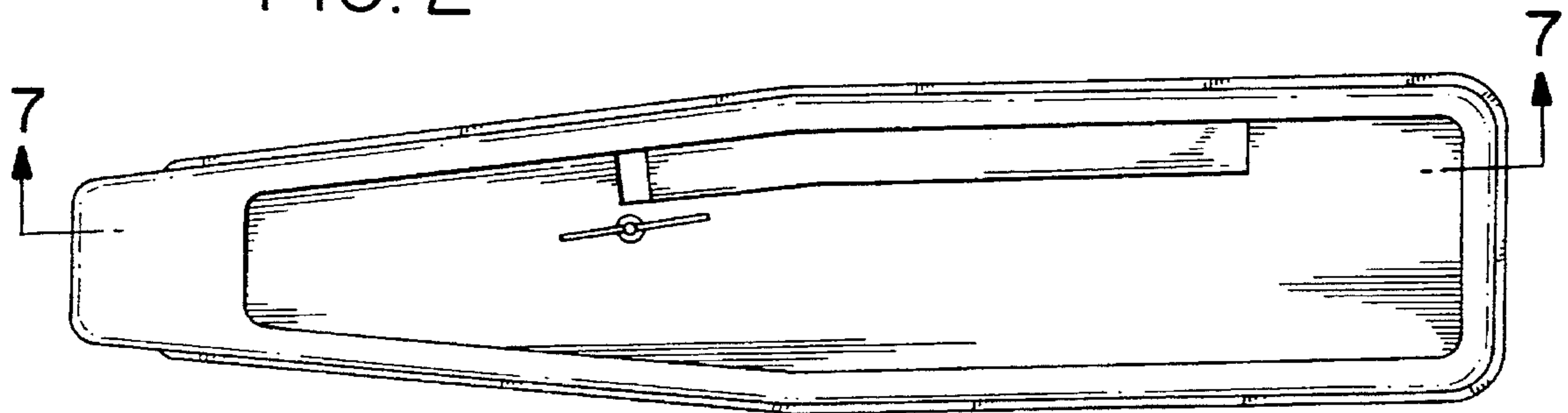


FIG. 3

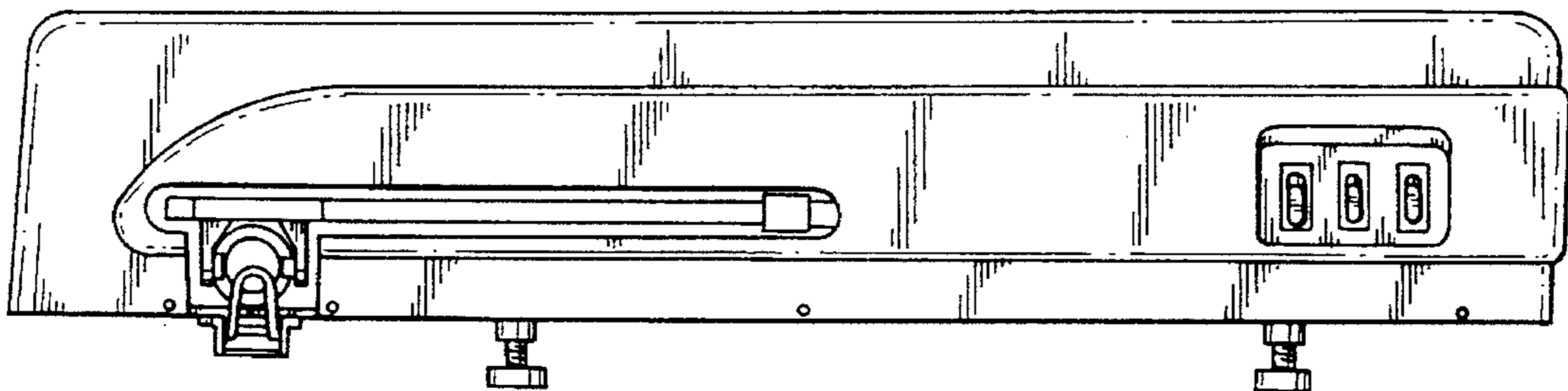


FIG. 4

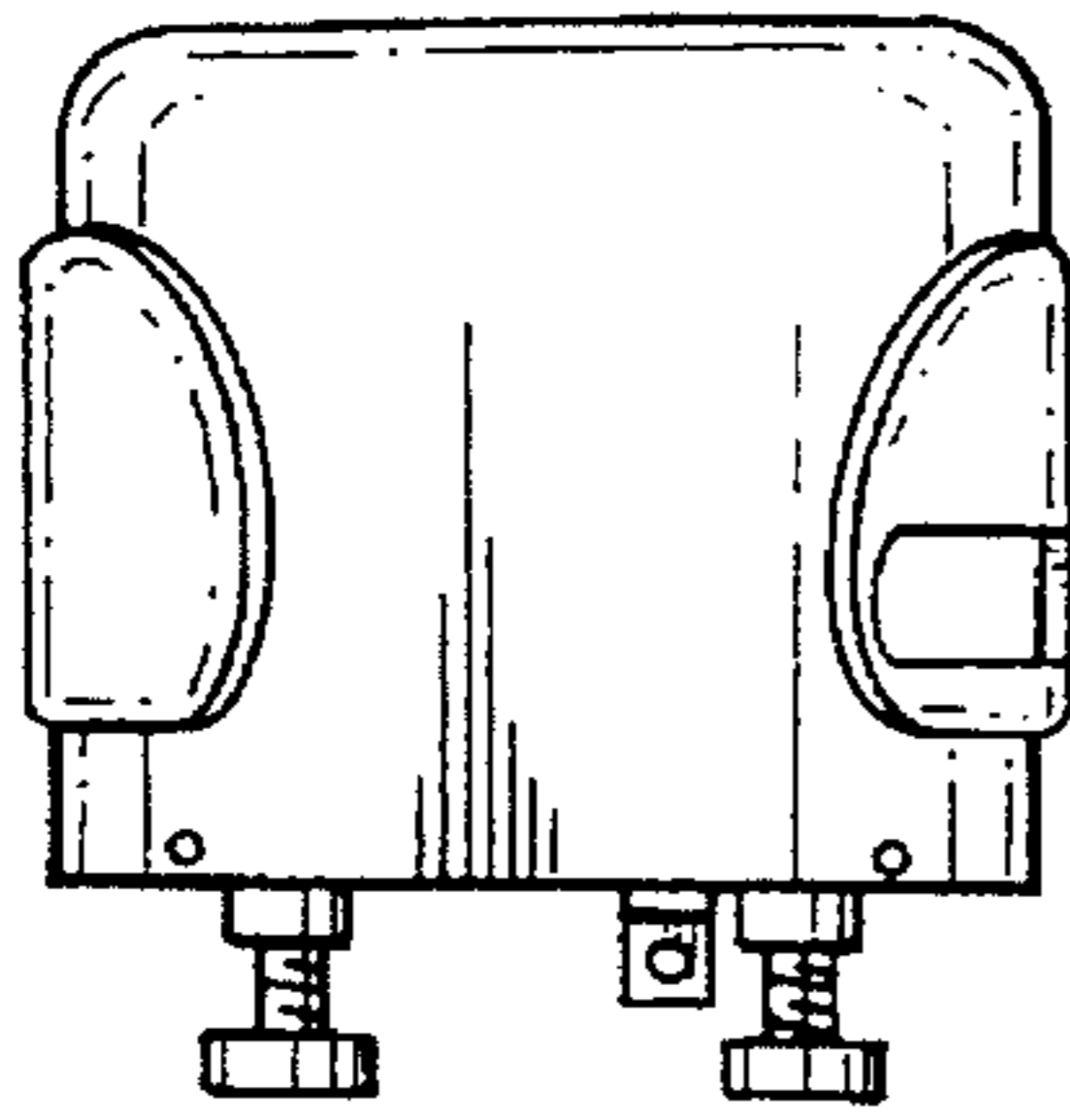


FIG. 5

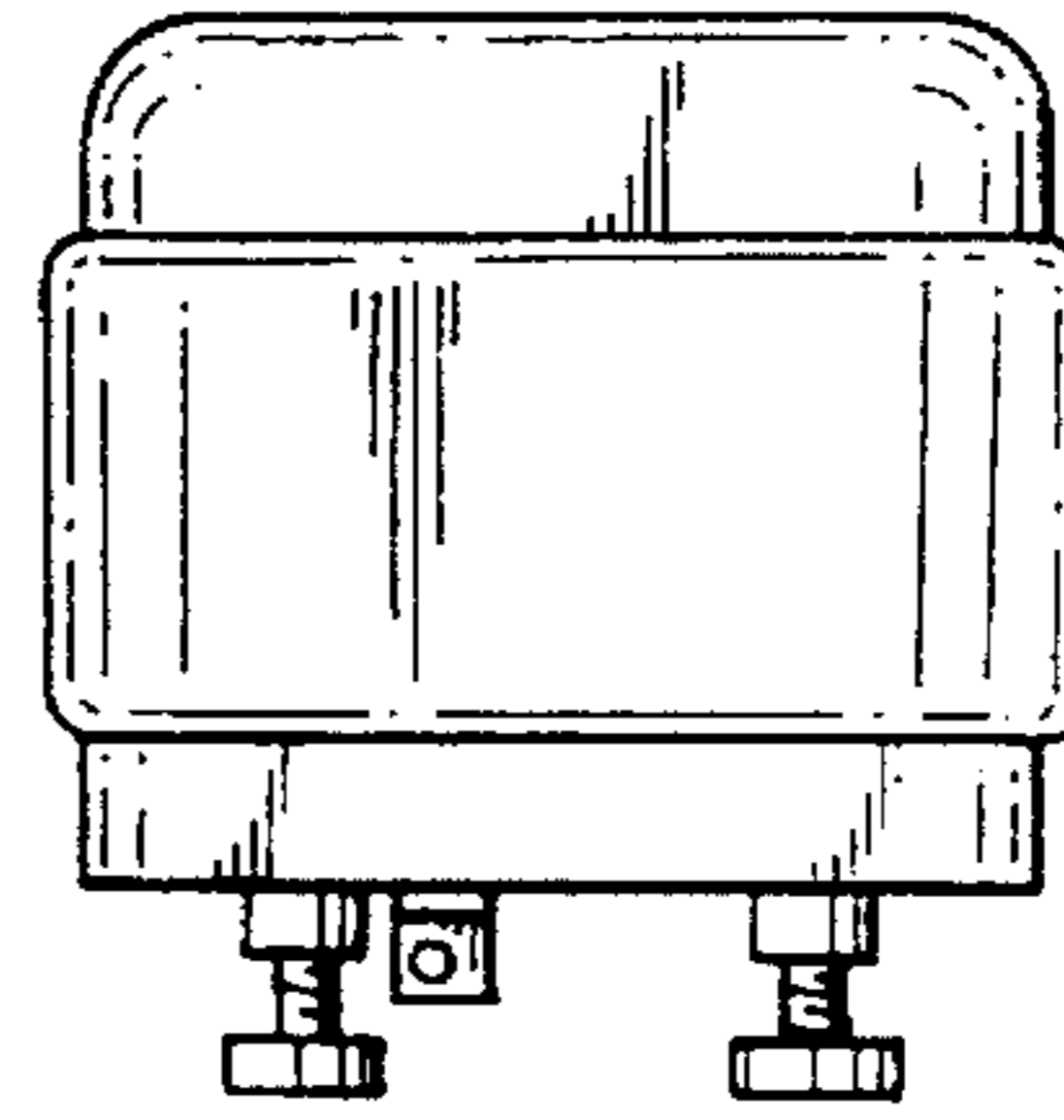


FIG. 6

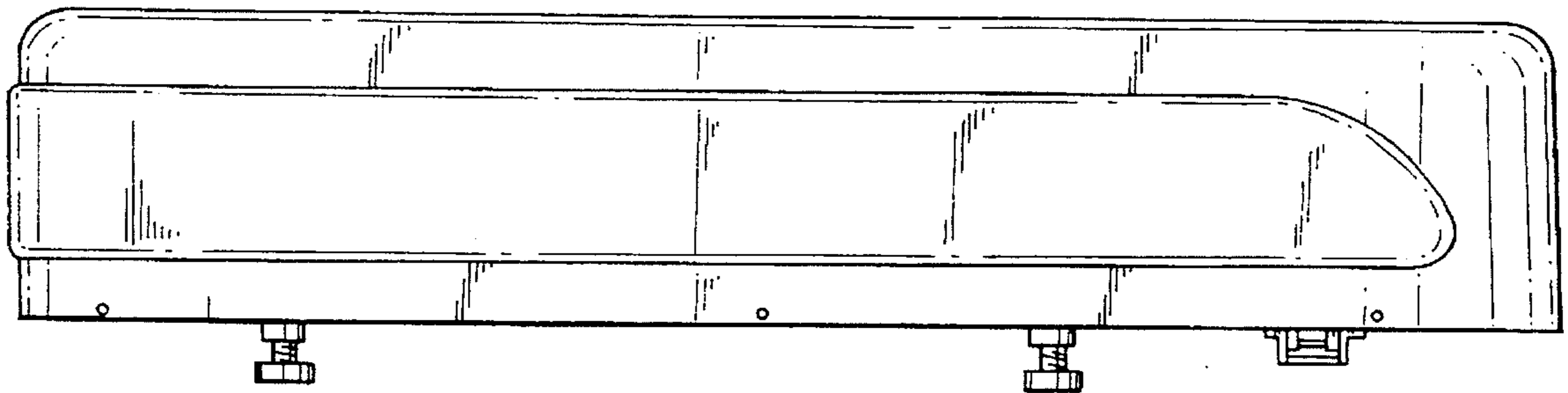


FIG. 7

